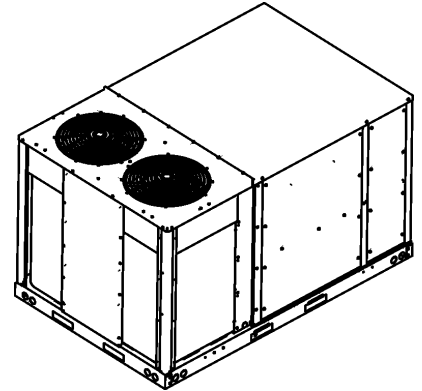


## DFH 7.5 Ton Package Heat Pump

DFH0903D000001SAA

DFH0904D000001SAA

DFH0907D000001SAA



This manual is to be used by qualified technicians only.

# Important Information

---

## Index

Functional Parts List .....	3
Illustration and Parts .....	4 - 15

*Views shown are for parts illustrations only, not servicing procedures.*

### Text Codes:

AR - As Required

NA - Not Available

NS - Not Shown

00000000 - See Note

QTY - Quantity Example (QTY 3) (If Quantity not shown, Quantity = 1)

M - Model Example (M1) (If M Code not shown, then part is used on all Models)

### Expanded Model Nomenclature:

Example
M1 - Model#1
M2 - Model#2
M3 - Model#3

Daikin Comfort Technologies Manufacturing , L.P. is not responsible for personal injury or property damage resulting from improper service. Review all service information before beginning repairs.

Warranty service must be performed by an authorized technician, using authorized factory parts. If service is required after the warranty expires, Daikin Comfort Technologies Manufacturing , L.P. also recommends contacting an authorized technician and using authorized factory parts.

Daikin Comfort Technologies Manufacturing , L.P. reserves the right to discontinue, or change at any time, specifications or designs without notice or without incurring obligations.

For assistance within the U.S.A. contact:  
Equipment Support  
Daikin Comfort Technologies Manufacturing , L.P.  
19001 Kermier Road  
Waller, Texas 77484  
855-770-5678-Telephone  
713-863-2382-Facsimile

For assistance outside the U.S.A. contact:  
International Division  
Daikin Comfort Technologies Manufacturing , L.P.  
19001 Kermier Road  
Waller, Texas 77484  
713-861-2500-Telephone  
713-863-2382-Facsimile

# Functional Parts

## Part

## No: Description:

---

B1226207	ACCUMULATOR (QTY 2)
0130M00249	AUXILLARY SWITCH (QTY 2)
0151L00181	BI FLOW VALVE TXV R410A (QTY 2)
0131L00175	BLOWER MOTOR 2.4 HP (M1)
0131L00176	BLOWER MOTOR 2.4 HP (M2)
0131L00177	BLOWER MOTOR 2.4 HP (M3)
CAP100000370LA	CAP, 10 MFD/370V/OVAL (QTY 2)
ZP39K5ETFD130	COMP, 39000, 460/60/3 (M2)
ZP39K5ETF5130	COMP, 39000,200/230/60/3 (M1)
ZP39K5ETFE130	Comp, 39000,575/60/3 (M3)
CONT2P025024V	CONT 2 POLE 25 AMP 24 VAC
CONT3P030024V	CONT, 3 POLE 30 AMP 24VAC (QTY 3)
0130M00198	CONTROL DEFROST (QTY 2)
0130L00296	CRANK CASE HEATER - 40W 240V (M1)
0130L00297	CRANK CASE HEATER - 40W 240V (M1)
0130L00298	CRANK CASE HEATER - 40W 480V (M2)
0130L00299	CRANK CASE HEATER - 40W 480V (M2)
0130L00301	CRANK CASE HEATER - 40W 575V (M3)
0130L00300	CRANK CASE HEATER - 40W 575V (M3)
0130M00178	DPDT RELAY 24VAC (QTY 7)
0162L00130	FILTER DRIER
0131M00930	Nidec Motor, 1/2 HP (M3)
0131M00926	Nidec Motor, 1/2 HP (M2)
0131M00925	Nidec Motor, 1/2 HP (M1)
PCBDM101	PCB DEFROST CONTROL
0131L00461	PROGRAMMED MOTOR CONTROLLER
0151R00071	REVERSING VALVE (QTY 2)
0130M00730	SWITCH, HIGH PRESSURE (QTY 2)
0130M00733	SWITCH, LOW PRESSURE (QTY 2)
B1370772	TIME DELAY ICM 180SEC DELA (QTY 2)
0130L00207	TRANSFORMER (M3)
0130L00206	TRANSFORMER (M2)
0130L00205	TRANSFORMER (M1)

### SPECIAL PARTS

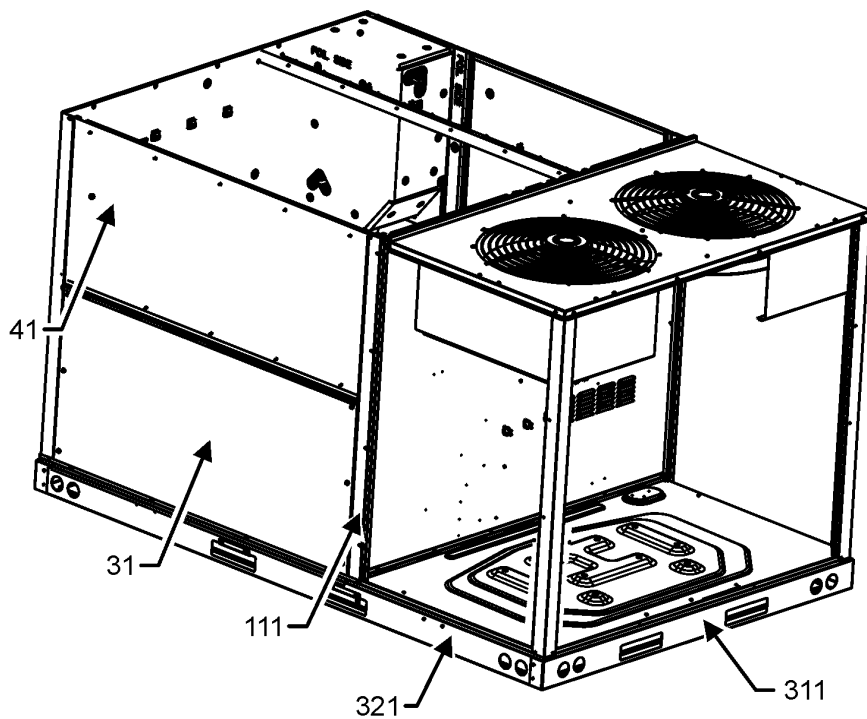
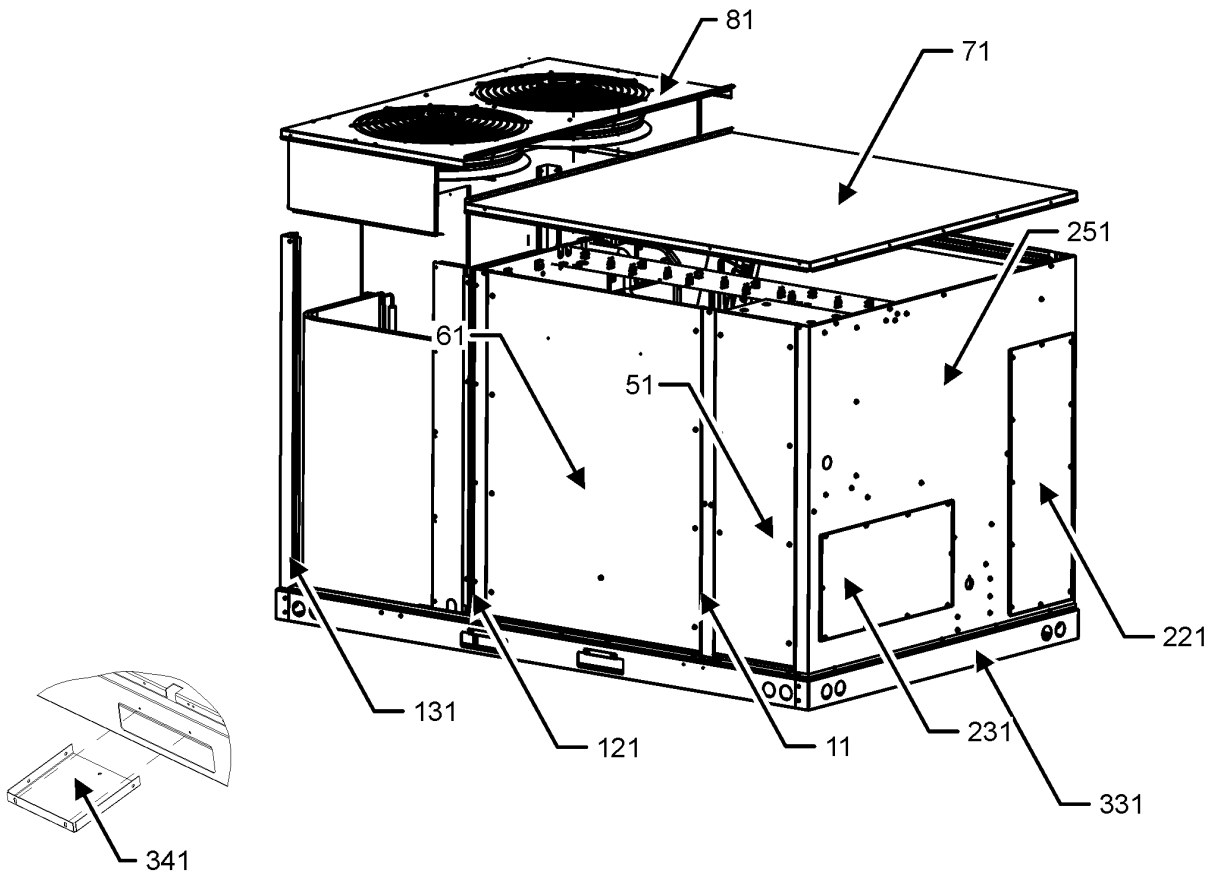
RP-FIOPM*	ACCESSORY RP MANUAL
RP-EHX(D/B)M*	HEATER KIT RP MANUAL
RP-EHS(D/B)M*	HEATER KIT RP MANUAL

### Expanded Model Nomenclature

M1 - DFH0903D000001SAA
M2 - DFH0904D000001SAA
M3 - DFH0907D000001SAA

# CABINET ASSEMBLY

## CABINET ASSEMBLY



CABINET ASSEMBLY  
MAY DIFFER FROM  
WHAT IS SHOWN

# CABINET ASSEMBLY

Ref. Part No: No:	Description:	Ref. Part No: No:	Description:
----------------------	--------------	----------------------	--------------

---

**Image 1:**

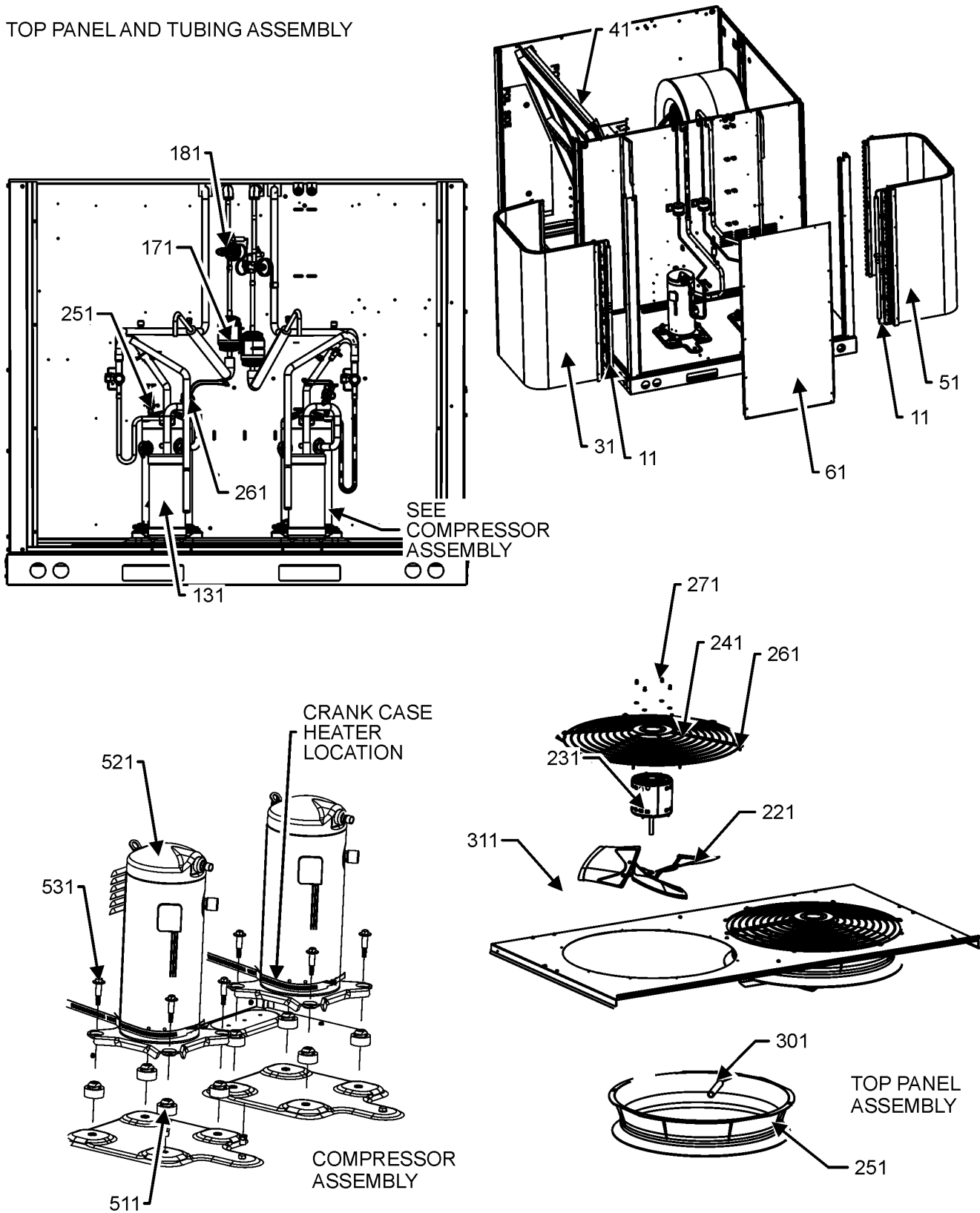
11	0121L04041SB	PAINTED, PANEL, SIDE POST
31	0121L04312SB	PAINTED, ECONOMIZER PANEL
41	0121L04447SB	PAINTED, PANEL, FILTER
51	0121L02952SB	PAINTED CONTROL PANEL
61	0121L03821SB	PAINTED BLOWER PANEL
71	0121L04551SB	PAINTED PANEL TOP INDOOR
81	0121L04721SB	PAINTED, PANEL TOP INDOOR
111	0121L03187SB	PAINTED, SIDE POST
121	0121L03469SB	PAINTED, SIDE POST
131	0121L04552SB	PAINTED, PANEL, CORNER POST (QTY 2)
221	0121L03508SB	PAINTED COVER DUCT RETURN
231	0121L02921SB	PAINTED COVER DUCT SUPPLY
251	0121L04550SB	PAINTED, PANEL DUCT
311	0121L04565	END RAIL
321	0121L04764	SIDE RAIL (QTY 2)
331	0121L04606	END RAIL
341	0121L03727	BRACKET-FORK BOARD (QTY 4)
NS	0141L00084	BOARD FORK (QTY 2)
NS	0121L04612SB	PAINTED COVER-DISC SWITCH
NS	0121L03958SB	PAINTED, DRAIN PAN COVER
NS	0121L03932SB	PNT, CONVENIENCE COVER LT COMM

**Expanded Model Nomenclature**

M1 - DFH0903D000001SAA
M2 - DFH0904D000001SAA
M3 - DFH0907D000001SAA

# TOP PANEL AND TUBING ASSEMBLY

## TOP PANEL AND TUBING ASSEMBLY



TOP PANEL AND TUBING ASSEMBLY MAY DIFFER FROM WHAT IS SHOWN

# TOP PANEL AND TUBING ASSEMBLY

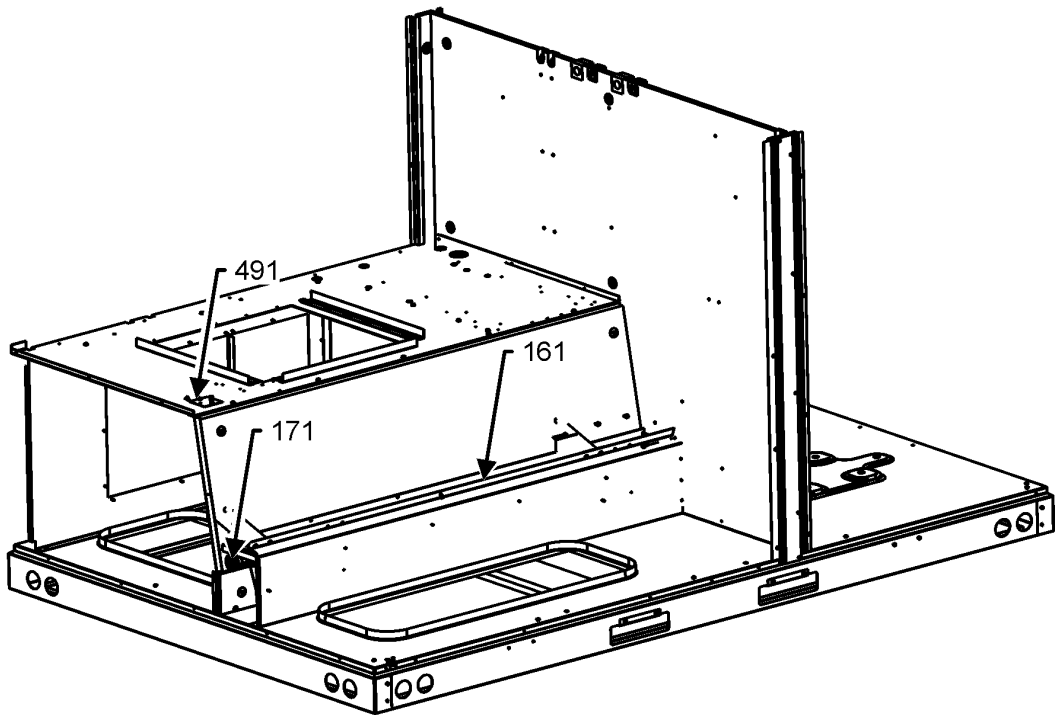
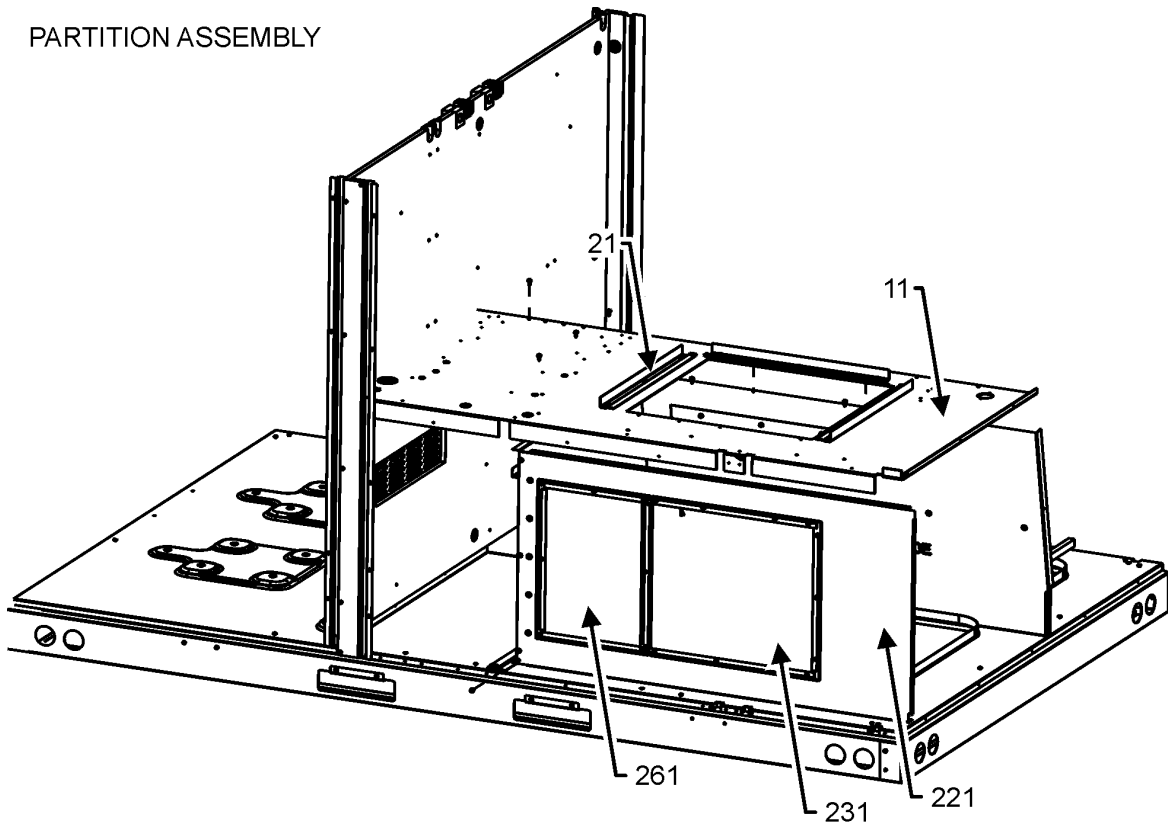
Ref. Part No:	Part No:	Description:	Ref. Part No:	Part No:	Description:
<b>Image 1:</b>					
11	0130M00198	CONTROL DEFROST (QTY 2)			
31	0201L00940	ASSY., COND COIL ,BENT C1			
41	0202L00598	ASSY., EVAP COIL			
51	0201L00941	ASSY., COND COIL ,BENT C2			
61	0121L04874SB	COVER COND COIL			
131	B1226207	ACCUMULATOR (QTY 2)			
151	0130M00730	SWITCH, HIGH PRESSURE (QTY 2)			
161	0130M00733	SWITCH, LOW PRESSURE (QTY 2)			
171	0162L00130	FILTER DRIER			
181	0151L00181	BI FLOW VALVE TXV R410A (QTY 2)			
221	0150M00075	FAN BLADE, 22" (QTY 2)			
231	0131M00925	Nidec Motor, 1/2 HP (M1)			
231	0131M00926	Nidec Motor, 1/2 HP (M2)			
231	0131M00930	Nidec Motor, 1/2 HP (M3)			
241	0152G00000	FAN GRILLE, RAISED (QTY 2)			
251	0161R00048	MOLDED RING VENTURI 22 (QTY 2)			
261	0163M00004	SCREW #10X3/4 BLK (QTY 16)			
271	0163M00006P	NUT, ACORN 5/16 HEX BLACK (QTY 8)			
301	0161R00003P	CONDUIT (QTY 2)			
311	0121L04721SB	PAINTED, PANEL TOP INDOOR			
371	0121L04115	CHANNEL, BASEPAN			
511	B1339533	GROMMET, COMPRESSOR (QTY 8)			
521	ZP39K5ETFD130	COMP, 39000, 460/60/3 (M2)			
521	ZP39K5ETF5130	COMP, 39000,200/230/60/3 (M1)			
521	ZP39K5ETFE130	Comp, 39000,575/60/3 (M3)			
531	B1393740	COMP BOLT & SLEEVE (QTY 8)			
NS	B1373315	ACCESS FITTING (QTY 6)			
NS	0160L00137	AIR FILTER (QTY 2)			
NS	0160L00267	AIR FILTER (QTY 2)			
NS	0130L00296	CRANK CASE HEATER - 40W 240V (M1)			
NS	0130L00297	CRANK CASE HEATER - 40W 240V (M1)			
NS	0130L00298	CRANK CASE HEATER - 40W 480V (M2)			
NS	0130L00299	CRANK CASE HEATER - 40W 480V (M2)			
NS	0130L00300	CRANK CASE HEATER - 40W 575V (M3)			
NS	0130L00301	CRANK CASE HEATER - 40W 575V (M3)			
NS	20333401	GROMMET-HORSESHOE (QTY 2)			
NS	0159L00066	HARNESS, COMP SCROLL			
NS	0159L00153	HARNESS, COMP SCROLL			
NS	0151R00071	REVERSING VALVE (QTY 2)			
NS	0151M00104	VALVE CORE (QTY 4)			
NS	M0272803	WASHER LOCK (QTY 4)			
NS	0163M00005P	WASHER, BLACK .50OD.218ID (QTY 8)			

## Expanded Model Nomenclature

M1 - DFH0903D000001SAA
M2 - DFH0904D000001SAA
M3 - DFH0907D000001SAA

# PARTITION ASSEMBLY

PARTITION ASSEMBLY



PARTITION ASSEMBLY MAY DIFFER FROM WHAT IS SHOWN



# PARTITION ASSEMBLY

Ref. Part No:	No:	Description:	Ref. Part No:	No:	Description:
---------------	-----	--------------	---------------	-----	--------------

---

**Image 1:**

11	0121L04139	BLOWER DECK
21	0121L02651	BLOWER SLIDE PLATE (QTY 3)
161	0161L00002	DRAIN PAN EVAP 7TO12
171	0154L00180	GASKET, DRAIN PAN
221	0121L04010	PANEL FRONT, EHK
231	0121L03965	PNL, COVER EHK
261	0121L03458	PANEL EHK BLOCK OFF
491	0121L00321	COVER SMOKE DETECTOR
NS	B1392016	OPEN/CLOSE BUSHING 1.5
NS	0121L03958SB	PAINTED, DRAIN PAN COVER
NS	0161L00012	PLUG DRAIN PAN

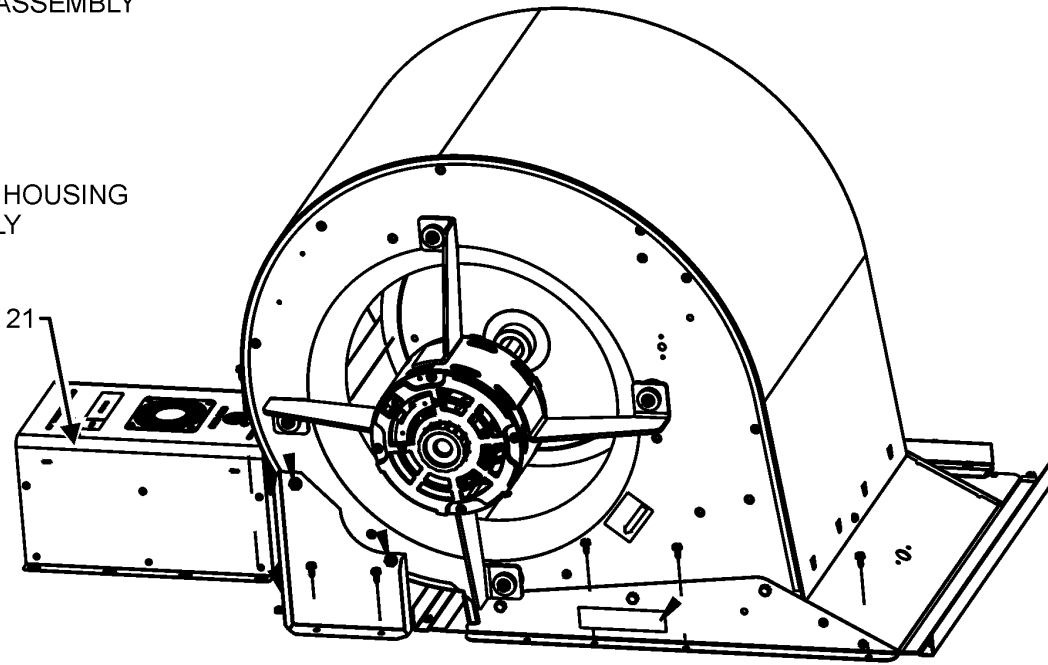
**Expanded Model Nomenclature**

M1 - DFH0903D000001SAA
M2 - DFH0904D000001SAA
M3 - DFH0907D000001SAA

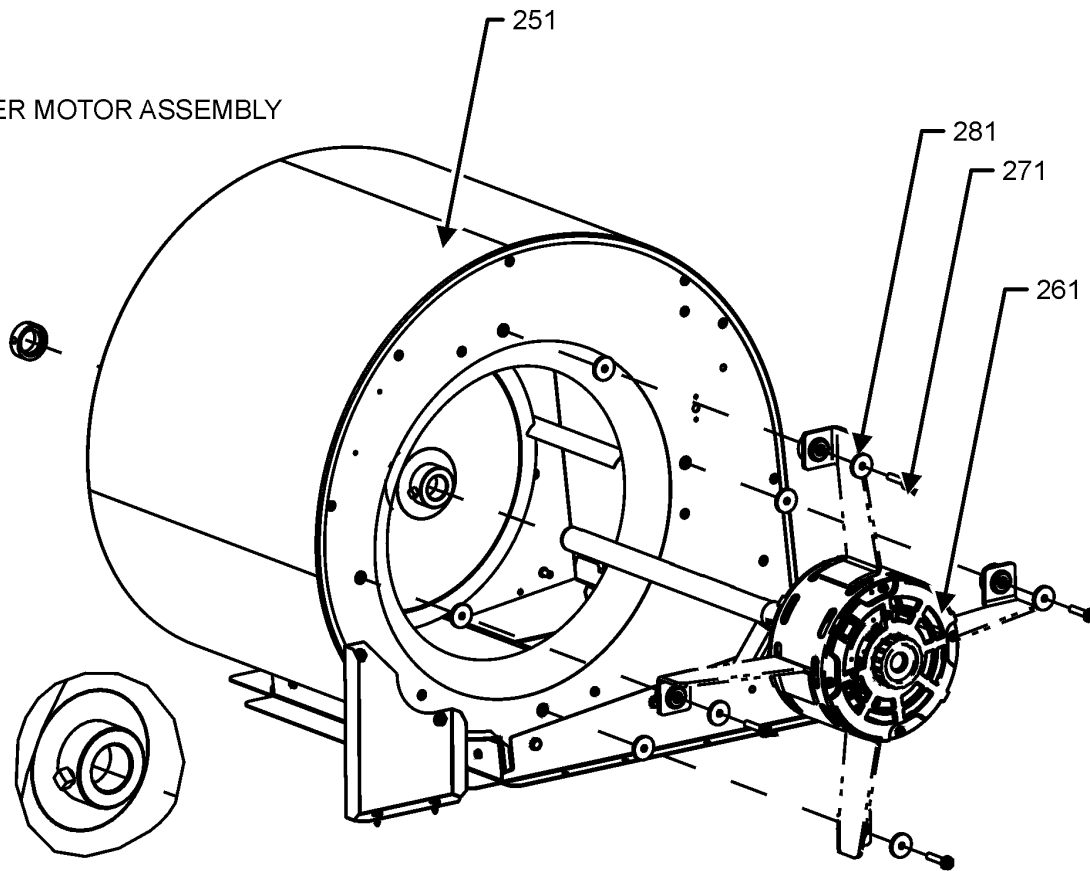
# BLOWER ASSEMBLY

BLOWER ASSEMBLY

BLOWER HOUSING ASSEMBLY



BLOWER MOTOR ASSEMBLY



BLOWER ASSEMBLY MAY DIFFER FROM WHAT IS SHOWN

# BLOWER ASSEMBLY

Ref. Part No:	No:	Description:	Ref. Part No:	No:	Description:
---------------	-----	--------------	---------------	-----	--------------

---

**Image 1:**

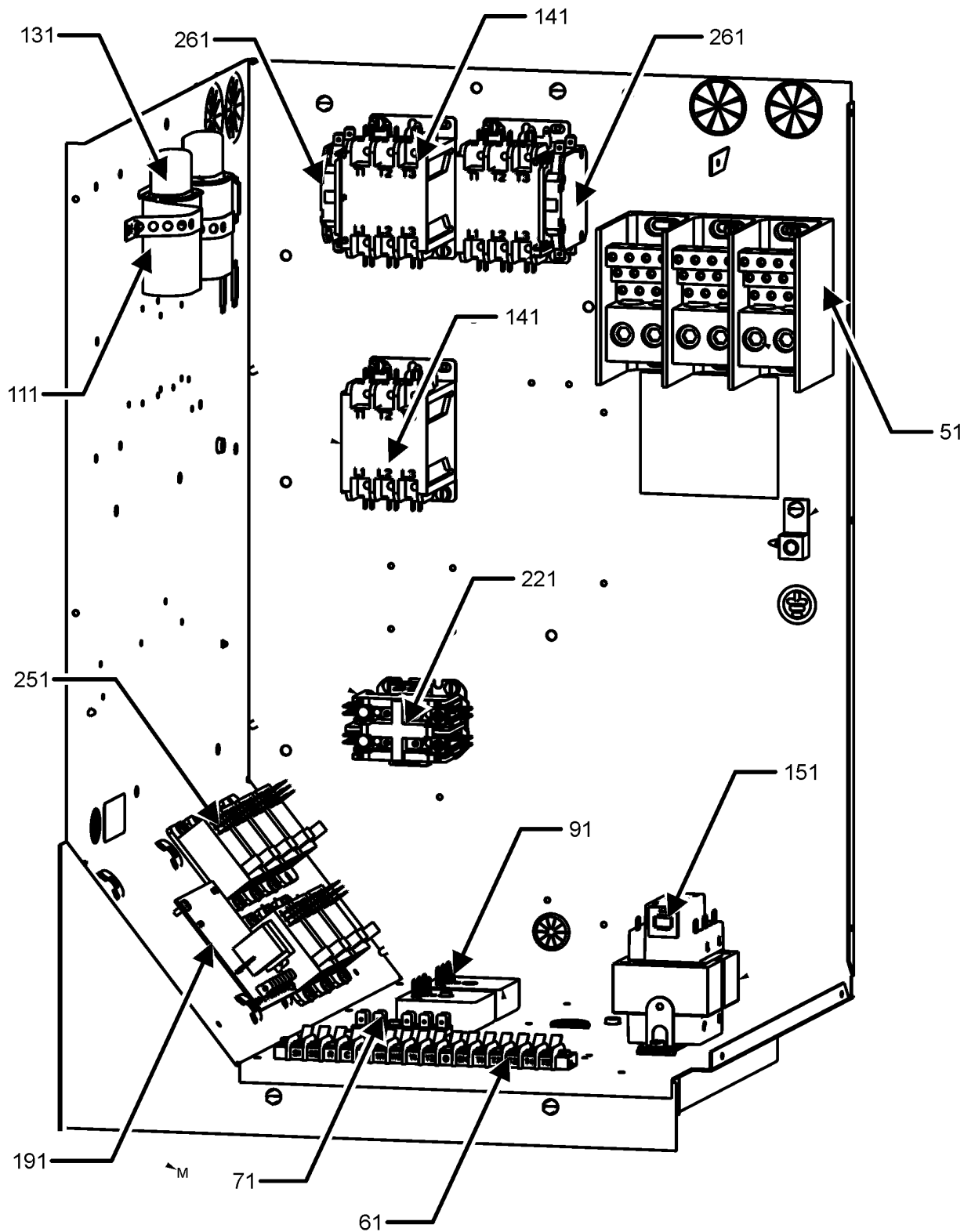
21	0131L00461	PROGRAMMED MOTOR CONTROLLER
251	0271L00148	ASSY, BLOWER PURCHASED 16X18 (M3)
261	0131L00175	BLOWER MOTOR 2.4 HP (M1)
261	0131L00176	BLOWER MOTOR 2.4 HP (M2)
261	0131L00177	BLOWER MOTOR 2.4 HP (M3)
271	M0250565	SCREW-TC 1.25" (QTY 4)
281	B1392918	WASHER FLAT 1/4IDX1OD (QTY 8)

**Expanded Model Nomenclature**

M1 - DFH0903D000001SAA
M2 - DFH0904D000001SAA
M3 - DFH0907D000001SAA

# CONTROL BOX ASSEMBLY

## CONTROL BOX ASSEMBLY



CONTROL BOX ASSEMBLY MAY DIFFER FROM WHAT IS SHOWN

# CONTROL BOX ASSEMBLY

Ref. Part No:	No:	Description:	Ref. Part No:	No:	Description:
---------------	-----	--------------	---------------	-----	--------------

---

**Image 1:**

51	0130L00217	POWER,BLOCK
61	0130M00038	TERMINAL BOARD
71	802007090	TERM BOARD
91	B1370772	TIME DELAY ICM 180SEC DELA (QTY 2)
111	CAP100000370LA	CAP, 10 MFD/370V/OVAL (QTY 2)
131	0164M00127	BOOT, CAPACITOR (QTY 2)
141	CONT3P030024V	CONT, 3 POLE 30 AMP 24VAC (QTY 3)
151	0130L00205	TRANSFORMER (M1)
151	0130L00206	TRANSFORMER (M2)
151	0130L00207	TRANSFORMER (M3)
191	PCBDM101	PCB DEFROST CONTROL
221	CONT2P025024V	CONT 2 POLE 25 AMP 24 VAC
251	0130M00178	DPDT RELAY 24VAC (QTY 7)
261	0130M00249	AUXILLARY SWITCH (QTY 2)
NS	20520901	STRAP-CAPACITOR (QTY 7)

**Expanded Model Nomenclature**

M1 - DFH0903D000001SAA
M2 - DFH0904D000001SAA
M3 - DFH0907D000001SAA

# ACCESSORY PARTS LIST

NOTE: NOT ALL OPTIONS AVAILABLE FOR ALL PRODUCTS

FOR ACCESSORY PARTS SEE THE FOLLOWING PART MANUAL

## RP-FIOPMC

Ref. Part No:	Part No:	Description:	Ref. Part No:	Part No:	Description:
---------------	----------	--------------	---------------	----------	--------------

**Image 1:**

NS	RP-FIOPM*	ACCESSORY RP MANUAL
NS	RP-EHS(D/B)M*	HEATER KIT RP MANUAL
NS	RP-EH(D/B)M*	HEATER KIT RP MANUAL

**Expanded Model Nomenclature**

- M1 - DFH0903D000001SAA
- M2 - DFH0904D000001SAA
- M3 - DFH0907D000001SAA