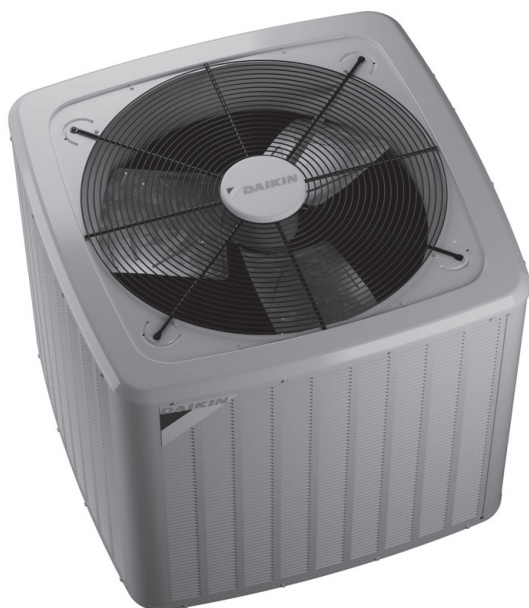


SPLIT-SYSTEM HEAT PUMP
UP TO 14.3 SEER2 AND 7.5 HSPF2
1 ½ TO 5 TONS



■ Contents	
Nomenclature.....	2
Product Specifications.....	3
Expanded Cooling Data.....	4
Expanded Heating Data.....	18
Performance Data.....	20
AHRI Ratings (see note).....	21
Dimensions.....	22
Wiring Diagrams.....	23
Accessories.....	26

■ **Standard Features**

- High-efficiency Copeland® scroll compressor
- Advanced Copeland® CoreSense™ technology
- Copper tube/enhanced aluminum fin coil- 5mm diameter on 1.5-3.5T
- High density foam compressor sound blanket
- Time-delay technology to ensure quiet reliable defrost
- Factory-installed bi-flow liquid line filter drier
- Factory-installed suction line accumulator
- Factory-installed compressor crank case heater
- Factory-installed high capacity muffler
- High- and low-pressure switches
- Service valves with sweat connections and easy access to gauge ports
- Fully charged for 15' of tubing length
- AHRI Certified; ETL Listed

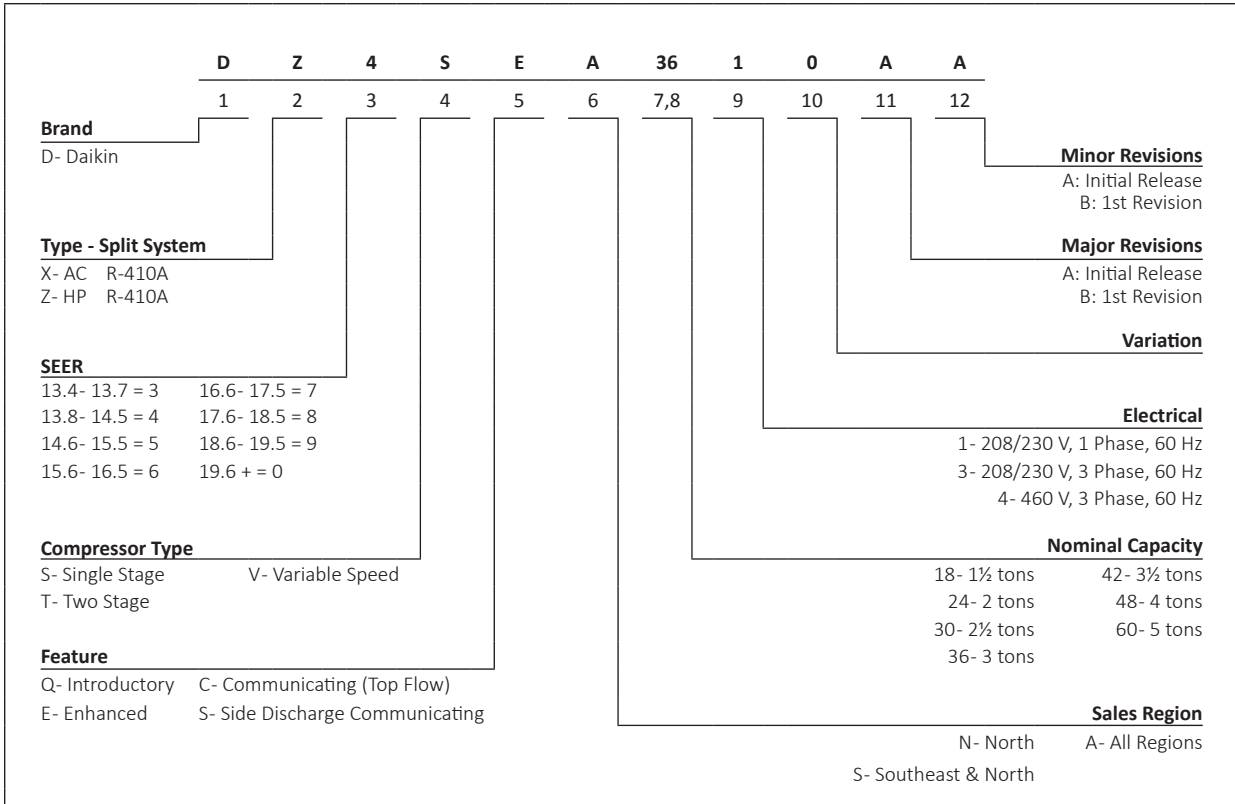
■ **Cabinet Features**

- Removable grille-style top design compliant with UL 60335-2-40
- Venturi for increased velocity of airflow
- Custom Nickel Gray powder-paint finish
- 500-hour salt-spray tested
- Wire fan discharge grille
- Steel louver coil guard
- Rust-resistant screws
- Top and side maintenance access
- Single-panel access to controls with space provided for field-installed accessories
- When properly anchored, meets the 2020 Florida Building Code unit integrity requirements for hurricane-type winds (Anchor bracket kits available.)



* Complete warranty details available from your local dealer or at www.daikincomfort.com. To receive the 6-Year Unit Replacement Limited Warranty and 12-Year Parts Limited Warranty, online registration must be completed within 60 days of installation. Additional requirements for annual maintenance are required for the Unit Replacement Limited Warranty. Online registration and some of the additional requirements are not required in California or Quebec. The duration of warranty coverages in Texas differs in some cases.

NOMENCLATURE



	DZ4SE A1810A*	DZ4SE A2410A*	DZ4SE A3010A*	DZ4SE A3610A*	DZ4SE A4210A*	DZ4SE A4810A*	DZ4SE A6010A*
NOMINAL CAPACITIES							
Cooling (BTU/h)	18,000	24,000	30,000	36,000	42,000	48,000	60,000
Heating (BTU/h)	18,000	24,000	30,000	36,000	42,000	48,000	60,000
Decibels	68	72	75	72	75	74	75
COMPRESSOR							
RLA	9.0	11.5	14.1	16.0	17.7	19.9	25.6
LRA	42.6	59.5	67.9	91.9	110.2	110.0	150.0
Stage	Single	Single	Single	Single	Single	Single	Single
Type	Scroll	Scroll	Scroll	Scroll	Scroll	Scroll	Scroll
CONDENSER FAN MOTOR							
Motor Type	PSC	PSC	PSC	PSC	PSC	PSC	PSC
Horsepower	1/6	1/6	1/6	1/6	1/4	1/4	1/4
FLA	0.95	0.95	0.95	0.97	1.3	1.3	1.3
REFRIGERATION SYSTEM							
Refrigerant Line Size ¹							
Liquid Line Size ("O.D.)	3/8"	3/8"	3/8"	3/8"	3/8"	3/8"	3/8"
Suction Line Size ("O.D.)	3/4"	3/4"	3/4"	7/8"	1 1/8"	1 1/8"	1 1/8"
Refrigerant Connection Size							
Liquid Valve Size ("O.D.)	3/8"	3/8"	3/8"	3/8"	3/8"	3/8"	3/8"
Suction Valve Size ("O.D.) ^{2, 3}	3/4"	3/4"	3/4"	7/8"	7/8"	7/8"	7/8"
Valve Connection Type	Sweat	Sweat	Sweat	Sweat	Sweat	Sweat	Sweat
Refrigerant Charge ⁴	94	86	94	114	167	222	269
ELETRICAL DATA							
Voltage (60 Hz)	208/230	208/230	208/230	208/230	208/230	208/230	208/230
Minimum Circuit Ampacity ⁵	12.2	15.3	18.6	21	23.4	26.2	33.3
Max. Overcurrent Protection ⁶	20	25	30	35	40	45	50
Min / Max Volts	197/253	197/253	197/253	197/253	197/253	197/253	197/253
Electrical Conduit Size	1/2" or 3/4"	1/2" or 3/4"	1/2" or 3/4"	1/2" or 3/4"	1/2" or 3/4"	1/2" or 3/4"	1/2" or 3/4"
UNIT WEIGHTS							
Equipment Weight	164	164	175	214	264	272	305
Shipping Weight	179	179	190	234	284	292	325

¹ Line sizes denoted for 25' line sets, tested and rated in accordance with ARI Standard 210/240. For other line set lengths or sizes, refer to the Installation Instructions and/or the Long Line Set Applications guide.

² Installer will need to supply 3/4" to 7/8" adapters for suction line connections.

³ Installer will need to supply 7/8" to 1 1/8" adapters for suction line connections.

⁴ Unit is factory charged with refrigerant for 15' of 3/8" liquid line. System charge must be adjusted per the Final Charge Adjustment procedure found in the Installation Instructions.

⁵ Wire size should be determined in accordance with National Electrical Codes; extensive wire runs will require larger wire sizes.

⁶ Must use time-delay fuses or HACR-type circuit breakers of the same size as noted.

NOTES

- Always check the S&R plate for electrical data on the unit being installed.

COOLING DATA — DZ4SEA1810A* + AMST24BU1400A*

IDB	AIRFLOW	OUTDOOR AMBIENT TEMPERATURE												ENTERING INDOOR WET BULB TEMPERATURE															
		65°F				75°F				85°F				95°F				105°F				115°F							
		59	63	67	71	59	63	67	71	59	63	67	71	59	63	67	71	59	63	67	71	59	63	67	71				
70	MBh	17.4	17.7	18.2	18.5	17.3	17.5	18.0	18.3	17.1	17.4	17.9	18.0	16.3	16.3	16.6	17.1	16.0	16.3	16.8	15.1	15.3	15.8	15.8	14.2	14.4	15.0	-	
	S/T	0.58	0.50	0.37	0.45	0.59	0.51	0.37	0.46	0.61	0.53	0.40	0.51	1.00	0.55	0.42	0.40	1.00	0.55	0.42	1.00	0.58	0.44	0.44	1.00	0.63	0.49	-	
	ΔT	18	17	14	14	18	17	14	14	19	17	14	14	17	15	12	12	17	15	12	17	15	12	12	18	17	14	-	
	kW	1.04	1.04	1.04	1.05	1.16	1.16	1.16	1.17	1.17	1.30	1.29	1.29	1.30	1.44	1.44	1.44	1.44	1.44	1.44	1.44	1.60	1.60	1.60	1.60	1.79	1.79	1.78	-
	Amps	4.1	4.1	4.0	4.1	4.6	4.6	4.6	4.6	4.6	5.2	5.2	5.2	5.2	5.9	5.9	5.9	5.9	5.9	5.9	5.9	6.6	6.6	6.6	6.6	7.5	7.4	7.4	-
	Hi PR	230	231	233	236	267	268	269	272	272	305	306	307	307	346	347	349	349	346	347	349	390	391	393	393	438	439	440	-
	Lo PR	124	126	129	133	132	133	137	140	143	139	140	143	143	144	146	149	144	144	146	149	150	151	154	157	157	158	161	-
	MBh	17.7	18.0	18.5	18.5	17.6	17.8	18.3	18.3	17.1	17.4	17.9	18.0	17.3	16.3	16.6	17.1	16.3	16.6	17.1	15.4	15.6	16.1	16.1	14.5	14.7	15.3	-	
	S/T	0.67	0.59	0.45	0.45	0.67	0.60	0.46	0.46	0.70	0.62	0.49	0.51	1.00	0.64	0.51	0.49	1.00	0.64	0.51	1.00	0.66	0.53	0.53	1.00	0.71	0.58	-	
	ΔT	17	15	12	12	17	15	12	12	17	16	12	12	16	15	12	12	17	15	12	17	15	12	12	18	16	13	-	
	kW	1.06	1.05	1.05	1.05	1.17	1.17	1.17	1.17	1.30	1.30	1.30	1.30	1.31	1.45	1.45	1.45	1.45	1.45	1.45	1.45	1.61	1.61	1.61	1.61	1.80	1.79	1.79	-
	Amps	4.1	4.1	4.1	4.1	4.7	4.6	4.6	4.6	5.3	5.3	5.2	5.2	5.3	5.9	5.9	5.9	5.9	5.9	5.9	5.9	6.6	6.6	6.6	6.6	7.5	7.5	7.5	-
Hi PR	234	235	237	237	270	271	273	273	309	310	311	311	311	350	351	352	352	349	350	351	393	394	396	396	440	441	443	-	
Lo PR	127	128	131	133	134	136	139	140	142	144	144	147	147	148	149	153	148	148	149	153	152	154	157	157	159	161	164	-	
MBh	17.9	18.1	18.7	18.7	17.7	18.0	18.5	18.5	17.3	17.5	18.0	18.0	17.3	16.5	16.7	17.3	16.5	16.7	17.3	15.5	15.8	16.3	16.3	14.6	14.9	15.4	-		
S/T	0.69	0.61	0.48	0.48	0.70	0.62	0.48	0.48	0.72	0.64	0.51	0.51	1.00	0.66	0.53	0.53	1.00	0.66	0.53	1.00	0.69	0.55	0.55	1.00	0.74	0.60	-		
ΔT	17	15	12	12	17	15	12	12	17	15	12	12	16	15	12	12	16	15	12	16	15	11	11	17	16	13	-		
kW	1.06	1.05	1.05	1.05	1.17	1.17	1.17	1.17	1.31	1.31	1.30	1.30	1.31	1.45	1.45	1.45	1.45	1.45	1.45	1.61	1.61	1.61	1.61	1.80	1.80	1.80	-		
Amps	4.1	4.1	4.1	4.1	4.7	4.6	4.6	4.6	5.3	5.3	5.2	5.2	5.3	5.9	5.9	5.9	5.9	5.9	5.9	6.6	6.6	6.6	6.6	7.5	7.5	7.5	-		
Hi PR	234	235	237	237	270	271	273	273	309	310	311	311	311	350	351	352	352	349	350	351	393	394	396	396	441	442	444	-	
Lo PR	128	129	133	133	135	137	140	140	142	144	144	147	147	148	149	153	148	148	149	153	153	155	158	160	162	165	-		
75	MBh	17.4	17.7	18.2	19.0	17.3	17.5	18.1	18.9	16.8	17.1	17.6	18.4	16.0	16.3	16.8	17.6	16.0	16.3	16.8	15.1	15.3	15.9	16.6	14.2	14.5	15.0	15.8	
	S/T	0.71	0.63	0.50	0.35	0.72	0.64	0.50	0.36	1.00	0.66	0.53	0.39	1.00	0.68	0.55	0.40	1.00	0.68	0.55	1.00	0.71	0.57	0.43	1.00	1.00	0.62	0.48	
	ΔT	22	20	17	14	22	20	17	14	22	21	18	14	22	20	17	14	22	20	17	14	22	20	17	14	23	21	18	15
	kW	1.04	1.04	1.04	1.05	1.16	1.16	1.16	1.17	1.29	1.29	1.29	1.30	1.44	1.44	1.43	1.44	1.44	1.44	1.43	1.44	1.60	1.60	1.60	1.60	1.79	1.78	1.78	1.79
	Amps	4.1	4.0	4.0	4.1	4.6	4.6	4.6	4.6	5.2	5.2	5.2	5.2	5.9	5.9	5.8	5.9	5.9	5.9	5.8	5.9	6.6	6.6	6.6	6.6	7.5	7.4	7.4	7.5
	Hi PR	230	231	233	237	267	268	270	274	305	306	308	312	346	347	349	353	346	347	349	393	390	391	393	438	439	440	444	
	Lo PR	124	126	129	134	132	134	137	142	139	140	143	149	144	146	149	154	144	146	149	154	150	151	155	157	157	158	161	167
	MBh	17.7	18.0	18.5	19.3	17.6	17.8	18.4	19.2	17.1	17.4	17.9	18.7	16.3	16.6	17.1	17.9	16.3	16.6	17.1	15.4	15.6	16.1	16.9	14.5	14.7	15.3	16.1	
	S/T	0.80	0.72	0.58	0.44	1.00	0.73	0.59	0.45	1.00	0.75	0.62	0.47	1.00	0.77	0.63	0.49	1.00	0.77	0.63	1.00	0.79	0.66	0.51	1.00	1.00	0.71	0.57	
	ΔT	21	19	16	13	21	19	16	13	21	19	16	13	21	19	16	13	21	19	16	13	20	19	16	12	21	20	17	13
	kW	1.05	1.05	1.05	1.06	1.17	1.17	1.17	1.18	1.30	1.30	1.30	1.31	1.45	1.45	1.44	1.45	1.45	1.45	1.44	1.45	1.61	1.61	1.61	1.61	1.79	1.79	1.80	1.80
	Amps	4.1	4.1	4.1	4.1	4.6	4.6	4.6	4.7	5.2	5.2	5.2	5.3	5.9	5.9	5.9	5.9	5.9	5.9	5.9	6.6	6.6	6.6	6.7	7.5	7.5	7.5	7.5	
Hi PR	233	234	236	240	270	271	272	276	308	309	310	314	349	350	351	355	349	350	351	393	394	396	400	440	441	443	447		
Lo PR	127	128	132	137	134	136	139	144	141	143	146	151	147	148	151	157	147	148	151	157	152	154	157	159	161	164	169		
MBh	17.9	18.1	18.7	19.5	17.7	18.0	18.5	19.3	17.3	17.5	18.0	18.8	16.5	16.7	17.3	18.1	16.5	16.7	17.3	15.5	15.8	16.3	17.1	14.7	14.9	15.4	16.2		
S/T	0.82	0.74	0.61	0.46	1.00	0.75	0.61	0.47	1.00	0.77	0.64	0.49	1.00	0.79	0.66	0.51	1.00	0.79	0.66	1.00	0.80	0.68	0.54	1.00	1.00	0.73	0.59		
ΔT	20	19	15	12	20	19	15	12	20	19	16	12	20	19	15	12	20	19	15	12	20	18	15	12	21	19	16	13	
kW	1.05	1.05	1.05	1.06	1.17	1.17	1.17	1.18	1.31	1.31	1.31	1.31	1.45	1.45	1.45	1.46	1.45	1.45	1.45	1.61	1.61	1.61	1.62	1.80	1.80	1.79	1.80		
Amps	4.1	4.1	4.1	4.1	4.6	4.6	4.6	4.7	5.3	5.3	5.2	5.3	5.9	5.9	5.9	5.9	5.9	5.9	5.9	6.6	6.6	6.6	6.7	7.5	7.5	7.5	7.5		
Hi PR	234	235	237	241	271	272	273	277	309	310	311	315	350	351	353	357	349	350	351	393	394	396	401	442	443	444	448		
Lo PR	128	129	133	138	136	137	140	146	142	144	147	152	148	148	149	153	148	148	149	153	153	155	158	160	162	162	165	170	

IDB: Entering Indoor Dry Bulb Temperature
 High and low pressures are measured at the liquid and suction service valves.
 Shaded area reflects ACCA (TVA) Rating Conditions.
 kW = Total system power
 Amps = Outdoor unit amps (compressor + fan)

COOLING DATA — DZ4SEA1810A* + AMST24BU1400A* (CONT.)

IDB	AIRFLOW	OUTDOOR AMBIENT TEMPERATURE																							
		65°F				75°F				85°F				95°F				105°F				115°F			
		59	63	67	71	59	63	67	71	59	63	67	71	59	63	67	71	59	63	67	71	59	63	67	71
80	MBh	17.5	17.8	18.3	19.1	17.4	17.6	18.1	18.9	16.9	17.2	17.7	18.5	16.1	16.4	16.9	17.7	15.2	15.4	15.9	16.7	14.3	14.5	15.1	15.9
	S/T	1.00	0.76	0.62	0.48	1.00	0.76	0.63	0.49	1.00	0.79	0.65	0.51	1.00	1.00	0.67	0.53	1.00	1.00	0.70	0.55	1.00	1.00	0.75	0.60
	ΔT	26	24	21	18	26	24	21	18	26	24	21	18	26	24	21	18	26	24	21	18	27	25	22	19
	kW	1.04	1.04	1.04	1.05	1.16	1.16	1.16	1.17	1.30	1.29	1.29	1.30	1.44	1.44	1.44	1.44	1.60	1.60	1.60	1.60	1.79	1.79	1.79	1.79
	Amps	4.1	4.1	4.1	4.1	4.6	4.6	4.6	4.6	5.2	5.2	5.2	5.2	5.9	5.9	5.8	5.9	6.6	6.6	6.6	6.6	7.5	7.4	7.4	7.5
	Hi/PR	231	232	233	238	267	268	270	274	305	306	308	312	347	348	349	353	391	392	394	398	438	439	441	445
Lo/PR	125	126	130	135	133	134	137	143	139	141	144	149	145	146	150	155	150	152	155	160	157	159	162	167	
80	MBh	17.8	18.1	18.6	19.4	17.7	17.9	18.4	19.2	17.2	17.5	18.0	18.8	16.4	16.7	17.2	18.0	15.5	15.7	16.2	17.0	14.6	14.8	15.4	16.2
	S/T	1.00	0.85	0.71	0.57	1.00	0.85	0.72	0.57	1.00	0.88	0.74	0.60	1.00	1.00	0.76	0.62	1.00	1.00	0.78	0.64	1.00	1.00	0.83	0.69
	ΔT	24	23	20	16	24	23	20	16	25	23	20	17	24	23	20	16	24	22	19	16	25	24	20	17
	kW	1.05	1.05	1.05	1.06	1.17	1.17	1.17	1.18	1.30	1.30	1.30	1.31	1.45	1.45	1.44	1.45	1.61	1.61	1.61	1.61	1.80	1.79	1.79	1.80
	Amps	4.1	4.1	4.1	4.1	4.6	4.6	4.6	4.7	5.2	5.2	5.2	5.3	5.9	5.9	5.9	5.9	6.6	6.6	6.6	6.7	7.5	7.5	7.5	7.5
	Hi/PR	234	235	236	240	270	271	273	277	308	309	311	315	349	350	352	356	394	395	396	400	441	442	444	448
Lo/PR	127	129	132	137	135	136	140	145	142	143	146	152	147	149	152	157	153	154	157	163	160	161	164	170	
80	MBh	18.0	18.2	18.8	19.5	17.8	18.1	18.6	19.4	17.4	17.6	18.1	18.9	16.6	16.8	17.4	18.1	15.6	15.9	16.4	17.2	14.7	15.0	15.5	16.3
	S/T	1.00	0.87	0.73	0.59	1.00	0.87	0.74	0.59	1.00	0.90	0.76	0.62	1.00	1.00	0.78	0.64	1.00	1.00	0.80	0.66	1.00	1.00	0.86	0.71
	ΔT	24	22	19	16	24	22	19	16	24	22	19	16	24	22	19	16	24	22	19	16	25	23	20	17
	kW	1.06	1.05	1.05	1.06	1.17	1.17	1.17	1.18	1.31	1.31	1.30	1.31	1.45	1.45	1.45	1.46	1.61	1.61	1.61	1.62	1.80	1.80	1.80	1.80
	Amps	4.1	4.1	4.1	4.1	4.7	4.6	4.6	4.7	5.3	5.3	5.2	5.3	5.9	5.9	5.9	5.9	6.6	6.6	6.6	6.7	7.5	7.5	7.5	7.5
	Hi/PR	235	236	237	241	271	272	274	278	309	310	312	316	350	351	353	357	395	396	397	401	442	443	445	449
Lo/PR	128	130	133	139	136	138	141	146	143	144	147	153	148	150	153	158	154	155	159	164	161	162	166	171	

85	MBh	17.8	18.1	18.6	19.4	17.7	17.9	18.4	19.2	17.2	17.5	18.0	18.8	16.4	16.7	17.2	18.0	15.5	15.7	16.2	17.0	14.6	14.8	15.4	16.2
	S/T	1.00	0.86	0.72	0.6	1.00	1.00	0.73	0.6	1.00	1.00	0.76	0.6	1.00	1.00	0.77	0.6	1.00	1.00	0.80	0.7	1.00	1.00	1.00	0.7
	ΔT	29	27	24	21	29	27	24	21	29	28	25	21	29	27	24	21	29	27	24	21	30	28	25	22
	kW	1.05	1.05	1.04	1.1	1.16	1.16	1.16	1.2	1.30	1.30	1.29	1.3	1.44	1.44	1.44	1.4	1.60	1.60	1.60	1.6	1.79	1.79	1.79	1.8
	Amps	4.1	4.1	4.1	4.1	4.6	4.6	4.6	4.6	5.2	5.2	5.2	5.2	5.9	5.9	5.9	5.9	6.6	6.6	6.6	6.6	7.5	7.5	7.5	7.5
	Hi/PR	232	233	235	239	268	269	271	275	307	308	309	313	348	349	350	354	392	393	395	399	439	440	442	446
Lo/PR	127	128	132	137	134	136	139	144	141	143	146	151	147	148	151	157	152	154	157	162	159	161	164	169	
85	MBh	18.1	18.4	18.9	19.7	18.0	18.2	18.7	19.5	17.5	17.8	18.3	19.1	16.7	17.0	17.5	18.3	15.8	16.0	16.5	17.3	14.9	15.1	15.7	16.5
	S/T	1.00	0.95	0.81	0.7	1.00	1.00	0.82	0.7	1.00	1.00	0.84	0.7	1.00	1.00	0.86	0.7	1.00	1.00	1.00	0.7	1.00	1.00	1.00	0.8
	ΔT	28	26	23	20	28	26	23	20	28	26	23	20	28	26	23	20	27	26	23	19	28	27	24	20
	kW	1.05	1.05	1.05	1.1	1.17	1.17	1.17	1.2	1.31	1.30	1.30	1.3	1.45	1.45	1.45	1.5	1.61	1.61	1.61	1.6	1.80	1.80	1.80	1.8
	Amps	4.1	4.1	4.1	4.1	4.6	4.6	4.6	4.7	5.3	5.2	5.2	5.3	5.9	5.9	5.9	5.9	6.6	6.6	6.6	6.7	7.5	7.5	7.5	7.5
	Hi/PR	235	236	237	241	271	272	274	278	309	310	312	316	350	351	353	357	395	396	397	401	442	443	445	449
Lo/PR	129	131	134	139	137	138	142	147	143	145	148	154	149	151	154	159	155	156	159	165	162	163	166	172	
85	MBh	18.3	18.5	19.0	19.8	18.1	18.4	18.9	19.7	17.7	17.9	18.4	19.2	16.9	17.1	17.6	18.4	15.9	16.2	16.7	17.5	15.0	15.3	15.8	16.6
	S/T	1.00	0.97	0.83	0.7	1.00	1.00	0.84	0.7	1.00	1.00	0.86	0.7	1.00	1.00	0.88	0.7	1.00	1.00	1.00	0.8	1.00	1.00	1.00	0.8
	ΔT	27	26	22	19	27	26	22	19	27	26	23	19	27	25	22	19	27	25	22	19	28	26	23	20
	kW	1.06	1.06	1.05	1.1	1.18	1.18	1.17	1.2	1.31	1.31	1.31	1.3	1.45	1.45	1.45	1.5	1.61	1.61	1.61	1.6	1.80	1.80	1.80	1.8
	Amps	4.1	4.1	4.1	4.1	4.7	4.7	4.6	4.7	5.3	5.3	5.3	5.3	5.9	5.9	5.9	6.0	6.7	6.7	6.6	6.7	7.5	7.5	7.5	7.5
	Hi/PR	236	237	238	242	272	273	275	279	310	311	313	317	351	352	354	358	396	397	398	402	443	444	446	450
Lo/PR	130	132	135	140	138	139	143	148	145	146	149	155	150	152	155	160	156	157	160	166	163	164	166	173	

IDB: Entering Indoor Dry Bulb Temperature
 High and low pressures are measured at the liquid and suction service valves.
 Shaded area reflects AHRI Rating Conditions.
 kW = Total system power
 Amps = Outdoor unit amps (compressor + fan)

COOLING DATA — DZ4SEA2410A* + AMST24BU1400A*

IDB		OUTDOOR AMBIENT TEMPERATURE																																																				
		65°F						75°F						85°F						95°F						105°F						115°F																						
		59	63	67	71	59	63	67	71	59	63	67	71	59	63	67	71	59	63	67	71	59	63	67	71	59	63	67	71	59	63	67	71																					
70	700	AIRFLOW	23.1	23.5	24.1	-	22.9	23.2	23.9	-	22.3	22.6	23.3	-	21.3	21.6	22.3	-	20.0	20.4	21.0	-	18.9	19.2	19.9	-	23.1	23.5	24.1	-	22.9	23.2	23.9	-	22.3	22.6	23.3	-	21.3	21.6	22.3	-	20.0	20.4	21.0	-	18.9	19.2	19.9	-				
		MBh	0.61	0.54	0.41	-	0.62	0.55	0.42	-	0.64	0.57	0.44	-	0.66	0.59	0.46	-	1.00	0.61	0.48	-	1.00	0.66	0.53	-	0.61	0.54	0.41	-	0.62	0.55	0.42	-	0.64	0.57	0.44	-	0.66	0.59	0.46	-	1.00	0.61	0.48	-	1.00	0.66	0.53	-				
		S/T	18	16	13	-	18	16	13	-	18	16	13	-	18	16	13	-	17	16	13	-	18	17	14	-	18	16	13	-	18	16	13	-	18	16	13	-	18	16	13	-	17	16	13	-	18	17	14	-				
		ΔT	1.36	1.36	1.35	-	1.52	1.52	1.52	-	1.70	1.70	1.70	-	1.90	1.90	1.89	-	8.8	8.8	8.8	-	8.8	8.8	8.8	-	1.36	1.36	1.35	-	1.52	1.52	1.52	-	1.70	1.70	1.70	-	1.90	1.90	1.89	-	8.8	8.8	8.8	-	8.8	8.8	8.8	-	10.0	9.9	9.9	-
		kW	239	240	242	-	276	277	279	-	316	317	318	-	358	359	361	-	404	405	407	-	453	454	455	-	239	240	242	-	276	277	279	-	316	317	318	-	358	359	361	-	404	405	407	-	453	454	455	-				
	Amps	120	122	125	-	127	129	132	-	134	135	138	-	139	141	144	-	144	146	149	-	151	152	155	-	120	122	125	-	127	129	132	-	134	135	138	-	139	141	144	-	144	146	149	-	151	152	155	-					
	HiPR	23.3	23.6	24.3	-	23.1	23.4	24.1	-	22.5	22.8	23.5	-	22.1	21.8	22.5	-	20.2	20.5	21.2	-	19.0	19.4	20.1	-	23.3	23.6	24.3	-	23.1	23.4	24.1	-	22.5	22.8	23.5	-	22.1	21.8	22.5	-	20.2	20.5	21.2	-	19.0	19.4	20.1	-					
	LoPR	0.64	0.57	0.44	-	0.65	0.57	0.44	-	0.67	0.60	0.47	-	0.69	0.62	0.49	-	1.00	0.64	0.51	-	1.00	0.69	0.56	-	0.64	0.57	0.44	-	0.65	0.57	0.44	-	0.67	0.60	0.47	-	0.69	0.62	0.49	-	1.00	0.64	0.51	-	1.00	0.69	0.56	-					
	S/T	17	16	12	-	17	15	12	-	17	16	13	-	17	15	12	-	17	15	12	-	18	16	13	-	17	16	12	-	17	15	12	-	17	16	13	-	17	15	12	-	18	16	13	-	18	16	13	-					
	ΔT	1.36	1.36	1.36	-	1.53	1.52	1.52	-	1.71	1.70	1.70	-	1.90	1.90	1.90	-	8.8	8.8	8.8	-	8.8	8.8	8.8	-	1.36	1.36	1.36	-	1.53	1.52	1.52	-	1.71	1.70	1.70	-	1.90	1.90	1.90	-	8.8	8.8	8.8	-	8.8	8.8	8.8	-	10.0	10.0	10.0	-	
kW	240	241	243	-	278	279	280	-	317	318	320	-	359	360	362	-	405	406	408	-	454	455	456	-	240	241	243	-	278	279	280	-	317	318	320	-	359	360	362	-	405	406	408	-	454	455	456	-						
Amps	121	122	126	-	128	130	133	-	135	136	139	-	140	141	144	-	145	147	150	-	152	153	156	-	121	122	126	-	128	130	133	-	135	136	139	-	140	141	144	-	145	147	150	-	152	153	156	-						
HiPR	23.9	24.2	24.9	-	23.7	24.0	24.7	-	23.1	23.4	24.1	-	22.1	22.4	23.1	-	20.8	21.1	21.8	-	19.7	20.0	20.7	-	23.9	24.2	24.9	-	23.7	24.0	24.7	-	23.1	23.4	24.1	-	22.1	22.4	23.1	-	20.8	21.1	21.8	-	19.7	20.0	20.7	-						
LoPR	0.68	0.61	0.48	-	0.69	0.61	0.48	-	0.71	0.64	0.51	-	0.73	0.66	0.53	-	1.00	0.68	0.55	-	1.00	0.73	0.60	-	0.68	0.61	0.48	-	0.69	0.61	0.48	-	0.71	0.64	0.51	-	0.73	0.66	0.53	-	1.00	0.68	0.55	-	1.00	0.73	0.60	-						
S/T	16	14	11	-	16	14	11	-	16	14	11	-	16	14	11	-	16	14	11	-	17	15	12	-	16	14	11	-	16	14	11	-	16	14	11	-	16	14	11	-	16	14	11	-	17	15	12	-						
ΔT	1.37	1.37	1.37	-	1.54	1.53	1.53	-	1.72	1.72	1.71	-	1.91	1.91	1.91	-	8.8	8.8	8.8	-	8.8	8.8	8.8	-	1.37	1.37	1.37	-	1.54	1.53	1.53	-	1.72	1.72	1.71	-	1.91	1.91	1.91	-	8.8	8.8	8.8	-	8.8	8.8	8.8	-	10.0	10.0	10.0	-		
kW	243	244	246	-	281	282	283	-	320	321	323	-	362	363	365	-	408	409	411	-	457	458	459	-	243	244	246	-	281	282	283	-	320	321	323	-	362	363	365	-	408	409	411	-	457	458	459	-						
Amps	124	126	129	-	131	133	136	-	138	139	142	-	143	145	148	-	148	150	153	-	155	157	160	-	124	126	129	-	131	133	136	-	138	139	142	-	143	145	148	-	148	150	153	-	155	157	160	-						
HiPR	23.1	23.5	24.2	-	22.9	23.3	23.9	-	22.3	22.7	23.3	-	21.3	21.6	22.3	-	20.2	20.5	21.2	-	19.1	19.2	19.9	-	23.1	23.5	24.2	-	22.9	23.3	23.9	-	22.3	22.7	23.3	-	21.3	21.6	22.3	-	20.2	20.5	21.2	-	19.1	19.2	19.9	-						
LoPR	0.76	0.69	0.56	0.42	0.77	0.70	0.57	0.43	1.00	0.72	0.59	0.45	1.00	0.71	0.58	0.44	1.00	0.76	0.63	0.49	1.00	0.81	0.68	0.54	0.76	0.69	0.56	0.42	0.77	0.70	0.57	0.43	1.00	0.72	0.59	0.45	1.00	0.71	0.58	0.44	1.00	0.76	0.63	0.49	1.00	0.81	0.68	0.54						
S/T	21	19	16	13	21	19	16	13	22	20	17	14	21	20	17	13	21	19	16	13	22	20	17	14	21	19	16	13	21	19	16	13	22	20	17	14	21	19	16	13	22	20	17	14										
ΔT	1.36	1.36	1.35	1.37	1.52	1.52	1.52	1.53	1.70	1.70	1.70	1.71	1.90	1.90	1.89	1.91	2.12	2.12	2.12	2.13	2.37	2.37	2.37	2.38	1.36	1.36	1.35	1.37	1.52	1.52	1.52	1.53	1.70	1.70	1.70	1.71	1.90	1.90	1.89	1.91	2.12	2.12	2.12	2.13	2.37	2.37	2.37	2.38						
kW	239	240	242	246	277	278	279	284	316	317	319	323	358	359	361	365	404	405	407	411	453	454	455	460	239	240	242	246	277	278	279	284	316	317	319	323	358	359	361	365	404	405	407	411	453	454	455	460						
Amps	120	122	125	130	127	129	132	137	134	135	138	143	139	141	144	149	144	146	149	154	151	152	155	161	120	122	125	130	127	129	132	137	134	135	138	143	139	141	144	149	144	146	149	154	151	152	155	161						
HiPR	23.3	23.6	24.3	25.4	23.1	23.4	24.1	25.2	22.5	22.8	23.5	24.6	21.5	21.8	22.5	23.5	20.2	20.5	21.2	22.3	19.1	19.4	20.1	21.1	23.3	23.6	24.3	25.4	23.1	23.4	24.1	25.2	22.5	22.8	23.5	24.6	21.5	21.8	22.5	23.5	20.2	20.5	21.2	22.3	19.1	19.4	20.1	21.1						
LoPR	0.76	0.69	0.56	0.42	0.77	0.70	0.57	0.43	1.00	0.72	0.59	0.45	1.00	0.71	0.58	0.44	1.00	0.76	0.63	0.49	1.00	0.81	0.68	0.54	0.76	0.69	0.56	0.42	0.77	0.70	0.57	0.43	1.00	0.72	0.59	0.45	1.00	0.71	0.58	0.44	1.00	0.76	0.63	0.49	1.00	0.81	0.68	0.54						
S/T	21	19	16	13	21	19	16	13	22	20	17	14	21	20	17	13	21	19	16	13	22	20	17	14	21	19	16	13	21	19	16	13	22	20	17	14	21	19	16	13	22	20	17	14										
ΔT	1.36	1.36	1.35	1.37	1.52	1.52	1.52	1.53	1.70	1.70	1.70	1.71	1.90	1.90	1.89	1.91	2.12	2.12	2.12	2.13	2.37	2.37	2.37	2.38	1.36	1.36	1.35	1.37	1.52	1.52	1.52	1.53	1.70	1.70	1.70	1.71	1.90	1.90	1.89	1.91	2.12	2.12	2.12	2.13	2.37	2.37	2.37	2.38						
kW	239	240	242	246	277	278	279	284	316	317	319	323	358	359	361	365	404	405	407	411	453	454	455	460	239	240	242	246	277	278	279	284	316	317	319	323	358	359	361	365	404	405	407	411	453	454	455	460						
Amps	121	123	126	131	128	130	133	138	135	136	139	144	140	141	144	149	144	146	149	154	151	152	155	161	121	123	126	131	128	130	133	138	135	136	139	144	140	141	144	149	144	146	149	154	151	152	155	161						
HiPR	23.9	24.2	24.9	26.0	23.7	24.0	24.7	25.8	23.1	23.4	24.1	25.2	22.1	22.4	23.1	24.1	20.8	21.1																																				

COOLING DATA — DZ4SEA3010A* + AMST30BU1400A*

IDB		OUTDOOR AMBIENT TEMPERATURE																																															
		65°F								75°F								85°F								95°F								105°F								115°F							
		AIRFLOW		59	63	67	71	59	63	67	71	ENTERING INDOOR WET BULB TEMPERATURE		59	63	67	71	ENTERING INDOOR WET BULB TEMPERATURE		59	63	67	71	ENTERING INDOOR WET BULB TEMPERATURE		59	63	67	71	ENTERING INDOOR WET BULB TEMPERATURE		59	63	67	71														
70	875	MBh	28.5	28.9	29.8	-	28.3	28.7	29.5	-	27.5	27.9	28.8	-	26.2	26.6	27.5	-	24.7	25.1	25.9	-	23.2	23.6	24.5	-	21.7	22.1	22.9	-	20.2	20.6	21.4	-	18.7	19.1	19.8	-											
		S/T	0.60	0.52	0.38	-	0.61	0.52	0.38	-	0.63	0.55	0.41	-	0.65	0.57	0.43	-	1.00	0.60	0.45	-	1.00	0.60	0.45	-	1.00	0.60	0.45	-	1.00	0.60	0.45	-	1.00	0.60	0.45	-											
		ΔT	18	17	14	-	18	17	13	-	18	17	14	-	18	17	13	-	18	16	13	-	19	17	14	-	19	17	14	-	19	17	14	-	19	17	14	-											
		kW	1.70	1.70	1.69	-	1.90	1.89	1.89	-	2.12	2.12	2.11	-	2.36	2.36	2.35	-	2.63	2.62	2.62	-	2.94	2.94	2.93	-	3.21	3.20	3.19	-	3.48	3.47	3.46	-	3.75	3.74	3.73	-											
		Amps	6.3	6.3	6.3	-	7.2	7.2	7.2	-	8.2	8.2	8.2	-	9.3	9.3	9.3	-	10.5	10.5	10.5	-	12.0	12.0	11.9	-	13.5	13.5	13.5	-	15.0	15.0	15.0	-	16.5	16.5	16.5	-											
		Hi/PR	247	248	250	-	286	287	289	-	327	328	330	-	371	372	374	-	418	419	421	-	469	470	472	-	510	511	512	-	551	552	553	-	592	593	594	-											
	Lo/PR	119	121	124	-	127	128	131	-	133	135	138	-	139	140	143	-	144	145	148	-	151	152	155	-	156	157	160	-	161	162	165	-	166	167	170	-												
	1000	MBh	28.9	29.3	30.1	-	28.6	29.0	29.9	-	27.9	28.3	29.1	-	26.6	27.0	27.8	-	25.0	25.4	26.3	-	23.6	24.0	24.8	-	22.1	22.5	23.2	-	20.6	21.0	21.6	-	19.1	19.5	20.1	-											
		S/T	0.67	0.59	0.45	-	0.68	0.60	0.46	-	0.71	0.63	0.48	-	0.73	0.65	0.50	-	1.00	0.67	0.53	-	1.00	0.67	0.53	-	1.00	0.67	0.53	-	1.00	0.67	0.53	-	1.00	0.67	0.53	-											
		ΔT	17	16	12	-	17	16	12	-	17	16	13	-	17	15	12	-	17	15	12	-	18	16	13	-	18	16	13	-	18	16	13	-	18	16	13	-											
		kW	1.71	1.71	1.70	-	1.91	1.90	1.90	-	2.13	2.13	2.12	-	2.37	2.37	2.36	-	2.64	2.63	2.63	-	2.95	2.95	2.95	-	3.26	3.25	3.24	-	3.57	3.56	3.55	-	3.88	3.87	3.86	-											
		Amps	6.3	6.3	6.3	-	7.2	7.2	7.2	-	8.3	8.2	8.2	-	9.4	9.3	9.3	-	10.6	10.6	10.6	-	12.0	12.0	12.0	-	13.5	13.5	13.5	-	15.0	15.0	15.0	-	16.5	16.5	16.5	-											
Hi/PR		249	250	252	-	288	289	291	-	329	330	332	-	373	374	376	-	420	421	423	-	471	472	474	-	512	513	514	-	553	554	555	-	594	595	596	-												
Lo/PR	121	123	126	-	128	130	133	-	135	136	139	-	140	142	145	-	146	147	150	-	152	154	157	-	157	159	162	-	162	164	167	-	167	169	172	-													
1070	MBh	29.1	29.5	30.3	-	28.8	29.2	30.1	-	28.1	28.5	29.3	-	26.8	27.2	28.0	-	25.2	25.6	26.5	-	23.8	24.2	25.0	-	22.3	22.7	23.4	-	20.8	21.2	21.8	-	19.3	19.7	20.3	-												
	S/T	0.70	0.62	0.48	-	0.71	0.63	0.49	-	0.73	0.65	0.51	-	0.76	0.67	0.53	-	1.00	0.70	0.56	-	1.00	0.70	0.56	-	1.00	0.70	0.56	-	1.00	0.70	0.56	-																
	ΔT	17	15	12	-	17	15	12	-	17	15	12	-	17	15	12	-	16	15	12	-	17	16	13	-	17	16	13	-	17	16	13	-																
	kW	1.71	1.71	1.71	-	1.91	1.91	1.91	-	2.13	2.13	2.13	-	2.37	2.37	2.37	-	2.64	2.64	2.64	-	2.96	2.96	2.96	-	3.28	3.28	3.28	-	3.60	3.60	3.60	-	3.92	3.92	3.92	-												
	Amps	6.4	6.3	6.3	-	7.3	7.3	7.2	-	8.3	8.3	8.3	-	9.4	9.4	9.4	-	10.6	10.6	10.6	-	12.0	12.0	12.0	-	13.5	13.5	13.5	-	15.0	15.0	15.0	-	16.5	16.5	16.5	-												
	Hi/PR	250	251	253	-	289	290	292	-	330	331	333	-	374	375	377	-	422	423	424	-	472	473	475	-	513	514	515	-	554	555	556	-	595	596	597	-												
Lo/PR	122	124	127	-	129	131	134	-	136	137	140	-	141	143	146	-	146	148	151	-	153	155	158	-	158	160	163	-	163	165	168	-	168	170	173	-													
75	875	MBh	28.6	29.0	29.8	31.1	28.3	28.7	29.6	30.9	27.5	28.0	28.8	30.1	26.3	26.7	27.5	28.8	24.7	25.1	25.9	27.3	23.2	23.7	24.5	25.8	21.7	22.1	22.9	24.2	20.2	20.6	21.4	22.7															
		S/T	0.73	0.65	0.51	0.36	0.74	0.66	0.52	0.37	1.00	0.69	0.54	0.39	1.00	0.71	0.57	0.41	1.00	0.73	0.59	0.44	1.00	0.73	0.59	0.44	1.00	0.73	0.59	0.44	1.00	0.73	0.59	0.44															
		ΔT	22	20	17	14	22	20	17	14	22	20	17	14	22	20	17	14	22	20	17	14	23	21	18	15	23	21	18	15	23	21	18	15															
		kW	1.70	1.69	1.69	1.71	1.89	1.89	1.89	1.90	2.12	2.11	2.11	2.13	2.36	2.35	2.35	2.37	2.62	2.62	2.62	2.63	2.94	2.94	2.93	2.95	3.21	3.20	3.19	3.21	3.48	3.47	3.46	3.48															
		Amps	6.3	6.3	6.3	6.3	7.2	7.2	7.2	7.2	8.2	8.2	8.2	8.2	9.3	9.3	9.3	9.3	10.5	10.5	10.5	10.6	12.0	12.0	12.0	12.0	13.5	13.5	13.5	13.5	15.0	15.0	15.0	15.0															
		Hi/PR	247	248	250	254	286	287	289	293	327	328	330	334	371	372	374	378	419	420	421	426	469	470	472	476	510	511	512	514	551	552	553	555															
	Lo/PR	120	121	124	129	127	128	131	136	133	135	138	143	139	140	143	148	144	145	149	154	151	152	155	160	156	157	160	165	161	162	165	170																
	1000	MBh	28.9	29.3	30.1	31.4	28.6	29.0	29.9	31.2	27.9	28.3	29.1	30.4	26.6	27.0	27.8	29.2	25.0	25.4	26.3	27.6	23.6	24.0	24.8	26.1	22.1	22.5	23.2	24.5	20.6	21.0	21.6	22.9															
		S/T	0.81	0.73	0.59	0.43	0.81	0.73	0.59	0.44	1.00	0.76	0.62	0.47	1.00	0.78	0.64	0.49	1.00	0.80	0.66	0.51	1.00	0.86	0.72	0.57	1.00	0.86	0.72	0.57	1.00	0.86	0.72	0.57															
		ΔT	21	19	16	13	21	19	16	13	21	19	16	13	21	19	16	13	21	19	16	13	22	20	17	14	22	20	17	14	22	20	17	14															
		kW	1.71	1.71	1.70	1.72	1.91	1.90	1.90	1.92	2.13	2.13	2.12	2.14	2.37	2.37	2.36	2.38	2.63	2.63	2.63	2.64	2.95	2.95	2.94	2.96	3.26	3.25	3.24	3.26	3.57	3.56	3.55	3.57															
		Amps	6.3	6.3	6.3	6.4	7.2	7.2	7.2	7.3	8.3	8.2	8.2	8.3	9.3	9.3	9.3	9.4	10.6	10.6	10.6	10.6	12.0	12.0	12.0	12.0	13.5	13.5	13.5	13.5	15.0	15.0	15.0	15.0															
Hi/PR		249	250	252	256	288	289	291	295	329	330	332	336	373	374	376	380	421	422	423	428	471	472	474	479	512	513	514	516	553	554	555	557																
Lo/PR	121	123	126	131	128	130	133	138	135	136	139	145	140	142	145	150	146	147	150	155	152	154	157	162	157	159	162	167	162	164	167	172																	
1070	MBh	29.1	29.5	30.3	31.7	28.8	29.2	30.1	31.4	28.1	28.5	29.3	30.6	26.8	27.2	28.1	29.4	25.2	25.6	26.5	27.8	23.8	24.2	25.0	26.3	22.3	22.7	23.4	24.7	20.8	21.2	21.8	23.1																
	S/T	0.84	0.76	0.61	0.46	0.84	0.76	0.62	0.47	1.00	0.79	0.65	0.50	1.00	0.81	0.67	0.52	1.00	0.83	0.69	0.54	1.00	1.00	0.75	0.60	1.00	1.00	0.75	0.60	1.00	1.00	0.75	0.60																
	ΔT	20	19	16	12	20	19	16	12	20	19	16	13	20	19	16	12	20	18	15	12	21	19	16	13	21	19	16	13	21	19	16	13																
	kW	1.71	1.71	1.71	1.72	1.91	1.91	1.91	1.92	2.13	2.13	2.13	2.14	2.37	2.37	2.37	2.38	2.64	2.64	2.63	2.65	2.96	2.95	2.95	2.96	3.28	3.27	3.27	3.29	3.60	3.60	3.60	3.62																
	Amps	6.4	6.3	6.3	6.4	7.3	7.3	7.2	7.3	8.3	8.3	8.3	8.3	9.4	9.4	9.4	9.4	10.6	10.6	10.6	10.6	12.0	12.0	12.0	12.0	13.5	13.5	13.5	13.5	15.0	15.0	15.0	15.0																
	Hi/PR	250	251	253	257	289	290	292	296	330																																							

COOLING DATA — DZ4SEA3010A* + AMST30BU1400A* (CONT.)

IDB		OUTDOOR AMBIENT TEMPERATURE																																															
		65°F								75°F								85°F								95°F								105°F								115°F							
		59	63	67	71	59	63	67	71	59	63	67	71	59	63	67	71	59	63	67	71	59	63	67	71	59	63	67	71	59	63	67	71																
80	AIRFLOW	MBh	28.7	29.1	30.0	31.3	28.4	28.9	29.7	31.0	27.7	28.1	29.0	30.3	26.4	26.8	27.7	29.0	24.8	25.2	26.1	27.4	23.4	23.8	24.7	26.0																							
		S/T	0.87	0.79	0.64	0.49	1.00	0.82	0.68	0.53	1.00	0.84	0.70	0.55	1.00	1.00	0.72	0.57	1.00	1.00	0.72	0.57	1.00	1.00	0.77	0.62																							
		ΔT	25	24	21	18	25	24	21	18	25	24	21	18	25	24	20	17	25	24	20	17	26	25	21	18																							
		kW	1.70	1.70	1.69	1.71	1.90	1.89	1.89	1.91	2.12	2.12	2.11	2.13	2.36	2.36	2.35	2.37	2.63	2.62	2.62	2.64	2.94	2.94	2.93	2.95																							
		Amps	6.3	6.3	6.3	6.3	7.2	7.2	7.2	7.2	8.2	8.2	8.2	8.3	9.3	9.3	9.3	9.4	10.5	10.5	10.5	10.6	12.0	12.0	11.9	12.0																							
	875	Hi-PR	247	248	250	254	286	288	289	294	327	328	330	335	372	373	374	379	419	420	422	426	470	471	473	477																							
		Lo-PR	120	122	125	130	127	129	132	137	134	135	138	143	139	141	144	149	144	146	149	154	151	153	156	161																							
		MBh	29.0	29.4	30.3	31.6	28.8	29.2	30.0	31.3	28.0	28.4	29.3	30.6	26.7	27.1	28.0	29.3	25.2	25.6	26.4	27.7	23.7	24.1	25.0	26.3																							
		S/T	0.94	0.86	0.72	0.57	1.00	0.87	0.72	0.57	1.00	0.89	0.75	0.60	1.00	1.00	0.91	0.77	1.00	1.00	0.79	0.64	1.00	1.00	0.85	0.70																							
		ΔT	24	23	20	17	24	23	20	17	25	23	20	17	24	23	20	16	24	22	19	16	25	24	20	17																							
1000	kW	1.71	1.71	1.70	1.72	1.91	1.90	1.90	1.92	2.13	2.13	2.12	2.14	2.37	2.37	2.36	2.38	2.64	2.63	2.63	2.65	2.95	2.95	2.95	2.96																								
	Amps	6.3	6.3	6.3	6.4	7.2	7.2	7.2	7.3	8.3	8.2	8.2	8.3	9.4	9.3	9.3	9.4	10.6	10.6	10.6	10.6	12.0	12.0	12.0	12.1																								
	Hi-PR	249	250	252	257	289	290	291	296	329	331	332	337	374	375	376	381	421	422	424	428	472	473	475	479																								
	Lo-PR	122	123	126	131	129	130	134	139	135	137	140	145	141	142	145	150	146	148	151	156	153	154	157	162																								
	MBh	29.2	29.6	30.5	31.8	29.0	29.4	30.2	31.5	28.2	28.6	29.5	30.8	26.9	27.3	28.2	29.5	25.4	25.8	26.6	27.9	23.9	24.3	25.2	26.5																								
1070	S/T	1.00	0.89	0.75	0.60	1.00	0.90	0.75	0.60	1.00	0.92	0.78	0.63	1.00	0.94	0.80	0.65	1.00	1.00	0.82	0.67	1.00	1.00	0.88	0.73																								
	ΔT	24	22	19	16	24	22	19	16	24	22	19	16	24	22	19	16	24	22	19	16	25	23	20	17																								
	kW	1.71	1.71	1.71	1.72	1.91	1.91	1.91	1.92	2.13	2.13	2.13	2.14	2.37	2.37	2.37	2.38	2.64	2.64	2.64	2.65	2.96	2.95	2.95	2.97																								
	Amps	6.4	6.3	6.3	6.4	7.3	7.3	7.2	7.3	8.3	8.3	8.3	8.3	9.4	9.4	9.4	9.4	10.6	10.6	10.6	10.7	12.0	12.0	12.0	12.1																								
	Hi-PR	250	252	253	258	290	291	292	297	331	332	333	338	375	376	377	382	422	423	425	429	473	474	476	480																								
Lo-PR	123	124	127	132	130	131	134	140	136	138	141	146	142	143	146	151	147	149	152	157	154	155	158	163																									

875	MBh	29.2	29.6	30.4	31.8	28.9	29.3	30.2	31.5	28.2	28.6	29.4	30.8	26.9	27.3	28.2	29.5	25.3	25.7	26.6	27.9	23.9	24.3	25.1	26.5
	S/T	1.00	0.89	0.75	0.6	1.00	0.90	0.76	0.6	1.00	1.00	0.78	0.6	1.00	1.00	0.80	0.7	1.00	1.00	0.83	0.7	1.00	1.00	0.88	0.7
	ΔT	29	27	24	21	29	27	24	21	29	27	24	21	29	27	24	21	28	27	24	21	29	28	25	22
	kW	1.70	1.70	1.70	1.7	1.90	1.90	1.89	1.9	2.12	2.12	2.12	2.1	2.36	2.36	2.36	2.4	2.63	2.63	2.62	2.6	2.94	2.94	2.94	3.0
	Amps	6.3	6.3	6.3	6.3	7.2	7.2	7.2	7.3	8.2	8.2	8.2	8.3	9.3	9.3	9.3	9.4	10.5	10.5	10.5	10.6	12.0	12.0	12.0	12.0
1000	Hi-PR	249	250	251	256	288	289	290	295	329	330	331	336	373	374	375	380	420	421	423	427	471	472	474	478
	Lo-PR	122	123	126	132	129	131	134	139	136	137	140	145	141	142	146	151	146	148	151	156	153	154	158	163
	MBh	29.5	29.9	30.8	32.1	29.3	29.7	30.5	31.8	28.5	28.9	29.8	31.1	27.2	27.6	28.5	29.8	25.6	26.0	26.9	28.2	24.2	24.6	25.5	26.8
	S/T	1.00	0.97	0.82	0.7	1.00	0.97	0.83	0.7	1.00	1.00	0.86	0.7	1.00	1.00	0.88	0.7	1.00	1.00	0.90	0.8	1.00	1.00	1.00	0.8
	ΔT	28	26	23	20	28	26	23	20	28	26	23	20	28	26	23	20	27	26	23	19	28	27	24	21
1070	kW	1.71	1.71	1.71	1.7	1.91	1.91	1.91	1.9	2.13	2.13	2.13	2.1	2.37	2.37	2.37	2.4	2.64	2.64	2.63	2.6	2.95	2.95	2.95	3.0
	Amps	6.3	6.3	6.3	6.4	7.3	7.3	7.2	7.3	8.3	8.3	8.3	8.3	9.4	9.4	9.3	9.4	10.6	10.6	10.6	10.6	12.0	12.0	12.0	12.1
	Hi-PR	251	252	253	258	290	291	292	297	331	332	333	338	375	376	378	382	422	423	425	429	473	474	476	480
	Lo-PR	123	125	128	133	131	132	135	140	137	139	142	147	143	144	147	152	148	149	152	158	155	156	159	164
	MBh	29.7	30.1	31.0	32.3	29.5	29.9	30.7	32.0	28.7	29.1	30.0	31.3	27.4	27.8	28.7	30.0	25.8	26.3	27.1	28.4	24.4	24.8	25.7	27.0
85	S/T	1.00	1.00	0.85	0.7	1.00	1.00	0.86	0.7	1.00	1.00	0.89	0.7	1.00	1.00	0.91	0.8	1.00	1.00	0.93	0.8	1.00	1.00	1.00	0.8
	ΔT	27	25	22	19	27	25	22	19	27	26	23	19	27	25	22	19	27	25	22	19	28	26	23	20
	kW	1.72	1.71	1.71	1.7	1.92	1.91	1.91	1.9	2.14	2.14	2.13	2.1	2.38	2.38	2.37	2.4	2.64	2.64	2.64	2.7	2.96	2.96	2.95	3.0
	Amps	6.4	6.4	6.4	6.4	7.3	7.3	7.3	7.3	8.3	8.3	8.3	8.3	9.4	9.4	9.4	9.4	10.6	10.6	10.6	10.7	12.1	12.1	12.0	12.1
	Hi-PR	252	253	254	259	291	292	294	298	332	333	335	339	376	377	379	383	423	424	426	430	474	475	477	481
Lo-PR	124	126	129	134	132	133	136	141	138	140	143	148	144	145	148	153	149	150	153	159	156	157	160	165	

IDB: Entering Indoor Dry Bulb Temperature
 High and low pressures are measured at the liquid and suction service valves.
 Shaded area reflects AHRI Rating Conditions.
 kW = Total system power
 Amps = Outdoor unit amps (compressor + fan)

COOLING DATA — DZ4SEA3610A* + AMST36CU1400A*

IDB		Outdoor Ambient Temperature																																			
		65°F						75°F						85°F						95°F						105°F						115°F					
		59	63	67	71	59	63	67	71	59	63	67	71	59	63	67	71	59	63	67	71	59	63	67	71	59	63	67	71								
70	1050	MBh	35.1	35.6	36.7	-	34.8	35.3	36.4	-	33.9	34.4	35.4	-	32.3	32.8	33.9	-	30.4	30.9	31.9	-	28.7	29.1	30.2	-	30.4	30.9	31.9	-	28.7	29.1	30.2	-			
		S/T	0.60	0.53	0.40	-	0.61	0.54	0.41	-	0.63	0.56	0.43	-	0.65	0.58	0.45	-	0.67	0.60	0.47	-	1.00	0.65	0.52	-	0.67	0.60	0.47	-	1.00	0.65	0.52	-			
	ΔT	18	17	13	-	18	17	13	-	18	17	14	-	18	16	13	-	18	16	13	-	19	17	14	-	18	16	13	-	18	16	13	-				
	kW	2.07	2.07	2.06	-	2.32	2.31	2.31	-	2.59	2.59	2.58	-	2.89	2.88	2.88	-	3.22	3.22	3.21	-	3.61	3.61	3.60	-	3.22	3.22	3.21	-	3.61	3.61	3.60	-				
	Amps	7.8	7.7	7.7	-	8.9	8.9	8.8	-	10.1	10.1	10.1	-	11.5	11.5	11.5	-	13.0	13.0	13.0	-	14.8	14.8	14.8	-	13.0	13.0	13.0	-	14.8	14.8	14.8	-				
	Hi PR	247	248	250	-	286	287	289	-	326	327	329	-	370	371	373	-	417	419	420	-	468	469	471	-	417	419	420	-	468	469	471	-				
	Lo PR	119	120	123	-	126	128	131	-	132	134	137	-	138	139	142	-	143	144	147	-	149	151	154	-	143	144	147	-	149	151	154	-				
	MBh	35.5	36.0	37.0	-	35.1	35.6	36.7	-	34.2	34.7	35.8	-	32.7	33.2	34.2	-	30.7	31.2	32.3	-	29.0	29.5	30.5	-	30.7	31.2	32.3	-	29.0	29.5	30.5	-				
	S/T	0.64	0.57	0.44	-	0.65	0.57	0.44	-	0.67	0.60	0.47	-	0.69	0.62	0.49	-	1.00	0.64	0.51	-	1.00	0.69	0.56	-	1.00	0.64	0.51	-	1.00	0.69	0.56	-				
	ΔT	18	16	13	-	18	16	13	-	18	16	13	-	18	16	13	-	17	16	12	-	18	17	13	-	17	16	12	-	18	17	13	-				
kW	2.08	2.08	2.07	-	2.32	2.32	2.32	-	2.60	2.60	2.59	-	2.90	2.89	2.89	-	3.23	3.23	3.22	-	3.62	3.61	3.61	-	3.23	3.23	3.22	-	3.62	3.61	3.61	-					
Amps	7.8	7.8	7.8	-	8.9	8.9	8.9	-	10.2	10.2	10.1	-	11.5	11.5	11.5	-	13.0	13.0	13.0	-	14.8	14.8	14.8	-	13.0	13.0	13.0	-	14.8	14.8	14.8	-					
Hi PR	248	249	251	-	287	288	290	-	328	329	331	-	372	373	374	-	419	420	422	-	469	470	472	-	419	420	422	-	469	470	472	-					
Lo PR	120	122	125	-	127	129	132	-	134	135	138	-	139	140	143	-	144	146	149	-	151	152	155	-	144	146	149	-	151	152	155	-					
MBh	36.3	36.7	37.8	-	35.9	36.4	37.5	-	35.0	35.5	36.6	-	33.5	34.0	35.0	-	31.5	32.0	33.1	-	29.8	30.3	31.3	-	31.5	32.0	33.1	-	29.8	30.3	31.3	-					
S/T	0.68	0.61	0.48	-	0.69	0.61	0.48	-	0.71	0.64	0.51	-	0.73	0.66	0.52	-	1.00	0.68	0.55	-	1.00	0.73	0.60	-	1.00	0.68	0.55	-	1.00	0.73	0.60	-					
ΔT	16	15	11	-	16	15	11	-	17	15	12	-	16	15	11	-	16	14	11	-	17	15	12	-	16	14	11	-	17	15	12	-					
kW	2.09	2.09	2.09	-	2.34	2.34	2.33	-	2.61	2.61	2.61	-	2.91	2.91	2.90	-	3.24	3.24	3.24	-	3.63	3.63	3.62	-	3.24	3.24	3.24	-	3.63	3.63	3.62	-					
Amps	7.9	7.8	7.8	-	9.0	9.0	9.0	-	10.2	10.2	10.2	-	11.6	11.6	11.6	-	13.1	13.1	13.1	-	14.9	14.9	14.9	-	13.1	13.1	13.1	-	14.9	14.9	14.9	-					
Hi PR	251	252	254	-	290	291	293	-	331	332	333	-	375	376	377	-	422	423	425	-	472	473	475	-	422	423	425	-	472	473	475	-					
Lo PR	123	124	127	-	130	131	134	-	136	138	141	-	142	143	146	-	147	148	151	-	153	155	158	-	147	148	151	-	153	155	158	-					

IDB		Outdoor Ambient Temperature																																			
		65°F						75°F						85°F						95°F						105°F						115°F					
		59	63	67	71	59	63	67	71	59	63	67	71	59	63	67	71	59	63	67	71	59	63	67	71	59	63	67	71								
75	1050	MBh	35.1	35.6	36.7	38.3	34.8	35.3	36.4	38.0	33.9	34.4	35.5	37.1	32.4	32.8	33.9	35.5	30.4	30.9	32.0	33.6	28.7	29.2	30.2	31.8	30.4	30.9	32.0	33.6	28.7	29.2	30.2	31.8			
		S/T	0.73	0.65	0.52	0.39	0.73	0.66	0.53	0.39	0.76	0.68	0.55	0.42	1.00	0.70	0.57	0.44	1.00	0.72	0.59	0.46	1.00	0.77	0.64	0.51	1.00	0.72	0.59	0.46	1.00	0.77	0.64	0.51			
	ΔT	22	20	17	14	22	20	17	14	22	21	17	14	22	20	17	14	22	20	17	14	23	21	18	15	22	20	17	14	23	21	18	15				
	kW	2.07	2.07	2.06	2.08	2.31	2.31	2.31	2.33	2.59	2.59	2.58	2.60	2.89	2.88	2.88	2.90	3.22	3.21	3.21	3.23	3.61	3.60	3.60	3.62	3.22	3.21	3.21	3.23	3.61	3.60	3.60	3.62				
	Amps	7.7	7.7	7.7	7.8	8.9	8.9	8.8	8.9	10.1	10.1	10.1	10.2	11.5	11.5	11.5	11.5	13.0	13.0	13.0	13.1	14.8	14.8	14.8	14.8	13.0	13.0	13.0	13.1	14.8	14.8	14.8	14.8				
	Hi PR	247	248	250	254	286	287	289	293	327	328	329	334	370	372	373	378	418	419	420	425	468	469	471	475	418	419	420	425	468	469	471	475				
	Lo PR	119	120	123	128	126	128	131	136	132	134	137	142	138	139	142	147	143	144	147	152	149	151	154	159	143	144	147	152	149	151	154	159				
	MBh	35.5	36.0	37.0	38.6	35.2	35.7	36.7	38.3	34.3	34.7	35.8	37.4	32.7	33.2	34.2	35.8	30.8	31.3	32.3	33.9	29.0	29.5	30.5	32.1	30.8	31.3	32.3	33.9	29.0	29.5	30.5	32.1				
	S/T	0.76	0.69	0.56	0.42	0.77	0.70	0.57	0.43	1.00	0.72	0.59	0.45	1.00	0.74	0.61	0.47	1.00	0.76	0.63	0.49	1.00	0.81	0.68	0.54	1.00	0.76	0.63	0.49	1.00	0.81	0.68	0.54				
	ΔT	21	20	16	13	21	20	16	13	22	20	17	13	21	20	16	13	21	19	16	13	22	20	17	14	21	19	16	13	22	20	17	14				
kW	2.08	2.07	2.07	2.09	2.32	2.32	2.32	2.34	2.60	2.59	2.59	2.61	2.89	2.89	2.89	2.91	3.23	3.22	3.22	3.24	3.61	3.61	3.61	3.63	3.23	3.22	3.22	3.24	3.61	3.61	3.61	3.63					
Amps	7.8	7.8	7.8	7.8	8.9	8.9	8.9	9.0	10.2	10.2	10.1	10.2	11.5	11.5	11.5	11.6	13.0	13.0	13.0	13.1	14.8	14.8	14.8	14.9	13.0	13.0	13.0	13.1	14.8	14.8	14.8	14.9					
Hi PR	249	250	251	256	287	288	290	294	328	329	331	335	372	373	375	379	419	420	422	426	470	471	472	477	419	420	422	426	470	471	472	477					
Lo PR	120	122	125	130	127	129	132	137	134	135	138	143	139	140	143	148	144	146	149	154	151	152	155	160	144	146	149	154	151	152	155	160					
MBh	36.3	36.8	37.8	39.4	36.0	36.5	37.5	39.1	35.0	35.5	36.6	38.2	33.5	34.0	35.0	36.6	31.6	32.0	33.1	34.7	29.8	30.3	31.3	32.9	31.6	32.0	33.1	34.7	29.8	30.3	31.3	32.9					
S/T	0.80	0.73	0.60	0.46	0.81	0.74	0.61	0.47	1.00	0.76	0.63	0.49	1.00	0.78	0.65	0.51	1.00	0.80	0.67	0.53	1.00	1.00	0.72	0.58	1.00	0.80	0.67	0.53	1.00	1.00	0.72	0.58					
ΔT	20	18	15	12	20	18	15	12	20	19	15	12	20	18	15	12	20	18	15	12	21	19	16	13	20	18	15	12	21	19	16	13					
kW	2.09	2.09	2.09	2.10	2.34	2.33	2.33	2.35	2.61	2.61	2.61	2.62	2.91	2.91	2.90	2.92	3.24	3.24	3.23	3.25	3.63	3.63	3.62	3.64	3.24	3.24	3.23	3.25	3.63	3.63	3.62	3.64					
Amps	7.8	7.8	7.8	7.9	9.0	9.0	8.9	9.0	10.2	10.2	10.2	10.3	11.6	11.6	11.6	11.6	13.1	13.1	13.1	13.2	14.9	14.9	14.9	14.9	13.1	13.1	13.1	13.2	14.9	14.9	14.9	14.9					
Hi PR	251	252	254	258	290	291	293	297	331	332	334	338	375	376	378	382	422	423	425	429	472	473	475	479	422	423	425	429	472	473	475	479					
Lo PR	123	124	127	132	130	132	135	140	136	138	141	146	142	143	146	151	147	1																			

COOLING DATA — DZ4SEA3610A* + AMST36CU1400A* (CONT.)

IDB	Airflow	Outdoor Ambient Temperature																									
		65°F				75°F				85°F				95°F				105°F				115°F					
		59	63	67	71	59	63	67	71	59	63	67	71	59	63	67	71	59	63	67	71	59	63	67	71		
80	1050	MBh	35.3	35.8	36.9	38.5	35.0	35.5	36.6	38.2	34.1	34.6	35.6	37.2	32.5	33.0	34.1	35.7	30.6	31.1	32.1	33.7	28.9	29.4	30.4	32.0	
		S/T	0.85	0.77	0.64	0.51	1.00	0.78	0.65	0.51	1.00	0.80	0.67	0.54	1.00	0.82	0.69	0.56	1.00	0.84	0.71	0.58	1.00	1.00	0.76	0.63	
		ΔT	26	24	21	18	26	24	21	18	26	24	21	18	26	24	21	18	26	24	21	17	27	25	22	18	
		kW	2.07	2.07	2.06	2.08	2.32	2.31	2.31	2.33	2.59	2.59	2.58	2.60	2.89	2.88	2.88	2.90	3.22	3.22	3.22	3.21	3.23	3.61	3.61	3.60	3.62
		Amps	7.7	7.7	7.7	7.8	8.9	8.9	8.8	8.9	10.1	10.1	10.1	10.2	11.5	11.5	11.5	11.5	13.0	13.0	13.0	13.0	13.1	14.8	14.8	14.8	14.8
		Hi-PR	248	249	250	255	286	287	289	293	327	328	330	334	371	372	374	378	418	418	419	421	425	469	470	471	476
	Lo-PR	119	121	124	129	127	128	131	136	133	134	137	142	138	140	143	148	143	145	148	153	153	150	151	154	160	
	MBh	35.7	36.2	37.2	38.8	35.3	35.8	36.9	38.5	34.4	34.9	36.0	37.6	32.9	33.4	34.4	36.0	30.9	31.4	32.5	34.1	29.2	29.7	30.7	32.3		
	S/T	0.89	0.81	0.68	0.54	1.00	0.82	0.69	0.55	1.00	0.84	0.71	0.57	1.00	0.86	0.73	0.59	1.00	1.00	0.75	0.61	1.00	1.00	0.80	0.66		
	ΔT	25	23	20	17	25	23	20	17	25	24	20	17	25	23	20	17	25	23	20	17	26	24	21	18		
	kW	2.08	2.08	2.07	2.09	2.32	2.32	2.32	2.34	2.60	2.60	2.59	2.61	2.89	2.89	2.89	2.91	3.23	3.23	3.22	3.22	3.24	3.62	3.61	3.61	3.63	
	Amps	7.8	7.8	7.8	7.8	8.9	8.9	8.9	9.0	10.2	10.2	10.1	10.2	11.5	11.5	11.5	11.6	13.0	13.0	13.0	13.0	13.1	14.8	14.8	14.8	14.9	
Hi-PR	249	250	252	256	288	289	291	295	329	330	331	336	372	373	375	379	420	421	422	422	427	470	471	473	477		
Lo-PR	121	122	125	130	128	129	132	137	134	136	139	144	139	141	144	149	145	146	149	154	154	151	153	156	161		
MBh	36.5	37.0	38.0	39.6	36.1	36.6	37.7	39.3	35.2	35.7	36.8	38.4	33.7	34.2	35.2	36.8	31.7	32.2	33.3	34.9	30.0	30.5	31.5	33.1			
S/T	1.00	0.85	0.72	0.58	1.00	0.86	0.73	0.59	1.00	0.88	0.75	0.61	1.00	0.90	0.77	0.63	1.00	1.00	0.79	0.65	1.00	1.00	0.84	0.70			
ΔT	24	22	19	16	24	22	19	16	24	22	19	16	24	22	19	16	24	22	19	15	25	23	20	17			
kW	2.09	2.09	2.09	2.11	2.34	2.34	2.33	2.35	2.61	2.61	2.61	2.63	2.91	2.91	2.90	2.92	3.24	3.24	3.24	3.24	3.25	3.63	3.63	3.62	3.64		
Amps	7.9	7.8	7.8	7.9	9.0	9.0	9.0	9.0	10.2	10.2	10.2	10.3	11.6	11.6	11.6	11.7	13.1	13.1	13.1	13.2	14.9	14.9	14.9	15.0			
Hi-PR	252	253	255	259	291	292	293	298	331	332	334	338	375	376	378	382	422	423	425	430	473	474	476	480			
Lo-PR	123	125	128	133	131	132	135	140	137	138	141	146	142	144	147	152	147	149	152	157	154	155	158	164			
85	1050	MBh	35.9	36.4	37.5	39.1	35.6	36.1	37.1	38.7	34.7	35.2	36.2	37.8	33.1	33.6	34.7	36.3	31.2	31.7	32.7	34.3	29.4	29.9	31.0	32.6	
		S/T	1.00	0.87	0.74	0.6	1.00	0.88	0.75	0.6	1.00	1.00	0.77	0.6	1.00	1.00	0.79	0.7	1.00	1.00	0.81	0.7	1.00	1.00	0.86	0.7	
		ΔT	29	28	24	21	29	27	24	21	29	28	25	21	29	27	24	21	29	27	24	21	30	28	25	22	
		kW	2.07	2.07	2.07	2.1	2.32	2.32	2.31	2.3	2.59	2.59	2.59	2.6	2.89	2.89	2.88	2.9	3.22	3.22	3.22	3.2	3.2	3.61	3.61	3.61	3.6
		Amps	7.8	7.8	7.7	7.8	8.9	8.9	8.9	9.0	10.2	10.1	10.1	10.2	11.5	11.5	11.5	11.6	13.0	13.0	13.0	13.1	14.8	14.8	14.8	14.9	
		Hi-PR	249	250	251	256	288	289	290	295	328	329	331	335	372	373	375	379	419	420	422	426	470	471	473	477	
	Lo-PR	121	123	126	131	128	130	133	138	135	136	139	144	140	141	144	150	145	147	150	155	152	153	156	161		
	MBh	36.2	36.7	37.8	39.4	35.9	36.4	37.5	39.1	35.0	35.5	36.6	38.2	33.4	33.9	35.0	36.6	31.5	32.0	33.1	34.7	29.8	30.3	31.3	32.9		
	S/T	1.00	0.91	0.78	0.6	1.00	0.92	0.78	0.6	1.00	1.00	0.81	0.7	1.00	1.00	0.83	0.7	1.00	1.00	0.85	0.7	1.00	1.00	0.90	0.8		
	ΔT	29	27	24	20	29	27	24	20	29	27	24	20	29	27	24	20	29	27	23	20	29	28	24	21		
	kW	2.08	2.08	2.08	2.1	2.33	2.33	2.32	2.3	2.60	2.60	2.60	2.6	2.90	2.90	2.89	2.9	3.23	3.23	3.23	3.2	3.2	3.62	3.62	3.61	3.6	
	Amps	7.8	7.8	7.8	7.9	8.9	8.9	8.9	9.0	10.2	10.2	10.2	10.2	11.6	11.6	11.5	11.6	13.1	13.1	13.0	13.1	14.8	14.8	14.8	14.9		
Hi-PR	250	251	253	257	289	290	292	296	330	331	332	337	373	375	376	381	421	422	424	428	471	472	474	478			
Lo-PR	122	124	127	132	130	131	134	139	136	137	140	145	141	143	146	151	146	148	151	156	153	154	157	163			
MBh	37.0	37.5	38.6	40.2	36.7	37.2	38.3	39.9	35.8	36.3	37.4	39.0	34.2	34.7	35.8	37.4	32.3	32.8	33.9	35.5	30.6	31.1	32.1	33.7			
S/T	1.00	0.95	0.82	0.7	1.00	0.95	0.82	0.7	1.00	1.00	0.85	0.7	1.00	1.00	0.87	0.7	1.00	1.00	0.89	0.8	1.00	1.00	1.00	0.8			
ΔT	27	26	22	19	27	26	22	19	28	26	23	19	27	26	22	19	27	25	22	19	28	26	23	20			
kW	2.10	2.10	2.09	2.1	2.34	2.34	2.34	2.4	2.62	2.62	2.61	2.6	2.91	2.91	2.91	2.9	3.25	3.24	3.24	3.3	3.64	3.63	3.63	3.6			
Amps	7.9	7.9	7.8	7.9	9.0	9.0	9.0	9.1	10.3	10.2	10.2	10.3	11.6	11.6	11.6	11.7	13.1	13.1	13.1	13.2	14.9	14.9	14.9	15.0			
Hi-PR	253	254	256	260	292	293	295	299	333	334	335	340	376	377	379	383	424	425	426	431	474	475	477	481			
Lo-PR	125	127	130	135	132	134	137	142	139	140	143	148	144	145	148	154	149	151	154	159	156	157	160	165			

IDB: Entering Indoor Dry Bulb Temperature
 High and low pressures are measured at the liquid and suction service valves.
 Shaded area reflects AHRI Rating Conditions.
 Amps = Outdoor unit amps (compressor + fan)
 kW = Total system power

COOLING DATA — DZ4SEA4210A* + AMST42CU1400A*

IDB	AIRFLOW	OUTDOOR AMBIENT TEMPERATURE												105°F												115°F															
		65°F						75°F						85°F						95°F						105°F						115°F									
		59	63	67	71	59	63	67	71	59	63	67	71	59	63	67	71	59	63	67	71	59	63	67	71	59	63	67	71	59	63	67	71								
70	MBh	40.9	41.4	42.6	-	40.5	41.1	42.3	-	39.4	40.0	41.2	-	37.6	38.2	39.4	-	35.4	35.9	37.2	-	33.3	33.9	35.1	-	35.4	35.9	37.2	-	33.3	33.9	35.1	-	35.4	35.9	37.2	-	33.3	33.9	35.1	-
	S/T	0.63	0.55	0.42	-	0.63	0.56	0.42	-	0.66	0.58	0.45	-	0.68	0.60	0.47	-	1.00	0.63	0.49	-	1.00	0.68	0.54	-	1.00	0.63	0.49	-	1.00	0.68	0.54	-	1.00	0.63	0.49	-	1.00	0.68	0.54	-
	ΔT	19	17	14	-	19	17	14	-	19	17	14	-	19	17	14	-	18	17	13	-	19	18	14	-	18	17	13	-	19	18	14	-	18	17	13	-	19	18	14	-
	kW	2.42	2.42	2.41	-	2.70	2.70	2.70	-	3.02	3.01	3.01	-	3.36	3.35	3.35	-	3.74	3.73	3.73	-	4.18	4.18	4.17	-	3.74	3.73	3.73	-	4.18	4.18	4.17	-	3.74	3.73	3.73	-	4.18	4.18	4.17	-
	Amps	9.0	9.0	9.0	-	10.3	10.3	10.3	-	11.7	11.7	11.7	-	13.3	13.3	13.3	-	15.0	15.0	15.0	-	17.1	17.1	17.0	-	15.0	15.0	15.0	-	17.1	17.1	17.0	-	15.0	15.0	15.0	-	17.1	17.1	17.0	-
	Hi PR	240	241	243	-	278	279	281	-	318	319	321	-	361	362	363	-	407	408	409	-	456	457	458	-	407	408	409	-	456	457	458	-	407	408	409	-	456	457	458	-
	Lo PR	120	121	124	-	127	129	132	-	134	135	138	-	139	140	143	-	144	146	149	-	151	152	155	-	144	146	149	-	151	152	155	-	144	146	149	-	151	152	155	-
	MBh	41.2	41.8	43.0	-	40.9	41.4	42.7	-	39.8	40.4	41.6	-	38.0	38.5	39.8	-	35.7	36.3	37.5	-	33.7	34.3	35.5	-	35.7	36.3	37.5	-	33.7	34.3	35.5	-	35.7	36.3	37.5	-	33.7	34.3	35.5	-
	S/T	0.67	0.59	0.45	-	0.67	0.60	0.46	-	0.70	0.62	0.49	-	0.72	0.64	0.51	-	1.00	0.66	0.53	-	1.00	0.71	0.58	-	1.00	0.66	0.53	-	1.00	0.71	0.58	-	1.00	0.66	0.53	-	1.00	0.71	0.58	-
	ΔT	18	16	13	-	18	16	13	-	18	16	13	-	18	16	13	-	18	16	13	-	19	17	14	-	18	16	13	-	19	17	14	-	18	16	13	-	19	17	14	-
kW	2.43	2.43	2.42	-	2.71	2.71	2.71	-	3.03	3.02	3.02	-	3.37	3.36	3.36	-	3.75	3.74	3.74	-	4.19	4.19	4.18	-	3.75	3.74	3.74	-	4.19	4.19	4.18	-	3.75	3.74	3.74	-	4.19	4.19	4.18	-	
Amps	9.1	9.1	9.0	-	10.3	10.3	10.3	-	11.8	11.8	11.8	-	13.3	13.3	13.3	-	15.1	15.1	15.1	-	17.1	17.1	17.1	-	15.1	15.1	15.1	-	17.1	17.1	17.1	-	15.1	15.1	15.1	-	17.1	17.1	17.1	-	
Hi PR	242	243	245	-	280	281	282	-	319	320	322	-	362	363	365	-	408	409	411	-	457	458	460	-	408	409	411	-	457	458	460	-	408	409	411	-	457	458	460	-	
Lo PR	121	123	126	-	128	130	133	-	135	136	139	-	140	142	145	-	145	147	150	-	152	154	157	-	145	147	150	-	152	154	157	-	145	147	150	-	152	154	157	-	
MBh	42.2	42.7	44.0	-	41.8	42.4	43.6	-	40.7	41.3	42.5	-	38.9	39.5	40.7	-	36.7	37.3	38.5	-	34.6	35.2	36.4	-	36.7	37.3	38.5	-	34.6	35.2	36.4	-	36.7	37.3	38.5	-	34.6	35.2	36.4	-	
S/T	0.71	0.63	0.50	-	0.71	0.64	0.50	-	0.74	0.66	0.53	-	0.76	0.68	0.55	-	1.00	0.70	0.57	-	1.00	0.76	0.62	-	1.00	0.70	0.57	-	1.00	0.76	0.62	-	1.00	0.70	0.57	-	1.00	0.76	0.62	-	
ΔT	17	15	12	-	17	15	12	-	17	15	12	-	17	15	12	-	16	15	11	-	18	16	13	-	16	15	11	-	18	16	13	-	16	15	11	-	18	16	13	-	
kW	2.45	2.45	2.44	-	2.73	2.73	2.72	-	3.04	3.04	3.04	-	3.38	3.38	3.38	-	3.76	3.76	3.76	-	4.21	4.21	4.20	-	3.76	3.76	3.76	-	4.21	4.21	4.20	-	3.76	3.76	3.76	-	4.21	4.21	4.20	-	
Amps	9.1	9.1	9.1	-	10.4	10.4	10.4	-	11.9	11.9	11.8	-	13.4	13.4	13.4	-	15.2	15.1	15.1	-	17.2	17.2	17.2	-	15.2	15.1	15.1	-	17.2	17.2	17.2	-	15.2	15.1	15.1	-	17.2	17.2	17.2	-	
Hi PR	245	246	247	-	282	283	285	-	322	323	325	-	365	366	368	-	411	412	414	-	460	461	463	-	411	412	414	-	460	461	463	-	411	412	414	-	460	461	463	-	
Lo PR	124	125	128	-	131	133	136	-	138	139	142	-	143	144	148	-	148	150	153	-	155	156	159	-	148	150	153	-	155	156	159	-	148	150	153	-	155	156	159	-	
75	MBh	40.9	41.5	42.7	44.5	40.5	41.1	42.3	44.2	39.4	40.0	41.2	43.1	37.6	38.2	39.4	41.3	35.4	36.0	37.2	39.0	33.3	33.9	35.1	37.0	35.4	36.0	37.2	39.0	33.3	33.9	35.1	37.0	35.4	36.0	37.2	39.0	33.3	33.9	35.1	37.0
	S/T	0.76	0.68	0.55	0.40	0.76	0.69	0.55	0.41	1.00	0.71	0.58	0.43	1.00	0.73	0.60	0.45	1.00	0.75	0.62	0.47	1.00	0.84	0.71	0.57	1.00	0.75	0.62	0.48	1.00	0.84	0.71	0.57	1.00	0.75	0.62	0.48	1.00	0.84	0.71	0.57
	ΔT	23	21	18	14	23	21	17	14	23	21	18	14	22	21	17	14	22	21	17	14	23	21	18	15	22	21	17	14	23	21	18	15	22	21	17	14	23	21	18	15
	kW	2.42	2.42	2.41	2.43	2.70	2.70	2.69	2.72	3.01	3.01	3.01	3.03	3.35	3.35	3.35	3.37	3.73	3.73	3.73	3.75	4.18	4.18	4.17	4.19	3.73	3.73	3.73	3.75	4.18	4.18	4.17	4.19	3.73	3.73	3.73	3.75	4.18	4.18	4.17	4.19
	Amps	9.0	9.0	9.0	9.1	10.3	10.3	10.3	10.4	11.7	11.7	11.7	11.8	13.3	13.3	13.3	13.4	15.0	15.0	15.0	15.1	17.1	17.1	17.0	17.1	15.0	15.0	15.0	15.1	17.1	17.1	17.0	17.1	15.0	15.0	15.0	15.1	17.1	17.1	17.0	17.1
	Hi PR	241	242	243	248	278	280	281	285	318	319	321	325	361	362	364	368	407	408	410	414	456	457	459	463	407	408	410	414	456	457	459	463	407	408	410	414	456	457	459	463
	Lo PR	120	121	124	130	127	129	132	137	134	135	138	143	139	140	144	149	144	146	149	154	151	152	155	160	144	146	149	154	151	152	155	160	144	146	149	154	151	152	155	160
	MBh	41.3	41.8	43.0	44.9	40.9	41.5	42.7	44.5	39.8	40.4	41.6	43.5	38.0	38.6	39.8	41.6	35.8	36.3	37.6	39.4	33.7	34.3	35.5	37.4	35.8	36.3	37.6	39.4	33.7	34.3	35.5	37.4	35.8	36.3	37.6	39.4	33.7	34.3	35.5	37.4
	S/T	0.80	0.72	0.58	0.44	0.80	0.73	0.59	0.45	1.00	0.75	0.62	0.47	1.00	0.77	0.63	0.49	1.00	0.79	0.66	0.51	1.00	0.84	0.71	0.57	1.00	0.79	0.66	0.51	1.00	0.84	0.71	0.57	1.00	0.79	0.66	0.51	1.00	0.84	0.71	0.57
	ΔT	22	20	17	13	22	20	17	13	22	20	17	14	22	20	17	13	22	20	17	13	23	21	18	14	22	20	17	13	23	21	18	14	22	20	17	13	23	21	18	14
kW	2.43	2.43	2.42	2.44	2.71	2.71	2.70	2.72	3.02	3.02	3.02	3.04	3.36	3.36	3.36	3.38	3.74	3.74	3.74	3.76	4.19	4.19	4.18	4.20	3.74	3.74	3.74	3.76	4.19	4.19	4.18	4.20	3.74	3.74	3.74	3.76	4.19	4.19	4.18	4.20	
Amps	9.1	9.0	9.0	9.1	10.3	10.3	10.3	10.4	11.8	11.8	11.7	11.8	13.3	13.3	13.3	13.4	15.1	15.1	15.1	15.1	17.1	17.1	17.1	17.2	15.1	15.1	15.1	15.1	17.1	17.1	17.1	17.2	15.1	15.1	15.1	15.1	17.1	17.1	17.1	17.2	
Hi PR	242	243	245	249	280	281	283	287	320	321	322	326	362	363	365	369	408	409	411	415	457	458	460	464	408	409	411	415	457	458	460	464	408	409	411	415	457	458	460	464	
Lo PR	121	123	126	131	128	130	133	138	135	136	139	144	140	142	145	149	145	147	150	155	152	154	157	162	145	147	150	155	152	154	157	162	145	147	150	155	152	154	157	162	
MBh	42.2	42.8	44.0	45.8	41.8	42.4	43.6	45.5	40.8	41.3	42.6	44.4	38.9	39.5	40.7	42.6	36.7	37.3	38.5	40.3																					

COOLING DATA — DZ4SEA4210A* + AMST42CU1400A* (CONT.)

IDB		OUTDOOR AMBIENT TEMPERATURE												ENTERING INDOOR WET BULB TEMPERATURE											
		65°F				75°F				85°F				95°F				105°F				115°F			
		59	63	67	71	59	63	67	71	59	63	67	71	59	63	67	71	59	63	67	71	59	63	67	71
1225	MBh	41.1	41.7	42.9	44.7	40.7	41.3	42.5	44.4	39.7	40.2	41.5	43.3	37.8	38.4	39.6	41.5	35.6	36.2	37.4	39.2	33.6	34.1	35.3	37.2
	S/T	0.88	0.81	0.67	0.53	1.00	0.81	0.68	0.53	1.00	0.84	0.70	0.56	1.00	0.86	0.72	0.58	1.00	1.00	0.74	0.60	1.00	1.00	0.80	0.65
	ΔT	26	25	21	18	26	25	21	18	27	25	22	18	26	25	21	18	26	24	21	18	27	26	22	19
	kW	2.42	2.42	2.41	2.44	2.70	2.70	2.70	2.72	3.02	3.01	3.01	3.03	3.36	3.35	3.35	3.37	3.74	3.73	3.73	3.75	4.18	4.18	4.17	4.20
	Amps	9.0	9.0	9.0	9.1	10.3	10.3	10.3	10.4	11.7	11.7	11.7	11.8	13.3	13.3	13.3	13.4	15.0	15.0	15.0	15.1	17.1	17.1	17.1	17.1
	Hi/PR	241	242	244	248	279	280	282	286	319	320	321	325	361	362	364	368	407	408	410	414	456	457	459	463
Lo/PR	121	122	125	130	128	129	132	137	134	136	139	144	140	141	144	149	145	146	149	154	151	153	156	161	
1340	MBh	41.5	42.0	43.3	45.1	41.1	41.7	42.9	44.7	40.0	40.6	41.8	43.7	38.2	38.8	40.0	41.9	36.0	36.5	37.8	39.6	33.9	34.5	35.7	37.6
	S/T	0.92	0.85	0.71	0.57	1.00	0.85	0.72	0.57	1.00	0.88	0.74	0.60	1.00	0.90	0.76	0.62	1.00	1.00	0.78	0.64	1.00	1.00	0.83	0.69
	ΔT	26	24	21	17	26	24	21	17	26	24	21	17	26	24	21	17	25	24	20	17	27	25	22	18
	kW	2.43	2.43	2.42	2.44	2.71	2.71	2.70	2.73	3.03	3.02	3.02	3.04	3.37	3.36	3.36	3.38	3.75	3.74	3.74	3.76	4.19	4.19	4.18	4.21
	Amps	9.1	9.0	9.0	9.1	10.3	10.3	10.3	10.4	11.8	11.8	11.8	11.9	13.3	13.3	13.3	13.4	15.1	15.1	15.0	15.1	17.1	17.1	17.1	17.2
	Hi/PR	242	244	245	249	280	281	283	287	320	321	323	327	363	364	365	370	409	410	411	416	458	459	461	465
Lo/PR	122	123	126	131	129	130	134	139	135	137	140	145	141	142	145	150	146	147	151	156	153	154	157	162	
1575	MBh	42.4	43.0	44.2	46.0	42.0	42.6	43.8	45.7	41.0	41.5	42.8	44.6	39.1	39.7	40.9	42.8	36.9	37.5	38.7	40.6	34.9	35.4	36.7	38.5
	S/T	1.00	0.89	0.75	0.61	1.00	0.89	0.76	0.61	1.00	0.92	0.78	0.64	1.00	0.94	0.80	0.66	1.00	1.00	0.82	0.68	1.00	1.00	0.87	0.73
	ΔT	25	23	19	16	24	23	19	16	25	23	20	16	24	23	19	16	24	22	19	16	25	24	20	17
	kW	2.45	2.45	2.44	2.46	2.73	2.73	2.72	2.74	3.04	3.04	3.04	3.06	3.38	3.38	3.38	3.40	3.76	3.76	3.76	3.78	4.21	4.21	4.20	4.22
	Amps	9.1	9.1	9.1	9.2	10.4	10.4	10.4	10.5	11.9	11.9	11.8	11.9	13.4	13.4	13.4	13.5	15.2	15.1	15.1	15.2	17.2	17.2	17.2	17.3
	Hi/PR	245	246	248	252	283	284	286	290	323	324	325	330	365	366	368	372	411	412	414	418	461	462	463	467
Lo/PR	125	126	129	134	132	133	136	141	138	140	143	148	144	145	148	153	149	150	153	158	155	157	160	165	

1225	MBh	41.8	42.3	43.6	45.4	41.4	42.0	43.2	45.1	40.3	40.9	42.1	44.0	38.5	39.1	40.3	42.2	36.3	36.9	38.1	39.9	34.2	34.8	36.0	37.9
	S/T	1.00	0.91	0.77	0.6	1.00	0.91	0.78	0.6	1.00	1.00	0.80	0.7	1.00	1.00	0.82	0.7	1.00	1.00	0.85	0.7	1.00	1.00	0.90	0.8
	ΔT	30	28	25	21	30	28	25	21	30	28	25	22	30	28	25	21	30	28	25	21	31	29	26	22
	kW	2.43	2.42	2.42	2.4	2.71	2.71	2.70	2.7	3.02	3.02	3.01	3.0	3.36	3.36	3.35	3.4	3.74	3.74	3.73	3.8	4.19	4.18	4.18	4.2
	Amps	9.0	9.0	9.0	9.1	10.3	10.3	10.3	10.4	11.8	11.8	11.7	11.8	13.3	13.3	13.3	13.4	15.1	15.0	15.0	15.1	17.1	17.1	17.1	17.2
	Hi/PR	242	243	245	249	280	281	283	287	320	321	322	327	362	363	365	369	408	409	411	415	458	459	460	464
Lo/PR	122	124	127	132	130	131	134	139	136	137	140	146	141	143	146	151	147	148	151	156	153	155	158	163	
1340	MBh	42.2	42.7	43.9	45.8	41.8	42.4	43.6	45.4	40.7	41.3	42.5	44.4	38.9	39.5	40.7	42.5	36.7	37.2	38.5	40.3	34.6	35.2	36.4	38.3
	S/T	1.00	0.95	0.81	0.7	1.00	0.95	0.82	0.7	1.00	1.00	0.84	0.7	1.00	1.00	0.86	0.7	1.00	1.00	0.88	0.7	1.00	1.00	1.00	0.8
	ΔT	29	27	24	21	29	27	24	21	29	28	24	21	29	27	24	21	29	27	24	20	30	28	25	22
	kW	2.44	2.43	2.43	2.5	2.72	2.72	2.71	2.7	3.03	3.03	3.02	3.0	3.37	3.37	3.36	3.4	3.75	3.75	3.74	3.8	4.20	4.19	4.19	4.2
	Amps	9.1	9.1	9.1	9.2	10.4	10.4	10.3	10.4	11.8	11.8	11.8	11.9	13.4	13.4	13.3	13.4	15.1	15.1	15.1	15.2	17.1	17.1	17.1	17.2
	Hi/PR	244	245	246	251	281	282	284	288	321	322	324	328	364	365	366	371	410	411	413	417	459	460	462	466
Lo/PR	124	125	128	133	131	132	135	140	137	139	142	147	143	144	147	152	148	149	152	157	154	156	159	164	
1575	MBh	43.1	43.7	44.9	46.7	42.7	43.3	44.5	46.4	41.7	42.2	43.4	45.3	39.8	40.4	41.6	43.5	37.6	38.2	39.4	41.2	35.6	36.1	37.3	39.2
	S/T	1.00	0.99	0.85	0.7	1.00	0.99	0.86	0.7	1.00	1.00	0.88	0.7	1.00	1.00	0.90	0.8	1.00	1.00	0.92	0.8	1.00	1.00	1.00	0.8
	ΔT	28	26	23	20	28	26	23	19	28	26	23	20	28	26	23	19	28	26	23	19	29	27	24	20
	kW	2.45	2.45	2.45	2.5	2.73	2.73	2.73	2.7	3.05	3.05	3.04	3.1	3.39	3.39	3.38	3.4	3.77	3.77	3.76	3.8	4.21	4.21	4.21	4.2
	Amps	9.2	9.2	9.1	9.2	10.4	10.4	10.4	10.5	11.9	11.9	11.9	12.0	13.4	13.4	13.4	13.5	15.2	15.2	15.1	15.2	17.2	17.2	17.2	17.3
	Hi/PR	246	247	249	253	284	285	287	291	324	325	327	331	367	368	369	373	413	414	415	419	462	463	464	469
Lo/PR	126	128	131	136	134	135	138	143	140	141	144	150	145	147	150	155	151	152	155	160	157	159	162	167	

IDB: Entering Indoor Dry Bulb Temperature
 High and low pressures are measured at the liquid and suction service valves.
 Shaded area reflects AHRI Rating Conditions.
 kW = Total system power
 Amps = Outdoor unit amps (compressor + fan)

COOLING DATA — DZ4SEA4810A* + AMST48CU1400A*

IDB		OUTDOOR AMBIENT TEMPERATURE																								
		65°F				75°F				85°F				95°F				105°F				115°F				
		59	63	67	71	59	63	67	71	59	63	67	71	59	63	67	71	59	63	67	71	59	63	67	71	
1400		MBh	46.7	47.3	48.7	-	46.3	46.9	48.3	-	45.1	45.7	47.1	-	43.0	43.6	45.0	-	40.4	41.1	42.5	-	38.1	38.8	40.2	-
		S/T	0.63	0.56	0.43	-	0.64	0.56	0.43	-	0.66	0.59	0.46	-	0.68	0.61	0.48	-	1.00	0.63	0.50	-	1.00	0.68	0.55	-
1460		ΔT	19	17	14	-	19	17	13	-	19	17	14	-	19	17	13	-	18	17	13	-	19	18	14	-
		kW	2.73	2.73	2.73	-	3.06	3.06	3.05	-	3.43	3.43	3.42	-	3.82	3.82	3.82	-	4.27	4.27	4.26	-	4.79	4.79	4.78	-
70		Amps	10.3	10.3	10.3	-	11.8	11.8	11.8	-	13.5	13.5	13.5	-	15.3	15.3	15.3	-	17.3	17.3	17.3	-	19.7	19.7	19.7	-
		Hi-PR	243	244	246	-	282	283	284	-	322	323	324	-	365	366	367	-	411	412	414	-	461	462	463	-
1600		Lo-PR	120	121	124	-	127	129	132	-	134	135	138	-	139	140	143	-	144	146	149	-	151	152	155	-
		MBh	46.9	47.6	48.9	-	46.5	47.1	48.5	-	45.3	45.9	47.3	-	43.2	43.9	45.2	-	40.7	41.3	42.7	-	38.3	39.0	40.4	-
75		S/T	0.65	0.57	0.44	-	0.66	0.58	0.45	-	0.68	0.61	0.47	-	0.70	0.62	0.49	-	1.00	0.65	0.51	-	1.00	0.70	0.56	-
		ΔT	18	17	13	-	18	16	13	-	19	17	13	-	18	16	13	-	18	16	13	-	19	17	14	-
1400		kW	2.74	2.74	2.73	-	3.07	3.06	3.06	-	3.43	3.43	3.43	-	3.83	3.83	3.82	-	4.27	4.27	4.26	-	4.79	4.79	4.78	-
		Amps	10.3	10.3	10.3	-	11.8	11.8	11.8	-	13.5	13.5	13.5	-	15.3	15.3	15.3	-	17.4	17.4	17.3	-	19.7	19.7	19.7	-
1460		Hi-PR	244	245	247	-	282	283	285	-	322	323	325	-	365	366	368	-	412	413	414	-	461	462	464	-
		Lo-PR	121	122	125	-	128	129	132	-	134	136	139	-	139	141	144	-	145	146	149	-	151	153	156	-
1600		MBh	47.4	48.1	49.5	-	47.0	47.7	49.1	-	45.8	46.5	47.9	-	43.7	44.4	45.8	-	41.2	41.9	43.2	-	38.9	39.5	40.9	-
		S/T	0.68	0.60	0.47	-	0.68	0.61	0.48	-	0.71	0.63	0.50	-	0.73	0.65	0.52	-	1.00	0.67	0.54	-	1.00	0.72	0.59	-
75		ΔT	18	16	12	-	18	16	12	-	18	16	13	-	18	16	12	-	17	15	12	-	18	17	13	-
		kW	2.75	2.75	2.74	-	3.08	3.08	3.07	-	3.44	3.44	3.44	-	3.84	3.84	3.83	-	4.28	4.28	4.28	-	4.80	4.80	4.80	-
1400		Amps	10.4	10.4	10.4	-	11.9	11.9	11.9	-	13.6	13.6	13.5	-	15.4	15.4	15.4	-	17.4	17.4	17.4	-	19.8	19.8	19.8	-
		Hi-PR	246	247	248	-	284	285	286	-	324	325	326	-	367	368	370	-	413	414	416	-	463	464	466	-
1460		Lo-PR	122	123	127	-	129	131	134	-	136	137	140	-	141	142	145	-	146	148	151	-	153	154	157	-
		MBh	46.7	47.4	48.8	50.9	46.3	47.0	48.3	50.4	45.1	45.7	47.1	49.2	43.0	43.7	45.0	47.2	40.5	41.1	42.5	44.6	38.1	38.8	40.2	42.3
75		S/T	0.76	0.68	0.55	0.41	0.76	0.69	0.56	0.42	1.00	0.72	0.58	0.44	1.00	0.73	0.60	0.46	1.00	0.76	0.62	0.48	1.00	0.81	0.67	0.53
		ΔT	23	21	17	14	23	21	17	14	23	21	18	14	23	21	17	14	22	20	17	14	23	22	18	15
1400		kW	2.73	2.73	2.72	2.75	3.06	3.06	3.05	3.08	3.43	3.42	3.42	3.44	3.82	3.82	3.81	3.84	4.27	4.26	4.26	4.28	4.79	4.78	4.78	4.80
		Amps	10.3	10.3	10.3	10.4	11.8	11.8	11.8	11.9	13.5	13.5	13.5	13.6	15.3	15.3	15.3	15.4	17.3	17.3	17.3	17.4	19.7	19.7	19.7	19.8
1460		Hi-PR	244	245	246	251	282	283	284	289	322	323	324	329	365	366	368	372	411	412	414	418	461	462	464	468
		Lo-PR	120	121	124	130	127	129	132	137	134	135	138	143	139	140	143	148	144	144	146	149	154	151	152	155
75		MBh	46.9	47.6	49.0	51.1	46.5	47.2	48.5	50.7	45.3	46.0	47.3	49.5	43.2	43.9	45.3	47.4	40.7	41.3	42.7	44.8	38.4	39.0	40.4	42.5
		S/T	0.77	0.70	0.57	0.43	0.78	0.71	0.57	0.44	1.00	0.73	0.60	0.46	1.00	0.75	0.62	0.48	1.00	0.77	0.64	0.50	1.00	0.82	0.69	0.55
1400		ΔT	22	20	17	14	22	20	17	14	22	21	17	14	22	20	17	14	22	20	17	13	23	21	18	14
		kW	2.74	2.73	2.73	2.75	3.06	3.06	3.06	3.08	3.43	3.43	3.42	3.45	3.83	3.83	3.82	3.84	4.27	4.27	4.26	4.29	4.79	4.79	4.78	4.81
1460		Amps	10.3	10.3	10.3	10.4	11.8	11.8	11.8	11.9	13.5	13.5	13.6	15.3	15.3	15.3	15.4	17.4	17.3	17.3	17.4	19.7	19.7	19.7	19.8	
		Hi-PR	244	245	247	251	282	283	285	289	322	323	325	329	365	366	368	372	412	413	415	419	461	462	464	468
1600		Lo-PR	121	122	125	130	128	129	132	137	134	136	139	144	139	141	144	149	145	146	149	154	151	153	156	161
		MBh	47.5	48.1	49.5	51.6	47.1	47.7	49.1	51.2	45.9	46.5	47.9	50.0	43.8	44.4	45.8	47.9	41.2	41.9	43.3	45.4	38.9	39.6	40.9	43.1
75		S/T	0.80	0.73	0.60	0.46	0.81	0.73	0.60	0.46	1.00	0.76	0.63	0.49	1.00	0.78	0.65	0.51	1.00	0.80	0.67	0.53	1.00	0.85	0.72	0.58
		ΔT	22	20	16	13	21	20	16	13	22	20	17	13	21	20	16	13	21	19	16	13	22	21	17	14
1400		kW	2.75	2.74	2.74	2.76	3.08	3.07	3.07	3.09	3.44	3.44	3.43	3.46	3.84	3.84	3.83	3.86	4.28	4.28	4.27	4.30	4.80	4.80	4.79	4.82
		Amps	10.4	10.4	10.3	10.5	11.9	11.9	11.9	12.0	13.6	13.6	13.5	13.6	15.4	15.4	15.3	15.5	17.4	17.4	17.4	17.5	19.8	19.8	19.8	19.9
1460		Hi-PR	246	247	248	253	284	285	287	291	324	325	327	331	367	368	370	374	413	414	416	420	463	464	466	470
		Lo-PR	122	124	127	132	129	131	134	139	136	137	140	145	141	142	145	151	146	148	151	156	153	154	157	162

IDB: Entering Indoor Dry Bulb Temperature
 High and low pressures are measured at the liquid and suction service valves.
 Shaded area reflects ACCA (TVA) Rating Conditions.
 Amps = Outdoor unit amps (compressor + fan)
 kW = Total system power

COOLING DATA — DDZ4SEA4810A* + AMST48CU1400A* (CONT.)

IDB		OUTDOOR AMBIENT TEMPERATURE																																															
		65°F								75°F								85°F								95°F								105°F								115°F							
		AIRFLOW		59	63	67	71	59	63	67	71	ENTERING INDOOR WET BULB TEMPERATURE		59	63	67	71	ENTERING INDOOR WET BULB TEMPERATURE		59	63	67	71	ENTERING INDOOR WET BULB TEMPERATURE		59	63	67	71	ENTERING INDOOR WET BULB TEMPERATURE		59	63	67	71	ENTERING INDOOR WET BULB TEMPERATURE		59	63	67	71								
1400	MBh	47.0	47.6	49.0	51.1	46.5	47.2	48.6	50.7	45.3	46.0	47.4	49.5	43.3	43.9	45.3	47.4	40.7	41.4	42.7	44.9	40.7	41.4	42.7	44.9	40.7	41.4	42.7	44.9	40.7	41.4	42.7	44.9	40.7	41.4	42.7	44.9	40.7	41.4	42.7	44.9								
	S/T	0.88	0.81	0.67	0.54	1.00	0.81	0.68	0.54	1.00	0.84	0.71	0.57	1.00	0.86	0.72	0.58	1.00	1.00	0.84	0.71	1.00	1.00	0.84	0.71	1.00	1.00	0.84	0.71	1.00	1.00	0.84	0.71	1.00	1.00	0.84	0.71	1.00	1.00	0.84	0.71								
	ΔT	27	25	21	18	27	25	21	18	27	25	22	18	26	25	21	18	26	24	21	18	26	24	21	18	26	24	21	18	26	24	21	18	26	24	21	18	26	24	21	18								
	kW	2.73	2.73	2.72	2.75	3.06	3.06	3.05	3.08	3.43	3.43	3.42	3.44	3.82	3.82	3.82	3.84	4.27	4.26	4.26	4.28	4.27	4.26	4.26	4.28	4.27	4.26	4.26	4.28	4.27	4.26	4.26	4.28	4.27	4.26	4.26	4.28	4.27	4.26	4.26	4.28								
	Amps	10.3	10.3	10.3	10.4	11.8	11.8	11.8	11.9	13.5	13.5	13.5	13.6	15.3	15.3	15.3	15.4	17.3	17.3	17.3	17.4	17.3	17.3	17.3	17.4	17.3	17.3	17.3	17.4	17.3	17.3	17.3	17.4	17.3	17.3	17.3	17.4	17.3	17.3	17.3	17.4								
	Hi-PR	244	245	247	251	282	283	285	289	322	323	325	329	365	366	368	372	412	413	414	419	412	413	414	419	412	413	414	419	412	413	414	419	412	413	414	419	412	413	414	419								
	Lo-PR	121	122	125	130	128	129	132	137	134	136	139	144	139	141	141	144	145	146	149	154	145	146	149	154	145	146	149	154	145	146	149	154	145	146	149	154	145	146	149	154								
	MBh	47.2	47.8	49.2	51.3	46.8	47.4	48.8	50.9	45.5	46.2	47.6	49.7	43.5	44.1	45.5	47.6	40.9	41.6	43.0	45.1	40.9	41.6	43.0	45.1	40.9	41.6	43.0	45.1	40.9	41.6	43.0	45.1	40.9	41.6	43.0	45.1	40.9	41.6	43.0	45.1								
	S/T	0.90	0.82	0.69	0.55	1.00	0.83	0.70	0.56	1.00	0.85	0.72	0.58	1.00	0.87	0.74	0.60	1.00	1.00	0.87	0.62	1.00	1.00	0.87	0.62	1.00	1.00	0.87	0.62	1.00	1.00	0.87	0.62	1.00	1.00	0.87	0.62	1.00	1.00	0.87	0.62								
	ΔT	26	24	21	18	26	24	21	18	26	24	21	18	26	24	21	18	26	24	21	17	26	24	21	17	26	24	21	17	26	24	21	17	26	24	21	17	26	24	21	17								
kW	2.74	2.74	2.73	2.76	3.07	3.06	3.06	3.08	3.43	3.43	3.42	3.45	3.83	3.83	3.83	3.85	4.27	4.27	4.27	4.29	4.27	4.27	4.26	4.29	4.27	4.27	4.27	4.29	4.27	4.27	4.27	4.29	4.27	4.27	4.27	4.29	4.27	4.27	4.27	4.29									
Amps	10.3	10.3	10.3	10.4	11.8	11.8	11.8	11.9	13.5	13.5	13.5	13.6	15.3	15.3	15.3	15.4	17.4	17.4	17.4	17.5	17.4	17.4	17.4	17.5	17.4	17.4	17.4	17.5	17.4	17.4	17.4	17.5	17.4	17.4	17.4	17.5	17.4	17.4	17.4	17.5									
Hi-PR	245	246	247	252	283	284	286	290	323	324	326	330	366	367	369	373	412	413	415	419	412	413	415	419	412	413	415	419	412	413	415	419	412	413	415	419	412	413	415	419									
Lo-PR	121	123	126	131	128	130	133	138	135	136	139	144	141	143	145	150	147	148	151	156	147	148	151	156	147	148	151	156	147	148	151	156	147	148	151	156	147	148	151	156									
MBh	47.7	48.4	49.8	51.9	47.3	48.0	49.3	51.4	46.1	46.7	48.1	50.2	44.0	44.7	46.0	48.2	41.5	42.1	43.5	45.6	41.5	42.1	43.5	45.6	41.5	42.1	43.5	45.6	41.5	42.1	43.5	45.6	41.5	42.1	43.5	45.6	41.5	42.1	43.5	45.6									
S/T	1.00	0.85	0.72	0.58	1.00	0.86	0.72	0.58	1.00	0.88	0.75	0.61	1.00	0.90	0.77	0.63	1.00	1.00	0.88	0.65	1.00	1.00	0.88	0.65	1.00	1.00	0.88	0.65	1.00	1.00	0.88	0.65	1.00	1.00	0.88	0.65	1.00	1.00	0.88	0.65									
ΔT	26	24	20	17	25	24	20	17	26	24	21	17	25	24	20	17	25	23	20	17	25	23	20	17	25	23	20	17	25	23	20	17	25	23	20	17	25	23	20	17									
kW	2.75	2.75	2.74	2.77	3.08	3.07	3.07	3.09	3.44	3.44	3.44	3.46	3.84	3.84	3.83	3.86	4.28	4.28	4.28	4.30	4.28	4.28	4.28	4.30	4.28	4.28	4.28	4.30	4.28	4.28	4.28	4.30	4.28	4.28	4.28	4.30	4.28	4.28	4.28	4.30									
Amps	10.4	10.4	10.4	10.5	11.9	11.9	11.9	12.0	13.6	13.6	13.5	13.7	15.4	15.4	15.4	15.5	17.4	17.4	17.4	17.5	17.4	17.4	17.4	17.5	17.4	17.4	17.4	17.5	17.4	17.4	17.4	17.5	17.4	17.4	17.4	17.5	17.4	17.4	17.4	17.5									
Hi-PR	246	247	249	253	284	285	287	291	324	325	327	331	367	368	370	374	414	415	417	421	414	415	417	421	414	415	417	421	414	415	417	421	414	415	417	421	414	415	417	421									
Lo-PR	123	124	127	132	130	131	134	139	136	138	141	146	141	143	146	151	147	148	151	156	147	148	151	156	147	148	151	156	147	148	151	156	147	148	151	156	147	148	151	156									
1400	MBh	47.7	48.4	49.8	51.9	47.3	48.0	49.4	51.5	46.1	46.8	48.1	50.3	44.0	44.7	46.1	48.2	41.5	42.1	43.5	45.6	41.5	42.1	43.5	45.6	41.5	42.1	43.5	45.6	41.5	42.1	43.5	45.6	41.5	42.1	43.5	45.6	41.5	42.1	43.5	45.6								
	S/T	1.00	0.91	0.77	0.6	1.00	0.91	0.78	0.6	1.00	0.90	0.80	0.7	1.00	0.90	0.82	0.7	1.00	1.00	0.84	0.7	1.00	1.00	0.84	0.7	1.00	1.00	0.84	0.7	1.00	1.00	0.84	0.7	1.00	1.00	0.84	0.7												
	ΔT	30	28	25	21	30	28	25	21	30	28	25	22	30	28	25	21	30	28	25	21	30	28	25	21	30	28	25	21	30	28	25	21	30	28	25	21												
	kW	2.74	2.74	2.73	2.8	3.07	3.06	3.06	3.1	3.43	3.43	3.43	3.5	3.83	3.83	3.82	3.8	4.27	4.27	4.27	4.3	4.27	4.27	4.27	4.3	4.27	4.27	4.27	4.3	4.27	4.27	4.27	4.3	4.27	4.27	4.27	4.3												
	Amps	10.3	10.3	10.3	10.4	11.9	11.8	11.8	11.9	13.5	13.5	13.5	13.6	15.3	15.3	15.3	15.4	17.4	17.4	17.4	17.5	17.4	17.4	17.3	17.4	17.4	17.4	17.3	17.4	17.4	17.4	17.3	17.4	17.4	17.4	17.3	17.4												
	Hi-PR	245	246	248	252	283	284	286	290	323	324	326	330	366	367	369	373	413	414	416	420	413	414	416	420	413	414	416	420	413	414	416	420	413	414	416	420												
	Lo-PR	122	124	127	132	130	131	134	139	136	137	140	145	141	143	146	151	146	148	151	156	146	148	151	156	146	148	151	156	146	148	151	156	146	148	151	156												
	MBh	47.9	48.6	50.0	52.1	47.5	48.2	49.6	51.7	46.3	47.0	48.4	50.5	44.2	44.9	46.3	48.4	41.7	42.4	43.7	45.9	41.7	42.4	43.7	45.9	41.7	42.4	43.7	45.9	41.7	42.4	43.7	45.9	41.7	42.4	43.7	45.9												
	S/T	1.00	0.92	0.79	0.7	1.00	0.93	0.80	0.7	1.00	0.90	0.82	0.7	1.00	0.90	0.84	0.7	1.00	1.00	0.86	0.7	1.00	1.00	0.86	0.7	1.00	1.00	0.86	0.7	1.00	1.00	0.86	0.7																
	ΔT	30	28	25	21	30	28	25	21	30	28	25	21	30	28	25	21	30	28	24	21	30	28	24	21	30	28	24	21	30	28	24	21	30	28	24	21												
kW	2.74	2.74	2.74	2.8	3.07	3.07	3.06	3.1	3.44	3.44	3.43	3.5	3.84	3.83	3.83	3.9	4.28	4.28	4.28	4.3	4.28	4.28	4.27	4.3	4.28	4.28	4.27	4.3	4.28	4.28	4.27	4.3	4.28	4.28	4.27	4.3													
Amps	10.4	10.4	10.3	10.5	11.9	11.9	11.8	12.0	13.6	13.5	13.5	13.6	15.4	15.4	15.3	15.4	17.4	17.4	17.4	17.5	17.4	17.4	17.4	17.5	17.4	17.4	17.4	17.5	17.4	17.4	17.4	17.5	17.4	17.4	17.4	17.5													
Hi-PR	246	247	249	253	284	285	287	291	324	325	327	331	367	368	370	374	413	414	416	420	413	414	416	420	413	414	416	420	413	414	416	420	413	414	416	420													
Lo-PR	123	124	127	132	130	132	135	140	136	138																																							

COOLING DATA — DZ4SEA6010A* + AMST60DU1400A*

IDB		OUTDOOR AMBIENT TEMPERATURE																																			
		65°F						75°F						85°F						95°F						105°F						115°F					
		59	63	67	71	59	63	67	71	59	63	67	71	59	63	67	71	59	63	67	71	59	63	67	71	59	63	67	71								
70	1750	AIRFLOW	56.4	57.2	58.8	-	55.9	56.7	58.3	-	54.4	55.2	56.9	-	51.9	52.7	54.4	-	48.8	49.6	51.3	-	46.0	46.8	48.5	-	46.0	46.8	48.5	-							
		MBh	0.65	0.57	0.43	-	0.65	0.58	0.44	-	0.68	0.60	0.47	-	0.70	0.62	0.49	-	0.72	0.64	0.51	-	1.00	0.69	0.56	-	1.00	0.69	0.56	-							
		S/T	18	17	13	-	18	17	13	-	19	17	14	-	18	17	13	-	18	16	13	-	19	17	14	-	19	17	14	-							
		ΔT	3.41	3.41	3.40	-	3.83	3.83	3.82	-	4.31	4.31	4.30	-	4.82	4.82	4.81	-	5.40	5.40	5.39	-	6.07	6.07	6.06	-	6.07	6.07	6.06	-							
		kW	12.9	12.9	12.9	-	14.9	14.9	14.8	-	17.1	17.0	17.0	-	19.4	19.4	19.4	-	22.0	22.0	22.0	-	25.1	25.1	25.1	-	25.1	25.1	25.1	-							
	Amps	258	259	261	-	298	299	301	-	340	342	343	-	386	387	389	-	435	436	438	-	488	489	491	-	488	489	491	-								
	Hi PR	116	117	120	-	123	124	127	-	129	130	133	-	134	135	138	-	139	141	143	-	145	147	150	-	145	147	150	-								
	Lo PR	56.7	57.5	59.2	-	56.2	57.0	58.7	-	54.7	55.5	57.2	-	52.2	53.0	54.7	-	49.1	49.9	51.6	-	46.3	47.1	48.8	-	46.3	47.1	48.8	-								
	MBh	0.67	0.59	0.45	-	0.67	0.60	0.46	-	0.70	0.62	0.49	-	0.72	0.64	0.51	-	0.74	0.66	0.53	-	1.00	0.71	0.58	-	1.00	0.71	0.58	-								
	S/T	18	16	13	-	18	16	13	-	18	16	13	-	18	16	13	-	18	16	13	-	19	17	14	-	19	17	14	-								
ΔT	3.42	3.41	3.41	-	3.84	3.84	3.83	-	4.32	4.31	4.31	-	4.83	4.83	4.82	-	5.41	5.40	5.40	-	6.08	6.08	6.07	-	6.08	6.08	6.07	-									
kW	13.0	12.9	12.9	-	14.9	14.9	14.9	-	17.1	17.1	17.0	-	19.4	19.4	19.4	-	22.1	22.1	22.0	-	25.2	25.1	25.1	-	25.2	25.1	25.1	-									
Amps	258	259	260	261	-	299	300	302	-	341	342	344	-	387	388	390	-	436	437	439	-	489	490	492	-	489	490	492	-								
Hi PR	116	118	121	-	123	125	128	-	130	131	134	-	135	136	139	-	140	141	144	-	146	148	150	-	146	148	150	-									
Lo PR	57.0	57.8	59.4	-	56.5	57.3	58.9	-	55.0	55.8	57.5	-	52.5	53.3	55.0	-	49.4	50.2	51.9	-	46.6	47.4	49.1	-	46.6	47.4	49.1	-									
MBh	0.68	0.60	0.47	-	0.69	0.61	0.48	-	0.71	0.64	0.50	-	0.73	0.66	0.52	-	0.75	0.68	0.54	-	1.00	0.73	0.59	-	1.00	0.73	0.59	-									
S/T	18	16	13	-	18	16	13	-	18	16	13	-	18	16	13	-	17	16	12	-	18	17	13	-	18	17	13	-									
ΔT	3.42	3.42	3.41	-	3.85	3.85	3.84	-	4.32	4.32	4.31	-	4.84	4.84	4.83	-	5.41	5.41	5.40	-	6.09	6.08	6.08	-	6.09	6.08	6.08	-									
kW	13.0	13.0	12.9	-	14.9	14.9	14.9	-	17.1	17.1	17.1	-	19.5	19.5	19.4	-	22.1	22.1	22.1	-	25.2	25.2	25.1	-	25.2	25.2	25.1	-									
Amps	259	260	262	262	-	300	301	303	-	342	343	345	-	388	389	391	-	437	438	440	-	489	490	492	-	489	490	492	-								
Hi PR	117	118	121	-	124	125	128	-	130	132	134	-	135	137	140	-	140	142	145	-	147	148	151	-	147	148	151	-									
Lo PR	56.4	57.2	58.9	61.4	-	55.9	56.7	58.4	60.9	-	54.5	55.2	56.9	59.5	-	51.9	52.7	54.4	57.0	-	48.9	49.7	51.3	53.9	-	46.1	46.9	48.5	51.1	-							
75	1750	AIRFLOW	0.78	0.70	0.56	0.42	-	0.78	0.71	0.57	0.43	-	0.81	0.73	0.60	0.45	-	1.00	0.75	0.61	0.47	-	1.00	0.77	0.64	0.49	-	1.00	0.82	0.69	0.55	-					
		MBh	22	20	17	14	-	22	20	17	14	-	22	21	17	14	-	22	20	17	14	-	22	20	17	13	-	23	21	18	15	-					
		S/T	3.41	3.40	3.39	3.43	-	3.83	3.83	3.82	3.85	-	4.31	4.30	4.30	4.33	-	4.82	4.82	4.81	4.84	-	5.40	5.39	5.39	5.42	-	6.07	6.07	6.06	6.09	-					
		ΔT	12.9	12.9	12.9	13.0	-	14.9	14.8	14.8	15.0	-	17.0	17.0	17.0	17.1	-	19.4	19.4	19.3	19.5	-	22.0	22.0	22.0	22.2	-	25.1	25.1	25.1	25.2	-					
		kW	258	259	261	265	-	298	299	301	306	-	341	342	344	348	-	386	387	389	394	-	436	437	438	443	-	488	489	491	495	-					
	Amps	116	117	120	125	-	123	124	127	132	-	129	130	133	138	-	134	135	138	143	-	139	141	143	148	-	145	147	150	155	-						
	Hi PR	56.7	57.5	59.2	61.7	-	56.2	57.0	58.7	61.2	-	54.8	55.6	57.2	59.8	-	52.2	53.0	54.7	57.3	-	49.2	50.0	51.6	54.2	-	46.4	47.2	48.8	51.4	-						
	Lo PR	0.80	0.72	0.58	0.44	-	0.80	0.73	0.59	0.45	-	0.83	0.75	0.62	0.47	-	1.00	0.77	0.63	0.49	-	1.00	0.79	0.66	0.51	-	1.00	0.84	0.71	0.57	-						
	MBh	22	20	17	13	-	22	20	17	13	-	22	20	17	14	-	22	20	17	13	-	22	20	17	13	-	23	21	18	14	-						
	S/T	3.41	3.41	3.40	3.44	-	3.84	3.84	3.83	3.86	-	4.31	4.31	4.30	4.34	-	4.83	4.83	4.82	4.85	-	5.40	5.40	5.39	5.43	-	6.08	6.08	6.07	6.10	-						
ΔT	12.9	12.9	12.9	13.1	-	14.9	14.9	14.9	15.0	-	17.1	17.1	17.0	17.2	-	19.4	19.4	19.4	19.5	-	22.0	22.0	22.0	22.2	-	25.1	25.1	25.1	25.2	-							
kW	259	260	262	266	-	299	300	302	307	-	342	343	344	349	-	387	388	390	395	-	436	437	439	444	-	489	490	492	496	-							
Amps	116	118	121	126	-	123	125	128	133	-	130	131	134	139	-	135	136	139	144	-	140	141	144	149	-	146	148	150	155	-							
Hi PR	57.0	57.8	59.5	62.0	-	56.5	57.3	59.0	61.5	-	55.1	55.8	57.5	60.1	-	52.5	53.3	55.0	57.6	-	49.5	50.3	51.9	54.5	-	46.7	47.4	49.1	51.7	-							
Lo PR	0.81	0.73	0.60	0.46	-	0.82	0.74	0.60	0.46	-	0.84	0.77	0.63	0.49	-	1.00	0.78	0.65	0.51	-	1.00	0.81	0.67	0.53	-	1.00	0.86	0.72	0.58	-							
MBh	22	20	16	13	-	21	20	16	13	-	22	20	17	13	-	21	20	16	13	-	21	19	16	13	-	22	21	17	14	-							
S/T	3.42	3.42	3.41	3.44	-	3.85	3.84	3.84	3.87	-	4.32	4.32	4.31	4.34	-	4.84	4.83	4.83	4.86	-	5.41	5.41	5.40	5.43	-	6.09	6.08	6.07	6.11	-							
ΔT	13.0	13.0	12.9	13.1	-	14.9	14.9	14.9	15.0	-	17.1	17.1	17.1	17.2	-	19.5	19.4	19.4	19.6	-	22.1	22.1	22.0	22.2	-	25.2	25.2	25.1	25.3	-							
kW	259	261	262	267	-	300	301	303	307	-	342	343	345	350	-	388	389	391	395	-	437	438	440	444	-	490	491	492	497	-							
Amps	117	119	121	126	-	124	125	128	133	-	130	132	135	139	-	135	137	140	145	-	140	142	145	150	-	147	148	151	156	-							
Hi PR	117	119	121	126	-	124	125	128	133	-	130	132	135	139	-	135	137	140	145	-	140	142	145	150	-	147	148	151	156	-							
Lo PR	kW = Total system power Amps = Outdoor unit amps (compressor + fan)																																				

Shaded area reflects ACCA (TVA) Rating Conditions.

IDB: Entering Indoor Dry Bulb Temperature
High and low pressures are measured at the liquid and suction service valves.

COOLING DATA — DZ4SEA6010A* + AMST60DU1400A* (CONT.)

IDB	OUTDOOR AMBIENT TEMPERATURE																									
	65°F				75°F				85°F				95°F				105°F				115°F					
	AIRFLOW	59	63	67	71	59	63	67	71	59	63	67	71	59	63	67	71	59	63	67	71	59	63	67	71	
80	1750	MBh	56.7	57.5	59.2	61.7	56.2	57.0	58.7	61.2	54.7	55.5	57.2	59.8	52.2	53.0	54.7	57.2	49.2	50.0	51.6	54.2	46.4	47.1	48.8	51.4
		S/T	0.90	0.83	0.69	0.55	1.00	0.86	0.72	0.58	1.00	0.88	0.74	0.60	1.00	0.90	0.76	0.62	1.00	0.90	0.76	0.62	1.00	1.00	0.81	0.67
		ΔT	26	24	21	18	26	24	21	18	26	24	21	18	26	24	21	17	26	24	21	17	27	25	22	18
		kW	3.41	3.40	3.40	3.43	3.83	3.83	3.82	3.86	4.31	4.31	4.30	4.33	4.82	4.82	4.81	4.85	5.40	5.39	5.39	5.42	6.07	6.07	6.06	6.09
		Amps	12.9	12.9	12.9	13.0	14.9	14.9	14.8	15.0	17.0	17.0	17.0	17.1	19.4	19.4	19.4	19.5	22.0	22.0	22.0	22.1	25.1	25.1	25.1	25.2
		Hi/PR	258	259	261	266	299	300	302	306	341	342	344	349	387	388	390	394	436	437	439	443	488	490	491	496
	Lo/PR	116	118	121	126	123	125	128	132	129	131	134	139	135	136	139	144	140	141	144	149	146	147	150	155	
	1840	MBh	57.0	57.8	59.5	62.0	56.5	57.3	59.0	61.5	55.1	55.8	57.5	60.1	52.5	53.3	55.0	57.6	49.5	50.3	51.9	54.5	46.7	47.5	49.1	51.7
		S/T	0.92	0.85	0.71	0.57	1.00	0.85	0.72	0.57	1.00	0.88	0.74	0.60	1.00	0.90	0.76	0.62	1.00	0.92	0.78	0.64	1.00	1.00	0.83	0.69
		ΔT	26	24	21	17	26	24	21	17	26	24	21	18	26	24	21	17	25	24	20	17	27	25	22	18
		kW	3.42	3.41	3.41	3.44	3.84	3.84	3.83	3.86	4.32	4.31	4.31	4.34	4.83	4.83	4.82	4.85	5.41	5.40	5.40	5.43	6.08	6.08	6.07	6.10
		Amps	13.0	12.9	12.9	13.1	14.9	14.9	14.9	15.0	17.1	17.1	17.0	17.2	19.4	19.4	19.4	19.5	22.1	22.1	22.0	22.2	25.2	25.1	25.1	25.3
Hi/PR		259	260	262	267	300	301	303	307	342	343	345	349	388	389	391	395	437	438	440	444	489	490	492	497	
Lo/PR	117	118	121	126	124	125	128	133	130	131	134	139	135	137	140	144	140	142	145	150	147	148	151	156		
85	1750	MBh	57.7	58.4	60.1	62.7	57.2	57.9	59.6	62.2	55.7	56.5	58.2	60.7	53.2	54.0	55.6	58.2	50.1	50.9	52.6	55.1	47.3	48.1	49.8	52.3
		S/T	1.00	0.93	0.79	0.6	1.00	0.93	0.80	0.7	1.00	0.96	0.82	0.7	1.00	1.00	0.84	0.7	1.00	1.00	0.86	0.7	1.00	1.00	0.92	0.8
		ΔT	30	28	25	21	30	28	25	21	30	28	25	21	30	28	24	21	29	28	24	21	30	29	25	22
		kW	3.42	3.41	3.41	3.4	3.84	3.84	3.83	3.9	4.32	4.31	4.31	4.3	4.83	4.83	4.82	4.9	5.41	5.40	5.40	5.4	6.08	6.08	6.07	6.1
		Amps	13.0	12.9	12.9	13.1	14.9	14.9	14.9	15.0	17.1	17.1	17.0	17.2	19.4	19.4	19.4	19.5	22.1	22.1	22.0	22.2	25.2	25.1	25.1	25.3
		Hi/PR	260	261	262	267	300	301	303	308	343	344	346	350	388	389	391	395	437	438	440	445	490	491	493	497
	Lo/PR	118	119	122	127	125	126	129	134	131	132	135	140	136	138	141	146	141	143	146	151	148	149	152	157	
	1840	MBh	58.0	58.7	60.4	63.0	57.5	58.2	59.9	62.5	56.0	56.8	58.5	61.0	53.5	54.3	55.9	58.5	50.4	51.2	52.9	55.4	47.6	48.4	50.1	52.6
		S/T	1.00	0.95	0.81	0.7	1.00	0.95	0.82	0.7	1.00	0.98	0.84	0.7	1.00	1.00	0.86	0.7	1.00	1.00	0.88	0.7	1.00	1.00	0.94	0.8
		ΔT	29	27	24	21	29	27	24	21	29	28	24	21	29	27	24	21	29	27	24	20	30	28	25	22
		kW	3.42	3.42	3.41	3.4	3.85	3.85	3.84	3.9	4.33	4.32	4.31	4.3	4.84	4.84	4.83	4.9	5.41	5.41	5.40	5.4	6.09	6.09	6.08	6.1
		Amps	13.0	13.0	12.9	13.1	14.9	14.9	14.9	15.0	17.1	17.1	17.1	17.2	19.5	19.5	19.4	19.6	22.1	22.1	22.1	22.2	25.2	25.2	25.1	25.3
Hi/PR		260	262	263	268	301	302	304	308	343	344	346	351	389	390	392	396	438	439	441	445	491	492	493	498	
Lo/PR	119	120	123	128	126	127	130	135	132	133	136	141	137	138	141	146	142	143	146	151	148	150	153	158		
1920	MBh	58.2	59.0	60.7	63.3	57.7	58.5	60.2	62.8	56.3	57.1	58.7	61.3	53.8	54.6	56.2	58.8	50.7	51.5	53.2	55.7	47.9	48.7	50.4	52.9	
	S/T	1.00	0.96	0.83	0.7	1.00	0.97	0.83	0.7	1.00	0.99	0.86	0.7	1.00	1.00	0.88	0.7	1.00	1.00	0.90	0.8	1.00	1.00	0.95	0.8	
	ΔT	29	27	24	20	29	27	24	20	29	27	24	21	29	27	24	20	29	27	24	20	30	28	25	21	
	kW	3.43	3.43	3.42	3.5	3.86	3.85	3.85	3.9	4.33	4.33	4.32	4.4	4.85	4.84	4.84	4.9	5.42	5.42	5.41	5.4	6.10	6.09	6.09	6.1	
	Amps	13.0	13.0	13.0	13.1	15.0	15.0	14.9	15.1	17.2	17.1	17.1	17.3	19.5	19.5	19.5	19.6	22.1	22.1	22.1	22.2	25.2	25.2	25.2	25.3	
	Hi/PR	261	262	264	269	302	303	304	309	344	345	347	351	390	391	392	397	439	440	442	446	491	492	494	499	
Lo/PR	119	121	124	129	126	128	131	136	132	134	137	142	138	139	142	147	143	144	147	152	149	150	153	158		

IDB: Entering Indoor Dry Bulb Temperature
 High and low pressures are measured at the liquid and suction service valves.
 Shaded area reflects AHRI Rating Conditions.
 kW = Total system power
 Amps = Outdoor unit amps (compressor + fan)

EXPANDED HEATING DATA

DZ4SEA1810A*+AMST24BU1400A*

	OUTDOOR AMBIENT TEMPERATURE																
	65	60	55	50	47	45	40	35	30	25	20	17	15	10	5	0	-5
MBh	22.0	20.6	19.2	17.9	17.0	16.4	14.7	13.2	12.0	11.0	10.4	10.0	9.5	8.4	7.2	6.0	4.9
T/R	31.0	29.3	27.6	25.9	24.8	23.9	21.5	19.3	17.5	16.1	15.1	14.6	13.9	12.2	10.5	8.8	7.1
KW	1.5	1.5	1.4	1.4	1.4	1.4	1.3	1.3	1.3	1.3	1.2	1.2	1.2	1.2	1.2	1.1	1.1
AMPS	5.4	5.3	5.2	5.1	5.0	5.0	4.8	4.7	4.6	4.5	4.4	4.3	4.3	4.1	4.0	3.9	3.8
COP	4.36	4.16	3.95	3.74	3.60	3.49	3.20	2.93	2.71	2.56	2.45	2.40	2.31	2.07	1.83	1.57	1.29
Hi PR	384	372	359	347	339	334	322	309	297	284	272	264	259	247	234	222	209
LO PR	147	138	129	119	114	110	101	92	83	74	65	59	56	46	37	28	19

DZ4SEA2410A*+AMST24BU1400A*

	OUTDOOR AMBIENT TEMPERATURE																
	65	60	55	50	47	45	40	35	30	25	20	17	15	10	5	0	-5
MBh	28.5	26.7	24.9	23.1	22.0	21.2	19.1	17.1	15.5	14.3	13.5	13.0	12.4	10.9	9.4	7.9	6.4
T/R	33.7	31.8	30.0	28.1	27.0	26.0	23.4	21.0	19.1	17.6	16.5	16.0	15.2	13.4	11.5	9.7	7.9
KW	2.0	1.9	1.9	1.8	1.8	1.8	1.7	1.7	1.6	1.6	1.6	1.5	1.5	1.5	1.4	1.4	1.3
AMPS	7.3	7.1	6.9	6.7	6.6	6.5	6.3	6.1	5.9	5.7	5.5	5.4	5.4	5.2	5.0	4.8	4.6
COP	4.28	4.10	3.92	3.73	3.60	3.50	3.23	2.98	2.77	2.63	2.55	2.50	2.41	2.19	1.94	1.69	1.41
Hi PR	382	369	357	344	337	332	320	307	295	282	270	263	258	245	233	220	208
LO PR	140	132	123	114	109	106	97	88	79	71	62	57	53	44	36	27	18

DZ4SEA3010A*+AMST30BU1400A*

	OUTDOOR AMBIENT TEMPERATURE																
	65	60	55	50	47	45	40	35	30	25	20	17	15	10	5	0	-5
MBh	34.9	32.9	30.9	28.9	27.6	26.7	24.4	22.2	20.4	19.1	18.1	17.6	16.9	15.3	13.6	11.9	10.3
T/R	29.1	27.6	26.2	24.8	23.9	23.1	21.1	19.2	17.6	16.5	15.7	15.2	14.7	13.2	11.8	10.3	8.9
KW	2.2	2.1	2.1	2.1	2.1	2.1	2.0	2.0	2.0	2.0	1.9	1.9	1.9	1.9	1.8	1.8	1.8
AMPS	7.7	7.6	7.5	7.4	7.3	7.3	7.2	7.0	6.9	6.8	6.7	6.6	6.6	6.4	6.3	6.2	6.1
COP	4.71	4.49	4.27	4.05	3.90	3.79	3.51	3.24	3.01	2.86	2.75	2.70	2.61	2.39	2.16	1.92	1.68
Hi PR	351	340	328	317	310	305	294	283	271	260	248	241	237	225	214	203	191
LO PR	135	127	118	110	105	102	93	85	76	68	60	54	51	43	34	26	17

DZ4SEA3610A*+AMST36CU1400A*

	OUTDOOR AMBIENT TEMPERATURE																
	65	60	55	50	47	45	40	35	30	25	20	17	15	10	5	0	-5
MBh	43.8	41.1	38.6	36.0	34.4	33.2	30.3	27.5	25.2	23.5	22.3	21.6	20.7	18.6	16.5	14.3	12.2
T/R	33.9	32.2	30.4	28.7	27.7	26.8	24.4	22.1	20.3	18.9	17.9	17.4	16.7	15.0	13.3	11.6	9.8
KW	3.1	3.1	3.0	2.9	2.9	2.9	2.8	2.7	2.6	2.6	2.5	2.4	2.4	2.3	2.3	2.2	2.1
AMPS	11.9	11.5	11.2	10.9	10.7	10.6	10.2	9.9	9.6	9.3	9.0	8.8	8.6	8.3	8.0	7.7	7.3
COP	4.07	3.92	3.77	3.61	3.50	3.41	3.20	2.98	2.81	2.69	2.63	2.60	2.53	2.34	2.14	1.93	1.70
Hi PR	434	420	406	391	383	377	363	349	335	321	307	298	293	279	264	250	236
LO PR	133	124	116	108	103	100	91	83	75	67	58	53	50	42	34	25	17

DZ4SEA4210A*+AMST42CU1400A*

	OUTDOOR AMBIENT TEMPERATURE																
	65	60	55	50	47	45	40	35	30	25	20	17	15	10	5	0	-5
MBh	51.6	48.3	45.2	42.0	40.0	38.5	34.8	31.3	28.5	26.4	24.8	24.0	22.9	20.3	17.6	14.9	12.3
T/R	34.3	32.4	30.6	28.7	27.6	26.6	24.0	21.6	19.7	18.2	17.2	16.6	15.8	14.0	12.2	10.3	8.5
KW	3.5	3.4	3.3	3.3	3.3	3.2	3.2	3.1	3.1	3.0	3.0	2.9	2.9	2.9	2.8	2.7	2.7
AMPS	12.9	12.6	12.4	12.2	12.0	11.9	11.7	11.5	11.2	11.0	10.8	10.6	10.5	10.3	10.0	9.8	9.6
COP	4.38	4.17	3.96	3.74	3.60	3.49	3.21	2.94	2.72	2.56	2.46	2.40	2.31	2.08	1.84	1.59	1.34
Hi PR	394	381	369	356	348	343	330	317	304	292	279	271	266	253	240	227	215
LO PR	131	123	115	107	102	99	91	82	74	66	58	53	50	41	33	25	17

DZ4SEA4810A*+AMST48CU1400A*

	OUTDOOR AMBIENT TEMPERATURE																
	65	60	55	50	47	45	40	35	30	25	20	17	15	10	5	0	-5
MBh	59.1	55.4	51.8	48.3	46.0	44.4	40.2	36.2	33.0	30.7	28.9	28.0	26.8	23.8	20.8	17.8	14.8
T/R	36.0	34.1	32.2	30.3	29.2	28.1	25.5	23.0	20.9	19.4	18.3	17.8	17.0	15.1	13.2	11.3	9.4
KW	3.9	3.8	3.7	3.7	3.6	3.6	3.5	3.5	3.4	3.4	3.3	3.3	3.3	3.2	3.1	3.1	3.0
AMPS	14.5	14.2	13.9	13.7	13.5	13.4	13.2	12.9	12.6	12.4	12.1	12.0	11.9	11.6	11.3	11.1	10.8
COP	4.48	4.27	4.06	3.85	3.70	3.59	3.31	3.03	2.81	2.66	2.55	2.50	2.41	2.18	1.94	1.69	1.44
Hi PR	433	419	405	390	382	376	362	348	334	320	306	298	292	278	264	250	236
LO PR	137	128	120	111	106	103	94	86	77	69	60	55	52	43	35	26	18

DZ4SEA6010A*+AMST60DU1400A*

	OUTDOOR AMBIENT TEMPERATURE																
	65	60	55	50	47	45	40	35	30	25	20	17	15	10	5	0	-5
MBh	72.4	68.1	63.9	59.7	57.0	55.0	50.2	45.6	41.8	39.1	37.1	36.0	34.6	31.1	27.6	24.1	20.6
T/R	44.1	41.9	39.7	37.5	36.2	35.0	31.9	28.9	26.5	24.8	23.5	22.8	21.9	19.7	17.5	15.3	13.1
KW	4.7	4.6	4.6	4.5	4.5	4.5	4.4	4.4	4.3	4.3	4.2	4.2	4.2	4.2	4.1	4.1	4.0
AMPS	18.1	17.9	17.7	17.4	17.3	17.2	17.0	16.8	16.6	16.4	16.2	16.0	15.9	15.7	15.5	15.3	15.1
COP	4.52	4.30	4.07	3.85	3.70	3.59	3.31	3.04	2.82	2.66	2.56	2.50	2.41	2.20	1.97	1.74	1.51
Hi PR	412	399	385	372	364	359	345	332	318	305	292	284	278	265	251	238	225
LO PR	128	120	112	104	99	96	88	80	72	64	56	51	48	40	32	24	16

Shaded area is AHRI Rating Conditions at 47 degree F outdoor ambient temperature

Amps = Outdoor unit amps (comp.+fan)

kW = Total system power

Daikin Manufacturing Company, L.P. reserves the right to discontinue, or change at any time, specifications or designs without notice or without incurring obligations.

PERFORMANCE DATA

DZ4SEA1810A* + AMST24BU1400A*				
CONDITIONS: 80 °F IBD, 67 °F IWB @ 630 CFM				
OUTDOOR TEM. ° F.	TOTAL BTU/H	SENSIBLE BTU/H	LATENT BTU/H	TOTAL WATTS
75	18,450	13,200	5,250	1,170
80	18,250	13,250	5,000	1,240
85	18,000	13,300	4,700	1,300
90	17,600	13,200	4,400	1,370
95	17,200	13,100	4,100	1,440
100	16,750	12,900	3,850	1,520
105	16,250	12,700	3,550	1,600
110	15,800	12,750	3,050	1,700
115	15,350	12,800	2,550	1,790
TVA CONDITIONS @ 95° OD DB, 75° ID DB 63° ID WB				
95°	16,600	12,800	3,800	1,450

DZ4SEA2410A* + AMST24BU1400A*				
CONDITIONS: 80 °F IBD, 67 °F IWB @ 750 CFM				
OUTDOOR TEM. ° F.	TOTAL BTU/H	SENSIBLE BTU/H	LATENT BTU/H	TOTAL WATTS
75	24,250	16,650	7,600	1,520
80	23,950	16,750	7,200	1,610
85	23,650	16,800	6,850	1,700
90	23,150	16,650	6,500	1,800
95	22,600	16,500	6,100	1,900
100	22,000	16,300	5,700	2,010
105	21,350	16,050	5,300	2,120
110	20,800	16,100	4,700	2,250
115	20,200	16,150	4,050	2,370
TVA CONDITIONS @ 95° OD DB, 75° ID DB 63° ID WB				
95°	21,800	16,150	5,650	1,900

DZ4SEA3010A* + AMST30BU1400A*				
CONDITIONS: 80 °F IBD, 67 °F IWB @ 1070 CFM				
OUTDOOR TEM. ° F.	TOTAL BTU/H	SENSIBLE BTU/H	LATENT BTU/H	TOTAL WATTS
75	30,250	22,800	7,450	1,910
80	29,900	22,900	7,000	2,020
85	29,500	23,000	6,500	2,130
90	28,850	22,800	6,050	2,250
95	28,200	22,550	5,650	2,370
100	27,400	22,250	5,150	2,510
105	26,600	21,950	4,650	2,640
110	25,900	22,050	3,850	2,800
115	25,200	22,100	3,100	2,950
TVA CONDITIONS @ 95° OD DB, 75° ID DB 63° ID WB				
95°	27,200	22,050	5,150	2,370

DZ4SEA3610A* + AMST36CU1400A*				
CONDITIONS: 80 °F IBD, 67 °F IWB @ 1150 CFM				
OUTDOOR TEM. ° F.	TOTAL BTU/H	SENSIBLE BTU/H	LATENT BTU/H	TOTAL WATTS
75	36,900	25,350	11,550	2,320
80	36,450	25,500	10,950	2,460
85	35,950	25,600	10,350	2,590
90	35,200	25,350	9,850	2,740
95	34,400	25,100	9,300	2,890
100	33,450	24,750	8,700	3,060
105	32,500	24,400	8,100	3,220
110	31,600	24,500	7,100	3,420
115	30,700	24,600	6,100	3,610
TVA CONDITIONS @ 95° OD DB, 75° ID DB 63° ID WB				
95°	33,150	24,550	8,600	2,890

DZ4SEA4210A* + AMST42CU1400A*				
CONDITIONS: 80 °F IBD, 67 °F IWB @ 1340 CFM				
OUTDOOR TEM. ° F.	TOTAL BTU/H	SENSIBLE BTU/H	LATENT BTU/H	TOTAL WATTS
75	42,900	30,700	12,200	2,700
80	42,400	30,850	11,550	2,860
85	41,850	31,000	10,850	3,020
90	40,950	30,700	10,250	3,190
95	40,000	30,400	9,600	3,360
100	38,900	30,000	8,900	3,550
105	37,750	29,550	8,200	3,740
110	36,750	29,700	7,050	3,960
115	35,750	29,800	5,950	4,180
TVA CONDITIONS @ 95° OD DB, 75° ID DB 63° ID WB				
95°	38,550	29,700	8,850	3,360

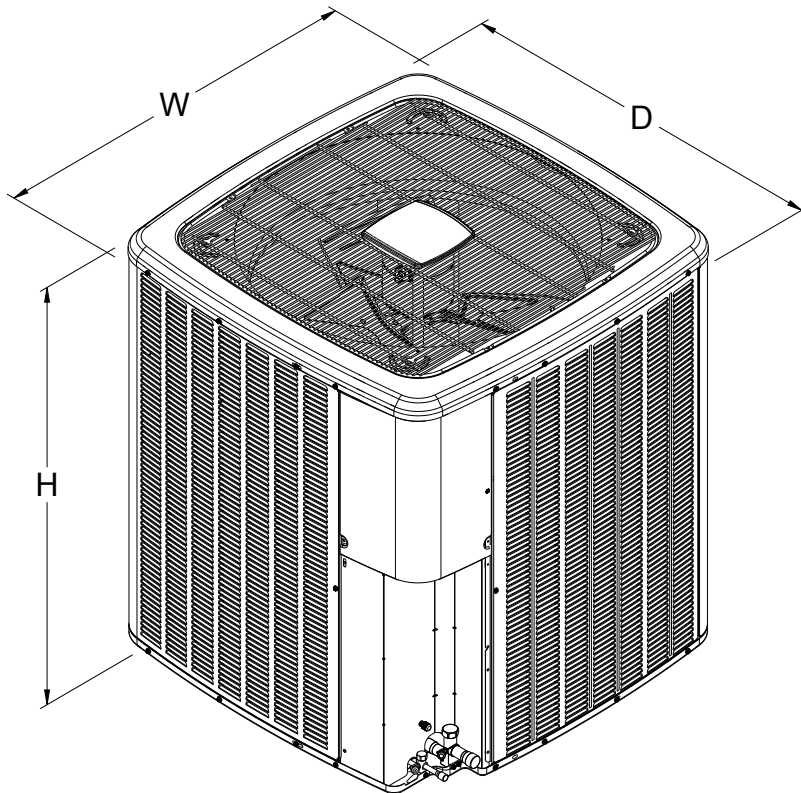
DZ4SEA4810A* + AMST48CU1400A*				
CONDITIONS: 80 °F IBD, 67 °F IWB @ 1460 CFM				
OUTDOOR TEM. ° F.	TOTAL BTU/H	SENSIBLE BTU/H	LATENT BTU/H	TOTAL WATTS
75	48,800	34,000	14,800	3,060
80	48,200	34,150	14,050	3,240
85	47,600	34,300	13,300	3,420
90	46,550	34,000	12,550	3,620
95	45,500	33,700	11,800	3,820
100	44,250	33,250	11,000	4,040
105	42,950	32,750	10,200	4,260
110	41,800	32,900	8,900	4,520
115	40,650	33,000	7,650	4,780
TVA CONDITIONS @ 95° OD DB, 75° ID DB 63° ID WB				
95°	43,900	32,900	11,000	3,830

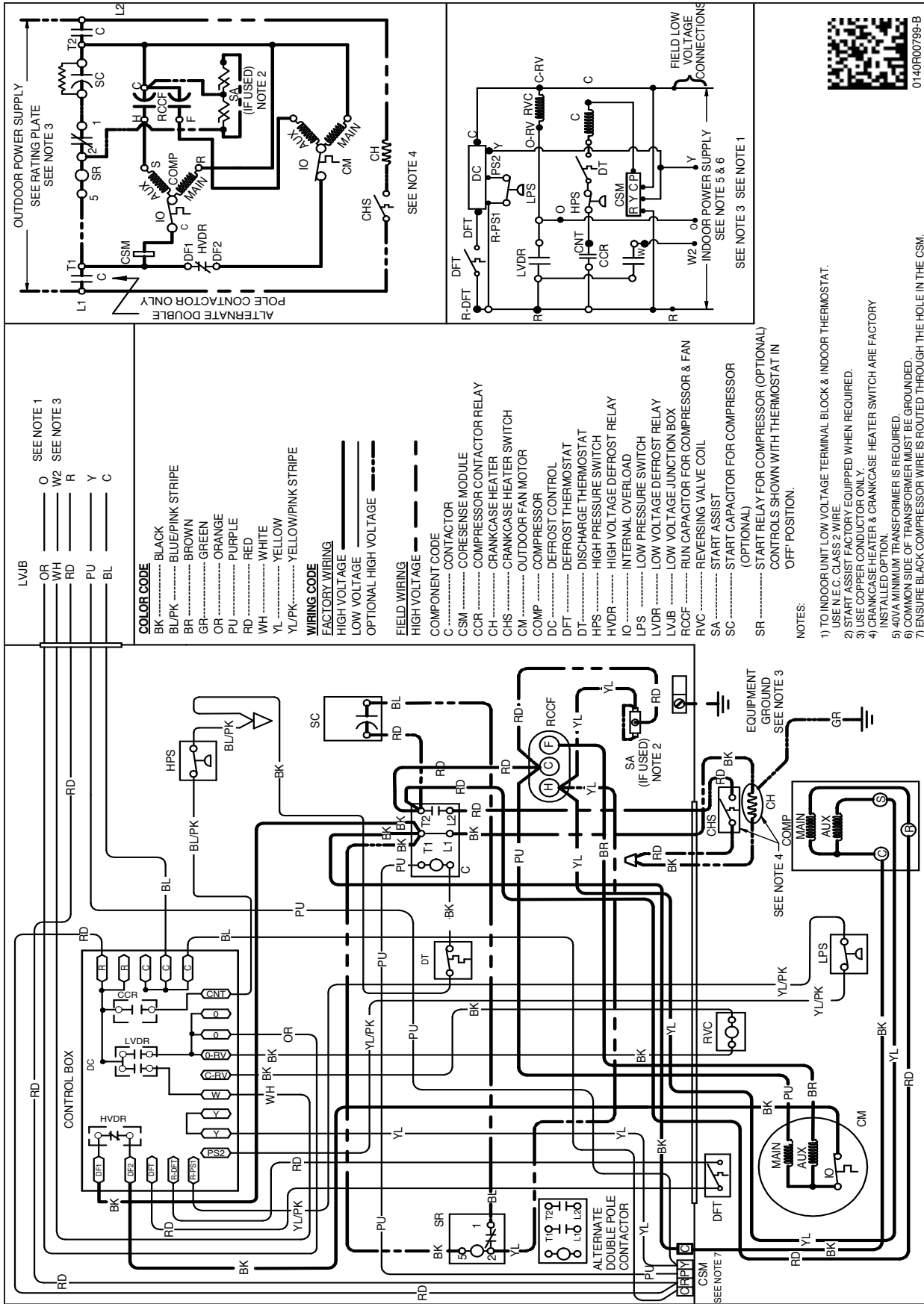
DZ4SEA6010A* + AMST60DU1400A*				
CONDITIONS: 80 °F IBD, 67 °F IWB @ 1840 CFM				
OUTDOOR TEM. ° F.	TOTAL BTU/H	SENSIBLE BTU/H	LATENT BTU/H	TOTAL WATTS
75	58,950	42,200	16,750	3,830
80	58,250	42,400	15,850	4,070
85	57,500	42,600	14,900	4,310
90	56,250	42,200	14,050	4,570
95	55,000	41,800	13,200	4,820
100	53,500	41,250	12,250	5,110
105	51,950	40,650	11,300	5,400
110	50,550	40,800	9,750	5,740
115	49,100	40,950	8,150	6,070
TVA Conditions @ 95° OD DB, 75° ID DB 63° ID WB				
95°	53,050	40,850	12,200	4,830

***ALL AHRI SYSTEM RATINGS ARE ACCESSIBLE IN THE UNITARY MATCHUP TOOL VIA
DAIKIN CITY OR IN THE DAIKIN SYSTEM CONFIGURATOR TOOL VIA PARTNERLINK.***

DIMENSIONS

MODEL	DIMENSIONS		
	W"	D"	H"
DZ4SEA1810A*	29	29	35 ¹¹ / ₁₆
DZ4SEA2410A*	29	29	35 ¹¹ / ₁₆
DZ4SEA3010A*	29	29	39 ⁹ / ₁₆
DZ4SEA3610A*	35½	35½	39 ¹⁰ / ₁₆
DZ4SEA4210A*	35½	35½	35 ¹³ / ₁₆
DZ4SEA4810A*	35½	35½	36 ⁷ / ₁₆
DZ4SEA6010A*	35½	35½	41 ¹⁰ / ₁₆





WARNING

High Voltage: Disconnect all power before servicing or installing this unit. Multiple power sources may be present. Failure to do so may cause property damage, personal injury, or death.

Wiring is subject to change. Always refer to the wiring diagram on the unit for the most up-to-date wiring.

ACCESSORIES

MODEL #	DESCRIPTION	DZ4SE A1810A*	DZ4SE A2410A*	DZ4SE A3010A*	DZ4SE A3610A*	DZ4SE A4210A*	DZ4SE A4810A*	DZ4SE A6010A*
ABK-20	Anchor Bracket Kit [◊]	X	X	X	X	X	X	X
CSR-U-1	Hard-start Kit	X	X	X	X			
CSR-U-2	Hard-start Kit					X	X	X
CSR-U-3	Hard-start Kit						X	X
FSK01A ¹	Freeze Protection Kit	X	X	X	X	X	X	X
LAKT01A	Low-Ambient Kit	X	X	X		X	X	X
OT18-60A ²	Outdoor Thermostat w/ Lockout Stat	X	X	X	X	X	X	X
TXV-FX-KX-2T ³	TXV Kit	X	X					
TXV-FX-KX-3T ³	TXV Kit			X	X			
TXV-FX-KX-5T ³	TXV Kit					X	X	X

◊ Contains 20 brackets; four brackets needed to anchor unit to pad

¹ Installed on indoor coil

² Required for heat pump applications where ambient temperatures fall below 0°F with 50% or higher relative humidity.

³ Condensing units and heat pumps with reciprocating or rotary compressors require the use of start-assist components when used in conjunction with an indoor coil using a non-bleed thermal expansion valve refrigerant metering device or liquid line solenoid kit. The TXV should always be sized based on the tonnage of the outdoor unit.