



TECHNICAL GUIDE

ECHELON™ SERIES SPLIT SYSTEM AIR CONDITIONERS 19 SEER – R-410A – 1 PHASE 2 TO 5 NOMINAL TON MODELS: AC19B24 TO 60

FOR INSTALLATION IN ALL US REGIONS AND CANADA



Due to continuous product improvement, specifications are subject to change without notice.

Visit us on the web at

www.simplygettingthejobdone.com and
www.colemanac.com

Additional rating information can be found at
www.ahridirectory.org

WARRANTY SUMMARY*

Extended 10-Years limited parts warranty.

Extended Lifetime limited compressor warranty.

Extended parts and compressor warranties require online registration within 90 days of purchase for replacement or closing for new home construction.

*Does not apply to 3-Phase models, or Internet sales.

See Limited Warranty certificate in User's Information Manual for details.

DESCRIPTION

The Echelon™ Series AC19 two-speed air conditioners are the outdoor section of a high efficiency cooling system. They are designed to be custom matched with one of our complete line of indoor sections. Matching air handlers are available for upflow, downflow and horizontal left or right applications to provide a complete system. Alternately, add-on coils are available for use with modular air handlers or multi-position furnaces. Electric heaters and field installed accessories are also available as needed.

FEATURES

- **Superior Coil Protection** – An easily removable two-piece steel extruded louver coil guard protects the tube-in-fin coil from debris and physical damage while making access for coil cleaning quick and simple.
- **Environmentally Friendly Refrigerant** – The next generation refrigerant R-410A delivers environmentally friendly performance with zero ozone depletion.
- **Durable Finish** – A high quality powder paint finish rated at 1000 hrs. salt spray provides the ultimate protection from corrosion and harmful UV rays, ensuring a long-lasting, high quality appearance.
- **WhisperDrive™ System** – Features a combination of engineered, sound-neutralizing attributes such as a swept-wing fan blade, composite base pan, multi-density compressor cloak and variable capacity operation to reduce sound levels to that of a mere conversation.
- **ECM Fan Motor** – Dynamically adjusts speed in sync with the outdoor temperature stage to keep heat exchange in balance while minimizing power consumption and sound.
- **Swept Wing Fan** – A design adapted from aerospace engineering provides whisper-quiet operation by allowing air to flow smoothly and efficiently across the fan surface and edges.
- **Composite Base Pan** – The strong and durable composite base pan is corrosion resistant while adding strength, absorbing sound, and reducing vibration.
- **High-Efficiency Outdoor Coil** – An aluminum fin and copper tube outdoor coil provide easy cleaning, low restriction to airflow and efficient heat exchange.
- **Factory Installed Filter Drier** – The liquid line filter drier removes debris and moisture which can be harmful to the system.
- **Climate Connect™** – provides pre-configured operating profiles the installing contractor can select during set-up to fine tune the system's operation for either Humid, Dry, or Normal climates. Additional fine-tune adjustments are always available to provide a custom comfort solution. (Available when paired with a variable speed indoor air mover).
- **Easy Service Access** – A large electrical box cover and a swing open electrical box provide superior full corner access to the inside of the unit for maintenance or service.
- **TXV Controls** – All indoor coils, whether in the cased CF/CM coil or in air handlers, may use dealer installed TXV's or indoor equipment with factory installed TXV's.

- **Two Speed, Protected Scroll Compressor** – The compressor is solenoid operated for 67% and 100% capacity. A suction accumulator tank protects the compressor from harm.
- **Communications Capable** – Designed to operate as a conventionally wired system or as a communicating system requiring only 4 thermostat wires between the outdoor and indoor equipment. The communicating system provides self-commissioning on start-up as well as the ability to check system status at the outdoor unit, thermostat, or remotely using the designated mobile application.
- **Advanced System Control** – The proprietary wi-fi Hx™ thermostat interface is an integral part of this innovative system design. Using the Consumer mobile application, consumers can monitor and adjust their system from anywhere in the world using a smart device. Contractors can use the Service application (with homeowner permission), to monitor the system remotely and make adjustments as needed. The system can be configured to provide alerts for emerging issues as well as items that require immediate attention.
- **Agency Listed** – Safety certified by CSA to UL 1995 / CSA 22.2. Performance certified to ANSI/AHRI Standard 210/240 in accordance with the Unitary Small Equipment certification program.

LIST OF SECTIONS

DESCRIPTION1
FEATURES2
LIST OF SECTIONS2
NOMENCLATURE2
PHYSICAL AND ELECTRICAL DATA3
DIMENSIONS3
SYSTEM CHARGE FOR VARIOUS MATCHED SYSTEMS - N COIL 4
SYSTEM CHARGE FOR VARIOUS MATCHED SYSTEMS - A COIL 4
SYSTEM CAPACITY - With Air Handler Coils5
SYSTEM CAPACITY - Upflow, Downflow and Horizontal Furnaces and Coils (Coil Only Ratings)10
SYSTEM CAPACITY - With High Efficiency Motor Furnaces ...14
APPLICATIONS AND ACCESSORIES149
SOUND POWER RATINGS150
MECHANICAL SPECIFICATIONS151
TYPICAL INSTALLATION152
TYPICAL FIELD WIRING153
ALTERNATIVE INSTALLATION CLEARANCES153
PERFORMANCE DATA - 2 TON154
PERFORMANCE DATA - 3 TON162
PERFORMANCE DATA - 4 TON175
PERFORMANCE DATA - 5 TON186

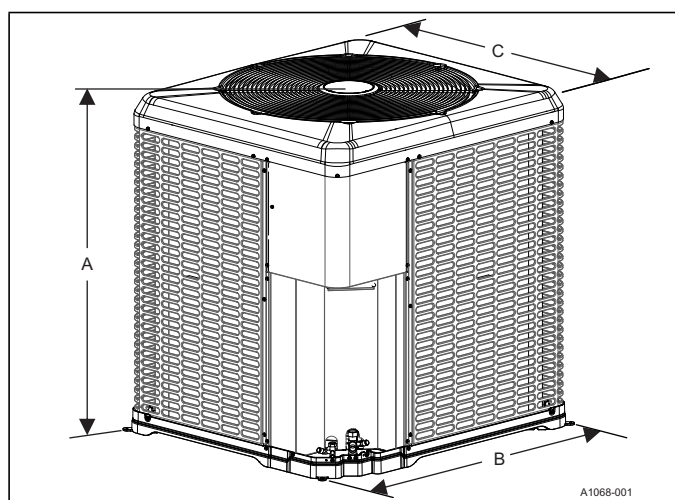
NOMENCLATURE

PRODUCT TYPE	A	A = Premium Air Conditioner
BRAND	C	C = Coleman
NOMINAL SERIES EFFICIENCY AND STAGING	19	19 = 19 SEER / 2-Stage
REFRIGERANT	B	B = R-410A
NOMINAL UNIT CAPACITY (MBH)	36	24 = 2 Ton 48 = 4 Ton 36 = 3 Ton 60 = 5 Ton
VOLTAGE (Voltage-Phase-Hertz)	2	2 = 208/230-1-60
GENERATION (MAJOR REVISION)	1	1 = 1st Gen 2 = 2nd Gen
FACTORY OPTION	S	S = Standard (No Options) H = Hard Start Kit
STYLE LETTER (MINOR REVISION) NOT USED FOR ORDERING	A	A = Style A B = Style B

PHYSICAL AND ELECTRICAL DATA

MODEL		AC19B2421S	AC19B3621S	AC19B4821S	AC19B6021S
Unit supply voltage		208-230 V, 1 ϕ , 60 Hz			
Normal voltage range ¹ (V)		187 to 252			
Minimum circuit ampacity (A)		15.3	21.4	28.2	31.4
Maximum overcurrent device (A) ²		25	35	45	50
Minimum overcurrent device (A) ³		20	25	30	35
Compressor	Type ⁴	Scroll	Scroll	Scroll	Scroll
	Rated load (A)	10.0	14.8	20.4	22.9
	Locked rotor (A)	62.9	84.2	122.1	147.2
Crankcase heater		No	No	No	No
Factory external discharge muffler		No	No	No	No
Hard start kit required with TXV ⁵		No	No	No	No
Hard start kit part number (S1-2SA067****)		10106	10106	10106	10106
Fan diameter (in.)		26	26	26	26
Fan motor	Rated HP	1/3	1/3	1/3	1/3
	Rated load (A)	2.80	2.80	2.80	2.80
	Nominal RPM	574	689	800	777
	Nominal CFM	2650	3350	3925	3900
Coil	Face area (sq ft)	26.40	31.20	31.20	31.20
	Rows deep	1	2	2	2
	Fins per inch	25	22	22	22
Liquid refrigeration piping outdoor (field installed)		3/8	3/8	3/8	3/8
Vapor refrigeration piping outdoor (field installed) ⁶		3/4	3/4	7/8	1 1/8 [‡]
Unit charge (lb - oz) ⁷		8 - 8	13 - 6	15 - 1	16 - 11
Charge (oz/ft)		0.62	0.62	0.67	0.75
Operating weight (lb)		195	265	295	295

1. Rated in accordance with AHRI Standard 110-2012, utilization range A.
 2. Dual element fuses or HACR circuit breaker. Maximum allowable overcurrent protection.
 3. Dual element fuses or HACR circuit breaker. Minimum recommended overcurrent protection.
 4. Rotary compressor models are limited to an equivalent length of refrigeration piping of 100 ft with no exceptions.
 5. Refer to the *Hard Start Kit Accessory Installation Manual* for the hard start kit part number for each model. The hard start kit is a field installed accessory.
 6. For applications with non-standard vapor line sizes, see the *Applications and accessories* section.
 7. The unit charge is correct for the outdoor unit, smallest matched indoor unit, and 15 ft of refrigerant tubing. For tubing lengths other than 15 ft, add or subtract the amount of refrigerant, using the difference in actual refrigeration piping length (not the equivalent length) multiplied by the per foot value.
- ‡ The adapter fitting must be field installed for the required 1 1/8 in. refrigeration piping.



DIMENSIONS

Unit model	Dimensions (in.)			Refrigerant connection service valve size (in.)	
	A	B	C	Liquid	Vapor
AC19B2421S	40 1/4	38 1/4	34 1/2	3/8	3/4
AC19B3621S	46 1/2	38 1/4	34 1/2		7/8
AC19B4821S	46 1/2	38 1/4	34 1/2		7/8 [‡]
AC19B6021S	46 1/2	38 1/4	34 1/2		

‡ The adapter fitting must be field installed for the required 1 1/8 in. refrigeration piping.

Notes:

- All dimensions are in inches and are subject to change without notice.
- The overall height is from the bottom of the base pan to the top of the fan guard.
- The overall length and width include screw heads.

SYSTEM CHARGE FOR VARIOUS MATCHED SYSTEMS - N COIL

Outdoor unit	AC19B24BS21	AC19B36B21S	AC19B48B21S	AC19B60B21S
Required indoor metering device ^{1,2}	BH1	BA1	BC1	BC1
Indoor unit ^{3,4,5}	Additional charge (oz)			
AE24B	0	—	—	—
AE30B	2	—	—	—
AE36(B,C)	4	0	—	—
AE42C	—	6	—	—
AE48(C,D)	—	6	18	—
AE60C	8	8	23	7
AE60D	—	36	26	7
AVC24B	0	—	—	—
AVC30B	2	—	—	—
AVC36(B,C)	4	0	—	—
AVC42C	6	6	—	—
AVC48(C,D)	7	6	18	—
AVC60C	8	8	23	7
AVC60D	—	36	26	7
CF/CM/CU24(A,B,C)	0	—	—	—
CF/CM/CU30(A,B,C,D)	2	—	—	—
CF/CM/CU36(A,B,C,D)	4	0	—	—
CF/CM/CU42(B,C,D)	6	3	—	—
CF/CM/CU48(C,D)	7	6	18	—
CF/CM/CU60(C,D)	8	8	23	7
CF/CM64D	—	36	26	7
Note: All of the combinations shown in this table require advanced main air circulating fan indoor product. Coil Only matches are not available for these systems.				

1. For applications that require a TXV, use S1-1TVM*** series kit.

2. A TXV kit must be used with these indoor units to obtain system performance.

3. Systems matched with furnaces or air handlers not equipped with blower-off delays may require blower time delay.

4. Do not use CF coils in horizontal applications.

5. Charge adders shown above do not indicate that coils are rated for every application. See the performance data tables for actual performance for specified system matches. Obtain certified system ratings from www.ahridirectory.org.

SYSTEM CHARGE FOR VARIOUS MATCHED SYSTEMS - A COIL

Outdoor unit	AC19B24B21S	AC19B36B21S	AC19B48B21S	AC19B60B21S
Required indoor metering device ^{1,2}	BA1	BC1	BC1	BC1
Indoor unit ^{3,4,5}	Additional charge (oz)			
XAFA30D	21	—	—	—
XAF/XAH/XAUB36D	21	18	—	—
XAF/XAHC36D	21	18	—	—
XAF/XAH/XAUC48F	26	22	0	—
XAF/XAHD48F	26	22	0	—
XAF/XAH/XAUC60G	33	28	6	0
XAF/XAH/XAUD60G	33	28	6	0
XAF/XAH/XAUD60H	—	28	12	1
XAF/XAHC60H	—	28	12	1
XAF/XAHD60J	—	—	18	8
Note: Some of the combinations shown in this table require advanced main air circulating fan indoor product. For approved coil only matches, refer to the <i>COOLING CAPACITY - Upflow, Downflow, and Horizontal Furnaces and Coils (Coil Only Ratings)</i> table in the <i>Technical Guide</i> .				

1. For applications that require a TXV, use S1-1TVM*** series kit.

2. A TXV kit must be used with these indoor units to obtain system performance.

3. Systems matched with furnaces or air handlers not equipped with blower-off delays may require blower time delay.

4. Do not use XAF/XAU coils in horizontal applications. Do not use XAH coils in upflow or downflow applications.

5. Charge adders shown above do not indicate that coils are rated for every application. See the performance data tables for actual performance for specified system matches. Obtain certified system ratings from www.ahridirectory.org.

CHARGING

1. Check the factory unit charge listed on the unit nameplate to verify the refrigerant charge for the outdoor unit, the smallest matched indoor unit, and the 15 ft of interconnecting refrigeration piping.
2. Verify the indoor metering device and additional charge required for the specific matched indoor unit in the system using the table above.
3. Add additional charge for the amount of interconnecting refrigeration piping greater than 15 ft at the rate specified in the *Physical and electrical data* table.
4. For installations requiring additional charge, weigh in refrigerant for the specific matching indoor unit and actual refrigeration piping length.
5. After weighing in the charge adders for the matched indoor unit and refrigeration piping, verify the system operation against the temperatures and pressures in the charging chart for the outdoor unit. Locate the charging charts on the outdoor unit and also in the *Service Data Application Guide* on www.simplygettingthejobdone.com. Follow the subcool or superheat charging procedure in the *Installation Manual* according to the type of indoor metering device in the system, and allow 10 min after each charge adjustment for the system operation to stabilize. Record the charge adjustment made to match the charging chart.
6. Permanently stamp the unit nameplate with the **total system charge** defined as follows: total system charge = base charge (as shipped) + charge adder for matched indoor unit + charge adder for actual refrigeration piping length + charge adjustments to match the charging chart.

SYSTEM CAPACITY - With Air Handler Coils

UNIT MODEL	AIR HANDLER		COIL MODEL ¹	STAGE	RATED CFM	COOLING			
	MODEL	WIDTH				NET MBH		SEER	EER
						TOTAL	SENS.		
AC19B2421S	AE24BX21	17.5	—	1	675	20.20	16.20	17.75	26.80
				2	850	23.40	19.20		14.75
AC19B2421S	AE30BX21	17.5	—	1	625	20.20	15.50	18.50	27.25
				2	750	23.60	18.20		15.00
AC19B2421S	AE36CX21	21.0	—	1	725	21.00	16.90	19.25	28.80
				2	875	23.80	19.30		15.50
AC19B2421S	AVC24BX21	17.5	—	1	550	19.60	14.50	18.00	26.95
				2	850	23.20	19.00		14.50
AC19B2421S	AVC30BX21	17.5	—	1	625	20.20	15.50	18.50	27.35
				2	875	23.60	19.20		14.75
AC19B2421S	AVC36BX21	17.5	—	1	650	20.40	16.20	18.75	27.65
				2	925	23.80	19.90		15.00
AC19B2421S	AVC36CX21	21.0	—	1	625	20.40	15.60	18.75	28.10
				2	900	23.80	19.80		15.25
AC19B2421S	AVC42CX21	21.0	—	1	625	20.40	15.80	19.25	28.35
				2	900	23.80	19.60		15.50
AC19B2421S	AVC48CX21	21.0	—	1	600	20.40	15.60	19.25	28.20
				2	925	23.80	19.90		15.50
AC19B2421S	AVC48DX21	24.5	—	1	550	20.00	14.60	19.25	27.95
				2	875	23.80	19.20		15.50
AC19B2421S	ME08BN21	17.5	CF/CM24B	1	625	19.90	15.50	18.00	26.85
				2	800	23.20	18.40		14.75
AC19B2421S	ME08BN21	17.5	CF/CM30B	1	625	20.20	15.50	18.50	27.50
				2	900	23.60	19.30		14.75
AC19B2421S	ME08BN21	17.5	CF/CM36B	1	625	20.40	15.60	18.50	27.80
				2	900	23.80	19.70		15.00
AC19B2421S	ME08BN21	17.5	CF42B	1	625	20.40	15.60	19.00	27.95
				2	900	23.80	19.60		15.00
AC19B2421S	ME12BN21	17.5	CF/CM24B	1	700	20.40	16.50	18.00	27.15
				2	875	23.40	19.50		14.75
AC19B2421S	ME12BN21	17.5	CF/CM30B	1	700	20.60	16.60	18.50	27.55
				2	875	23.60	19.20		15.00
AC19B2421S	ME12BN21	17.5	CF/CM36B	1	700	20.60	16.80	18.75	27.70
				2	875	23.80	19.30		15.25
AC19B2421S	ME12BN21	17.5	CF42B	1	700	20.80	16.70	19.00	28.05
				2	850	23.80	19.30		15.25
AC19B2421S	ME12CN21	21.0	CF/CM24C	1	650	20.20	15.90	18.25	27.35
				2	850	23.40	19.20		15.00
AC19B2421S	MVC08BN21	17.5	CF/CM24B	1	525	19.40	14.10	17.75	26.80
				2	800	23.20	18.40		14.75

SYSTEM CAPACITY - With Air Handler Coils (Continued)

UNIT MODEL	AIR HANDLER		COIL MODEL ¹	STAGE	RATED CFM	COOLING			
	MODEL	WIDTH				NET MBH		SEER	EER
						TOTAL	SENS.		
AC19B2421S	MVC08BN21	17.5	CF/CM30B	1	525	19.60	14.20	18.25	27.00
				2	800	23.60	18.50		15.00
AC19B2421S	MVC08BN21	17.5	CF/CM36B	1	525	19.60	14.30	18.50	27.15
				2	800	23.80	18.70		15.00
AC19B2421S	MVC08BN21	17.5	CF42B	1	525	19.80	14.20	18.75	27.55
				2	825	23.80	19.00		15.00
AC19B2421S	MVC12BN21	17.5	CF/CM24B	1	625	20.00	15.50	18.00	27.15
				2	875	23.40	19.50		14.75
AC19B2421S	MVC12BN21	17.5	CF/CM30B	1	625	20.20	15.50	18.50	27.65
				2	875	23.60	19.20		15.00
AC19B2421S	MVC12BN21	17.5	CF/CM36B	1	625	20.40	15.60	18.75	27.95
				2	875	23.80	19.30		15.25
AC19B2421S	MVC12BN21	17.5	CF42B	1	625	20.40	15.60	19.00	28.05
				2	875	23.80	19.40		15.25
AC19B2421S	MVC12CN21	21.0	CF/CM24C	1	650	20.20	15.90	18.25	27.65
				2	875	23.40	19.50		15.00
AC19B2421S	MVC12CN21	21.0	CF/CM30C	1	675	20.40	16.10	19.00	28.15
				2	875	23.60	19.20		15.25
AC19B2421S	MVC12CN21	21.0	CF/CM36C	1	650	20.40	15.80	19.25	28.45
				2	875	23.80	19.30		15.50
AC19B2421S	MVC12CN21	21.0	CF/CM42C	1	675	20.60	16.20	19.50	28.80
				2	875	23.80	19.30		15.50
AC19B2421S	MVC12CN21	21.0	CF/CM48C	1	675	20.80	16.40	19.75	29.05
				2	875	23.80	19.20		15.50
AC19B2421S	MVC12CN21	21.0	CF/CM60C	1	675	20.80	16.30	19.75	29.05
				2	875	23.80	19.20		15.50
AC19B2421S	MVC14DN21	24.5	CF/CM30D	1	600	20.20	15.40	19.00	28.25
				2	875	23.60	19.20		15.50
AC19B2421S	MVC14DN21	24.5	CF/CM36D	1	600	20.20	15.50	19.25	28.30
				2	875	23.80	19.30		15.50
AC19B2421S	MVC14DN21	24.5	CF/CM42D	1	600	20.40	15.30	19.50	28.80
				2	875	23.80	19.30		15.50
AC19B2421S	MVC14DN21	24.5	CF/CM48D	1	600	20.40	15.60	19.50	28.80
				2	875	23.80	19.20		15.50
AC19B2421S	MVC14DN21	24.5	CF/CM60D	1	600	20.40	15.30	19.75	28.95
				2	875	23.80	19.10		15.50
AC19B2421S	MVC16CN21	21.0	CF/CM30C	1	650	20.40	15.80	18.75	28.15
				2	925	23.60	19.50		15.25
AC19B2421S	MVC16CN21	21.0	CF/CM36C	1	650	20.40	16.20	19.25	28.20
				2	925	23.80	19.90		15.50
AC19B2421S	MVC16CN21	21.0	CF/CM42C	1	650	20.60	16.00	19.25	28.65
				2	925	23.80	19.90		15.50
AC19B2421S	MVC16CN21	21.0	CF/CM48C	1	650	20.60	16.10	19.50	28.75
				2	925	23.80	19.90		15.50
AC19B2421S	MVC16CN21	21.0	CF/CM60C	1	650	20.60	15.90	19.50	28.85
				2	925	23.80	19.70		15.50
AC19B3621S	AE36BX21	17.5	—	1	1025	29.80	23.60	17.25	24.50
				2	1125	35.20	27.40		14.00
AC19B3621S	AE36CX21	21.0	—	1	1050	30.00	24.20	18.00	25.65
				2	1200	35.40	28.20		14.25
AC19B3621S	AE42CX21	21.0	—	1	1000	30.20	23.60	18.00	25.95
				2	1175	35.60	28.40		14.25

SYSTEM CAPACITY - With Air Handler Coils (Continued)

UNIT MODEL	AIR HANDLER		COIL MODEL ¹	STAGE	RATED CFM	COOLING			
	MODEL	WIDTH				NET MBH		SEER	EER
						TOTAL	SENS.		
AC19B3621S	AE48CX21	21.0	—	1	1100	30.60	25.20	18.25	26.30
				2	1250	36.00	29.00		14.50
AC19B3621S	AE48DX21	24.5	—	1	1100	30.60	25.20	18.50	26.85
				2	1300	36.00	29.80		14.75
AC19B3621S	AE60DX21	24.5	—	1	1200	31.40	26.40	18.25	26.70
				2	1375	36.00	29.40		14.75
AC19B3621S	AVC36BX21	17.5	—	1	750	28.20	20.60	17.25	24.30
				2	1150	35.00	27.60		13.75
AC19B3621S	AVC36CX21	21.0	—	1	850	28.80	21.80	17.75	25.35
				2	1225	35.40	28.80		14.00
AC19B3621S	AVC42CX21	21.0	—	1	800	29.00	21.20	17.75	25.50
				2	1250	36.00	29.00		14.00
AC19B3621S	AVC48CX21	21.0	—	1	825	29.00	21.40	18.00	25.60
				2	1275	36.00	28.60		14.25
AC19B3621S	AVC48DX21	24.5	—	1	850	29.20	21.80	18.25	26.15
				2	1300	36.00	29.80		14.50
AC19B3621S	AVC60CX21	21.0	—	1	800	28.80	21.00	17.75	25.00
				2	1200	36.00	27.80		14.00
AC19B3621S	AVC60DX21	24.5	—	1	825	29.40	21.60	18.25	26.20
				2	1100	36.00	27.40		14.75
AC19B3621S	ME12BN21	17.5	CF/CM36B	1	900	29.20	22.40	17.50	24.95
				2	1225	35.20	28.60		13.75
AC19B3621S	ME12BN21	17.5	CF42B	1	875	29.40	22.00	17.75	25.00
				2	1050	35.20	26.60		14.25
AC19B3621S	ME12CN21	21.0	CF/CM36C	1	900	29.20	22.40	17.75	25.35
				2	1225	35.40	28.80		14.00
AC19B3621S	ME14DN21	24.5	CF/CM36D	1	925	29.20	22.80	18.00	25.50
				2	1200	35.40	28.20		14.25
AC19B3621S	ME14DN21	24.5	CF/CM42D	1	925	29.60	22.60	18.25	26.15
				2	1200	35.80	28.40		14.50
AC19B3621S	ME14DN21	24.5	CF/CM48D	1	925	29.80	23.00	18.25	26.30
				2	1200	35.80	28.80		14.50
AC19B3621S	ME14DN21	24.5	CF/CM60D	1	925	29.80	22.80	18.25	26.40
				2	1200	36.00	27.80		14.75
AC19B3621S	ME14DN21	24.5	CF/CM64D	1	925	30.00	23.00	18.50	26.85
				2	1375	36.00	29.40		14.50
AC19B3621S	ME16CN21	21.0	CF/CM36C	1	950	29.40	23.00	17.75	24.95
				2	1100	35.20	27.20		14.25
AC19B3621S	ME16CN21	21.0	CF/CM42C	1	975	30.00	23.40	18.00	25.80
				2	1325	36.00	29.40		14.00
AC19B3621S	ME16CN21	21.0	CF/CM48C	1	975	29.80	23.40	18.00	25.85
				2	1325	36.00	29.60		14.00
AC19B3621S	ME16CN21	21.0	CF/CM60C	1	975	30.00	23.40	18.00	26.00
				2	1325	36.00	29.60		14.00
AC19B3621S	MVC08BN21	17.5	CF/CM36B	1	550	26.40	17.20	16.75	23.15
				2	1000	34.60	26.00		14.00
AC19B3621S	MVC08BN21	17.5	CF42B	1	550	26.60	17.30	16.75	23.25
				2	1000	34.80	25.80		14.00
AC19B3621S	MVC12BN21	17.5	CF/CM36B	1	750	28.20	20.60	17.50	24.50
				2	1125	35.20	27.40		14.00
AC19B3621S	MVC12BN21	17.5	CF42B	1	850	29.20	21.60	17.50	25.15
				2	1300	35.80	29.00		13.50

SYSTEM CAPACITY - With Air Handler Coils (Continued)

UNIT MODEL	AIR HANDLER		COIL MODEL ¹	STAGE	RATED CFM	COOLING			
	MODEL	WIDTH				NET MBH		SEER	EER
						TOTAL	SENS.		
AC19B3621S	MVC12CN21	21.0	CF/CM36C	1	775	28.40	20.80	17.75	25.15
				2	1175	35.40	28.20		14.25
AC19B3621S	MVC12CN21	21.0	CF/CM42C	1	850	29.20	22.00	18.00	25.45
				2	1000	35.00	25.80		14.50
AC19B3621S	MVC12CN21	21.0	CF/CM48C	1	850	29.20	22.00	18.00	25.55
				2	1000	35.20	26.20		14.50
AC19B3621S	MVC12CN21	21.0	CF/CM60C	1	775	28.80	20.80	18.00	25.60
				2	1175	36.00	28.00		14.50
AC19B3621S	MVC14DN21	24.5	CF/CM36D	1	800	28.60	21.40	18.00	25.60
				2	1250	35.80	29.20		14.50
AC19B3621S	MVC14DN21	24.5	CF/CM42D	1	850	29.40	21.80	18.50	26.55
				2	1325	36.00	29.40		14.50
AC19B3621S	MVC14DN21	24.5	CF/CM48D	1	850	29.20	22.00	18.25	26.45
				2	1350	36.00	30.00		14.75
AC19B3621S	MVC14DN21	24.5	CF/CM60D	1	850	29.20	21.80	18.50	26.55
				2	1325	36.00	29.60		14.75
AC19B3621S	MVC14DN21	24.5	CF/CM64D	1	850	29.60	22.00	18.75	26.90
				2	1350	36.00	29.60		14.75
AC19B3621S	MVC16CN21	21.0	CF/CM36C	1	825	28.60	21.60	17.75	25.25
				2	1275	35.80	29.40		14.25
AC19B3621S	MVC16CN21	21.0	CF/CM42C	1	850	29.20	21.60	18.00	25.95
				2	1325	36.00	29.40		14.50
AC19B3621S	MVC16CN21	21.0	CF/CM48C	1	850	29.20	21.60	18.00	25.90
				2	1325	36.00	29.60		14.50
AC19B3621S	MVC16CN21	21.0	CF/CM60C	1	850	29.20	21.60	18.00	25.90
				2	1325	36.00	29.60		14.50
AC19B3621S	MVC20DN21	24.5	CF/CM36D	1	875	29.00	22.00	18.25	25.90
				2	1275	35.80	29.40		14.50
AC19B3621S	MVC20DN21	24.5	CF/CM42D	1	900	29.60	22.40	18.50	26.55
				2	1300	36.00	29.20		14.75
AC19B3621S	MVC20DN21	24.5	CF/CM48D	1	950	30.00	23.20	18.50	26.80
				2	1375	36.00	30.20		14.75
AC19B3621S	MVC20DN21	24.5	CF/CM60D	1	900	29.80	22.60	19.00	26.80
				2	1275	36.00	29.20		14.75
AC19B3621S	MVC20DN21	24.5	CF/CM64D	1	950	30.40	23.20	19.00	27.35
				2	1375	36.00	29.40		15.00
AC19B4821S	AE48CX21	21.0	—	1	1250	40.50	31.20	17.50	24.95
				2	1700	47.50	36.00		12.50
AC19B4821S	AE48DX21	24.5	—	1	1300	41.00	32.00	17.75	25.60
				2	1675	47.50	35.80		13.00
AC19B4821S	AE60CX21	21.0	—	1	1225	40.00	30.60	17.00	24.50
				2	1425	48.00	35.60		13.50
AC19B4821S	AE60DX21	24.5	—	1	1200	41.50	31.00	18.00	25.90
				2	1750	48.00	38.50		13.25
AC19B4821S	AVC48CX21	21.0	—	1	875	38.50	25.80	17.25	24.95
				2	1350	48.00	34.80		13.25
AC19B4821S	AVC48DX21	24.5	—	1	900	39.00	26.60	17.50	25.35
				2	1375	48.00	35.20		13.50
AC19B4821S	AVC60CX21	21.0	—	1	900	38.50	26.20	16.75	24.50
				2	1400	48.00	35.80		13.00
AC19B4821S	AVC60DX21	24.5	—	1	1050	40.00	28.60	18.00	25.85
				2	1425	48.00	35.60		13.50

SYSTEM CAPACITY - With Air Handler Coils (Continued)

UNIT MODEL	AIR HANDLER		COIL MODEL ¹	STAGE	RATED CFM	COOLING			
	MODEL	WIDTH				NET MBH		SEER	EER
						TOTAL	SENS.		
AC19B4821S	ME14DN21	24.5	CF/CM48D	1	1225	40.50	31.00	17.50	24.85
				2	1375	48.00	35.00		13.50
AC19B4821S	ME14DN21	24.5	CF/CM60D	1	1225	41.00	30.80	17.25	25.35
				2	1375	48.00	35.60		13.50
AC19B4821S	ME14DN21	24.5	CF/CM64D	1	1225	40.50	30.40	17.50	25.20
				2	1475	48.00	36.20		13.50
AC19B4821S	ME16CN21	21.0	CF/CM48C	1	1150	40.00	29.80	17.00	24.75
				2	1500	48.00	36.40		13.00
AC19B4821S	ME16CN21	21.0	CF/CM60C	1	1150	40.00	29.80	17.00	24.85
				2	1500	48.00	36.60		13.00
AC19B4821S	ME20DN21	24.5	CF/CM48D	1	1325	41.00	32.20	17.75	25.50
				2	1700	48.00	36.40		13.00
AC19B4821S	ME20DN21	24.5	CF/CM60D	1	1325	40.50	31.80	17.50	25.35
				2	1700	48.00	38.50		13.50
AC19B4821S	ME20DN21	24.5	CF/CM64D	1	1325	42.00	32.20	18.00	26.15
				2	1675	48.00	38.00		13.50
AC19B4821S	MVC12CN21	21.0	CF/CM48C	1	725	37.20	23.80	17.00	24.55
				2	1375	48.00	35.00		13.50
AC19B4821S	MVC12CN21	21.0	CF/CM60C	1	725	36.40	23.60	16.75	24.35
				2	1375	48.00	35.60		13.50
AC19B4821S	MVC14DN21	24.5	CF/CM48D	1	850	38.50	25.80	17.50	25.40
				2	1350	48.00	34.80		13.75
AC19B4821S	MVC16CN21	21.0	CF/CM48C	1	950	39.00	27.00	17.25	25.30
				2	1500	48.00	36.40		13.25
AC19B4821S	MVC16CN21	21.0	CF/CM60C	1	950	39.00	27.20	17.25	25.25
				2	1500	48.00	36.80		13.25
AC19B4821S	MVC20DN21	24.5	CF/CM48D	1	950	39.00	27.00	17.75	25.65
				2	1375	48.00	35.20		13.75
AC19B4821S	MVC20DN21	24.5	CF/CM60D	1	1150	40.50	30.00	18.00	26.25
				2	1775	48.00	38.50		13.50
AC19B4821S	MVC20DN21	24.5	CF/CM64D	1	1150	40.50	30.00	18.00	26.20
				2	1775	48.00	39.00		13.50
AC19B6021S	AE60CX21	21.0	—	1	1450	47.50	36.20	15.75	22.10
				2	1650	58.00	43.00		12.50
AC19B6021S	AE60DX21	24.5	—	1	1400	48.50	36.20	16.50	23.25
				2	1750	59.50	44.50		13.00
AC19B6021S	AVC60CX21	21.0	—	1	1025	45.00	30.60	15.75	22.30
				2	1625	57.50	42.00		12.00
AC19B6021S	AVC60DX21	24.5	—	1	1050	46.00	31.40	16.50	23.25
				2	1600	58.50	42.50		13.00
AC19B6021S	ME14DN21	24.5	CF/CM60D	1	1400	47.50	35.40	16.00	22.40
				2	1500	57.50	41.00		13.00
AC19B6021S	ME14DN21	24.5	CF/CM64D	1	1375	48.00	35.80	16.25	22.70
				2	1475	58.50	41.00		13.00
AC19B6021S	ME16CN21	21.0	CF/CM60C	1	1350	47.00	34.80	15.75	22.15
				2	1500	57.50	41.00		12.75
AC19B6021S	ME20DN21	24.5	CF/CM60D	1	1325	47.50	35.20	16.50	23.50
				2	1700	58.50	43.50		13.00
AC19B6021S	ME20DN21	24.5	CF/CM64D	1	1325	48.00	35.20	17.00	23.85
				2	1675	59.50	43.50		13.25
AC19B6021S	MVC14DN21	24.5	CF/CM60D	1	1000	45.00	30.40	16.50	23.10
				2	1450	57.50	40.50		13.00

SYSTEM CAPACITY - With Air Handler Coils (Continued)

UNIT MODEL	AIR HANDLER		COIL MODEL ¹	STAGE	RATED CFM	COOLING			
	MODEL	WIDTH				NET MBH		SEER	EER
						TOTAL	SENS.		
AC19B6021S	MVC14DN21	24.5	CF/CM64D	1	1000	45.50	30.60	16.50	23.45
				2	1450	58.50	41.00		13.25
AC19B6021S	MVC16CN21	21.0	CF/CM60C	1	1075	45.50	31.60	16.25	23.10
				2	1725	58.50	44.00		12.50
AC19B6021S	MVC20DN21	24.5	CF/CM60D	1	1150	46.50	32.60	16.75	23.75
				2	1775	59.00	44.50		13.00
AC19B6021S	MVC20DN21	24.5	CF/CM64D	1	1150	47.00	33.00	17.00	24.00
				2	1775	60.00	45.00		13.00

Rated in accordance with DOE test procedures (Federal Register 12-27-79 and 3-18-88) and ANSI/AHRI Standard 210/240.

Cooling MBH based on 80°F entering air temperature, 50% RH (Relative Humidity), and rated air flow.

EER (Energy Efficiency Ratio) is the total cooling output in BTUs at 95°F outdoor ambient divided by the total electric power in watt-hours at those conditions.

SEER (Seasonal Energy Efficiency Ratio) is the total cooling output in BTUs during a normal annual usage period for cooling divided by the total electric power input in watt-hours during the same period.

1. CM coils available with a factory installed horizontal drain pan. See price pages for specific model number.

— = Not applicable.

Modular air handlers use coil only ratings.

SYSTEM CAPACITY - Upflow, Downflow and Horizontal Furnaces and Coils (Coil Only Ratings)

UNIT MODEL	COIL		CFM RANGE (MIN.-MAX.)	STAGE	RATED CFM	COOLING			
	MODEL	WIDTH				NET MBH		SEER ¹	EER
						TOTAL	SENS.		
AC19B24B21S	CF/CM/CU24B	17.5	525 - 725	1	600	19.3	14.7	15.00	21.25
AC19B24B21S	CF/CM/CU24B	17.5	600 - 1000	2	800	22.8	18.2	15.00	12.75
AC19B24B21S	CF/CM/CU30B	17.5	550 - 650	1	600	19.5	14.8	15.00	21.60
AC19B24B21S	CF/CM/CU30B	17.5	650 - 950	2	800	23.4	18.3	—	13.00
AC19B24B21S	CF/CM/CU36B	17.5	550 - 650	1	600	19.5	15.0	15.25	21.65
AC19B24B21S	CF/CM/CU36B	17.5	650 - 950	2	800	23.6	18.5	—	13.00
AC19B24B21S	CF/CM/CU42C	21.0	550 - 650	1	600	19.7	14.8	15.50	22.00
AC19B24B21S	CF/CM/CU42C	21.0	650 - 950	2	800	23.8	18.8	—	13.25
AC19B24B21S	CF/CM/CU48C	21.0	550 - 650	1	600	19.7	13.5	15.75	22.00
AC19B24B21S	CF/CM/CU48C	21.0	650 - 950	2	800	23.8	17.0	—	13.50
AC19B24B21S	CF/CM/CU60C	21.0	525 - 725	1	600	19.8	14.8	15.75	22.10
AC19B24B21S	CF/CM/CU60C	21.0	600 - 1000	2	800	24.0	18.7	15.75	13.25
AC19B24B21S	CF/CM24B	17.5	550 - 650	1	600	19.3	14.7	15.00	21.25
AC19B24B21S	CF/CM24B	17.5	650 - 950	2	800	22.8	18.2	—	12.75
AC19B24B21S	CF/CM36A	14.5	550 - 650	1	600	19.2	13.1	14.75	20.90
AC19B24B21S	CF/CM36A	14.5	650 - 950	2	800	23.4	16.7	—	12.75
AC19B24B21S	CF/CM36C	21.0	550 - 650	1	600	19.2	13.1	14.75	20.90
AC19B24B21S	CF/CM36C	21.0	650 - 950	2	800	23.4	16.7	—	12.75
AC19B24B21S	CF/CM48D	24.5	550 - 650	1	600	19.4	13.3	15.25	21.25
AC19B24B21S	CF/CM48D	24.5	650 - 950	2	800	23.6	17.0	—	12.75
AC19B24B21S	CF/CM60C	21.0	550 - 650	1	600	19.8	14.8	15.75	22.10
AC19B24B21S	CF/CM60C	21.0	650 - 950	2	800	24.0	18.7	—	13.25
AC19B24B21S	CF/CM60D	24.5	550 - 650	1	600	19.3	13.2	14.75	21.05
AC19B24B21S	CF/CM60D	24.5	650 - 950	2	800	23.4	16.8	—	12.75
AC19B24B21S	XAF/XAUB36D	17.5	550 - 650	1	600	19.7	13.9	15.25	21.70
AC19B24B21S	XAF/XAUB36D	17.5	650 - 950	2	800	23.8	17.5	—	13.00
AC19B24B21S	XAF/XAUC60G	21.0	550 - 650	1	600	19.9	14.0	15.50	22.05
AC19B24B21S	XAF/XAUC60G	21.0	650 - 950	2	800	23.6	17.6	—	13.00
AC19B24B21S	XAF/XAUD60G	24.5	550 - 650	1	600	19.9	14.0	15.50	22.05
AC19B24B21S	XAF/XAUD60G	24.5	650 - 950	2	800	23.6	17.6	—	13.00
AC19B24B21S	XAFA30D	14.5	550 - 650	1	600	19.7	13.9	15.25	21.70

SYSTEM CAPACITY - Upflow, Downflow and Horizontal Furnaces and Coils (Coil Only Ratings) (Continued)

UNIT MODEL	COIL		CFM RANGE (MIN.-MAX.)	STAGE	COOLING				
	MODEL	WIDTH			RATED CFM	NET MBH		SEER ¹	EER
						TOTAL	SENS.		
AC19B24B21S	XAFA30D	14.5	650 - 950	2	800	23.8	17.5	—	13.00
AC19B24B21S	XAFC36D	21.0	550 - 650	1	600	19.7	13.9	15.25	21.70
AC19B24B21S	XAFC36D	21.0	650 - 950	2	800	23.8	17.5	—	13.00
AC19B24B21S	XAFD48F	24.5	550 - 650	1	600	19.7	13.7	15.50	21.65
AC19B24B21S	XAFD48F	24.5	650 - 950	2	800	23.6	17.1	—	13.00
AC19B24B21S	XAHB36D	17.5	550 - 650	1	600	19.7	13.9	15.25	21.70
AC19B24B21S	XAHB36D	17.5	650 - 950	2	800	23.8	17.5	—	13.00
AC19B24B21S	XAHC36D	21.0	550 - 650	1	600	19.7	13.9	15.25	21.70
AC19B24B21S	XAHC36D	21.0	650 - 950	2	800	23.8	17.5	—	13.00
AC19B24B21S	XAHC48F	21.0	550 - 650	1	600	19.7	13.7	15.50	21.65
AC19B24B21S	XAHC48F	21.0	650 - 950	2	800	23.6	17.1	—	13.00
AC19B24B21S	XAHC60G	21.0	550 - 650	1	600	19.9	14.0	15.50	22.05
AC19B24B21S	XAHC60G	21.0	650 - 950	2	800	23.6	17.6	—	13.00
AC19B24B21S	XAHD48F	24.5	550 - 650	1	600	19.7	13.7	15.50	21.65
AC19B24B21S	XAHD48F	24.5	650 - 950	2	800	23.6	17.1	—	13.00
AC19B24B21S	XAHD60G	21.0	550 - 650	1	600	19.9	14.0	15.50	22.05
AC19B24B21S	XAHD60G	21.0	650 - 950	2	800	23.6	17.6	—	13.00
AC19B36B21S	CF/CM/CU36B	17.5	800 - 1000	1	900	27.6	19.5	14.50	20.25
AC19B36B21S	CF/CM/CU36B	17.5	1000 - 1400	2	1200	34.4	25.0	—	12.75
AC19B36B21S	CF/CM/CU36C	21.0	550 - 1225	1	900	28.2	22.2	15.00	20.30
AC19B36B21S	CF/CM/CU36C	21.0	950 - 1450	2	1200	34.6	27.8	15.00	12.75
AC19B36B21S	CF/CM/CU42C	21.0	800 - 1000	1	900	28.6	21.6	15.00	20.80
AC19B36B21S	CF/CM/CU42C	21.0	1000 - 1400	2	1200	35.0	27.8	—	12.75
AC19B36B21S	CF/CM/CU48C	21.0	800 - 1000	1	900	28.8	22.0	15.00	20.95
AC19B36B21S	CF/CM/CU48C	21.0	1000 - 1400	2	1200	35.0	28.2	—	12.75
AC19B36B21S	CF/CM/CU48D	24.5	800 - 1000	1	900	29.0	22.0	15.00	20.80
AC19B36B21S	CF/CM/CU48D	24.5	1000 - 1400	2	1200	35.0	28.2	15.00	12.75
AC19B36B21S	CF/CM/CU60C	21.0	550 - 1225	1	900	28.8	21.8	15.25	20.95
AC19B36B21S	CF/CM/CU60C	21.0	950 - 1450	2	1200	35.6	27.4	15.25	13.00
AC19B36B21S	CF/CM/CU60D	24.5	800 - 1000	1	900	28.4	21.4	14.75	20.35
AC19B36B21S	CF/CM/CU60D	24.5	1000 - 1400	2	1200	35.2	26.6	14.75	12.75
AC19B36B21S	CF/CM36C	21.0	800 - 1000	1	900	28.2	22.2	15.00	20.30
AC19B36B21S	CF/CM36C	21.0	1000 - 1400	2	1200	34.6	27.8	—	12.75
AC19B36B21S	CF/CM42D	24.5	800 - 1000	1	900	28.8	21.8	15.00	20.60
AC19B36B21S	CF/CM42D	24.5	1000 - 1400	2	1200	35.0	28.0	15.00	12.75
AC19B36B21S	CF/CM48D	24.5	800 - 1000	1	900	28.0	19.9	14.75	20.65
AC19B36B21S	CF/CM48D	24.5	1000 - 1400	2	1200	34.8	25.4	—	12.75
AC19B36B21S	CF/CM60C	21.0	800 - 1000	1	900	28.8	21.8	15.25	20.95
AC19B36B21S	CF/CM60C	21.0	1000 - 1400	2	1200	35.6	27.4	—	13.00
AC19B36B21S	CF/CM60D	24.5	800 - 1000	1	900	27.8	19.7	14.75	20.45
AC19B36B21S	CF/CM60D	24.5	1000 - 1400	2	1200	34.8	25.2	—	12.75
AC19B36B21S	CF/CM64D	24.5	800 - 1000	1	900	29.2	20.0	15.50	21.30
AC19B36B21S	CF/CM64D	24.5	1000 - 1400	2	1200	35.8	25.8	—	13.50
AC19B36B21S	CF42B	17.5	800 - 1000	1	900	28.8	21.8	15.00	20.60
AC19B36B21S	CF42B	17.5	1000 - 1400	2	1200	35.0	28.0	15.00	12.75
AC19B36B21S	XAF/XAUB36D	17.5	800 - 1000	1	875	28.0	20.0	14.75	20.85
AC19B36B21S	XAF/XAUB36D	17.5	1000 - 1400	2	1150	34.6	25.2	—	12.75
AC19B36B21S	XAF/XAUC48F	21.0	800 - 1000	1	900	28.2	20.2	14.75	20.75
AC19B36B21S	XAF/XAUC48F	21.0	1000 - 1400	2	1200	34.8	25.4	—	12.75
AC19B36B21S	XAF/XAUC60G	21.0	800 - 1000	1	900	28.6	20.6	15.00	21.20
AC19B36B21S	XAF/XAUC60G	21.0	1000 - 1400	2	1200	35.0	26.0	—	13.00
AC19B36B21S	XAF/XAUD60G	24.5	800 - 1000	1	900	28.6	20.6	15.00	21.20

SYSTEM CAPACITY - Upflow, Downflow and Horizontal Furnaces and Coils (Coil Only Ratings) (Continued)

UNIT MODEL	COIL		CFM RANGE (MIN.-MAX.)	STAGE	COOLING				
	MODEL	WIDTH			RATED CFM	NET MBH		SEER ¹	EER
						TOTAL	SENS.		
AC19B36B21S	XAF/XAUD60G	24.5	1000 - 1400	2	1200	35.0	26.0	—	13.00
AC19B36B21S	XAFC36D	21.0	800 - 1000	1	875	28.0	20.0	14.75	20.85
AC19B36B21S	XAFC36D	21.0	1000 - 1400	2	1150	34.6	25.2	—	12.75
AC19B36B21S	XAFC60H	21.0	800 - 1000	1	900	28.6	20.8	15.25	21.35
AC19B36B21S	XAFC60H	21.0	1000 - 1400	2	1200	35.4	26.2	—	13.25
AC19B36B21S	XAFD48F	24.5	800 - 1000	1	900	28.2	20.2	14.75	20.75
AC19B36B21S	XAFD48F	24.5	1000 - 1400	2	1200	34.8	25.4	—	12.75
AC19B36B21S	XAHC36D	21.0	800 - 1000	1	875	28.0	20.0	14.75	20.85
AC19B36B21S	XAHC36D	21.0	1000 - 1400	2	1150	34.6	25.2	—	12.75
AC19B36B21S	XAHC48F	21.0	800 - 1000	1	900	28.2	20.2	14.75	20.75
AC19B36B21S	XAHC48F	21.0	1000 - 1400	2	1200	34.8	25.4	—	12.75
AC19B36B21S	XAHC60G	21.0	800 - 1000	1	900	28.6	20.6	15.00	21.20
AC19B36B21S	XAHC60G	21.0	1000 - 1400	2	1200	35.0	26.0	—	13.00
AC19B36B21S	XAHC60H	21.0	800 - 1000	1	900	28.6	20.8	15.25	21.35
AC19B36B21S	XAHC60H	21.0	1000 - 1400	2	1200	35.4	26.2	—	13.25
AC19B36B21S	XAHD48F	24.5	800 - 1000	1	900	28.2	20.2	14.75	20.75
AC19B36B21S	XAHD48F	24.5	1000 - 1400	2	1200	34.8	25.4	—	12.75
AC19B36B21S	XAHD60G	21.0	800 - 1000	1	900	28.6	20.6	15.00	21.20
AC19B36B21S	XAHD60G	21.0	1000 - 1400	2	1200	35.0	26.0	—	13.00
AC19B36B21S	XAHD60H	24.5	800 - 1000	1	900	28.6	20.8	15.25	21.35
AC19B36B21S	XAHD60H	24.5	1000 - 1400	2	1200	35.4	26.2	—	13.25
AC19B48B21S	CF/CM/CU48C	21.0	1000 - 1400	1	1200	39.5	30.0	14.75	21.00
AC19B48B21S	CF/CM/CU48C	21.0	1400 - 1800	2	1600	46.5	34.6	—	12.00
AC19B48B21S	CF/CM/CU60C	21.0	725 - 1400	1	1200	39.5	29.6	14.75	21.20
AC19B48B21S	CF/CM/CU60C	21.0	1325 - 1850	2	1600	48.0	37.4	14.75	12.50
AC19B48B21S	CF/CM48D	24.5	1000 - 1400	1	1200	39.5	27.0	14.75	21.15
AC19B48B21S	CF/CM48D	24.5	1400 - 1800	2	1600	46.5	34.4	—	12.00
AC19B48B21S	CF/CM60C	21.0	1000 - 1400	1	1200	39.5	29.6	14.75	21.20
AC19B48B21S	CF/CM60C	21.0	1400 - 1800	2	1600	48.0	37.4	—	12.50
AC19B48B21S	CF/CM60D	24.5	1000 - 1400	1	1200	39.5	26.8	14.75	21.15
AC19B48B21S	CF/CM60D	24.5	1400 - 1800	2	1600	48.0	34.0	—	12.50
AC19B48B21S	CF/CM64D	24.5	1000 - 1400	1	1200	40.0	27.3	15.50	21.55
AC19B48B21S	CF/CM64D	24.5	1400 - 1800	2	1600	48.0	33.9	—	13.00
AC19B48B21S	XAF/XAUC48F	21.0	1000 - 1400	1	1150	39.5	26.6	14.75	21.20
AC19B48B21S	XAF/XAUC48F	21.0	1400 - 1800	2	1525	46.5	33.2	—	12.00
AC19B48B21S	XAF/XAUC60G	21.0	1000 - 1400	1	1200	40.5	27.6	14.75	21.50
AC19B48B21S	XAF/XAUC60G	21.0	1400 - 1800	2	1600	47.5	34.0	—	12.50
AC19B48B21S	XAF/XAUD60G	24.5	1000 - 1400	1	1200	40.5	27.6	14.75	21.50
AC19B48B21S	XAF/XAUD60G	24.5	1400 - 1800	2	1600	47.5	34.0	—	12.50
AC19B48B21S	XAF/XAUD60H	24.5	1000 - 1400	1	1200	40.5	28.0	15.50	21.70
AC19B48B21S	XAF/XAUD60H	24.5	1400 - 1800	2	1600	47.5	34.4	—	12.75
AC19B48B21S	XAFC60H	21.0	1000 - 1400	1	1200	40.5	28.0	15.50	21.70
AC19B48B21S	XAFC60H	21.0	1400 - 1800	2	1600	47.5	34.4	—	12.75
AC19B48B21S	XAFD48F	24.5	1000 - 1400	1	1200	40.0	27.0	14.75	21.30
AC19B48B21S	XAFD48F	24.5	1400 - 1800	2	1600	46.5	33.6	—	12.00
AC19B48B21S	XAHC48F	21.0	1000 - 1400	1	1150	39.5	26.6	14.75	21.20
AC19B48B21S	XAHC48F	21.0	1400 - 1800	2	1525	46.5	33.2	—	12.00
AC19B48B21S	XAHC60G	21.0	1000 - 1400	1	1200	40.5	27.6	14.75	21.50
AC19B48B21S	XAHC60G	21.0	1400 - 1800	2	1600	47.5	34.0	—	12.50
AC19B48B21S	XAHC60H	21.0	1000 - 1400	1	1200	40.5	28.0	15.50	21.70
AC19B48B21S	XAHC60H	21.0	1400 - 1800	2	1600	47.5	34.4	—	12.75
AC19B48B21S	XAHD48F	24.5	1000 - 1400	1	1200	40.0	27.0	14.75	21.30

SYSTEM CAPACITY - Upflow, Downflow and Horizontal Furnaces and Coils (Coil Only Ratings) (Continued)

UNIT MODEL	COIL		CFM RANGE (MIN.-MAX.)	STAGE	COOLING				
	MODEL	WIDTH			RATED CFM	NET MBH		SEER ¹	EER
						TOTAL	SENS.		
AC19B48B21S	XAHD48F	24.5	1400 - 1800	2	1600	46.5	33.6	—	12.00
AC19B48B21S	XAHD60G	21.0	1000 - 1400	1	1200	40.5	27.6	14.75	21.50
AC19B48B21S	XAHD60G	21.0	1400 - 1800	2	1600	47.5	34.0	—	12.50
AC19B48B21S	XAHD60H	24.5	1000 - 1400	1	1200	40.5	28.0	15.50	21.70
AC19B48B21S	XAHD60H	24.5	1400 - 1800	2	1600	47.5	34.4	—	12.75
AC19B48B21S	XAHD60J	24.5	1000 - 1400	1	1175	40.5	27.6	15.50	21.65
AC19B48B21S	XAHD60J	24.5	1400 - 1800	2	1575	48.0	35.0	—	12.75
AC19B60B21S	CF/CM/CU60D	24.5	1450 - 1800	1	1325	46.0	33.6	14.50	19.95
AC19B60B21S	CF/CM/CU60D	24.5	975 - 1450	2	1750	58.0	43.5	14.50	12.00
AC19B60B21S	CF/CM60C	21.0	1150 - 1550	1	1300	46.0	31.2	14.25	19.90
AC19B60B21S	CF/CM60C	21.0	1150 - 1550	2	1725	55.5	39.5	—	11.75
AC19B60B21S	CF/CM60D	24.5	1150 - 1550	1	1325	46.0	33.6	14.50	19.95
AC19B60B21S	CF/CM60D	24.5	1150 - 1550	2	1750	58.0	43.5	—	12.00
AC19B60B21S	CF/CM64D	24.5	1150 - 1550	1	1300	47.0	31.4	15.00	20.30
AC19B60B21S	CF/CM64D	24.5	1150 - 1550	2	1750	58.0	40.0	—	12.50
AC19B60B21S	XAF/XAUC60G	21.0	1150 - 1550	1	1300	47.0	32.0	14.25	20.20
AC19B60B21S	XAF/XAUC60G	21.0	1150 - 1550	2	1725	55.0	39.5	—	11.75
AC19B60B21S	XAF/XAUD60G	24.5	1150 - 1550	1	1325	47.0	32.2	14.25	20.20
AC19B60B21S	XAF/XAUD60G	24.5	1150 - 1550	2	1750	55.5	40.0	—	11.75
AC19B60B21S	XAF/XAUD60H	24.5	1150 - 1550	1	1325	47.0	32.4	14.50	20.30
AC19B60B21S	XAF/XAUD60H	24.5	1150 - 1550	2	1750	56.5	40.5	—	12.00
AC19B60B21S	XAFC60H	21.0	1150 - 1550	1	1325	47.0	32.4	14.50	20.30
AC19B60B21S	XAFC60H	21.0	1150 - 1550	2	1750	56.5	40.5	—	12.00
AC19B60B21S	XAHC60G	21.0	1150 - 1550	1	1300	47.0	32.0	14.25	20.20
AC19B60B21S	XAHC60G	21.0	1150 - 1550	2	1725	55.0	39.5	—	11.75
AC19B60B21S	XAHC60H	21.0	1150 - 1550	1	1325	47.0	32.4	14.50	20.30
AC19B60B21S	XAHC60H	21.0	1150 - 1550	2	1750	56.5	40.5	—	12.00
AC19B60B21S	XAHD60G	21.0	1150 - 1550	1	1200	46.0	30.8	14.25	20.20
AC19B60B21S	XAHD60G	21.0	1150 - 1550	2	1600	54.5	38.5	—	11.75
AC19B60B21S	XAHD60H	24.5	1150 - 1550	1	1275	47.0	32.2	14.50	20.30
AC19B60B21S	XAHD60H	24.5	1150 - 1550	2	1700	56.5	40.0	—	12.00
AC19B60B21S	XAHD60J	24.5	1150 - 1550	1	1175	46.5	30.8	14.50	20.30
AC19B60B21S	XAHD60J	24.5	1150 - 1550	2	1575	56.5	39.0	—	12.00

For rated condition information, see the footnotes below the System Capacity table.

1. Requires a blower time delay unless a standard furnace is equipped with one.

— = Not Applicable.

Modular air handlers use coil only ratings.

PSC furnaces use coil only ratings.

SYSTEM CAPACITY - With High Efficiency Motor Furnaces¹

UNIT MODEL	FURNACE MODEL	WIDTH	COIL MODEL ²	STAGE	COOLING				
					RATED CFM	NET MBH		SEER	EER
						TOTAL	SENS.		
AC19B24B21	TM9E026A08MP12	14.5	CF/CM/CU24A	1	525	19.3	14.0	16.75	25.15
AC19B24B21	TM9E026A08MP12	14.5	CF/CM/CU24A	2	675	22.4	17.1	16.75	13.75
AC19B24B21	TM9E026A08MP12	14.5	CF/CM/CU24B	1	525	19.3	14.0	16.75	25.20
AC19B24B21	TM9E026A08MP12	14.5	CF/CM/CU24B	2	700	22.6	17.5	16.75	13.75
AC19B24B21	TM9E026A08MP12	14.5	CF/CM/CU30A	1	525	19.4	14.1	17.25	25.40
AC19B24B21	TM9E026A08MP12	14.5	CF/CM/CU30A	2	675	23.0	17.4	17.25	14.00
AC19B24B21	TM9E026A08MP12	14.5	CF/CM/CU30B	1	700	20.2	16.2	17.00	24.55
AC19B24B21	TM9E026A08MP12	14.5	CF/CM/CU30B	2	875	24.0	19.5	17.00	13.50
AC19B24B21	TM9E026A08MP12	14.5	CF/CM/CU36B	1	600	19.9	15.3	17.50	25.20
AC19B24B21	TM9E026A08MP12	14.5	CF/CM/CU36B	2	700	23.6	18.0	17.50	14.25
AC19B24B21	TM9E026A08MP12	14.5	CF/CM36A	1	700	20.4	16.4	17.00	24.55
AC19B24B21	TM9E026A08MP12	14.5	CF/CM36A	2	850	24.0	19.4	17.00	13.50
AC19B24B21	TM9E026A08MP12	14.5	CF42B	1	700	20.4	16.3	17.25	24.95
AC19B24B21	TM9E026A08MP12	14.5	CF42B	2	875	24.0	19.7	17.25	13.75
AC19B24B21S	TL8E060A12UH11	14.5	CF/CM/CU24B	1	700	20.2	16.3	17.50	26.30
AC19B24B21S	TL8E060A12UH11	14.5	CF/CM/CU24B	2	875	23.2	19.3	17.50	14.00
AC19B24B21S	TL8E060A12UH11	14.5	CF/CM/CU30B	1	675	20.4	16.1	18.00	26.45
AC19B24B21S	TL8E060A12UH11	14.5	CF/CM/CU30B	2	875	23.6	19.1	18.00	14.50
AC19B24B21S	TL8E060A12UH11	14.5	CF/CM/CU36B	1	700	20.4	16.7	18.25	26.85
AC19B24B21S	TL8E060A12UH11	14.5	CF/CM/CU36B	2	875	23.8	19.3	18.25	14.75
AC19B24B21S	TL8E060A12UH11	14.5	CF42B	1	675	20.6	16.3	18.50	27.00
AC19B24B21S	TL8E060A12UH11	14.5	CF42B	2	875	23.8	19.3	18.50	14.75
AC19B24B21S	TL8E060A12UH11	17.5	XAF/XAUB36D	1	675	20.6	14.6	18.00	26.65
AC19B24B21S	TL8E060A12UH11	17.5	XAF/XAUB36D	2	850	23.8	17.9	—	14.25
AC19B24B21S	TL8E060A12UH11	14.5	XAFA30D	1	625	20.4	14.2	17.75	26.20
AC19B24B21S	TL8E060A12UH11	14.5	XAFA30D	2	825	23.8	17.5	—	14.25
AC19B24B21S	TL8E060A12UH11	17.5	XAHB36D	1	650	20.4	14.3	17.75	26.40
AC19B24B21S	TL8E060A12UH11	17.5	XAHB36D	2	825	23.8	17.6	—	14.25
AC19B24B21S	TL9E060B12UH11	17.5	CF/CM/CU24B	1	675	20.0	16.0	17.25	25.75
AC19B24B21S	TL9E060B12UH11	17.5	CF/CM/CU24B	2	850	23.0	18.8	17.25	14.00
AC19B24B21S	TL9E060B12UH11	17.5	CF/CM/CU30B	1	675	20.2	15.9	17.75	26.20
AC19B24B21S	TL9E060B12UH11	17.5	CF/CM/CU30B	2	875	23.6	19.1	17.75	14.00
AC19B24B21S	TL9E060B12UH11	17.5	CF/CM/CU36B	1	675	20.4	16.0	18.00	26.50
AC19B24B21S	TL9E060B12UH11	17.5	CF/CM/CU36B	2	850	23.8	19.1	18.00	14.50
AC19B24B21S	TL9E060B12UH11	17.5	CF/CM/CU36C	1	675	20.4	16.0	18.00	26.55
AC19B24B21S	TL9E060B12UH11	17.5	CF/CM/CU36C	2	875	23.8	19.3	18.00	14.50
AC19B24B21S	TL9E060B12UH11	17.5	CF/CM/CU42C	1	675	20.6	16.3	18.25	26.80
AC19B24B21S	TL9E060B12UH11	17.5	CF/CM/CU42C	2	875	23.8	19.3	18.25	14.50
AC19B24B21S	TL9E060B12UH11	17.5	CF/CM/CU48C	1	675	20.6	16.2	18.50	27.00
AC19B24B21S	TL9E060B12UH11	17.5	CF/CM/CU48C	2	875	23.8	19.3	18.50	14.75
AC19B24B21S	TL9E060B12UH11	17.5	CF/CM/CU60C	1	675	20.2	15.5	18.00	26.30
AC19B24B21S	TL9E060B12UH11	17.5	CF/CM/CU60C	2	875	23.8	18.2	18.00	14.50
AC19B24B21S	TL9E060B12UH11	17.5	CF/CM24C	1	675	20.0	16.0	17.25	25.85
AC19B24B21S	TL9E060B12UH11	17.5	CF/CM24C	2	875	23.2	19.3	17.25	14.00
AC19B24B21S	TL9E060B12UH11	17.5	CF/CM30C	1	675	20.4	16.1	17.75	26.25
AC19B24B21S	TL9E060B12UH11	17.5	CF/CM30C	2	875	23.6	19.1	17.75	14.00
AC19B24B21S	TL9E060B12UH11	17.5	CF42B	1	675	20.6	16.3	18.25	26.70
AC19B24B21S	TL9E060B12UH11	17.5	CF42B	2	850	23.8	19.3	18.25	14.25
AC19B24B21S	TL9E060B12UH11	17.5	XAF/XAUB36D	1	650	20.4	14.4	17.75	25.95
AC19B24B21S	TL9E060B12UH11	17.5	XAF/XAUB36D	2	850	23.8	17.7	—	14.00

SYSTEM CAPACITY - With High Efficiency Motor Furnaces¹ (Continued)

UNIT MODEL	FURNACE MODEL	WIDTH	COIL MODEL ²	STAGE	COOLING				
					RATED CFM	NET MBH		SEER	EER
						TOTAL	SENS.		
AC19B24B21S	TL9E060B12UH11	21.0	XAF/XAUC48F	1	675	20.6	14.5	17.75	26.30
AC19B24B21S	TL9E060B12UH11	21.0	XAF/XAUC48F	2	850	23.8	17.6	—	14.00
AC19B24B21S	TL9E060B12UH11	21.0	XAF/XAUC60G	1	700	21.0	15.1	18.00	26.95
AC19B24B21S	TL9E060B12UH11	21.0	XAF/XAUC60G	2	875	24.0	17.7	—	14.25
AC19B24B21S	TL9E060B12UH11	21.0	XAFC36D	1	675	20.6	14.7	17.75	26.25
AC19B24B21S	TL9E060B12UH11	21.0	XAFC36D	2	850	23.8	17.8	—	14.00
AC19B24B21S	TL9E060B12UH11	17.5	XAHB36D	1	625	20.4	14.2	17.50	25.75
AC19B24B21S	TL9E060B12UH11	17.5	XAHB36D	2	825	23.8	17.5	—	14.00
AC19B24B21S	TL9E060B12UH11	21.0	XAHC36D	1	650	20.4	14.4	17.75	25.95
AC19B24B21S	TL9E060B12UH11	21.0	XAHC36D	2	850	23.8	17.8	—	14.00
AC19B24B21S	TL9E060B12UH11	21.0	XAHC48F	1	700	20.6	14.6	18.00	26.55
AC19B24B21S	TL9E060B12UH11	21.0	XAHC48F	2	875	23.8	17.9	—	14.25
AC19B24B21S	TL9E060B12UH11	21.0	XAHC60G	1	725	21.0	15.2	18.00	27.30
AC19B24B21S	TL9E060B12UH11	21.0	XAHC60G	2	900	24.0	17.8	—	14.50
AC19B24B21S	TM8E040A12MP11	14.5	CF/CM/CU24A	1	675	20.2	16.1	17.25	25.90
AC19B24B21S	TM8E040A12MP11	14.5	CF/CM/CU24A	2	825	23.0	18.5	17.25	14.00
AC19B24B21S	TM8E040A12MP11	14.5	CF/CM/CU24B	1	725	20.4	16.8	17.50	26.20
AC19B24B21S	TM8E040A12MP11	14.5	CF/CM/CU24B	2	875	23.2	19.3	17.50	14.00
AC19B24B21S	TM8E040A12MP11	14.5	CF/CM/CU30A	1	650	20.2	15.8	17.75	26.15
AC19B24B21S	TM8E040A12MP11	14.5	CF/CM/CU30A	2	725	23.4	17.8	17.75	14.00
AC19B24B21S	TM8E040A12MP11	14.5	CF/CM/CU30B	1	725	20.6	16.8	18.00	26.60
AC19B24B21S	TM8E040A12MP11	14.5	CF/CM/CU30B	2	875	23.6	19.1	18.00	14.50
AC19B24B21S	TM8E040A12MP11	14.5	CF/CM/CU36B	1	725	20.8	16.7	18.25	27.05
AC19B24B21S	TM8E040A12MP11	14.5	CF/CM/CU36B	2	875	23.8	19.3	18.25	14.50
AC19B24B21S	TM8E040A12MP11	14.5	CF/CM36A	1	700	20.6	16.7	18.25	26.80
AC19B24B21S	TM8E040A12MP11	14.5	CF/CM36A	2	825	23.8	18.9	18.25	14.50
AC19B24B21S	TM8E040A12MP11	14.5	CF42B	1	725	20.8	16.8	18.50	27.20
AC19B24B21S	TM8E040A12MP11	14.5	CF42B	2	875	23.8	19.3	18.50	14.50
AC19B24B21S	TM8E040A12MP11	17.5	XAF/XAUB36D	1	725	20.8	15.0	18.00	26.80
AC19B24B21S	TM8E040A12MP11	17.5	XAF/XAUB36D	2	875	23.8	18.0	—	14.50
AC19B24B21S	TM8E040A12MP11	14.5	XAFA30D	1	650	20.4	14.4	17.75	26.20
AC19B24B21S	TM8E040A12MP11	14.5	XAFA30D	2	825	23.8	17.5	—	14.25
AC19B24B21S	TM8E040A12MP11	17.5	XAHB36D	1	675	20.6	14.6	18.00	26.45
AC19B24B21S	TM8E040A12MP11	17.5	XAHB36D	2	825	23.8	17.6	—	14.25
AC19B24B21S	TM8E060A12MP11	14.5	CF/CM/CU24B	1	775	20.4	17.4	17.25	25.75
AC19B24B21S	TM8E060A12MP11	14.5	CF/CM/CU24B	2	875	23.2	19.3	17.25	14.00
AC19B24B21S	TM8E060A12MP11	14.5	CF/CM/CU30B	1	775	20.6	17.3	17.75	26.15
AC19B24B21S	TM8E060A12MP11	14.5	CF/CM/CU30B	2	900	23.6	19.4	17.75	14.00
AC19B24B21S	TM8E060A12MP11	14.5	CF/CM/CU36B	1	775	20.8	17.4	18.25	26.55
AC19B24B21S	TM8E060A12MP11	14.5	CF/CM/CU36B	2	900	23.8	19.7	18.25	14.50
AC19B24B21S	TM8E060A12MP11	14.5	CF/CM36A	1	750	20.6	17.0	18.00	26.15
AC19B24B21S	TM8E060A12MP11	14.5	CF/CM36A	2	850	23.8	19.1	18.00	14.50
AC19B24B21S	TM8E060A12MP11	14.5	CF42B	1	775	21.0	17.5	18.25	26.80
AC19B24B21S	TM8E060A12MP11	14.5	CF42B	2	875	23.8	19.3	18.25	14.50
AC19B24B21S	TM8E060A12MP11	17.5	XAF/XAUB36D	1	775	21.0	15.5	17.75	26.30
AC19B24B21S	TM8E060A12MP11	17.5	XAF/XAUB36D	2	875	23.8	18.0	—	14.25
AC19B24B21S	TM8E060A12MP11	14.5	XAFA30D	1	725	20.8	15.1	17.50	25.75
AC19B24B21S	TM8E060A12MP11	14.5	XAFA30D	2	825	23.8	17.5	—	14.25
AC19B24B21S	TM8E060A12MP11	17.5	XAHB36D	1	725	20.8	15.1	17.50	25.80
AC19B24B21S	TM8E060A12MP11	17.5	XAHB36D	2	850	23.8	17.9	—	14.25
AC19B24B21S	TM8E080B12MP11	17.5	CF/CM/CU24B	1	750	20.4	17.1	17.25	25.85

SYSTEM CAPACITY - With High Efficiency Motor Furnaces¹ (Continued)

UNIT MODEL	FURNACE MODEL	WIDTH	COIL MODEL ²	STAGE	COOLING				
					RATED CFM	NET MBH		SEER	EER
						TOTAL	SENS.		
AC19B24B21S	TM8E080B12MP11	17.5	CF/CM/CU24B	2	900	22.6	18.0	17.25	13.75
AC19B24B21S	TM8E080B12MP11	17.5	CF/CM/CU30B	1	775	20.6	17.3	17.75	26.35
AC19B24B21S	TM8E080B12MP11	17.5	CF/CM/CU30B	2	900	23.6	19.4	17.75	14.00
AC19B24B21S	TM8E080B12MP11	17.5	CF/CM/CU36B	1	775	20.8	17.4	18.25	26.75
AC19B24B21S	TM8E080B12MP11	17.5	CF/CM/CU36B	2	900	23.8	19.7	18.25	14.50
AC19B24B21S	TM8E080B12MP11	17.5	CF/CM/CU36C	1	800	21.0	17.6	18.50	27.15
AC19B24B21S	TM8E080B12MP11	17.5	CF/CM/CU36C	2	925	23.8	19.9	18.50	14.50
AC19B24B21S	TM8E080B12MP11	17.5	CF/CM/CU42C	1	800	21.0	17.7	18.50	27.20
AC19B24B21S	TM8E080B12MP11	17.5	CF/CM/CU42C	2	925	23.8	19.9	18.50	14.50
AC19B24B21S	TM8E080B12MP11	17.5	CF/CM/CU48C	1	800	21.2	17.7	18.50	27.45
AC19B24B21S	TM8E080B12MP11	17.5	CF/CM/CU48C	2	925	23.8	19.9	18.50	14.75
AC19B24B21S	TM8E080B12MP11	17.5	CF/CM/CU60C	1	800	20.8	16.7	18.25	26.80
AC19B24B21S	TM8E080B12MP11	17.5	CF/CM/CU60C	2	925	23.8	19.3	18.25	14.50
AC19B24B21S	TM8E080B12MP11	17.5	CF/CM24C	1	775	20.6	16.9	17.25	26.30
AC19B24B21S	TM8E080B12MP11	17.5	CF/CM24C	2	925	22.8	18.2	17.25	13.75
AC19B24B21S	TM8E080B12MP11	17.5	CF/CM30C	1	775	20.6	17.3	18.00	26.35
AC19B24B21S	TM8E080B12MP11	17.5	CF/CM30C	2	925	23.6	19.6	18.00	14.50
AC19B24B21S	TM8E080B12MP11	17.5	CF/CM50C	1	775	20.8	17.5	18.50	27.00
AC19B24B21S	TM8E080B12MP11	17.5	CF/CM50C	2	925	24.6	20.8	18.50	14.75
AC19B24B21S	TM8E080B12MP11	17.5	CF42B	1	750	20.8	16.9	18.25	26.80
AC19B24B21S	TM8E080B12MP11	17.5	CF42B	2	900	23.8	19.5	18.25	14.75
AC19B24B21S	TM8E080B12MP11	17.5	XAF/XAUB36D	1	750	21.0	15.4	17.75	26.35
AC19B24B21S	TM8E080B12MP11	17.5	XAF/XAUB36D	2	875	23.8	17.8	—	14.25
AC19B24B21S	TM8E080B12MP11	21.0	XAF/XAUC48F	1	775	21.0	15.4	18.00	26.55
AC19B24B21S	TM8E080B12MP11	21.0	XAF/XAUC48F	2	900	23.8	18.2	—	14.25
AC19B24B21S	TM8E080B12MP11	21.0	XAF/XAUC60G	1	775	21.2	15.7	18.25	27.05
AC19B24B21S	TM8E080B12MP11	21.0	XAF/XAUC60G	2	925	24.0	17.9	—	14.50
AC19B24B21S	TM8E080B12MP11	21.0	XAFC36D	1	750	21.0	15.4	18.00	26.35
AC19B24B21S	TM8E080B12MP11	21.0	XAFC36D	2	900	23.8	18.4	—	14.25
AC19B24B21S	TM8E080B12MP11	17.5	XAHB36D	1	725	20.8	15.1	17.75	26.05
AC19B24B21S	TM8E080B12MP11	17.5	XAHB36D	2	850	23.8	17.6	—	14.00
AC19B24B21S	TM8E080B12MP11	21.0	XAHC36D	1	750	21.0	15.4	17.75	26.30
AC19B24B21S	TM8E080B12MP11	21.0	XAHC36D	2	875	23.8	18.1	—	14.25
AC19B24B21S	TM8E080B12MP11	21.0	XAHC48F	1	800	21.0	15.5	18.25	26.80
AC19B24B21S	TM8E080B12MP11	21.0	XAHC48F	2	925	23.8	18.3	—	14.50
AC19B24B21S	TM8E080B12MP11	21.0	XAHC60G	1	825	21.4	16.2	18.25	27.35
AC19B24B21S	TM8E080B12MP11	21.0	XAHC60G	2	950	24.0	18.1	—	14.50
AC19B24B21S	TM8E080C16MP11	21.0	CF/CM50C	1	825	21.0	18.2	18.50	27.20
AC19B24B21S	TM8E080C16MP11	21.0	CF/CM50C	2	950	24.8	21.2	18.50	15.00
AC19B24B21S	TM8E080C16MP11	21.0	XAF/XAUC48F	1	825	21.2	15.8	18.00	26.75
AC19B24B21S	TM8E080C16MP11	21.0	XAF/XAUC48F	2	950	24.0	18.6	—	14.50
AC19B24B21S	TM8E080C16MP11	24.5	XAF/XAUD60G	1	825	21.4	16.2	18.50	27.15
AC19B24B21S	TM8E080C16MP11	24.5	XAF/XAUD60G	2	950	24.0	18.0	—	14.75
AC19B24B21S	TM8E080C16MP11	21.0	XAFC36D	1	800	21.0	15.7	18.00	26.55
AC19B24B21S	TM8E080C16MP11	21.0	XAFC36D	2	925	23.8	18.0	—	14.50
AC19B24B21S	TM8E080C16MP11	24.5	XAFD48F	1	825	21.2	15.8	18.00	26.75
AC19B24B21S	TM8E080C16MP11	24.5	XAFD48F	2	950	24.0	17.9	—	14.50
AC19B24B21S	TM8E080C16MP11	21.0	XAHC36D	1	800	21.0	15.7	18.00	26.45
AC19B24B21S	TM8E080C16MP11	21.0	XAHC36D	2	900	23.8	17.9	—	14.50
AC19B24B21S	TM8E080C16MP11	24.5	XAHD48F	1	825	21.2	15.8	18.00	26.75
AC19B24B21S	TM8E080C16MP11	24.5	XAHD48F	2	950	24.0	17.9	—	14.50

SYSTEM CAPACITY - With High Efficiency Motor Furnaces¹ (Continued)

UNIT MODEL	FURNACE MODEL	WIDTH	COIL MODEL ²	STAGE	COOLING				
					RATED CFM	NET MBH		SEER	EER
						TOTAL	SENS.		
AC19B24B21S	TM8E080C16MP11	21.0	XAHD60G	1	825	21.4	16.2	18.25	27.10
AC19B24B21S	TM8E080C16MP11	21.0	XAHD60G	2	950	24.0	19.0	—	14.75
AC19B24B21S	TM8E100B12MP11	17.5	CF/CM/CU24B	1	725	20.4	16.8	17.25	26.10
AC19B24B21S	TM8E100B12MP11	17.5	CF/CM/CU24B	2	825	23.2	18.7	17.25	14.00
AC19B24B21S	TM8E100B12MP11	17.5	CF/CM/CU30B	1	750	20.8	17.0	18.00	26.85
AC19B24B21S	TM8E100B12MP11	17.5	CF/CM/CU30B	2	925	23.6	19.6	18.00	14.50
AC19B24B21S	TM8E100B12MP11	17.5	CF/CM/CU36B	1	750	20.8	17.2	18.50	26.95
AC19B24B21S	TM8E100B12MP11	17.5	CF/CM/CU36B	2	925	23.8	19.9	18.50	14.75
AC19B24B21S	TM8E100B12MP11	17.5	CF/CM/CU36C	1	750	20.8	17.2	18.50	27.00
AC19B24B21S	TM8E100B12MP11	17.5	CF/CM/CU36C	2	850	23.8	19.2	18.50	14.75
AC19B24B21S	TM8E100B12MP11	17.5	CF/CM/CU42C	1	750	21.0	17.1	18.50	27.35
AC19B24B21S	TM8E100B12MP11	17.5	CF/CM/CU42C	2	950	23.8	20.0	18.50	14.75
AC19B24B21S	TM8E100B12MP11	17.5	CF/CM/CU48C	1	750	21.0	17.1	18.50	27.60
AC19B24B21S	TM8E100B12MP11	17.5	CF/CM/CU48C	2	875	23.8	19.3	18.50	15.00
AC19B24B21S	TM8E100B12MP11	17.5	CF/CM/CU60C	1	750	20.6	16.5	18.25	26.90
AC19B24B21S	TM8E100B12MP11	17.5	CF/CM/CU60C	2	850	23.8	18.6	18.25	14.75
AC19B24B21S	TM8E100B12MP11	17.5	CF/CM24C	1	750	20.4	17.1	17.50	26.30
AC19B24B21S	TM8E100B12MP11	17.5	CF/CM24C	2	850	23.2	19.0	17.50	14.00
AC19B24B21S	TM8E100B12MP11	17.5	CF/CM30C	1	750	20.8	17.0	18.00	26.90
AC19B24B21S	TM8E100B12MP11	17.5	CF/CM30C	2	850	23.6	19.2	18.00	14.50
AC19B24B21S	TM8E100B12MP11	17.5	CF/CM50C	1	750	20.8	17.2	18.75	27.35
AC19B24B21S	TM8E100B12MP11	17.5	CF/CM50C	2	925	24.6	20.8	18.75	14.75
AC19B24B21S	TM8E100B12MP11	17.5	CF42B	1	725	20.8	16.8	18.50	27.05
AC19B24B21S	TM8E100B12MP11	17.5	CF42B	2	825	23.8	19.0	18.50	14.75
AC19B24B21S	TM8E100B12MP11	17.5	XAF/XAUB36D	1	725	20.8	15.1	18.00	26.50
AC19B24B21S	TM8E100B12MP11	17.5	XAF/XAUB36D	2	825	23.8	17.4	—	14.50
AC19B24B21S	TM8E100B12MP11	21.0	XAF/XAUC48F	1	750	21.0	15.2	18.00	26.80
AC19B24B21S	TM8E100B12MP11	21.0	XAF/XAUC48F	2	925	23.8	18.3	—	14.50
AC19B24B21S	TM8E100B12MP11	21.0	XAF/XAUC60G	1	750	21.2	15.5	18.25	27.25
AC19B24B21S	TM8E100B12MP11	21.0	XAF/XAUC60G	2	850	24.0	17.4	—	14.75
AC19B24B21S	TM8E100B12MP11	21.0	XAFC36D	1	725	20.8	15.1	18.00	26.55
AC19B24B21S	TM8E100B12MP11	21.0	XAFC36D	2	900	23.8	18.4	—	14.25
AC19B24B21S	TM8E100B12MP11	17.5	XAHB36D	1	700	20.6	14.8	17.75	26.20
AC19B24B21S	TM8E100B12MP11	17.5	XAHB36D	2	875	23.8	17.8	—	14.25
AC19B24B21S	TM8E100B12MP11	21.0	XAHC36D	1	725	20.8	15.1	18.00	26.50
AC19B24B21S	TM8E100B12MP11	21.0	XAHC36D	2	900	23.8	18.4	—	14.25
AC19B24B21S	TM8E100B12MP11	21.0	XAHC48F	1	775	21.0	15.3	18.25	27.05
AC19B24B21S	TM8E100B12MP11	21.0	XAHC48F	2	925	23.8	18.3	—	14.50
AC19B24B21S	TM8E100B12MP11	21.0	XAHC60G	1	800	21.4	16.0	18.50	27.75
AC19B24B21S	TM8E100B12MP11	21.0	XAHC60G	2	950	24.0	18.1	—	14.75
AC19B24B21S	TM8E100C16MP11	21.0	CF/CM/CU36C	1	825	21.0	18.1	18.50	27.15
AC19B24B21S	TM8E100C16MP11	21.0	CF/CM/CU36C	2	950	23.8	20.2	18.50	15.00
AC19B24B21S	TM8E100C16MP11	21.0	CF/CM24C	1	825	20.6	18.1	18.00	26.25
AC19B24B21S	TM8E100C16MP11	21.0	CF/CM24C	2	950	23.6	19.1	18.00	14.25
AC19B24B21S	TM8E100C16MP11	21.0	CF/CM30C	1	825	21.0	18.1	18.25	27.05
AC19B24B21S	TM8E100C16MP11	21.0	CF/CM30C	2	950	23.6	19.8	18.25	14.75
AC19B24B21S	TM8E100C16MP11	21.0	CF/CM50C	1	800	21.0	18.0	18.50	27.30
AC19B24B21S	TM8E100C16MP11	21.0	CF/CM50C	2	950	24.8	21.2	18.50	15.00
AC19B24B21S	TM8E100C16MP11	21.0	XAF/XAUC48F	1	800	21.0	15.5	18.25	26.75
AC19B24B21S	TM8E100C16MP11	21.0	XAF/XAUC48F	2	925	23.8	17.9	—	14.50
AC19B24B21S	TM8E100C16MP11	21.0	XAF/XAUC60G	1	825	21.4	16.2	18.50	27.40

SYSTEM CAPACITY - With High Efficiency Motor Furnaces¹ (Continued)

UNIT MODEL	FURNACE MODEL	WIDTH	COIL MODEL ²	STAGE	COOLING				
					RATED CFM	NET MBH		SEER	EER
						TOTAL	SENS.		
AC19B24B21S	TM8E100C16MP11	21.0	XAF/XAUC60G	2	950	24.0	18.9	—	14.75
AC19B24B21S	TM8E100C16MP11	24.5	XAF/XAUD60G	1	825	21.4	16.2	18.50	27.35
AC19B24B21S	TM8E100C16MP11	24.5	XAF/XAUD60G	2	950	24.0	18.0	—	14.75
AC19B24B21S	TM8E100C16MP11	21.0	XAFC36D	1	800	21.2	15.8	18.00	26.70
AC19B24B21S	TM8E100C16MP11	21.0	XAFC36D	2	925	23.8	18.0	—	14.50
AC19B24B21S	TM8E100C16MP11	24.5	XAFD48F	1	800	21.0	15.5	18.25	26.75
AC19B24B21S	TM8E100C16MP11	24.5	XAFD48F	2	925	23.8	18.3	—	14.50
AC19B24B21S	TM8E100C16MP11	21.0	XAHC36D	1	775	21.0	15.5	18.00	26.50
AC19B24B21S	TM8E100C16MP11	21.0	XAHC36D	2	900	23.8	17.9	—	14.50
AC19B24B21S	TM8E100C16MP11	21.0	XAHC48F	1	825	21.2	15.8	18.25	27.10
AC19B24B21S	TM8E100C16MP11	21.0	XAHC48F	2	950	24.0	18.6	—	14.75
AC19B24B21S	TM8E100C16MP11	24.5	XAHD48F	1	800	21.0	15.5	18.25	26.75
AC19B24B21S	TM8E100C16MP11	24.5	XAHD48F	2	925	23.8	18.3	—	14.50
AC19B24B21S	TM8E100C16MP11	21.0	XAHD60G	1	800	21.2	15.9	18.50	27.15
AC19B24B21S	TM8E100C16MP11	21.0	XAHD60G	2	925	24.0	18.8	—	14.75
AC19B24B21S	TM8E120C16MP11	21.0	CF/CM50C	1	825	21.0	18.2	18.75	27.35
AC19B24B21S	TM8E120C16MP11	21.0	CF/CM50C	2	950	24.8	21.2	18.75	15.00
AC19B24B21S	TM8E120C16MP11	21.0	XAF/XAUC48F	1	825	21.2	15.8	18.25	26.90
AC19B24B21S	TM8E120C16MP11	21.0	XAF/XAUC48F	2	950	24.0	18.6	—	14.75
AC19B24B21S	TM8E120C16MP11	24.5	XAF/XAUD60G	1	825	21.4	16.2	18.50	27.30
AC19B24B21S	TM8E120C16MP11	24.5	XAF/XAUD60G	2	950	24.0	18.0	—	14.75
AC19B24B21S	TM8E120C16MP11	21.0	XAFC36D	1	800	21.2	15.8	18.00	26.70
AC19B24B21S	TM8E120C16MP11	21.0	XAFC36D	2	925	23.8	18.0	—	14.50
AC19B24B21S	TM8E120C16MP11	24.5	XAFD48F	1	825	21.2	15.8	18.25	26.90
AC19B24B21S	TM8E120C16MP11	24.5	XAFD48F	2	950	24.0	17.8	—	14.75
AC19B24B21S	TM8E120C16MP11	21.0	XAHC36D	1	775	21.0	15.5	18.00	26.50
AC19B24B21S	TM8E120C16MP11	21.0	XAHC36D	2	900	23.8	17.9	—	14.50
AC19B24B21S	TM8E120C16MP11	24.5	XAHD48F	1	825	21.2	15.8	18.25	26.90
AC19B24B21S	TM8E120C16MP11	24.5	XAHD48F	2	950	24.0	17.8	—	14.75
AC19B24B21S	TM8E120C16MP11	21.0	XAHD60G	1	825	21.4	16.2	18.50	27.25
AC19B24B21S	TM8E120C16MP11	21.0	XAHD60G	2	950	24.0	19.0	—	14.75
AC19B24B21S	TM8V060A12MP11C	14.5	CF/CM/CU24A	1	550	19.5	14.5	17.25	26.00
AC19B24B21S	TM8V060A12MP11C	14.5	CF/CM/CU24A	2	725	22.8	17.5	17.25	14.25
AC19B24B21S	TM8V060A12MP11C	14.5	CF/CM/CU30A	1	625	20.2	15.5	17.75	26.45
AC19B24B21S	TM8V060A12MP11C	14.5	CF/CM/CU30A	2	875	23.6	19.2	17.75	14.00
AC19B24B21S	TM8V060A12MP11C	14.5	CF/CM36A	1	575	19.9	15.2	18.00	26.60
AC19B24B21S	TM8V060A12MP11C	14.5	CF/CM36A	2	800	23.8	18.7	18.00	14.50
AC19B24B21S	TM8V080B12MP11C	17.5	CF/CM/CU24B	1	550	19.5	14.4	17.25	25.85
AC19B24B21S	TM8V080B12MP11C	17.5	CF/CM/CU24B	2	825	23.0	18.5	17.25	14.00
AC19B24B21S	TM8V080B12MP11C	17.5	CF/CM/CU30B	1	550	19.7	14.4	17.75	26.35
AC19B24B21S	TM8V080B12MP11C	17.5	CF/CM/CU30B	2	825	23.6	18.8	17.75	14.25
AC19B24B21S	TM8V080B12MP11C	17.5	CF/CM/CU36B	1	550	19.6	14.7	18.00	26.25
AC19B24B21S	TM8V080B12MP11C	17.5	CF/CM/CU36B	2	825	23.8	18.9	18.00	14.50
AC19B24B21S	TM8V080B12MP11C	17.5	CF42B	1	600	20.2	15.1	18.25	26.90
AC19B24B21S	TM8V080B12MP11C	17.5	CF42B	2	900	23.8	19.5	18.25	14.25
AC19B24B21S	TM8V080B12MP12C	17.5	CF42B	1	600	20.2	15.1	18.25	26.90
AC19B24B21S	TM8V080B12MP12C	17.5	CF42B	2	900	23.8	19.5	18.25	14.25
AC19B24B21S	TM8V080B12MP12C	17.5	XAF/XAUB36D	1	600	20.2	13.9	17.75	26.10
AC19B24B21S	TM8V080B12MP12C	17.5	XAF/XAUB36D	2	900	23.8	18.1	—	13.75
AC19B24B21S	TM8V080B12MP12C	21.0	XAF/XAUC48F	1	600	20.2	13.7	17.75	26.30
AC19B24B21S	TM8V080B12MP12C	21.0	XAF/XAUC48F	2	900	24.0	17.7	—	14.00

SYSTEM CAPACITY - With High Efficiency Motor Furnaces¹ (Continued)

UNIT MODEL	FURNACE MODEL	WIDTH	COIL MODEL ²	STAGE	COOLING				
					RATED CFM	NET MBH		SEER	EER
						TOTAL	SENS.		
AC19B24B21S	TM8V080B12MP12C	21.0	XAF/XAUC60G	1	600	20.4	14.0	18.25	26.95
AC19B24B21S	TM8V080B12MP12C	21.0	XAF/XAUC60G	2	875	24.0	17.7	—	14.25
AC19B24B21S	TM8V080B12MP12C	21.0	XAFC36D	1	600	20.2	13.9	17.75	26.15
AC19B24B21S	TM8V080B12MP12C	21.0	XAFC36D	2	900	23.8	18.3	—	13.75
AC19B24B21S	TM8V080B12MP12C	17.5	XAHB36D	1	550	19.9	13.4	17.50	25.70
AC19B24B21S	TM8V080B12MP12C	17.5	XAHB36D	2	825	23.8	17.6	—	13.75
AC19B24B21S	TM8V080B12MP12C	21.0	XAHC36D	1	550	19.9	13.4	17.50	25.90
AC19B24B21S	TM8V080B12MP12C	21.0	XAHC36D	2	825	23.8	17.7	—	14.00
AC19B24B21S	TM8V080B12MP12C	21.0	XAHC48F	1	600	20.2	13.7	18.00	26.70
AC19B24B21S	TM8V080B12MP12C	21.0	XAHC48F	2	875	24.0	17.5	—	14.00
AC19B24B21S	TM8V080B12MP12C	21.0	XAHC60G	1	600	20.4	14.0	18.50	27.50
AC19B24B21S	TM8V080B12MP12C	21.0	XAHC60G	2	875	24.0	17.7	—	14.25
AC19B24B21S	TM8V080C16MP12C	21.0	XAF/XAUC60G	1	625	20.6	14.3	18.50	27.70
AC19B24B21S	TM8V080C16MP12C	21.0	XAF/XAUC60G	2	875	24.0	17.7	—	14.75
AC19B24B21S	TM8V080C16MP12C	21.0	XAHC48F	1	625	20.4	14.0	18.50	27.40
AC19B24B21S	TM8V080C16MP12C	21.0	XAHC48F	2	875	23.8	17.5	—	14.75
AC19B24B21S	TM8V080C16MP12C	21.0	XAHC60G	1	675	21.0	14.8	18.75	28.35
AC19B24B21S	TM8V080C16MP12C	21.0	XAHC60G	2	950	24.0	18.2	—	14.75
AC19B24B21S	TM8V100C16MP11C	21.0	CF/CM/CU36C	1	625	20.4	15.6	18.50	27.65
AC19B24B21S	TM8V100C16MP11C	21.0	CF/CM/CU36C	2	875	23.8	19.3	18.50	15.00
AC19B24B21S	TM8V100C16MP11C	21.0	CF/CM/CU42C	1	625	20.4	15.6	18.75	27.80
AC19B24B21S	TM8V100C16MP11C	21.0	CF/CM/CU42C	2	875	23.8	19.4	18.75	15.00
AC19B24B21S	TM8V100C16MP11C	21.0	CF/CM/CU48C	1	625	20.4	15.9	19.00	27.90
AC19B24B21S	TM8V100C16MP11C	21.0	CF/CM/CU48C	2	875	23.8	19.2	19.00	15.25
AC19B24B21S	TM8V100C16MP11C	21.0	CF/CM/CU60C	1	625	20.6	15.6	19.00	28.10
AC19B24B21S	TM8V100C16MP11C	21.0	CF/CM/CU60C	2	875	23.8	19.2	19.00	15.25
AC19B24B21S	TM8V100C16MP11C	21.0	CF/CM24C	1	625	20.2	15.5	18.50	27.30
AC19B24B21S	TM8V100C16MP11C	21.0	CF/CM24C	2	875	23.6	19.2	18.50	15.00
AC19B24B21S	TM8V100C16MP11C	21.0	CF/CM42D	1	625	19.9	15.5	17.75	26.80
AC19B24B21S	TM8V100C16MP11C	21.0	CF/CM42D	2	875	23.4	19.5	17.75	14.50
AC19B24B21S	TM8V100C16MP12C	21.0	XAF/XAUC60G	1	625	20.6	14.3	18.50	27.70
AC19B24B21S	TM8V100C16MP12C	21.0	XAF/XAUC60G	2	875	24.0	17.7	—	14.75
AC19B24B21S	TM8V100C16MP12C	21.0	XAHC48F	1	625	20.4	14.0	18.50	27.40
AC19B24B21S	TM8V100C16MP12C	21.0	XAHC48F	2	875	23.8	17.5	—	14.75
AC19B24B21S	TM8V100C16MP12C	21.0	XAHC60G	1	675	21.0	14.8	18.75	28.35
AC19B24B21S	TM8V100C16MP12C	21.0	XAHC60G	2	950	24.0	18.2	—	14.75
AC19B24B21S	TM8X060A12MP11	14.5	CF/CM/CU24A	1	650	20.0	15.8	17.00	25.65
AC19B24B21S	TM8X060A12MP11	14.5	CF/CM/CU24A	2	750	22.8	17.7	17.00	14.00
AC19B24B21S	TM8X060A12MP11	14.5	CF/CM/CU24B	1	650	20.0	15.8	17.25	25.80
AC19B24B21S	TM8X060A12MP11	14.5	CF/CM/CU24B	2	725	22.8	17.5	17.25	14.25
AC19B24B21S	TM8X060A12MP11	14.5	CF/CM/CU30A	1	650	20.2	15.7	17.50	25.95
AC19B24B21S	TM8X060A12MP11	14.5	CF/CM/CU30A	2	750	23.4	18.0	17.50	14.25
AC19B24B21S	TM8X060A12MP11	14.5	CF/CM/CU30B	1	650	20.2	15.7	18.00	26.25
AC19B24B21S	TM8X060A12MP11	14.5	CF/CM/CU30B	2	725	23.8	18.1	18.00	14.50
AC19B24B21S	TM8X060A12MP11	14.5	CF/CM/CU36B	1	650	20.4	15.8	18.25	26.45
AC19B24B21S	TM8X060A12MP11	14.5	CF/CM/CU36B	2	725	23.8	18.4	18.25	14.50
AC19B24B21S	TM8X060A12MP11	14.5	CF/CM36A	1	650	20.4	15.8	18.00	26.35
AC19B24B21S	TM8X060A12MP11	14.5	CF/CM36A	2	775	23.8	18.8	18.00	14.25
AC19B24B21S	TM8X060A12MP11	14.5	CF42B	1	650	20.4	15.8	18.25	26.70
AC19B24B21S	TM8X060A12MP11	14.5	CF42B	2	725	24.0	18.0	18.25	14.75
AC19B24B21S	TM8X080B12MP11	17.5	CF/CM/CU24B	1	675	20.2	16.1	17.75	26.05

SYSTEM CAPACITY - With High Efficiency Motor Furnaces¹ (Continued)

UNIT MODEL	FURNACE MODEL	WIDTH	COIL MODEL ²	STAGE	COOLING				
					RATED CFM	NET MBH		SEER	EER
						TOTAL	SENS.		
AC19B24B21S	TM8X080B12MP11	17.5	CF/CM/CU24B	2	775	23.6	18.6	17.75	14.50
AC19B24B21S	TM8X080B12MP11	17.5	CF/CM/CU30B	1	675	20.2	16.2	18.25	26.30
AC19B24B21S	TM8X080B12MP11	17.5	CF/CM/CU30B	2	775	24.0	18.9	18.25	14.75
AC19B24B21S	TM8X080B12MP11	17.5	CF/CM/CU36B	1	675	20.4	16.0	18.25	26.70
AC19B24B21S	TM8X080B12MP11	17.5	CF/CM/CU36B	2	775	24.0	18.9	18.25	14.75
AC19B24B21S	TM8X080B12MP11	17.5	CF/CM/CU36C	1	700	20.6	16.6	18.50	27.05
AC19B24B21S	TM8X080B12MP11	17.5	CF/CM/CU36C	2	850	23.8	19.2	18.50	14.75
AC19B24B21S	TM8X080B12MP11	17.5	CF/CM/CU42C	1	725	20.8	16.8	18.75	27.60
AC19B24B21S	TM8X080B12MP11	17.5	CF/CM/CU42C	2	850	23.8	19.3	18.75	14.75
AC19B24B21S	TM8X080B12MP11	17.5	CF/CM/CU48C	1	700	20.8	16.4	18.75	27.60
AC19B24B21S	TM8X080B12MP11	17.5	CF/CM/CU48C	2	800	24.0	18.8	18.75	15.25
AC19B24B21S	TM8X080B12MP11	17.5	CF/CM/CU60C	1	725	20.4	16.1	18.50	27.05
AC19B24B21S	TM8X080B12MP11	17.5	CF/CM/CU60C	2	850	23.8	18.6	18.50	14.75
AC19B24B21S	TM8X080B12MP11	17.5	CF/CM24C	1	700	20.2	16.3	17.50	26.40
AC19B24B21S	TM8X080B12MP11	17.5	CF/CM24C	2	850	23.2	19.0	17.50	14.25
AC19B24B21S	TM8X080B12MP11	17.5	CF/CM30C	1	700	20.4	16.3	18.00	26.85
AC19B24B21S	TM8X080B12MP11	17.5	CF/CM30C	2	850	23.6	19.2	18.00	14.50
AC19B24B21S	TM8X080B12MP11	17.5	CF/CM50C	1	700	20.6	16.5	18.75	27.40
AC19B24B21S	TM8X080B12MP11	17.5	CF/CM50C	2	850	24.0	19.5	18.75	15.00
AC19B24B21S	TM8X080B12MP11	17.5	CF42B	1	675	20.6	16.3	18.50	26.90
AC19B24B21S	TM8X080B12MP11	17.5	CF42B	2	750	24.0	18.6	18.50	14.75
AC19B24B21S	TM8Y060A12MP11	14.5	CF/CM/CU24A	1	650	20.0	15.8	17.00	25.65
AC19B24B21S	TM8Y060A12MP11	14.5	CF/CM/CU24A	2	750	22.8	17.7	17.00	14.00
AC19B24B21S	TM8Y060A12MP11	14.5	CF/CM/CU24B	1	650	20.0	15.8	17.25	25.80
AC19B24B21S	TM8Y060A12MP11	14.5	CF/CM/CU24B	2	725	22.8	17.5	17.25	14.25
AC19B24B21S	TM8Y060A12MP11	14.5	CF/CM/CU30A	1	650	20.2	15.7	17.50	25.95
AC19B24B21S	TM8Y060A12MP11	14.5	CF/CM/CU30A	2	750	23.4	18.0	17.50	14.25
AC19B24B21S	TM8Y060A12MP11	14.5	CF/CM/CU30B	1	650	20.2	15.7	18.00	26.25
AC19B24B21S	TM8Y060A12MP11	14.5	CF/CM/CU30B	2	725	23.8	18.1	18.00	14.50
AC19B24B21S	TM8Y060A12MP11	14.5	CF/CM/CU36B	1	650	20.4	15.8	18.25	26.45
AC19B24B21S	TM8Y060A12MP11	14.5	CF/CM/CU36B	2	725	23.8	18.4	18.25	14.50
AC19B24B21S	TM8Y060A12MP11	14.5	CF/CM36A	1	650	20.4	15.8	18.00	26.35
AC19B24B21S	TM8Y060A12MP11	14.5	CF/CM36A	2	775	23.8	18.8	18.00	14.25
AC19B24B21S	TM8Y060A12MP11	14.5	CF42B	1	650	20.4	15.8	18.25	26.70
AC19B24B21S	TM8Y060A12MP11	14.5	CF42B	2	725	24.0	18.0	18.25	14.75
AC19B24B21S	TM8Y060A12MP11	17.5	XAF/XAUB36D	1	675	20.6	14.6	18.00	26.50
AC19B24B21S	TM8Y060A12MP11	17.5	XAF/XAUB36D	2	925	23.8	18.6	—	14.00
AC19B24B21S	TM8Y060A12MP11	14.5	XAFA30D	1	650	20.4	14.4	17.75	26.10
AC19B24B21S	TM8Y060A12MP11	14.5	XAFA30D	2	875	23.8	17.9	—	13.75
AC19B24B21S	TM8Y060A12MP11	17.5	XAHB36D	1	650	20.4	14.4	17.75	26.20
AC19B24B21S	TM8Y060A12MP11	17.5	XAHB36D	2	900	23.8	18.3	—	13.75
AC19B24B21S	TM8Y080B12MP11	17.5	CF/CM/CU24B	1	675	20.2	16.1	17.75	26.05
AC19B24B21S	TM8Y080B12MP11	17.5	CF/CM/CU24B	2	775	23.6	18.6	17.75	14.50
AC19B24B21S	TM8Y080B12MP11	17.5	CF/CM/CU30B	1	675	20.2	16.2	18.25	26.30
AC19B24B21S	TM8Y080B12MP11	17.5	CF/CM/CU30B	2	775	24.0	18.9	18.25	14.75
AC19B24B21S	TM8Y080B12MP11	17.5	CF/CM/CU36B	1	675	20.4	16.0	18.25	26.70
AC19B24B21S	TM8Y080B12MP11	17.5	CF/CM/CU36B	2	775	24.0	18.9	18.25	14.75
AC19B24B21S	TM8Y080B12MP11	17.5	CF/CM/CU36C	1	700	20.6	16.6	18.50	27.05
AC19B24B21S	TM8Y080B12MP11	17.5	CF/CM/CU36C	2	850	23.8	19.2	18.50	14.75
AC19B24B21S	TM8Y080B12MP11	17.5	CF/CM/CU42C	1	725	20.8	16.8	18.75	27.60
AC19B24B21S	TM8Y080B12MP11	17.5	CF/CM/CU42C	2	850	23.8	19.3	18.75	14.75

SYSTEM CAPACITY - With High Efficiency Motor Furnaces¹ (Continued)

UNIT MODEL	FURNACE MODEL	WIDTH	COIL MODEL ²	STAGE	COOLING				
					RATED CFM	NET MBH		SEER	EER
						TOTAL	SENS.		
AC19B24B21S	TM8Y080B12MP11	17.5	CF/CM/CU48C	1	700	20.8	16.4	18.75	27.60
AC19B24B21S	TM8Y080B12MP11	17.5	CF/CM/CU48C	2	800	24.0	18.8	18.75	15.25
AC19B24B21S	TM8Y080B12MP11	17.5	CF/CM/CU60C	1	725	20.4	16.1	18.50	27.05
AC19B24B21S	TM8Y080B12MP11	17.5	CF/CM/CU60C	2	850	23.8	18.6	18.50	14.75
AC19B24B21S	TM8Y080B12MP11	17.5	CF/CM24C	1	700	20.2	16.3	17.50	26.40
AC19B24B21S	TM8Y080B12MP11	17.5	CF/CM24C	2	850	23.2	19.0	17.50	14.25
AC19B24B21S	TM8Y080B12MP11	17.5	CF/CM30C	1	700	20.4	16.3	18.00	26.85
AC19B24B21S	TM8Y080B12MP11	17.5	CF/CM30C	2	850	23.6	19.2	18.00	14.50
AC19B24B21S	TM8Y080B12MP11	17.5	CF/CM50C	1	700	20.6	16.5	18.75	27.40
AC19B24B21S	TM8Y080B12MP11	17.5	CF/CM50C	2	850	24.0	19.5	18.75	15.00
AC19B24B21S	TM8Y080B12MP11	17.5	CF42B	1	675	20.6	16.3	18.50	26.90
AC19B24B21S	TM8Y080B12MP11	17.5	CF42B	2	750	24.0	18.6	18.50	14.75
AC19B24B21S	TM8Y080B12MP11	17.5	XAF/XAUB36D	1	675	20.6	14.6	18.00	26.45
AC19B24B21S	TM8Y080B12MP11	17.5	XAF/XAUB36D	2	825	23.8	17.4	—	14.50
AC19B24B21S	TM8Y080B12MP11	21.0	XAF/XAUC48F	1	700	20.8	14.7	18.00	26.75
AC19B24B21S	TM8Y080B12MP11	21.0	XAF/XAUC48F	2	825	24.0	17.1	—	14.50
AC19B24B21S	TM8Y080B12MP11	21.0	XAF/XAUC60G	1	725	21.0	15.2	18.50	27.50
AC19B24B21S	TM8Y080B12MP11	21.0	XAF/XAUC60G	2	850	24.0	17.4	—	14.75
AC19B24B21S	TM8Y080B12MP11	21.0	XAFC36D	1	675	20.6	14.6	18.00	26.50
AC19B24B21S	TM8Y080B12MP11	21.0	XAFC36D	2	825	23.8	17.7	—	14.50
AC19B24B21S	TM8Y080B12MP11	17.5	XAHB36D	1	675	20.6	14.6	17.75	26.35
AC19B24B21S	TM8Y080B12MP11	17.5	XAHB36D	2	925	23.8	18.2	—	14.00
AC19B24B21S	TM8Y080B12MP11	21.0	XAHC36D	1	700	20.8	14.9	18.00	26.70
AC19B24B21S	TM8Y080B12MP11	21.0	XAHC36D	2	950	23.8	18.8	—	14.00
AC19B24B21S	TM8Y080B12MP11	21.0	XAHC48F	1	725	20.8	14.9	18.25	27.10
AC19B24B21S	TM8Y080B12MP11	21.0	XAHC48F	2	850	24.0	17.2	—	14.50
AC19B24B21S	TM8Y080B12MP11	21.0	XAHC60G	1	750	21.2	15.5	18.50	27.90
AC19B24B21S	TM8Y080B12MP11	21.0	XAHC60G	2	875	24.0	17.6	—	14.75
AC19B24B21S	TM8Y080C16MP11	21.0	XAHC36D	1	750	21.0	15.3	18.25	27.10
AC19B24B21S	TM8Y080C16MP11	21.0	XAHC36D	2	950	23.8	18.2	—	14.50
AC19B24B21S	TM8Y100C16MP11	21.0	XAHC36D	1	750	21.0	15.3	18.25	27.10
AC19B24B21S	TM8Y100C16MP11	21.0	XAHC36D	2	950	23.8	18.2	—	14.50
AC19B24B21S	TM9E026A08MP12	17.5	XAF/XAUB36D	1	525	19.7	13.1	17.25	25.45
AC19B24B21S	TM9E026A08MP12	17.5	XAF/XAUB36D	2	675	23.2	16.1	—	13.75
AC19B24B21S	TM9E026A08MP12	14.5	XAFA30D	1	525	19.7	13.1	17.25	25.40
AC19B24B21S	TM9E026A08MP12	14.5	XAFA30D	2	825	23.6	17.7	—	13.25
AC19B24B21S	TM9E026A08MP12	17.5	XAHB36D	1	525	19.7	13.1	17.25	25.40
AC19B24B21S	TM9E026A08MP12	17.5	XAHB36D	2	850	23.6	17.7	—	13.25
AC19B24B21S	TM9E040A10MP11	14.5	CF/CM/CU24A	1	525	19.3	14.0	17.00	24.70
AC19B24B21S	TM9E040A10MP11	14.5	CF/CM/CU24A	2	675	22.8	17.1	17.00	13.50
AC19B24B21S	TM9E040A10MP11	14.5	CF/CM/CU24B	1	550	19.4	14.3	16.75	24.95
AC19B24B21S	TM9E040A10MP11	14.5	CF/CM/CU24B	2	700	22.4	17.0	16.75	13.50
AC19B24B21S	TM9E040A10MP11	14.5	CF/CM/CU30A	1	525	19.4	14.1	17.00	24.95
AC19B24B21S	TM9E040A10MP11	14.5	CF/CM/CU30A	2	675	22.8	16.9	17.00	13.75
AC19B24B21S	TM9E040A10MP11	14.5	CF/CM/CU30B	1	550	19.6	14.3	17.25	25.40
AC19B24B21S	TM9E040A10MP11	14.5	CF/CM/CU30B	2	700	23.0	17.5	17.25	13.75
AC19B24B21S	TM9E040A10MP11	14.5	CF/CM/CU36B	1	550	19.6	14.7	17.50	25.30
AC19B24B21S	TM9E040A10MP11	14.5	CF/CM/CU36B	2	700	23.4	17.8	17.50	14.00
AC19B24B21S	TM9E040A10MP11	14.5	CF/CM36A	1	525	19.5	14.2	17.25	25.05
AC19B24B21S	TM9E040A10MP11	14.5	CF/CM36A	2	675	23.2	17.5	17.25	13.75
AC19B24B21S	TM9E040A10MP11	14.5	CF42B	1	550	19.8	14.4	17.50	25.75

SYSTEM CAPACITY - With High Efficiency Motor Furnaces¹ (Continued)

UNIT MODEL	FURNACE MODEL	WIDTH	COIL MODEL ²	STAGE	COOLING				
					RATED CFM	NET MBH		SEER	EER
						TOTAL	SENS.		
AC19B24B21S	TM9E040A10MP11	14.5	CF42B	2	675	23.2	17.3	17.50	13.75
AC19B24B21S	TM9E040A10MP12	14.5	CF/CM/CU24A	1	625	19.7	15.3	16.50	24.60
AC19B24B21S	TM9E040A10MP12	14.5	CF/CM/CU24A	2	775	22.6	17.8	16.50	13.50
AC19B24B21S	TM9E040A10MP12	14.5	CF/CM/CU24B	1	650	19.9	15.7	16.75	24.95
AC19B24B21S	TM9E040A10MP12	14.5	CF/CM/CU24B	2	825	23.0	18.5	16.75	13.50
AC19B24B21S	TM9E040A10MP12	14.5	CF/CM/CU30A	1	625	20.0	15.3	17.00	25.10
AC19B24B21S	TM9E040A10MP12	14.5	CF/CM/CU30A	2	775	23.2	18.3	17.00	13.50
AC19B24B21S	TM9E040A10MP12	14.5	CF/CM/CU30B	1	650	20.2	15.7	17.25	25.45
AC19B24B21S	TM9E040A10MP12	14.5	CF/CM/CU30B	2	825	23.6	18.9	17.25	13.75
AC19B24B21S	TM9E040A10MP12	14.5	CF/CM/CU36B	1	650	20.2	15.9	17.50	25.50
AC19B24B21S	TM9E040A10MP12	14.5	CF/CM/CU36B	2	825	23.8	18.9	17.50	13.75
AC19B24B21S	TM9E040A10MP12	14.5	CF/CM36A	1	625	20.2	15.5	17.25	25.40
AC19B24B21S	TM9E040A10MP12	14.5	CF/CM36A	2	800	23.8	18.8	17.25	13.75
AC19B24B21S	TM9E040A10MP12	14.5	CF42B	1	650	20.4	15.9	17.50	25.80
AC19B24B21S	TM9E040A10MP12	14.5	CF42B	2	800	23.8	18.7	17.50	13.75
AC19B24B21S	TM9E040A10MP12	17.5	XAF/XAUB36D	1	650	20.4	14.4	17.25	25.35
AC19B24B21S	TM9E040A10MP12	17.5	XAF/XAUB36D	2	800	23.8	17.4	—	13.75
AC19B24B21S	TM9E040A10MP12	14.5	XAFA30D	1	625	20.2	14.1	17.00	25.10
AC19B24B21S	TM9E040A10MP12	14.5	XAFA30D	2	775	23.8	17.1	—	13.50
AC19B24B21S	TM9E040A10MP12	17.5	XAHB36D	1	625	20.2	14.1	17.00	25.10
AC19B24B21S	TM9E040A10MP12	17.5	XAHB36D	2	775	23.6	17.1	—	13.50
AC19B24B21S	TM9E060A10MP12	14.5	CF/CM/CU24A	1	700	20.2	16.4	16.75	24.85
AC19B24B21S	TM9E060A10MP12	14.5	CF/CM/CU24A	2	800	23.0	18.3	16.75	13.75
AC19B24B21S	TM9E060A10MP12	14.5	CF/CM/CU24B	1	725	20.2	16.7	16.75	25.25
AC19B24B21S	TM9E060A10MP12	14.5	CF/CM/CU24B	2	825	23.0	18.5	16.75	13.75
AC19B24B21S	TM9E060A10MP12	14.5	CF/CM/CU30A	1	700	20.4	16.4	17.25	25.25
AC19B24B21S	TM9E060A10MP12	14.5	CF/CM/CU30A	2	800	23.6	18.5	17.25	14.00
AC19B24B21S	TM9E060A10MP12	14.5	CF/CM/CU30B	1	725	20.4	16.6	17.50	25.70
AC19B24B21S	TM9E060A10MP12	14.5	CF/CM/CU30B	2	850	23.6	19.3	17.50	14.00
AC19B24B21S	TM9E060A10MP12	14.5	CF/CM/CU36B	1	725	20.6	16.5	17.75	26.15
AC19B24B21S	TM9E060A10MP12	14.5	CF/CM/CU36B	2	850	23.8	19.1	17.75	14.00
AC19B24B21S	TM9E060A10MP12	14.5	CF/CM36A	1	700	20.4	16.5	17.50	25.45
AC19B24B21S	TM9E060A10MP12	14.5	CF/CM36A	2	800	23.8	18.6	17.50	14.00
AC19B24B21S	TM9E060A10MP12	14.5	CF42B	1	725	20.8	16.8	17.75	26.15
AC19B24B21S	TM9E060A10MP12	14.5	CF42B	2	825	23.8	18.9	17.75	14.00
AC19B24B21S	TM9E060A10MP12	17.5	XAF/XAUB36D	1	700	20.6	14.8	17.25	25.50
AC19B24B21S	TM9E060A10MP12	17.5	XAF/XAUB36D	2	825	23.8	17.7	—	14.00
AC19B24B21S	TM9E060A10MP12	14.5	XAFA30D	1	675	20.4	14.6	17.25	25.20
AC19B24B21S	TM9E060A10MP12	14.5	XAFA30D	2	850	23.8	17.7	—	13.75
AC19B24B21S	TM9E060A10MP12	17.5	XAHB36D	1	700	20.6	14.8	17.25	25.40
AC19B24B21S	TM9E060A10MP12	17.5	XAHB36D	2	850	23.8	17.9	—	13.75
AC19B24B21S	TM9E060B12MP11	17.5	CF/CM/CU24B	1	700	20.2	16.3	17.00	25.55
AC19B24B21S	TM9E060B12MP11	17.5	CF/CM/CU24B	2	875	23.2	19.3	17.00	14.00
AC19B24B21S	TM9E060B12MP11	17.5	CF/CM/CU30B	1	700	20.4	16.4	17.50	25.95
AC19B24B21S	TM9E060B12MP11	17.5	CF/CM/CU30B	2	875	23.6	19.1	17.50	14.25
AC19B24B21S	TM9E060B12MP11	17.5	CF/CM/CU36B	1	700	20.4	16.7	17.75	26.10
AC19B24B21S	TM9E060B12MP11	17.5	CF/CM/CU36B	2	875	23.8	19.3	17.75	14.25
AC19B24B21S	TM9E060B12MP11	17.5	CF/CM/CU36C	1	725	20.8	16.7	18.00	26.70
AC19B24B21S	TM9E060B12MP11	17.5	CF/CM/CU36C	2	875	23.8	19.3	18.00	14.50
AC19B24B21S	TM9E060B12MP11	17.5	CF/CM/CU42C	1	725	20.8	16.8	18.25	26.80
AC19B24B21S	TM9E060B12MP11	17.5	CF/CM/CU42C	2	875	23.8	19.3	18.25	14.50

SYSTEM CAPACITY - With High Efficiency Motor Furnaces¹ (Continued)

UNIT MODEL	FURNACE MODEL	WIDTH	COIL MODEL ²	STAGE	COOLING				
					RATED CFM	NET MBH		SEER	EER
						TOTAL	SENS.		
AC19B24B21S	TM9E060B12MP11	17.5	CF/CM/CU48C	1	725	20.8	16.9	18.25	26.85
AC19B24B21S	TM9E060B12MP11	17.5	CF/CM/CU48C	2	900	23.8	19.7	18.25	14.50
AC19B24B21S	TM9E060B12MP11	17.5	CF/CM/CU60C	1	725	20.4	16.1	18.00	26.25
AC19B24B21S	TM9E060B12MP11	17.5	CF/CM/CU60C	2	875	23.8	18.2	18.00	14.25
AC19B24B21S	TM9E060B12MP11	17.5	CF/CM24C	1	700	20.2	16.3	17.25	25.65
AC19B24B21S	TM9E060B12MP11	17.5	CF/CM24C	2	875	23.2	19.3	17.25	14.00
AC19B24B21S	TM9E060B12MP11	17.5	CF/CM30C	1	725	20.6	16.8	17.75	26.25
AC19B24B21S	TM9E060B12MP11	17.5	CF/CM30C	2	875	23.6	19.1	17.75	14.25
AC19B24B21S	TM9E060B12MP11	17.5	CF/CM50C	1	700	20.6	16.6	18.25	26.55
AC19B24B21S	TM9E060B12MP11	17.5	CF/CM50C	2	875	24.0	19.7	18.25	14.50
AC19B24B21S	TM9E060B12MP11	17.5	CF42B	1	700	20.6	16.5	18.00	26.40
AC19B24B21S	TM9E060B12MP11	17.5	CF42B	2	850	23.8	19.3	18.00	14.25
AC19B24B21S	TM9E060B12MP12	17.5	CF/CM/CU24B	1	775	20.4	17.5	17.25	25.15
AC19B24B21S	TM9E060B12MP12	17.5	CF/CM/CU24B	2	950	23.2	18.7	17.25	13.25
AC19B24B21S	TM9E060B12MP12	17.5	CF/CM/CU30B	1	775	20.6	17.4	17.25	25.50
AC19B24B21S	TM9E060B12MP12	17.5	CF/CM/CU30B	2	950	23.6	19.9	17.25	14.00
AC19B24B21S	TM9E060B12MP12	17.5	CF/CM/CU36B	1	775	20.6	17.4	17.75	25.75
AC19B24B21S	TM9E060B12MP12	17.5	CF/CM/CU36B	2	950	23.8	20.2	17.75	14.00
AC19B24B21S	TM9E060B12MP12	17.5	CF/CM50C	1	775	20.8	17.5	18.00	26.20
AC19B24B21S	TM9E060B12MP12	17.5	CF/CM50C	2	950	24.6	21.2	18.00	14.00
AC19B24B21S	TM9E060B12MP12	17.5	CF42B	1	750	20.8	17.0	17.75	25.95
AC19B24B21S	TM9E060B12MP12	17.5	CF42B	2	950	23.8	19.9	17.75	14.00
AC19B24B21S	TM9E060B12MP12	17.5	XAF/XAUB36D	1	750	20.8	15.3	17.25	25.50
AC19B24B21S	TM9E060B12MP12	17.5	XAF/XAUB36D	2	925	23.8	18.2	—	13.75
AC19B24B21S	TM9E060B12MP12	21.0	XAF/XAUC48F	1	775	21.0	15.4	17.50	25.75
AC19B24B21S	TM9E060B12MP12	21.0	XAF/XAUC48F	2	950	24.0	18.0	—	13.75
AC19B24B21S	TM9E060B12MP12	21.0	XAF/XAUC60G	1	775	21.2	15.8	17.75	26.20
AC19B24B21S	TM9E060B12MP12	21.0	XAF/XAUC60G	2	950	24.0	18.2	—	14.00
AC19B24B21S	TM9E060B12MP12	21.0	XAFC36D	1	750	20.8	15.3	17.25	25.50
AC19B24B21S	TM9E060B12MP12	21.0	XAFC36D	2	925	23.8	18.5	—	13.75
AC19B24B21S	TM9E060B12MP12	17.5	XAHB36D	1	725	20.6	15.0	17.25	25.20
AC19B24B21S	TM9E060B12MP12	17.5	XAHB36D	2	900	23.8	18.1	—	13.50
AC19B24B21S	TM9E060B12MP12	21.0	XAHC36D	1	750	20.8	15.3	17.25	25.50
AC19B24B21S	TM9E060B12MP12	21.0	XAHC36D	2	925	23.8	18.5	—	13.75
AC19B24B21S	TM9E060B12MP12	21.0	XAHC48F	1	775	21.0	15.4	17.50	25.85
AC19B24B21S	TM9E060B12MP12	21.0	XAHC48F	2	950	24.0	18.0	—	14.00
AC19B24B21S	TM9E080B12MP11	17.5	CF/CM/CU24B	1	725	20.4	16.8	17.25	26.10
AC19B24B21S	TM9E080B12MP11	17.5	CF/CM/CU24B	2	900	22.6	18.0	17.25	13.75
AC19B24B21S	TM9E080B12MP11	17.5	CF/CM/CU30B	1	725	20.6	16.8	18.00	26.50
AC19B24B21S	TM9E080B12MP11	17.5	CF/CM/CU30B	2	900	23.6	19.4	18.00	14.50
AC19B24B21S	TM9E080B12MP11	17.5	CF/CM/CU36B	1	725	20.8	16.7	18.25	27.00
AC19B24B21S	TM9E080B12MP11	17.5	CF/CM/CU36B	2	900	23.8	19.7	18.25	14.50
AC19B24B21S	TM9E080B12MP11	17.5	CF/CM/CU36C	1	725	20.8	16.7	18.25	27.15
AC19B24B21S	TM9E080B12MP11	17.5	CF/CM/CU36C	2	925	23.8	19.9	18.25	14.75
AC19B24B21S	TM9E080B12MP11	17.5	CF/CM/CU42C	1	725	20.8	16.8	18.50	27.25
AC19B24B21S	TM9E080B12MP11	17.5	CF/CM/CU42C	2	925	23.8	19.9	18.50	14.75
AC19B24B21S	TM9E080B12MP11	17.5	CF/CM/CU48C	1	750	21.0	17.1	18.75	27.55
AC19B24B21S	TM9E080B12MP11	17.5	CF/CM/CU48C	2	925	23.8	19.9	18.75	14.75
AC19B24B21S	TM9E080B12MP11	17.5	CF/CM/CU60C	1	725	20.4	16.1	18.25	26.70
AC19B24B21S	TM9E080B12MP11	17.5	CF/CM/CU60C	2	925	23.8	19.3	18.25	14.75
AC19B24B21S	TM9E080B12MP11	17.5	CF/CM24C	1	725	20.4	16.8	17.25	26.20

SYSTEM CAPACITY - With High Efficiency Motor Furnaces¹ (Continued)

UNIT MODEL	FURNACE MODEL	WIDTH	COIL MODEL ²	STAGE	COOLING				
					RATED CFM	NET MBH		SEER	EER
						TOTAL	SENS.		
AC19B24B21S	TM9E080B12MP11	17.5	CF/CM24C	2	925	23.0	18.4	17.25	13.75
AC19B24B21S	TM9E080B12MP11	17.5	CF/CM30C	1	725	20.6	16.8	18.00	26.60
AC19B24B21S	TM9E080B12MP11	17.5	CF/CM30C	2	925	23.6	19.6	18.00	14.50
AC19B24B21S	TM9E080B12MP11	17.5	CF/CM50C	1	725	20.6	16.9	18.50	27.00
AC19B24B21S	TM9E080B12MP11	17.5	CF/CM50C	2	900	24.0	20.0	18.50	14.50
AC19B24B21S	TM9E080B12MP11	17.5	CF42B	1	725	20.8	16.8	18.25	27.05
AC19B24B21S	TM9E080B12MP11	17.5	CF42B	2	875	23.8	19.3	18.25	14.50
AC19B24B21S	TM9E080B12MP12	17.5	CF/CM/CU24B	1	825	20.4	18.0	17.50	25.25
AC19B24B21S	TM9E080B12MP12	17.5	CF/CM/CU24B	2	950	23.4	18.9	17.50	13.75
AC19B24B21S	TM9E080B12MP12	17.5	CF/CM/CU30B	1	825	20.8	17.9	17.50	26.00
AC19B24B21S	TM9E080B12MP12	17.5	CF/CM/CU30B	2	950	23.6	20.0	17.50	14.00
AC19B24B21S	TM9E080B12MP12	17.5	CF/CM/CU36B	1	825	21.0	18.1	18.00	26.10
AC19B24B21S	TM9E080B12MP12	17.5	CF/CM/CU36B	2	950	23.8	20.2	18.00	14.50
AC19B24B21S	TM9E080B12MP12	17.5	CF/CM50C	1	825	21.0	18.2	18.00	26.45
AC19B24B21S	TM9E080B12MP12	17.5	CF/CM50C	2	950	24.6	21.2	18.00	14.50
AC19B24B21S	TM9E080B12MP12	17.5	CF42B	1	800	21.0	17.7	18.00	26.20
AC19B24B21S	TM9E080B12MP12	17.5	CF42B	2	950	23.8	20.0	18.00	14.50
AC19B24B21S	TM9E080B12MP12	17.5	XAF/XAUB36D	1	800	21.0	15.7	17.50	25.75
AC19B24B21S	TM9E080B12MP12	17.5	XAF/XAUB36D	2	925	23.8	18.1	—	14.00
AC19B24B21S	TM9E080B12MP12	21.0	XAF/XAUC48F	1	825	21.2	15.9	17.75	26.00
AC19B24B21S	TM9E080B12MP12	21.0	XAF/XAUC48F	2	950	24.0	17.9	—	14.25
AC19B24B21S	TM9E080B12MP12	21.0	XAFC36D	1	800	21.0	15.7	17.50	25.80
AC19B24B21S	TM9E080B12MP12	21.0	XAFC36D	2	925	23.8	18.6	—	14.00
AC19B24B21S	TM9E080B12MP12	17.5	XAHB36D	1	775	21.0	15.6	17.25	25.45
AC19B24B21S	TM9E080B12MP12	17.5	XAHB36D	2	900	23.8	18.0	—	14.00
AC19B24B21S	TM9E080B12MP12	21.0	XAHC36D	1	800	21.0	15.7	17.50	25.75
AC19B24B21S	TM9E080B12MP12	21.0	XAHC36D	2	925	23.8	18.6	—	14.00
AC19B24B21S	TM9E080C16MP12	21.0	CF/CM/CU36C	1	775	20.8	17.4	18.50	27.10
AC19B24B21S	TM9E080C16MP12	21.0	CF/CM/CU36C	2	900	23.8	19.7	18.50	14.75
AC19B24B21S	TM9E080C16MP12	21.0	CF/CM/CU42C	1	775	21.0	17.4	18.50	27.40
AC19B24B21S	TM9E080C16MP12	21.0	CF/CM/CU42C	2	900	23.8	19.6	18.50	15.00
AC19B24B21S	TM9E080C16MP12	21.0	CF/CM/CU48C	1	775	21.2	17.6	19.00	27.55
AC19B24B21S	TM9E080C16MP12	21.0	CF/CM/CU48C	2	925	23.8	19.9	19.00	15.00
AC19B24B21S	TM9E080C16MP12	21.0	CF/CM/CU48D	1	775	21.2	17.6	18.75	27.55
AC19B24B21S	TM9E080C16MP12	21.0	CF/CM/CU48D	2	925	23.8	19.9	18.75	15.00
AC19B24B21S	TM9E080C16MP12	21.0	CF/CM/CU60C	1	775	20.6	16.8	18.25	26.90
AC19B24B21S	TM9E080C16MP12	21.0	CF/CM/CU60C	2	900	23.8	19.1	18.25	14.75
AC19B24B21S	TM9E080C16MP12	21.0	CF/CM/CU60D	1	800	20.8	16.7	18.25	27.10
AC19B24B21S	TM9E080C16MP12	21.0	CF/CM/CU60D	2	925	23.8	19.3	18.25	14.75
AC19B24B21S	TM9E080C16MP12	21.0	CF/CM24C	1	775	20.6	16.9	17.50	26.55
AC19B24B21S	TM9E080C16MP12	21.0	CF/CM24C	2	900	22.6	18.0	17.50	14.00
AC19B24B21S	TM9E080C16MP12	21.0	CF/CM30C	1	775	20.6	17.3	18.00	26.65
AC19B24B21S	TM9E080C16MP12	21.0	CF/CM30C	2	900	23.6	19.3	18.00	14.75
AC19B24B21S	TM9E080C16MP12	21.0	CF/CM36D	1	775	20.8	17.4	18.50	27.10
AC19B24B21S	TM9E080C16MP12	21.0	CF/CM36D	2	925	23.8	19.9	18.50	14.75
AC19B24B21S	TM9E080C16MP12	21.0	CF/CM42D	1	775	21.0	17.4	18.50	27.40
AC19B24B21S	TM9E080C16MP12	21.0	CF/CM42D	2	925	23.8	19.9	18.50	14.75
AC19B24B21S	TM9E080C16MP12	21.0	CF/CM50C	1	775	21.0	17.7	18.50	27.30
AC19B24B21S	TM9E080C16MP12	21.0	CF/CM50C	2	900	24.0	20.0	18.50	14.75
AC19B24B21S	TM9E080C16MP12	21.0	XAF/XAUC48F	1	750	21.0	15.2	18.00	26.70
AC19B24B21S	TM9E080C16MP12	21.0	XAF/XAUC48F	2	875	23.8	17.5	—	14.50

SYSTEM CAPACITY - With High Efficiency Motor Furnaces¹ (Continued)

UNIT MODEL	FURNACE MODEL	WIDTH	COIL MODEL ²	STAGE	COOLING				
					RATED CFM	NET MBH		SEER	EER
						TOTAL	SENS.		
AC19B24B21S	TM9E080C16MP12	21.0	XAF/XAUC60G	1	775	21.2	15.7	18.25	27.25
AC19B24B21S	TM9E080C16MP12	21.0	XAF/XAUC60G	2	900	24.0	17.9	—	14.75
AC19B24B21S	TM9E080C16MP12	24.5	XAF/XAUD60G	1	775	21.2	15.7	18.50	27.25
AC19B24B21S	TM9E080C16MP12	24.5	XAF/XAUD60G	2	900	24.0	17.7	—	14.75
AC19B24B21S	TM9E080C16MP12	21.0	XAFC36D	1	750	21.0	15.4	18.00	26.60
AC19B24B21S	TM9E080C16MP12	21.0	XAFC36D	2	875	23.8	17.7	—	14.50
AC19B24B21S	TM9E080C16MP12	24.5	XAFD48F	1	750	21.0	15.2	18.00	26.70
AC19B24B21S	TM9E080C16MP12	24.5	XAFD48F	2	875	23.8	17.8	—	14.50
AC19B24B21S	TM9E080C16MP12	21.0	XAHC36D	1	725	20.8	15.1	18.00	26.35
AC19B24B21S	TM9E080C16MP12	21.0	XAHC36D	2	850	23.8	17.6	—	14.25
AC19B24B21S	TM9E080C16MP12	21.0	XAHC48F	1	775	21.0	15.3	18.25	26.90
AC19B24B21S	TM9E080C16MP12	21.0	XAHC48F	2	900	23.8	17.7	—	14.50
AC19B24B21S	TM9E080C16MP12	24.5	XAHD48F	1	750	21.0	15.2	18.00	26.65
AC19B24B21S	TM9E080C16MP12	24.5	XAHD48F	2	875	23.8	17.8	—	14.50
AC19B24B21S	TM9E080C16MP12	21.0	XAHD60G	1	750	21.2	15.6	18.25	27.05
AC19B24B21S	TM9E080C16MP12	21.0	XAHD60G	2	875	24.0	18.3	—	14.75
AC19B24B21S	TM9E100C16MP12	21.0	CF/CM/CU36C	1	825	21.0	18.1	18.50	27.00
AC19B24B21S	TM9E100C16MP12	21.0	CF/CM/CU36C	2	950	23.8	20.2	18.50	14.75
AC19B24B21S	TM9E100C16MP12	21.0	CF/CM/CU42C	1	825	21.2	18.0	18.50	27.25
AC19B24B21S	TM9E100C16MP12	21.0	CF/CM/CU42C	2	950	23.8	20.0	18.50	15.00
AC19B24B21S	TM9E100C16MP12	21.0	CF/CM/CU48C	1	825	21.2	18.3	18.75	27.40
AC19B24B21S	TM9E100C16MP12	21.0	CF/CM/CU48C	2	950	23.8	19.9	18.75	15.00
AC19B24B21S	TM9E100C16MP12	21.0	CF/CM/CU60C	1	825	21.0	17.1	18.25	26.85
AC19B24B21S	TM9E100C16MP12	21.0	CF/CM/CU60C	2	950	23.8	18.9	18.25	15.00
AC19B24B21S	TM9E100C16MP12	21.0	CF/CM24C	1	825	20.6	18.2	18.00	26.10
AC19B24B21S	TM9E100C16MP12	21.0	CF/CM24C	2	950	23.6	19.1	18.00	14.00
AC19B24B21S	TM9E100C16MP12	21.0	CF/CM30C	1	825	21.0	18.1	18.00	26.85
AC19B24B21S	TM9E100C16MP12	21.0	CF/CM30C	2	950	23.6	20.0	18.00	14.75
AC19B24B21S	TM9E100C16MP12	21.0	CF/CM50C	1	800	21.0	18.0	18.50	27.15
AC19B24B21S	TM9E100C16MP12	21.0	CF/CM50C	2	950	24.8	21.2	18.50	14.75
AC19B24B21S	TM9E100C16MP12	21.0	XAF/XAUC48F	1	800	21.0	15.5	18.00	26.65
AC19B24B21S	TM9E100C16MP12	21.0	XAF/XAUC48F	2	925	23.8	17.9	—	14.50
AC19B24B21S	TM9E100C16MP12	21.0	XAF/XAUC60G	1	825	21.4	16.2	18.25	27.25
AC19B24B21S	TM9E100C16MP12	21.0	XAF/XAUC60G	2	950	24.0	18.2	—	14.75
AC19B24B21S	TM9E100C16MP12	24.5	XAF/XAUD60G	1	800	21.2	15.9	18.25	27.10
AC19B24B21S	TM9E100C16MP12	24.5	XAF/XAUD60G	2	950	24.0	18.1	—	14.75
AC19B24B21S	TM9E100C16MP12	21.0	XAFC36D	1	775	21.0	15.5	18.00	26.50
AC19B24B21S	TM9E100C16MP12	21.0	XAFC36D	2	900	23.8	17.9	—	14.50
AC19B24B21S	TM9E100C16MP12	24.5	XAFD48F	1	800	21.0	15.5	18.00	26.65
AC19B24B21S	TM9E100C16MP12	24.5	XAFD48F	2	925	23.8	18.3	—	14.50
AC19B24B21S	TM9E100C16MP12	21.0	XAHC36D	1	775	21.0	15.5	18.00	26.45
AC19B24B21S	TM9E100C16MP12	21.0	XAHC36D	2	900	23.8	17.9	—	14.50
AC19B24B21S	TM9E100C16MP12	21.0	XAHC48F	1	825	21.2	15.8	18.25	26.90
AC19B24B21S	TM9E100C16MP12	21.0	XAHC48F	2	950	24.0	18.6	—	14.50
AC19B24B21S	TM9E100C16MP12	24.5	XAHD48F	1	800	21.0	15.5	18.00	26.65
AC19B24B21S	TM9E100C16MP12	24.5	XAHD48F	2	925	23.8	18.3	—	14.50
AC19B24B21S	TM9E100C16MP12	21.0	XAHD60G	1	800	21.2	15.9	18.25	27.05
AC19B24B21S	TM9E100C16MP12	21.0	XAHD60G	2	925	24.0	18.8	—	14.75
AC19B24B21S	TM9V040A10MP12C	14.5	CF/CM/CU24A	1	425	18.6	12.6	17.00	24.75
AC19B24B21S	TM9V040A10MP12C	14.5	CF/CM/CU24A	2	625	22.6	16.3	17.00	13.75
AC19B24B21S	TM9V040A10MP12C	14.5	CF/CM/CU24B	1	425	18.6	12.6	17.00	24.90

SYSTEM CAPACITY - With High Efficiency Motor Furnaces¹ (Continued)

UNIT MODEL	FURNACE MODEL	WIDTH	COIL MODEL ²	STAGE	COOLING				
					RATED CFM	NET MBH		SEER	EER
						TOTAL	SENS.		
AC19B24B21S	TM9V040A10MP12C	14.5	CF/CM/CU24B	2	625	22.8	16.5	17.00	14.00
AC19B24B21S	TM9V040A10MP12C	14.5	CF/CM/CU30A	1	425	18.6	12.6	17.25	24.90
AC19B24B21S	TM9V040A10MP12C	14.5	CF/CM/CU30A	2	625	23.0	16.6	17.25	14.00
AC19B24B21S	TM9V040A10MP12C	14.5	CF/CM/CU30B	1	425	18.6	12.6	17.25	25.00
AC19B24B21S	TM9V040A10MP12C	14.5	CF/CM/CU30B	2	625	23.2	16.8	17.25	14.25
AC19B24B21S	TM9V040A10MP12C	14.5	CF/CM/CU36B	1	425	18.8	12.6	17.50	25.30
AC19B24B21S	TM9V040A10MP12C	14.5	CF/CM/CU36B	2	625	23.2	17.0	17.50	14.25
AC19B24B21S	TM9V040A10MP12C	14.5	CF/CM36A	1	425	18.8	12.7	17.50	25.20
AC19B24B21S	TM9V040A10MP12C	14.5	CF/CM36A	2	625	23.2	17.0	17.50	14.00
AC19B24B21S	TM9V040A10MP12C	14.5	CF42B	1	425	18.8	12.7	17.50	25.35
AC19B24B21S	TM9V040A10MP12C	14.5	CF42B	2	625	23.2	16.8	17.50	14.25
AC19B24B21S	TM9V040A10MP12C	17.5	XAF/XAUB36D	1	500	19.5	12.8	17.25	25.35
AC19B24B21S	TM9V040A10MP12C	17.5	XAF/XAUB36D	2	775	23.6	17.1	—	13.75
AC19B24B21S	TM9V040A10MP12C	14.5	XAFA30D	1	500	19.5	12.8	17.00	25.05
AC19B24B21S	TM9V040A10MP12C	14.5	XAFA30D	2	775	23.8	17.1	—	13.50
AC19B24B21S	TM9V040A10MP12C	17.5	XAHB36D	1	500	19.5	12.8	17.00	25.15
AC19B24B21S	TM9V040A10MP12C	17.5	XAHB36D	2	775	23.6	17.1	—	13.50
AC19B24B21S	TM9V060B12MP11C	17.5	CF/CM/CU24B	1	575	19.6	14.7	17.25	26.10
AC19B24B21S	TM9V060B12MP11C	17.5	CF/CM/CU24B	2	875	23.2	19.4	17.25	14.00
AC19B24B21S	TM9V060B12MP11C	17.5	CF/CM/CU30B	1	575	19.8	14.8	17.75	26.50
AC19B24B21S	TM9V060B12MP11C	17.5	CF/CM/CU30B	2	875	23.6	19.3	17.75	14.25
AC19B24B21S	TM9V060B12MP11C	17.5	CF/CM/CU36B	1	575	19.9	15.2	18.25	26.65
AC19B24B21S	TM9V060B12MP11C	17.5	CF/CM/CU36B	2	875	23.8	19.3	18.25	14.50
AC19B24B21S	TM9V060B12MP11C	17.5	CF42B	1	575	20.0	14.8	18.25	26.90
AC19B24B21S	TM9V060B12MP11C	17.5	CF42B	2	875	23.8	19.3	18.25	14.25
AC19B24B21S	TM9V060B12MP12C	17.5	CF/CM/CU24B	1	575	19.6	14.7	17.25	26.10
AC19B24B21S	TM9V060B12MP12C	17.5	CF/CM/CU24B	2	875	23.2	19.4	17.25	14.00
AC19B24B21S	TM9V060B12MP12C	17.5	XAF/XAUB36D	1	575	20.0	13.6	17.75	26.15
AC19B24B21S	TM9V060B12MP12C	17.5	XAF/XAUB36D	2	875	23.8	17.9	—	14.00
AC19B24B21S	TM9V060B12MP12C	21.0	XAF/XAUC48F	1	575	20.0	13.4	17.75	26.35
AC19B24B21S	TM9V060B12MP12C	21.0	XAF/XAUC48F	2	875	24.0	17.5	—	14.00
AC19B24B21S	TM9V060B12MP12C	21.0	XAF/XAUC60G	1	575	20.4	13.8	18.25	27.10
AC19B24B21S	TM9V060B12MP12C	21.0	XAF/XAUC60G	2	875	24.0	17.7	—	14.25
AC19B24B21S	TM9V060B12MP12C	21.0	XAFC36D	1	575	20.0	13.6	17.75	26.25
AC19B24B21S	TM9V060B12MP12C	21.0	XAFC36D	2	875	23.8	18.1	—	14.00
AC19B24B21S	TM9V060B12MP12C	17.5	XAHB36D	1	575	20.0	13.6	17.50	25.90
AC19B24B21S	TM9V060B12MP12C	17.5	XAHB36D	2	875	23.8	17.9	—	13.75
AC19B24B21S	TM9V060B12MP12C	21.0	XAHC36D	1	575	20.0	13.6	17.75	26.15
AC19B24B21S	TM9V060B12MP12C	21.0	XAHC36D	2	875	23.8	18.2	—	14.00
AC19B24B21S	TM9V060B12MP12C	21.0	XAHC48F	1	575	20.2	13.5	18.00	26.80
AC19B24B21S	TM9V060B12MP12C	21.0	XAHC48F	2	875	23.8	17.9	—	14.25
AC19B24B21S	TM9V060B12MP12C	21.0	XAHC60G	1	575	20.4	13.8	18.50	27.65
AC19B24B21S	TM9V060B12MP12C	21.0	XAHC60G	2	850	24.0	17.5	—	14.50
AC19B24B21S	TM9V080B12MP11C	17.5	CF/CM/CU24B	1	600	19.8	15.0	17.50	26.35
AC19B24B21S	TM9V080B12MP11C	17.5	CF/CM/CU24B	2	850	23.2	19.0	17.50	14.25
AC19B24B21S	TM9V080B12MP11C	17.5	CF/CM/CU30B	1	600	20.0	15.2	18.00	26.75
AC19B24B21S	TM9V080B12MP11C	17.5	CF/CM/CU30B	2	875	23.6	19.1	18.00	14.50
AC19B24B21S	TM9V080B12MP11C	17.5	CF/CM/CU36B	1	600	20.0	15.3	18.50	26.85
AC19B24B21S	TM9V080B12MP11C	17.5	CF/CM/CU36B	2	850	23.8	19.1	18.50	14.75
AC19B24B21S	TM9V080B12MP11C	17.5	CF42B	1	600	20.2	15.1	18.50	27.25
AC19B24B21S	TM9V080B12MP11C	17.5	CF42B	2	875	23.8	19.3	18.50	14.50

SYSTEM CAPACITY - With High Efficiency Motor Furnaces¹ (Continued)

UNIT MODEL	FURNACE MODEL	WIDTH	COIL MODEL ²	STAGE	COOLING				
					RATED CFM	NET MBH		SEER	EER
						TOTAL	SENS.		
AC19B24B21S	TM9V080B12MP12C	17.5	XAF/XAUB36D	1	625	20.4	14.2	18.00	26.60
AC19B24B21S	TM9V080B12MP12C	17.5	XAF/XAUB36D	2	875	23.8	17.8	—	14.25
AC19B24B21S	TM9V080B12MP12C	21.0	XAF/XAUC48F	1	675	20.6	14.4	18.00	26.75
AC19B24B21S	TM9V080B12MP12C	21.0	XAF/XAUC48F	2	950	24.0	18.0	—	14.00
AC19B24B21S	TM9V080B12MP12C	21.0	XAF/XAUC60G	1	600	20.4	14.0	18.50	27.35
AC19B24B21S	TM9V080B12MP12C	21.0	XAF/XAUC60G	2	850	24.0	17.4	—	14.50
AC19B24B21S	TM9V080B12MP12C	21.0	XAFC36D	1	575	20.2	13.7	18.00	26.55
AC19B24B21S	TM9V080B12MP12C	21.0	XAFC36D	2	800	23.8	17.4	—	14.25
AC19B24B21S	TM9V080B12MP12C	17.5	XAHB36D	1	575	20.0	13.6	17.75	26.20
AC19B24B21S	TM9V080B12MP12C	17.5	XAHB36D	2	800	23.8	17.3	—	14.25
AC19B24B21S	TM9V080B12MP12C	21.0	XAHC36D	1	575	20.2	13.7	18.00	26.45
AC19B24B21S	TM9V080B12MP12C	21.0	XAHC36D	2	800	23.8	17.4	—	14.25
AC19B24B21S	TM9V080B12MP12C	21.0	XAHC48F	1	600	20.2	13.7	18.25	27.10
AC19B24B21S	TM9V080B12MP12C	21.0	XAHC48F	2	850	24.0	17.2	—	14.50
AC19B24B21S	TM9V080B12MP12C	21.0	XAHC60G	1	600	20.6	14.1	18.50	27.85
AC19B24B21S	TM9V080B12MP12C	21.0	XAHC60G	2	850	24.0	17.4	—	14.75
AC19B24B21S	TM9V080C16MP11C	21.0	CF/CM/CU36C	1	625	20.4	15.6	18.50	27.45
AC19B24B21S	TM9V080C16MP11C	21.0	CF/CM/CU36C	2	950	23.8	20.2	18.50	14.75
AC19B24B21S	TM9V080C16MP11C	21.0	CF/CM/CU42C	1	625	20.4	15.6	18.75	27.60
AC19B24B21S	TM9V080C16MP11C	21.0	CF/CM/CU42C	2	950	23.8	20.0	18.75	14.75
AC19B24B21S	TM9V080C16MP11C	21.0	CF/CM/CU48C	1	625	20.4	15.9	19.00	27.65
AC19B24B21S	TM9V080C16MP11C	21.0	CF/CM/CU48C	2	950	23.8	19.9	19.00	15.00
AC19B24B21S	TM9V080C16MP11C	21.0	CF/CM/CU48D	1	625	20.4	15.9	18.75	27.60
AC19B24B21S	TM9V080C16MP11C	21.0	CF/CM/CU48D	2	950	23.8	19.9	18.75	14.75
AC19B24B21S	TM9V080C16MP11C	21.0	CF/CM/CU60C	1	625	20.0	14.9	18.25	27.05
AC19B24B21S	TM9V080C16MP11C	21.0	CF/CM/CU60C	2	950	23.8	18.9	18.25	14.75
AC19B24B21S	TM9V080C16MP11C	21.0	CF/CM/CU60D	1	625	20.0	14.9	18.00	27.10
AC19B24B21S	TM9V080C16MP11C	21.0	CF/CM/CU60D	2	950	23.8	18.9	18.00	14.75
AC19B24B21S	TM9V080C16MP11C	21.0	CF/CM30C	1	625	20.2	15.5	18.25	27.05
AC19B24B21S	TM9V080C16MP11C	21.0	CF/CM30C	2	950	23.6	20.0	18.25	14.50
AC19B24B21S	TM9V080C16MP11C	21.0	CF/CM36D	1	625	20.4	15.6	18.50	27.45
AC19B24B21S	TM9V080C16MP11C	21.0	CF/CM36D	2	950	23.8	20.2	18.50	14.75
AC19B24B21S	TM9V080C16MP11C	21.0	CF/CM42D	1	625	20.4	15.6	18.75	27.65
AC19B24B21S	TM9V080C16MP11C	21.0	CF/CM42D	2	950	23.8	20.0	18.75	14.75
AC19B24B21S	TM9V080C16MP12C	21.0	CF/CM/CU36C	1	625	20.4	15.6	18.50	27.45
AC19B24B21S	TM9V080C16MP12C	21.0	CF/CM/CU36C	2	950	23.8	20.2	18.50	14.75
AC19B24B21S	TM9V080C16MP12C	21.0	CF/CM/CU42C	1	625	20.4	15.6	18.75	27.60
AC19B24B21S	TM9V080C16MP12C	21.0	CF/CM/CU42C	2	950	23.8	20.0	18.75	14.75
AC19B24B21S	TM9V080C16MP12C	21.0	CF/CM/CU48C	1	625	20.4	15.9	19.00	27.65
AC19B24B21S	TM9V080C16MP12C	21.0	CF/CM/CU48C	2	950	23.8	19.9	19.00	15.00
AC19B24B21S	TM9V080C16MP12C	21.0	CF/CM/CU48D	1	625	20.4	15.9	18.75	27.60
AC19B24B21S	TM9V080C16MP12C	21.0	CF/CM/CU48D	2	950	23.8	19.9	18.75	14.75
AC19B24B21S	TM9V080C16MP12C	21.0	CF/CM/CU60C	1	625	20.0	14.9	18.25	27.05
AC19B24B21S	TM9V080C16MP12C	21.0	CF/CM/CU60C	2	950	23.8	18.9	18.25	14.75
AC19B24B21S	TM9V080C16MP12C	21.0	CF/CM/CU60D	1	625	20.0	14.9	18.00	27.10
AC19B24B21S	TM9V080C16MP12C	21.0	CF/CM/CU60D	2	950	23.8	18.9	18.00	14.75
AC19B24B21S	TM9V080C16MP12C	21.0	CF/CM30C	1	625	20.2	15.5	18.25	27.05
AC19B24B21S	TM9V080C16MP12C	21.0	CF/CM30C	2	950	23.6	20.0	18.25	14.50
AC19B24B21S	TM9V080C16MP12C	21.0	CF/CM36D	1	625	20.4	15.6	18.50	27.45
AC19B24B21S	TM9V080C16MP12C	21.0	CF/CM36D	2	950	23.8	20.2	18.50	14.75
AC19B24B21S	TM9V080C16MP12C	21.0	CF/CM42D	1	625	20.4	15.6	18.75	27.65

SYSTEM CAPACITY - With High Efficiency Motor Furnaces¹ (Continued)

UNIT MODEL	FURNACE MODEL	WIDTH	COIL MODEL ²	STAGE	COOLING				
					RATED CFM	NET MBH		SEER	EER
						TOTAL	SENS.		
AC19B24B21S	TM9V080C16MP12C	21.0	CF/CM42D	2	950	23.8	20.0	18.75	14.75
AC19B24B21S	TM9V080C16MP12C	21.0	XAHC60G	1	650	20.8	14.5	18.50	28.15
AC19B24B21S	TM9V080C16MP12C	21.0	XAHC60G	2	950	24.0	18.2	—	14.75
AC19B24B21S	TM9V100C16MP11C	21.0	CF/CM/CU36C	1	675	20.6	16.2	18.50	27.65
AC19B24B21S	TM9V100C16MP11C	21.0	CF/CM/CU36C	2	900	23.8	19.7	18.50	15.00
AC19B24B21S	TM9V100C16MP11C	21.0	CF/CM/CU42C	1	675	20.6	16.3	18.75	27.80
AC19B24B21S	TM9V100C16MP11C	21.0	CF/CM/CU42C	2	900	23.8	19.6	18.75	15.00
AC19B24B21S	TM9V100C16MP11C	21.0	CF/CM/CU48C	1	675	20.8	16.4	19.25	28.05
AC19B24B21S	TM9V100C16MP11C	21.0	CF/CM/CU48C	2	900	23.8	19.6	19.25	15.25
AC19B24B21S	TM9V100C16MP11C	21.0	CF/CM24C	1	675	20.2	16.1	18.25	27.10
AC19B24B21S	TM9V100C16MP11C	21.0	CF/CM24C	2	900	23.6	19.3	18.25	14.75
AC19B24B21S	TM9V100C16MP11C	21.0	CF/CM30C	1	675	20.2	16.1	18.25	27.10
AC19B24B21S	TM9V100C16MP11C	21.0	CF/CM30C	2	900	23.6	19.3	18.25	14.75
AC19B24B21S	TM9V100C16MP12C	21.0	CF/CM/CU30C	1	675	20.2	16.1	18.25	27.10
AC19B24B21S	TM9V100C16MP12C	21.0	CF/CM/CU30C	2	900	23.6	19.3	18.25	14.75
AC19B24B21S	TM9V100C16MP12C	21.0	CF/CM/CU36C	1	675	20.6	16.2	18.50	27.65
AC19B24B21S	TM9V100C16MP12C	21.0	CF/CM/CU36C	2	900	23.8	19.7	18.50	15.00
AC19B24B21S	TM9V100C16MP12C	21.0	CF/CM/CU42C	1	675	20.6	16.3	18.75	27.80
AC19B24B21S	TM9V100C16MP12C	21.0	CF/CM/CU42C	2	900	23.8	19.6	18.75	15.00
AC19B24B21S	TM9V100C16MP12C	21.0	CF/CM/CU48C	1	675	20.8	16.4	19.25	28.05
AC19B24B21S	TM9V100C16MP12C	21.0	CF/CM/CU48C	2	900	23.8	19.6	19.25	15.25
AC19B24B21S	TM9V100C16MP12C	21.0	XAF/XAUC48F	1	675	20.6	14.4	18.25	26.95
AC19B24B21S	TM9V100C16MP12C	21.0	XAF/XAUC48F	2	900	23.8	17.7	—	14.50
AC19B24B21S	TM9V100C16MP12C	21.0	XAF/XAUC60G	1	675	20.8	14.7	18.50	27.70
AC19B24B21S	TM9V100C16MP12C	21.0	XAF/XAUC60G	2	900	24.0	17.9	—	14.75
AC19B24B21S	TM9V100C16MP12C	24.5	XAF/XAUD60G	1	675	20.8	14.7	18.50	27.50
AC19B24B21S	TM9V100C16MP12C	24.5	XAF/XAUD60G	2	900	24.0	17.7	—	14.75
AC19B24B21S	TM9V100C16MP12C	21.0	XAFC36D	1	675	20.6	14.6	18.00	26.80
AC19B24B21S	TM9V100C16MP12C	21.0	XAFC36D	2	900	23.8	17.9	—	14.50
AC19B24B21S	TM9V100C16MP12C	24.5	XAFD48F	1	675	20.6	14.4	18.25	26.90
AC19B24B21S	TM9V100C16MP12C	24.5	XAFD48F	2	900	23.8	18.1	—	14.50
AC19B24B21S	TM9V100C16MP12C	21.0	XAHC36D	1	675	20.6	14.6	18.00	26.65
AC19B24B21S	TM9V100C16MP12C	21.0	XAHC36D	2	900	23.8	17.9	—	14.50
AC19B24B21S	TM9V100C16MP12C	21.0	XAHC48F	1	675	20.6	14.4	18.50	27.40
AC19B24B21S	TM9V100C16MP12C	21.0	XAHC48F	2	900	23.8	17.7	—	14.75
AC19B24B21S	TM9V100C16MP12C	21.0	XAHC60G	1	675	21.0	14.8	18.75	28.25
AC19B24B21S	TM9V100C16MP12C	21.0	XAHC60G	2	900	24.0	17.8	—	14.75
AC19B24B21S	TM9V100C16MP12C	24.5	XAHD48F	1	675	20.6	14.4	18.25	26.85
AC19B24B21S	TM9V100C16MP12C	24.5	XAHD48F	2	900	23.8	18.1	—	14.50
AC19B24B21S	TM9V100C16MP12C	21.0	XAHD60G	1	675	20.8	14.8	18.50	27.35
AC19B24B21S	TM9V100C16MP12C	21.0	XAHD60G	2	900	24.0	18.5	—	14.75
AC19B24B21S	TM9Y040A10MP11	14.5	CF/CM/CU24A	1	525	19.3	14.0	17.00	24.70
AC19B24B21S	TM9Y040A10MP11	14.5	CF/CM/CU24A	2	675	22.8	17.1	17.00	13.50
AC19B24B21S	TM9Y040A10MP11	14.5	CF/CM/CU24B	1	550	19.4	14.3	16.75	24.95
AC19B24B21S	TM9Y040A10MP11	14.5	CF/CM/CU24B	2	700	22.4	17.0	16.75	13.50
AC19B24B21S	TM9Y040A10MP11	14.5	CF/CM/CU30A	1	525	19.4	14.1	17.00	24.95
AC19B24B21S	TM9Y040A10MP11	14.5	CF/CM/CU30A	2	675	22.8	16.9	17.00	13.75
AC19B24B21S	TM9Y040A10MP11	14.5	CF/CM/CU30B	1	550	19.6	14.3	17.25	25.40
AC19B24B21S	TM9Y040A10MP11	14.5	CF/CM/CU30B	2	700	23.0	17.5	17.25	13.75
AC19B24B21S	TM9Y040A10MP11	14.5	CF/CM/CU36B	1	550	19.6	14.7	17.50	25.30
AC19B24B21S	TM9Y040A10MP11	14.5	CF/CM/CU36B	2	700	23.4	17.8	17.50	14.00

SYSTEM CAPACITY - With High Efficiency Motor Furnaces¹ (Continued)

UNIT MODEL	FURNACE MODEL	WIDTH	COIL MODEL ²	STAGE	COOLING				
					RATED CFM	NET MBH		SEER	EER
						TOTAL	SENS.		
AC19B24B21S	TM9Y040A10MP11	14.5	CF/CM36A	1	525	19.5	14.2	17.25	25.05
AC19B24B21S	TM9Y040A10MP11	14.5	CF/CM36A	2	675	23.2	17.5	17.25	13.75
AC19B24B21S	TM9Y040A10MP11	14.5	CF42B	1	550	19.8	14.4	17.50	25.75
AC19B24B21S	TM9Y040A10MP11	14.5	CF42B	2	675	23.2	17.3	17.50	13.75
AC19B24B21S	TM9Y040A10MP11	17.5	XAF/XAUB36D	1	550	19.8	13.3	17.25	25.30
AC19B24B21S	TM9Y040A10MP11	17.5	XAF/XAUB36D	2	800	23.6	17.4	—	13.25
AC19B24B21S	TM9Y040A10MP11	14.5	XAFA30D	1	525	19.6	13.1	17.00	24.80
AC19B24B21S	TM9Y040A10MP11	14.5	XAFA30D	2	650	23.2	15.8	—	13.50
AC19B24B21S	TM9Y040A10MP11	17.5	XAHB36D	1	525	19.6	13.0	17.00	24.95
AC19B24B21S	TM9Y040A10MP11	17.5	XAHB36D	2	675	23.2	16.1	—	13.50
AC19B24B21S	TM9Y060B12MP11	17.5	CF/CM/CU24B	1	700	20.2	16.3	17.00	25.55
AC19B24B21S	TM9Y060B12MP11	17.5	CF/CM/CU24B	2	875	23.2	19.3	17.00	14.00
AC19B24B21S	TM9Y060B12MP11	17.5	CF/CM/CU30B	1	700	20.4	16.4	17.50	25.95
AC19B24B21S	TM9Y060B12MP11	17.5	CF/CM/CU30B	2	875	23.6	19.1	17.50	14.25
AC19B24B21S	TM9Y060B12MP11	17.5	CF/CM/CU36B	1	700	20.4	16.7	17.75	26.10
AC19B24B21S	TM9Y060B12MP11	17.5	CF/CM/CU36B	2	875	23.8	19.3	17.75	14.25
AC19B24B21S	TM9Y060B12MP11	17.5	CF/CM/CU36C	1	725	20.8	16.7	18.00	26.70
AC19B24B21S	TM9Y060B12MP11	17.5	CF/CM/CU36C	2	875	23.8	19.3	18.00	14.50
AC19B24B21S	TM9Y060B12MP11	17.5	CF/CM/CU42C	1	725	20.8	16.8	18.25	26.80
AC19B24B21S	TM9Y060B12MP11	17.5	CF/CM/CU42C	2	875	23.8	19.3	18.25	14.50
AC19B24B21S	TM9Y060B12MP11	17.5	CF/CM/CU48C	1	725	20.8	16.9	18.25	26.85
AC19B24B21S	TM9Y060B12MP11	17.5	CF/CM/CU48C	2	900	23.8	19.7	18.25	14.50
AC19B24B21S	TM9Y060B12MP11	17.5	CF/CM/CU60C	1	725	20.4	16.1	18.00	26.25
AC19B24B21S	TM9Y060B12MP11	17.5	CF/CM/CU60C	2	875	23.8	18.2	18.00	14.25
AC19B24B21S	TM9Y060B12MP11	17.5	CF/CM24C	1	700	20.2	16.3	17.25	25.65
AC19B24B21S	TM9Y060B12MP11	17.5	CF/CM24C	2	875	23.2	19.3	17.25	14.00
AC19B24B21S	TM9Y060B12MP11	17.5	CF/CM30C	1	725	20.6	16.8	17.75	26.25
AC19B24B21S	TM9Y060B12MP11	17.5	CF/CM30C	2	875	23.6	19.1	17.75	14.25
AC19B24B21S	TM9Y060B12MP11	17.5	CF/CM50C	1	700	20.6	16.6	18.25	26.55
AC19B24B21S	TM9Y060B12MP11	17.5	CF/CM50C	2	875	24.0	19.7	18.25	14.50
AC19B24B21S	TM9Y060B12MP11	17.5	CF42B	1	700	20.6	16.5	18.00	26.40
AC19B24B21S	TM9Y060B12MP11	17.5	CF42B	2	850	23.8	19.3	18.00	14.25
AC19B24B21S	TM9Y060B12MP11	17.5	XAF/XAUB36D	1	700	20.6	14.8	17.50	26.00
AC19B24B21S	TM9Y060B12MP11	17.5	XAF/XAUB36D	2	950	23.8	18.4	—	13.75
AC19B24B21S	TM9Y060B12MP11	21.0	XAF/XAUC48F	1	700	20.6	14.6	17.75	26.05
AC19B24B21S	TM9Y060B12MP11	21.0	XAF/XAUC48F	2	875	24.0	17.5	—	14.00
AC19B24B21S	TM9Y060B12MP11	21.0	XAF/XAUC60G	1	725	21.0	15.3	18.00	26.70
AC19B24B21S	TM9Y060B12MP11	21.0	XAF/XAUC60G	2	875	24.0	17.7	—	14.25
AC19B24B21S	TM9Y060B12MP11	21.0	XAFC36D	1	700	20.6	14.8	17.75	26.00
AC19B24B21S	TM9Y060B12MP11	21.0	XAFC36D	2	850	23.8	17.8	—	14.00
AC19B24B21S	TM9Y060B12MP11	17.5	XAHB36D	1	675	20.6	14.7	17.50	25.65
AC19B24B21S	TM9Y060B12MP11	17.5	XAHB36D	2	825	23.8	17.5	—	14.00
AC19B24B21S	TM9Y060B12MP11	21.0	XAHC36D	1	700	20.6	14.8	17.50	26.00
AC19B24B21S	TM9Y060B12MP11	21.0	XAHC36D	2	950	23.8	18.9	—	13.75
AC19B24B21S	TM9Y060B12MP11	21.0	XAHC48F	1	725	20.8	14.9	17.75	26.35
AC19B24B21S	TM9Y060B12MP11	21.0	XAHC48F	2	875	23.8	17.9	—	14.00
AC19B24B21S	TM9Y060B12MP11	21.0	XAHC60G	1	750	21.2	15.6	18.25	27.00
AC19B24B21S	TM9Y060B12MP11	21.0	XAHC60G	2	900	24.0	17.8	—	14.25
AC19B24B21S	TM9Y080B12MP11	17.5	CF/CM/CU24B	1	725	20.4	16.8	17.25	26.10
AC19B24B21S	TM9Y080B12MP11	17.5	CF/CM/CU24B	2	900	22.6	18.0	17.25	13.75
AC19B24B21S	TM9Y080B12MP11	17.5	CF/CM/CU30B	1	725	20.6	16.8	18.00	26.50

SYSTEM CAPACITY - With High Efficiency Motor Furnaces¹ (Continued)

UNIT MODEL	FURNACE MODEL	WIDTH	COIL MODEL ²	STAGE	COOLING				
					RATED CFM	NET MBH		SEER	EER
						TOTAL	SENS.		
AC19B24B21S	TM9Y080B12MP11	17.5	CF/CM/CU30B	2	900	23.6	19.4	18.00	14.50
AC19B24B21S	TM9Y080B12MP11	17.5	CF/CM/CU36B	1	725	20.8	16.7	18.25	27.00
AC19B24B21S	TM9Y080B12MP11	17.5	CF/CM/CU36B	2	900	23.8	19.7	18.25	14.50
AC19B24B21S	TM9Y080B12MP11	17.5	CF/CM/CU36C	1	725	20.8	16.7	18.25	27.15
AC19B24B21S	TM9Y080B12MP11	17.5	CF/CM/CU36C	2	925	23.8	19.9	18.25	14.75
AC19B24B21S	TM9Y080B12MP11	17.5	CF/CM/CU42C	1	725	20.8	16.8	18.50	27.25
AC19B24B21S	TM9Y080B12MP11	17.5	CF/CM/CU42C	2	925	23.8	19.9	18.50	14.75
AC19B24B21S	TM9Y080B12MP11	17.5	CF/CM/CU48C	1	750	21.0	17.1	18.75	27.55
AC19B24B21S	TM9Y080B12MP11	17.5	CF/CM/CU48C	2	925	23.8	19.9	18.75	14.75
AC19B24B21S	TM9Y080B12MP11	17.5	CF/CM/CU60C	1	725	20.4	16.1	18.25	26.70
AC19B24B21S	TM9Y080B12MP11	17.5	CF/CM/CU60C	2	925	23.8	19.3	18.25	14.75
AC19B24B21S	TM9Y080B12MP11	17.5	CF/CM24C	1	725	20.4	16.8	17.25	26.20
AC19B24B21S	TM9Y080B12MP11	17.5	CF/CM24C	2	925	23.0	18.4	17.25	13.75
AC19B24B21S	TM9Y080B12MP11	17.5	CF/CM30C	1	725	20.6	16.8	18.00	26.60
AC19B24B21S	TM9Y080B12MP11	17.5	CF/CM30C	2	925	23.6	19.6	18.00	14.50
AC19B24B21S	TM9Y080B12MP11	17.5	CF/CM50C	1	725	20.6	16.9	18.50	27.00
AC19B24B21S	TM9Y080B12MP11	17.5	CF/CM50C	2	900	24.0	20.0	18.50	14.50
AC19B24B21S	TM9Y080B12MP11	17.5	CF42B	1	725	20.8	16.8	18.25	27.05
AC19B24B21S	TM9Y080B12MP11	17.5	CF42B	2	875	23.8	19.3	18.25	14.50
AC19B24B21S	TM9Y080B12MP11	17.5	XAF/XAUB36D	1	725	20.8	15.1	17.75	26.30
AC19B24B21S	TM9Y080B12MP11	17.5	XAF/XAUB36D	2	875	23.8	17.8	—	14.00
AC19B24B21S	TM9Y080B12MP11	21.0	XAF/XAUC48F	1	750	20.8	15.1	18.00	26.50
AC19B24B21S	TM9Y080B12MP11	21.0	XAF/XAUC48F	2	900	24.0	17.6	—	14.25
AC19B24B21S	TM9Y080B12MP11	21.0	XAF/XAUC60G	1	750	21.2	15.6	18.25	27.00
AC19B24B21S	TM9Y080B12MP11	21.0	XAF/XAUC60G	2	925	24.0	18.0	—	14.50
AC19B24B21S	TM9Y080B12MP11	21.0	XAFC36D	1	725	20.8	15.1	17.75	26.30
AC19B24B21S	TM9Y080B12MP11	21.0	XAFC36D	2	900	23.8	18.4	—	14.25
AC19B24B21S	TM9Y080B12MP11	17.5	XAHB36D	1	700	20.6	14.8	17.75	26.00
AC19B24B21S	TM9Y080B12MP11	17.5	XAHB36D	2	850	23.8	17.7	—	14.00
AC19B24B21S	TM9Y080B12MP11	21.0	XAHC36D	1	725	20.8	15.1	17.75	26.25
AC19B24B21S	TM9Y080B12MP11	21.0	XAHC36D	2	875	23.8	18.1	—	14.00
AC19B24B21S	TM9Y080B12MP11	21.0	XAHC48F	1	775	21.0	15.3	18.00	26.75
AC19B24B21S	TM9Y080B12MP11	21.0	XAHC48F	2	925	24.0	17.8	—	14.25
AC19B24B21S	TM9Y080B12MP11	21.0	XAHC60G	1	800	21.4	16.0	18.50	27.35
AC19B24B21S	TM9Y080B12MP11	21.0	XAHC60G	2	950	24.0	18.1	—	14.50
AC19B24B21S	TM9Y080C16MP11	21.0	XAFC36D	1	650	20.6	14.5	18.00	26.75
AC19B24B21S	TM9Y080C16MP11	21.0	XAFC36D	2	950	23.8	18.3	—	14.25
AC19B24B21S	TM9Y080C16MP11	21.0	XAHC36D	1	625	20.4	14.2	18.00	26.55
AC19B24B21S	TM9Y080C16MP11	21.0	XAHC36D	2	950	23.8	18.3	—	14.25
AC19B24B21S	TM9Y100C16MP11	21.0	XAFC36D	1	625	20.4	14.1	18.25	27.05
AC19B24B21S	TM9Y100C16MP11	21.0	XAFC36D	2	950	23.8	18.2	—	14.25
AC19B24B21S	TM9Y100C16MP11	21.0	XAHC36D	1	600	20.2	13.8	18.00	26.80
AC19B24B21S	TM9Y100C16MP11	21.0	XAHC36D	2	950	23.8	18.3	—	14.25
AC19B24B21S	TMLE040A12MP11	17.5	XAF/XAUB36D	1	725	20.8	15.0	18.00	26.80
AC19B24B21S	TMLE040A12MP11	17.5	XAF/XAUB36D	2	875	23.8	18.0	—	14.50
AC19B24B21S	TMLE040A12MP11	14.5	XAFA30D	1	650	20.4	14.4	17.75	26.20
AC19B24B21S	TMLE040A12MP11	14.5	XAFA30D	2	825	23.8	17.5	—	14.25
AC19B24B21S	TMLE040A12MP11	17.5	XAHB36D	1	675	20.6	14.6	18.00	26.45
AC19B24B21S	TMLE040A12MP11	17.5	XAHB36D	2	825	23.8	17.6	—	14.25
AC19B24B21S	TMLE060A12MP11	17.5	XAF/XAUB36D	1	775	21.0	15.5	17.75	26.30
AC19B24B21S	TMLE060A12MP11	17.5	XAF/XAUB36D	2	875	23.8	18.0	—	14.25

SYSTEM CAPACITY - With High Efficiency Motor Furnaces¹ (Continued)

UNIT MODEL	FURNACE MODEL	WIDTH	COIL MODEL ²	STAGE	COOLING				
					RATED CFM	NET MBH		SEER	EER
						TOTAL	SENS.		
AC19B24B21S	TMLE060A12MP11	14.5	XAFA30D	1	725	20.8	15.1	17.50	25.75
AC19B24B21S	TMLE060A12MP11	14.5	XAFA30D	2	825	23.8	17.5	—	14.25
AC19B24B21S	TMLE060A12MP11	17.5	XAHB36D	1	725	20.8	15.1	17.50	25.80
AC19B24B21S	TMLE060A12MP11	17.5	XAHB36D	2	850	23.8	17.9	—	14.25
AC19B24B21S	TMLE080B12MP11	17.5	XAF/XAUB36D	1	750	21.0	15.4	17.75	26.35
AC19B24B21S	TMLE080B12MP11	17.5	XAF/XAUB36D	2	875	23.8	17.8	—	14.25
AC19B24B21S	TMLE080B12MP11	21.0	XAF/XAUC48F	1	775	21.0	15.4	18.00	26.55
AC19B24B21S	TMLE080B12MP11	21.0	XAF/XAUC48F	2	900	23.8	18.2	—	14.25
AC19B24B21S	TMLE080B12MP11	21.0	XAF/XAUC60G	1	775	21.2	15.7	18.25	27.05
AC19B24B21S	TMLE080B12MP11	21.0	XAF/XAUC60G	2	925	24.0	17.9	—	14.50
AC19B24B21S	TMLE080B12MP11	21.0	XAFC36D	1	750	21.0	15.4	18.00	26.35
AC19B24B21S	TMLE080B12MP11	21.0	XAFC36D	2	900	23.8	18.4	—	14.25
AC19B24B21S	TMLE080B12MP11	17.5	XAHB36D	1	725	20.8	15.1	17.75	26.05
AC19B24B21S	TMLE080B12MP11	17.5	XAHB36D	2	850	23.8	17.6	—	14.00
AC19B24B21S	TMLE080B12MP11	21.0	XAHC36D	1	750	21.0	15.4	17.75	26.30
AC19B24B21S	TMLE080B12MP11	21.0	XAHC36D	2	875	23.8	18.1	—	14.25
AC19B24B21S	TMLE080B12MP11	21.0	XAHC48F	1	800	21.0	15.5	18.25	26.80
AC19B24B21S	TMLE080B12MP11	21.0	XAHC48F	2	925	23.8	18.3	—	14.50
AC19B24B21S	TMLE080B12MP11	21.0	XAHC60G	1	825	21.4	16.2	18.25	27.35
AC19B24B21S	TMLE080B12MP11	21.0	XAHC60G	2	950	24.0	18.1	—	14.50
AC19B24B21S	TMLE080C16MP11	21.0	XAF/XAUC48F	1	825	21.2	15.8	18.00	26.75
AC19B24B21S	TMLE080C16MP11	21.0	XAF/XAUC48F	2	950	24.0	18.6	—	14.50
AC19B24B21S	TMLE080C16MP11	24.5	XAF/XAUD60G	1	825	21.4	16.2	18.50	27.15
AC19B24B21S	TMLE080C16MP11	24.5	XAF/XAUD60G	2	950	24.0	18.0	—	14.75
AC19B24B21S	TMLE080C16MP11	21.0	XAFC36D	1	800	21.0	15.7	18.00	26.55
AC19B24B21S	TMLE080C16MP11	21.0	XAFC36D	2	925	23.8	18.0	—	14.50
AC19B24B21S	TMLE080C16MP11	24.5	XAFD48F	1	825	21.2	15.8	18.00	26.75
AC19B24B21S	TMLE080C16MP11	24.5	XAFD48F	2	950	24.0	17.9	—	14.50
AC19B24B21S	TMLE080C16MP11	21.0	XAHC36D	1	800	21.0	15.7	18.00	26.45
AC19B24B21S	TMLE080C16MP11	21.0	XAHC36D	2	900	23.8	17.9	—	14.50
AC19B24B21S	TMLE080C16MP11	24.5	XAHD48F	1	825	21.2	15.8	18.00	26.75
AC19B24B21S	TMLE080C16MP11	24.5	XAHD48F	2	950	24.0	17.9	—	14.50
AC19B24B21S	TMLE080C16MP11	21.0	XAHD60G	1	825	21.4	16.2	18.25	27.10
AC19B24B21S	TMLE080C16MP11	21.0	XAHD60G	2	950	24.0	19.0	—	14.75
AC19B24B21S	TMLE100B12MP11	17.5	XAF/XAUB36D	1	725	20.8	15.1	18.00	26.50
AC19B24B21S	TMLE100B12MP11	17.5	XAF/XAUB36D	2	825	23.8	17.4	—	14.50
AC19B24B21S	TMLE100B12MP11	21.0	XAF/XAUC48F	1	750	21.0	15.2	18.00	26.80
AC19B24B21S	TMLE100B12MP11	21.0	XAF/XAUC48F	2	925	23.8	18.3	—	14.50
AC19B24B21S	TMLE100B12MP11	21.0	XAF/XAUC60G	1	750	21.2	15.5	18.25	27.25
AC19B24B21S	TMLE100B12MP11	21.0	XAF/XAUC60G	2	850	24.0	17.4	—	14.75
AC19B24B21S	TMLE100B12MP11	21.0	XAFC36D	1	725	20.8	15.1	18.00	26.55
AC19B24B21S	TMLE100B12MP11	21.0	XAFC36D	2	900	23.8	18.4	—	14.25
AC19B24B21S	TMLE100B12MP11	17.5	XAHB36D	1	700	20.6	14.8	17.75	26.20
AC19B24B21S	TMLE100B12MP11	17.5	XAHB36D	2	875	23.8	17.8	—	14.25
AC19B24B21S	TMLE100B12MP11	21.0	XAHC36D	1	725	20.8	15.1	18.00	26.50
AC19B24B21S	TMLE100B12MP11	21.0	XAHC36D	2	900	23.8	18.4	—	14.25
AC19B24B21S	TMLE100B12MP11	21.0	XAHC48F	1	775	21.0	15.3	18.25	27.05
AC19B24B21S	TMLE100B12MP11	21.0	XAHC48F	2	925	23.8	18.3	—	14.50
AC19B24B21S	TMLE100B12MP11	21.0	XAHC60G	1	800	21.4	16.0	18.50	27.75
AC19B24B21S	TMLE100B12MP11	21.0	XAHC60G	2	950	24.0	18.1	—	14.75
AC19B24B21S	TMLE100C16MP11	21.0	XAF/XAUC48F	1	800	21.0	15.5	18.25	26.75

SYSTEM CAPACITY - With High Efficiency Motor Furnaces¹ (Continued)

UNIT MODEL	FURNACE MODEL	WIDTH	COIL MODEL ²	STAGE	COOLING				
					RATED CFM	NET MBH		SEER	EER
						TOTAL	SENS.		
AC19B24B21S	TMLE100C16MP11	21.0	XAF/XAUC48F	2	925	23.8	17.9	—	14.50
AC19B24B21S	TMLE100C16MP11	21.0	XAF/XAUC60G	1	825	21.4	16.2	18.50	27.40
AC19B24B21S	TMLE100C16MP11	21.0	XAF/XAUC60G	2	950	24.0	18.9	—	14.75
AC19B24B21S	TMLE100C16MP11	24.5	XAF/XAUD60G	1	825	21.4	16.2	18.50	27.35
AC19B24B21S	TMLE100C16MP11	24.5	XAF/XAUD60G	2	950	24.0	18.0	—	14.75
AC19B24B21S	TMLE100C16MP11	21.0	XAFC36D	1	800	21.2	15.8	18.00	26.70
AC19B24B21S	TMLE100C16MP11	21.0	XAFC36D	2	925	23.8	18.0	—	14.50
AC19B24B21S	TMLE100C16MP11	24.5	XAFD48F	1	800	21.0	15.5	18.25	26.75
AC19B24B21S	TMLE100C16MP11	24.5	XAFD48F	2	925	23.8	18.3	—	14.50
AC19B24B21S	TMLE100C16MP11	21.0	XAHC36D	1	775	21.0	15.5	18.00	26.50
AC19B24B21S	TMLE100C16MP11	21.0	XAHC36D	2	900	23.8	17.9	—	14.50
AC19B24B21S	TMLE100C16MP11	21.0	XAHC48F	1	825	21.2	15.8	18.25	27.10
AC19B24B21S	TMLE100C16MP11	21.0	XAHC48F	2	950	24.0	18.6	—	14.75
AC19B24B21S	TMLE100C16MP11	24.5	XAHD48F	1	800	21.0	15.5	18.25	26.75
AC19B24B21S	TMLE100C16MP11	24.5	XAHD48F	2	925	23.8	18.3	—	14.50
AC19B24B21S	TMLE100C16MP11	21.0	XAHD60G	1	800	21.2	15.9	18.50	27.15
AC19B24B21S	TMLE100C16MP11	21.0	XAHD60G	2	925	24.0	18.8	—	14.75
AC19B24B21S	TMLE120C16MP11	21.0	XAF/XAUC48F	1	825	21.2	15.8	18.25	26.90
AC19B24B21S	TMLE120C16MP11	21.0	XAF/XAUC48F	2	950	24.0	18.6	—	14.75
AC19B24B21S	TMLE120C16MP11	24.5	XAF/XAUD60G	1	825	21.4	16.2	18.50	27.30
AC19B24B21S	TMLE120C16MP11	24.5	XAF/XAUD60G	2	950	24.0	18.0	—	14.75
AC19B24B21S	TMLE120C16MP11	21.0	XAFC36D	1	800	21.2	15.8	18.00	26.70
AC19B24B21S	TMLE120C16MP11	21.0	XAFC36D	2	925	23.8	18.0	—	14.50
AC19B24B21S	TMLE120C16MP11	24.5	XAFD48F	1	825	21.2	15.8	18.25	26.90
AC19B24B21S	TMLE120C16MP11	24.5	XAFD48F	2	950	24.0	17.8	—	14.75
AC19B24B21S	TMLE120C16MP11	21.0	XAHC36D	1	775	21.0	15.5	18.00	26.50
AC19B24B21S	TMLE120C16MP11	21.0	XAHC36D	2	900	23.8	17.9	—	14.50
AC19B24B21S	TMLE120C16MP11	24.5	XAHD48F	1	825	21.2	15.8	18.25	26.90
AC19B24B21S	TMLE120C16MP11	24.5	XAHD48F	2	950	24.0	17.8	—	14.75
AC19B24B21S	TMLE120C16MP11	21.0	XAHD60G	1	825	21.4	16.2	18.50	27.25
AC19B24B21S	TMLE120C16MP11	21.0	XAHD60G	2	950	24.0	19.0	—	14.75
AC19B24B21S	TMLV080B12MP11C	17.5	CF42B	1	600	20.2	15.1	18.25	26.90
AC19B24B21S	TMLV080B12MP11C	17.5	CF42B	2	900	23.8	19.5	18.25	14.25
AC19B24B21S	TMLV080B12MP12C	17.5	CF42B	1	600	20.2	15.1	18.25	26.90
AC19B24B21S	TMLV080B12MP12C	17.5	CF42B	2	900	23.8	19.5	18.25	14.25
AC19B24B21S	TMLV100C16MP12C	21.0	XAF/XAUC60G	1	625	20.6	14.3	18.50	27.70
AC19B24B21S	TMLV100C16MP12C	21.0	XAF/XAUC60G	2	875	24.0	17.7	—	14.75
AC19B24B21S	TMLV100C16MP12C	21.0	XAHC48F	1	625	20.4	14.0	18.50	27.40
AC19B24B21S	TMLV100C16MP12C	21.0	XAHC48F	2	875	23.8	17.5	—	14.75
AC19B24B21S	TMLV100C16MP12C	21.0	XAHC60G	1	675	21.0	14.8	18.75	28.35
AC19B24B21S	TMLV100C16MP12C	21.0	XAHC60G	2	950	24.0	18.2	—	14.75
AC19B24B21S	TMLX060A12MP11	14.5	CF/CM/CU24A	1	650	20.0	15.8	17.00	25.65
AC19B24B21S	TMLX060A12MP11	14.5	CF/CM/CU24A	2	750	22.8	17.7	17.00	14.00
AC19B24B21S	TMLX060A12MP11	14.5	CF/CM/CU24B	1	650	20.0	15.8	17.25	25.80
AC19B24B21S	TMLX060A12MP11	14.5	CF/CM/CU24B	2	725	22.8	17.5	17.25	14.25
AC19B24B21S	TMLX060A12MP11	14.5	CF/CM/CU30A	1	650	20.2	15.7	17.50	25.95
AC19B24B21S	TMLX060A12MP11	14.5	CF/CM/CU30A	2	750	23.4	18.0	17.50	14.25
AC19B24B21S	TMLX060A12MP11	14.5	CF/CM/CU30B	1	650	20.2	15.7	18.00	26.25
AC19B24B21S	TMLX060A12MP11	14.5	CF/CM/CU30B	2	725	23.8	18.1	18.00	14.50
AC19B24B21S	TMLX060A12MP11	14.5	CF/CM/CU36B	1	650	20.4	15.8	18.25	26.45
AC19B24B21S	TMLX060A12MP11	14.5	CF/CM/CU36B	2	725	23.8	18.4	18.25	14.50

SYSTEM CAPACITY - With High Efficiency Motor Furnaces¹ (Continued)

UNIT MODEL	FURNACE MODEL	WIDTH	COIL MODEL ²	STAGE	COOLING				
					RATED CFM	NET MBH		SEER	EER
						TOTAL	SENS.		
AC19B24B21S	TMLX060A12MP11	14.5	CF/CM36A	1	650	20.4	15.8	18.00	26.35
AC19B24B21S	TMLX060A12MP11	14.5	CF/CM36A	2	775	23.8	18.8	18.00	14.25
AC19B24B21S	TMLX060A12MP11	14.5	CF42B	1	650	20.4	15.8	18.25	26.70
AC19B24B21S	TMLX060A12MP11	14.5	CF42B	2	725	24.0	18.0	18.25	14.75
AC19B24B21S	TMLX080B12MP11	17.5	CF/CM/CU24B	1	675	20.2	16.1	17.75	26.05
AC19B24B21S	TMLX080B12MP11	17.5	CF/CM/CU24B	2	775	23.6	18.6	17.75	14.50
AC19B24B21S	TMLX080B12MP11	17.5	CF/CM/CU30B	1	675	20.2	16.2	18.25	26.30
AC19B24B21S	TMLX080B12MP11	17.5	CF/CM/CU30B	2	775	24.0	18.9	18.25	14.75
AC19B24B21S	TMLX080B12MP11	17.5	CF/CM/CU36B	1	675	20.4	16.0	18.25	26.70
AC19B24B21S	TMLX080B12MP11	17.5	CF/CM/CU36B	2	775	24.0	18.9	18.25	14.75
AC19B24B21S	TMLX080B12MP11	17.5	CF/CM/CU36C	1	700	20.6	16.6	18.50	27.05
AC19B24B21S	TMLX080B12MP11	17.5	CF/CM/CU36C	2	850	23.8	19.2	18.50	14.75
AC19B24B21S	TMLX080B12MP11	17.5	CF/CM/CU42C	1	725	20.8	16.8	18.75	27.60
AC19B24B21S	TMLX080B12MP11	17.5	CF/CM/CU42C	2	850	23.8	19.3	18.75	14.75
AC19B24B21S	TMLX080B12MP11	17.5	CF/CM/CU48C	1	700	20.8	16.4	18.75	27.60
AC19B24B21S	TMLX080B12MP11	17.5	CF/CM/CU48C	2	800	24.0	18.8	18.75	15.25
AC19B24B21S	TMLX080B12MP11	17.5	CF/CM/CU60C	1	725	20.4	16.1	18.50	27.05
AC19B24B21S	TMLX080B12MP11	17.5	CF/CM/CU60C	2	850	23.8	18.6	18.50	14.75
AC19B24B21S	TMLX080B12MP11	17.5	CF/CM24C	1	700	20.2	16.3	17.50	26.40
AC19B24B21S	TMLX080B12MP11	17.5	CF/CM24C	2	850	23.2	19.0	17.50	14.25
AC19B24B21S	TMLX080B12MP11	17.5	CF/CM30C	1	700	20.4	16.3	18.00	26.85
AC19B24B21S	TMLX080B12MP11	17.5	CF/CM30C	2	850	23.6	19.2	18.00	14.50
AC19B24B21S	TMLX080B12MP11	17.5	CF/CM50C	1	700	20.6	16.5	18.75	27.40
AC19B24B21S	TMLX080B12MP11	17.5	CF/CM50C	2	850	24.0	19.5	18.75	15.00
AC19B24B21S	TMLX080B12MP11	17.5	CF42B	1	675	20.6	16.3	18.50	26.90
AC19B24B21S	TMLX080B12MP11	17.5	CF42B	2	750	24.0	18.6	18.50	14.75
AC19B24B21S	TP9C060B12MP13C	17.5	CF/CM/CU24B	1	575	19.6	14.7	17.25	26.10
AC19B24B21S	TP9C060B12MP13C	17.5	CF/CM/CU24B	2	875	23.2	19.4	17.25	14.00
AC19B24B21S	TP9C060B12MP13C	17.5	XAF/XAUB36D	1	575	20.0	13.6	17.75	26.15
AC19B24B21S	TP9C060B12MP13C	17.5	XAF/XAUB36D	2	875	23.8	17.9	—	14.00
AC19B24B21S	TP9C060B12MP13C	21.0	XAF/XAUC48F	1	575	20.0	13.4	17.75	26.35
AC19B24B21S	TP9C060B12MP13C	21.0	XAF/XAUC48F	2	875	24.0	17.5	—	14.00
AC19B24B21S	TP9C060B12MP13C	21.0	XAF/XAUC60G	1	575	20.4	13.8	18.25	27.10
AC19B24B21S	TP9C060B12MP13C	21.0	XAF/XAUC60G	2	875	24.0	17.7	—	14.25
AC19B24B21S	TP9C060B12MP13C	21.0	XAFC36D	1	575	20.0	13.6	17.75	26.25
AC19B24B21S	TP9C060B12MP13C	21.0	XAFC36D	2	875	23.8	18.1	—	14.00
AC19B24B21S	TP9C060B12MP13C	17.5	XAHB36D	1	575	20.0	13.6	17.50	25.90
AC19B24B21S	TP9C060B12MP13C	17.5	XAHB36D	2	875	23.8	17.9	—	13.75
AC19B24B21S	TP9C060B12MP13C	21.0	XAHC36D	1	575	20.0	13.6	17.75	26.15
AC19B24B21S	TP9C060B12MP13C	21.0	XAHC36D	2	875	23.8	18.2	—	14.00
AC19B24B21S	TP9C060B12MP13C	21.0	XAHC48F	1	575	20.2	13.5	18.00	26.80
AC19B24B21S	TP9C060B12MP13C	21.0	XAHC48F	2	875	23.8	17.9	—	14.25
AC19B24B21S	TP9C060B12MP13C	21.0	XAHC60G	1	575	20.4	13.8	18.50	27.65
AC19B24B21S	TP9C060B12MP13C	21.0	XAHC60G	2	850	24.0	17.5	—	14.50
AC19B24B21S	TP9C080B12MP13C	17.5	XAF/XAUB36D	1	625	20.4	14.2	18.00	26.60
AC19B24B21S	TP9C080B12MP13C	17.5	XAF/XAUB36D	2	875	23.8	17.8	—	14.25
AC19B24B21S	TP9C080B12MP13C	21.0	XAF/XAUC48F	1	675	20.6	14.4	18.00	26.75
AC19B24B21S	TP9C080B12MP13C	21.0	XAF/XAUC48F	2	950	24.0	18.0	—	14.00
AC19B24B21S	TP9C080B12MP13C	21.0	XAF/XAUC60G	1	600	20.4	14.0	18.50	27.35
AC19B24B21S	TP9C080B12MP13C	21.0	XAF/XAUC60G	2	850	24.0	17.4	—	14.50
AC19B24B21S	TP9C080B12MP13C	21.0	XAFC36D	1	575	20.2	13.7	18.00	26.55

SYSTEM CAPACITY - With High Efficiency Motor Furnaces¹ (Continued)

UNIT MODEL	FURNACE MODEL	WIDTH	COIL MODEL ²	STAGE	COOLING				
					RATED CFM	NET MBH		SEER	EER
						TOTAL	SENS.		
AC19B24B21S	TP9C080B12MP13C	21.0	XAFC36D	2	800	23.8	17.4	—	14.25
AC19B24B21S	TP9C080B12MP13C	17.5	XAHB36D	1	575	20.0	13.6	17.75	26.20
AC19B24B21S	TP9C080B12MP13C	17.5	XAHB36D	2	800	23.8	17.3	—	14.25
AC19B24B21S	TP9C080B12MP13C	21.0	XAHC36D	1	575	20.2	13.7	18.00	26.45
AC19B24B21S	TP9C080B12MP13C	21.0	XAHC36D	2	800	23.8	17.4	—	14.25
AC19B24B21S	TP9C080B12MP13C	21.0	XAHC48F	1	600	20.2	13.7	18.25	27.10
AC19B24B21S	TP9C080B12MP13C	21.0	XAHC48F	2	850	24.0	17.2	—	14.50
AC19B24B21S	TP9C080B12MP13C	21.0	XAHC60G	1	600	20.6	14.1	18.50	27.85
AC19B24B21S	TP9C080B12MP13C	21.0	XAHC60G	2	850	24.0	17.4	—	14.75
AC19B24B21S	TP9C080C16MP13C	21.0	CF/CM/CU36C	1	625	20.4	15.6	18.50	27.45
AC19B24B21S	TP9C080C16MP13C	21.0	CF/CM/CU36C	2	950	23.8	20.2	18.50	14.75
AC19B24B21S	TP9C080C16MP13C	21.0	CF/CM/CU42C	1	625	20.4	15.6	18.75	27.60
AC19B24B21S	TP9C080C16MP13C	21.0	CF/CM/CU42C	2	950	23.8	20.0	18.75	14.75
AC19B24B21S	TP9C080C16MP13C	21.0	CF/CM/CU48C	1	625	20.4	15.9	19.00	27.65
AC19B24B21S	TP9C080C16MP13C	21.0	CF/CM/CU48C	2	950	23.8	19.9	19.00	15.00
AC19B24B21S	TP9C080C16MP13C	21.0	CF/CM/CU48D	1	625	20.4	15.9	18.75	27.60
AC19B24B21S	TP9C080C16MP13C	21.0	CF/CM/CU48D	2	950	23.8	19.9	18.75	14.75
AC19B24B21S	TP9C080C16MP13C	21.0	CF/CM/CU60C	1	625	20.0	14.9	18.25	27.05
AC19B24B21S	TP9C080C16MP13C	21.0	CF/CM/CU60C	2	950	23.8	18.9	18.25	14.75
AC19B24B21S	TP9C080C16MP13C	21.0	CF/CM/CU60D	1	625	20.0	14.9	18.00	27.10
AC19B24B21S	TP9C080C16MP13C	21.0	CF/CM/CU60D	2	950	23.8	18.9	18.00	14.75
AC19B24B21S	TP9C080C16MP13C	21.0	CF/CM30C	1	625	20.2	15.5	18.25	27.05
AC19B24B21S	TP9C080C16MP13C	21.0	CF/CM30C	2	950	23.6	20.0	18.25	14.50
AC19B24B21S	TP9C080C16MP13C	21.0	CF/CM36D	1	625	20.4	15.6	18.50	27.45
AC19B24B21S	TP9C080C16MP13C	21.0	CF/CM36D	2	950	23.8	20.2	18.50	14.75
AC19B24B21S	TP9C080C16MP13C	21.0	CF/CM42D	1	625	20.4	15.6	18.75	27.65
AC19B24B21S	TP9C080C16MP13C	21.0	CF/CM42D	2	950	23.8	20.0	18.75	14.75
AC19B24B21S	TP9C080C16MP13C	21.0	XAHC60G	1	650	20.8	14.5	18.50	28.15
AC19B24B21S	TP9C080C16MP13C	21.0	XAHC60G	2	950	24.0	18.2	—	14.75
AC19B24B21S	TP9C100C16MP12C	21.0	CF/CM/CU36C	1	675	20.6	16.2	18.50	27.65
AC19B24B21S	TP9C100C16MP12C	21.0	CF/CM/CU36C	2	900	23.8	19.7	18.50	15.00
AC19B24B21S	TP9C100C16MP12C	21.0	CF/CM/CU42C	1	675	20.6	16.3	18.75	27.80
AC19B24B21S	TP9C100C16MP12C	21.0	CF/CM/CU42C	2	900	23.8	19.6	18.75	15.00
AC19B24B21S	TP9C100C16MP12C	21.0	CF/CM/CU48C	1	675	20.8	16.4	19.25	28.05
AC19B24B21S	TP9C100C16MP12C	21.0	CF/CM/CU48C	2	900	23.8	19.6	19.25	15.25
AC19B24B21S	TP9C100C16MP12C	21.0	CF/CM30C	1	675	20.2	16.1	18.25	27.10
AC19B24B21S	TP9C100C16MP12C	21.0	CF/CM30C	2	900	23.6	19.3	18.25	14.75
AC19B24B21S	TP9C100C16MP13C	21.0	CF/CM/CU30C	1	675	20.2	16.1	18.25	27.10
AC19B24B21S	TP9C100C16MP13C	21.0	CF/CM/CU30C	2	900	23.6	19.3	18.25	14.75
AC19B24B21S	TP9C100C16MP13C	21.0	CF/CM/CU36C	1	675	20.6	16.2	18.50	27.65
AC19B24B21S	TP9C100C16MP13C	21.0	CF/CM/CU36C	2	900	23.8	19.7	18.50	15.00
AC19B24B21S	TP9C100C16MP13C	21.0	CF/CM/CU42C	1	675	20.6	16.3	18.75	27.80
AC19B24B21S	TP9C100C16MP13C	21.0	CF/CM/CU42C	2	900	23.8	19.6	18.75	15.00
AC19B24B21S	TP9C100C16MP13C	21.0	CF/CM/CU48C	1	675	20.8	16.4	19.25	28.05
AC19B24B21S	TP9C100C16MP13C	21.0	CF/CM/CU48C	2	900	23.8	19.6	19.25	15.25
AC19B24B21S	TP9C100C16MP13C	21.0	XAF/XAUC48F	1	675	20.6	14.4	18.25	26.95
AC19B24B21S	TP9C100C16MP13C	21.0	XAF/XAUC48F	2	900	23.8	17.7	—	14.50
AC19B24B21S	TP9C100C16MP13C	21.0	XAF/XAUC60G	1	675	20.8	14.7	18.50	27.70
AC19B24B21S	TP9C100C16MP13C	21.0	XAF/XAUC60G	2	900	24.0	17.9	—	14.75
AC19B24B21S	TP9C100C16MP13C	24.5	XAF/XAUD60G	1	675	20.8	14.7	18.50	27.50
AC19B24B21S	TP9C100C16MP13C	24.5	XAF/XAUD60G	2	900	24.0	17.7	—	14.75

SYSTEM CAPACITY - With High Efficiency Motor Furnaces¹ (Continued)

UNIT MODEL	FURNACE MODEL	WIDTH	COIL MODEL ²	STAGE	COOLING				
					RATED CFM	NET MBH		SEER	EER
						TOTAL	SENS.		
AC19B24B21S	TP9C100C16MP13C	21.0	XAFC36D	1	675	20.6	14.6	18.00	26.80
AC19B24B21S	TP9C100C16MP13C	21.0	XAFC36D	2	900	23.8	17.9	—	14.50
AC19B24B21S	TP9C100C16MP13C	24.5	XAFD48F	1	675	20.6	14.4	18.25	26.90
AC19B24B21S	TP9C100C16MP13C	24.5	XAFD48F	2	900	23.8	18.1	—	14.50
AC19B24B21S	TP9C100C16MP13C	21.0	XAHC36D	1	675	20.6	14.6	18.00	26.65
AC19B24B21S	TP9C100C16MP13C	21.0	XAHC36D	2	900	23.8	17.9	—	14.50
AC19B24B21S	TP9C100C16MP13C	21.0	XAHC48F	1	675	20.6	14.4	18.50	27.40
AC19B24B21S	TP9C100C16MP13C	21.0	XAHC48F	2	900	23.8	17.7	—	14.75
AC19B24B21S	TP9C100C16MP13C	21.0	XAHC60G	1	675	21.0	14.8	18.75	28.25
AC19B24B21S	TP9C100C16MP13C	21.0	XAHC60G	2	900	24.0	17.8	—	14.75
AC19B24B21S	TP9C100C16MP13C	24.5	XAHD48F	1	675	20.6	14.4	18.25	26.85
AC19B24B21S	TP9C100C16MP13C	24.5	XAHD48F	2	900	23.8	18.1	—	14.50
AC19B24B21S	TP9C100C16MP13C	21.0	XAHD60G	1	675	20.8	14.8	18.50	27.35
AC19B24B21S	TP9C100C16MP13C	21.0	XAHD60G	2	900	24.0	18.5	—	14.75
AC19B24B21S	TPLC080B12MP12C	17.5	CF42B	1	600	20.2	15.1	18.25	26.90
AC19B24B21S	TPLC080B12MP12C	17.5	CF42B	2	900	23.8	19.5	18.25	14.25
AC19B24B21S	TPLC080B12MP13C	17.5	CF42B	1	600	20.2	15.1	18.25	26.90
AC19B24B21S	TPLC080B12MP13C	17.5	CF42B	2	900	23.8	19.5	18.25	14.25
AC19B24B21S	TPLC080B12MP13C	17.5	XAF/XAUB36D	1	600	20.2	13.9	17.75	26.10
AC19B24B21S	TPLC080B12MP13C	17.5	XAF/XAUB36D	2	900	23.8	18.1	—	13.75
AC19B24B21S	TPLC080B12MP13C	21.0	XAF/XAUC48F	1	600	20.2	13.7	17.75	26.30
AC19B24B21S	TPLC080B12MP13C	21.0	XAF/XAUC48F	2	900	24.0	17.7	—	14.00
AC19B24B21S	TPLC080B12MP13C	21.0	XAF/XAUC60G	1	600	20.4	14.0	18.25	26.95
AC19B24B21S	TPLC080B12MP13C	21.0	XAF/XAUC60G	2	875	24.0	17.7	—	14.25
AC19B24B21S	TPLC080B12MP13C	21.0	XAFC36D	1	600	20.2	13.9	17.75	26.15
AC19B24B21S	TPLC080B12MP13C	21.0	XAFC36D	2	900	23.8	18.3	—	13.75
AC19B24B21S	TPLC080B12MP13C	17.5	XAHB36D	1	550	19.9	13.4	17.50	25.70
AC19B24B21S	TPLC080B12MP13C	17.5	XAHB36D	2	825	23.8	17.6	—	13.75
AC19B24B21S	TPLC080B12MP13C	21.0	XAHC36D	1	550	19.9	13.4	17.50	25.90
AC19B24B21S	TPLC080B12MP13C	21.0	XAHC36D	2	825	23.8	17.7	—	14.00
AC19B24B21S	TPLC080B12MP13C	21.0	XAHC48F	1	600	20.2	13.7	18.00	26.70
AC19B24B21S	TPLC080B12MP13C	21.0	XAHC48F	2	875	24.0	17.5	—	14.00
AC19B24B21S	TPLC080B12MP13C	21.0	XAHC60G	1	600	20.4	14.0	18.50	27.50
AC19B24B21S	TPLC080B12MP13C	21.0	XAHC60G	2	875	24.0	17.7	—	14.25
AC19B24B21S	TPLC080C16MP13C	21.0	XAF/XAUC60G	1	625	20.6	14.3	18.50	27.70
AC19B24B21S	TPLC080C16MP13C	21.0	XAF/XAUC60G	2	875	24.0	17.7	—	14.75
AC19B24B21S	TPLC080C16MP13C	21.0	XAHC48F	1	625	20.4	14.0	18.50	27.40
AC19B24B21S	TPLC080C16MP13C	21.0	XAHC48F	2	875	23.8	17.5	—	14.75
AC19B24B21S	TPLC080C16MP13C	21.0	XAHC60G	1	675	21.0	14.8	18.75	28.35
AC19B24B21S	TPLC080C16MP13C	21.0	XAHC60G	2	950	24.0	18.2	—	14.75
AC19B24B21S	TPLC100C16MP13C	21.0	XAF/XAUC60G	1	625	20.6	14.3	18.50	27.70
AC19B24B21S	TPLC100C16MP13C	21.0	XAF/XAUC60G	2	875	24.0	17.7	—	14.75
AC19B24B21S	TPLC100C16MP13C	21.0	XAHC48F	1	625	20.4	14.0	18.50	27.40
AC19B24B21S	TPLC100C16MP13C	21.0	XAHC48F	2	875	23.8	17.5	—	14.75
AC19B24B21S	TPLC100C16MP13C	21.0	XAHC60G	1	675	21.0	14.8	18.75	28.35
AC19B24B21S	TPLC100C16MP13C	21.0	XAHC60G	2	950	24.0	18.2	—	14.75
AC19B24B21S	CP9C060B12MP13C	17.5	CF/CM/CU24B	1	575	19.6	14.7	17.25	26.10
AC19B24B21S	CP9C060B12MP13C	17.5	CF/CM/CU24B	2	875	23.2	19.4	17.25	14.00
AC19B24B21S	CP9C060B12MP13C	17.5	XAF/XAUB36D	1	575	20.0	13.6	17.75	26.15
AC19B24B21S	CP9C060B12MP13C	17.5	XAF/XAUB36D	2	875	23.8	17.9	—	14.00
AC19B24B21S	CP9C060B12MP13C	21.0	XAF/XAUC48F	1	575	20.0	13.4	17.75	26.35

SYSTEM CAPACITY - With High Efficiency Motor Furnaces¹ (Continued)

UNIT MODEL	FURNACE MODEL	WIDTH	COIL MODEL ²	STAGE	COOLING				
					RATED CFM	NET MBH		SEER	EER
						TOTAL	SENS.		
AC19B24B21S	CP9C060B12MP13C	21.0	XAF/XAUC48F	2	875	24.0	17.5	—	14.00
AC19B24B21S	CP9C060B12MP13C	21.0	XAF/XAUC60G	1	575	20.4	13.8	18.25	27.10
AC19B24B21S	CP9C060B12MP13C	21.0	XAF/XAUC60G	2	875	24.0	17.7	—	14.25
AC19B24B21S	CP9C060B12MP13C	21.0	XAFC36D	1	575	20.0	13.6	17.75	26.25
AC19B24B21S	CP9C060B12MP13C	21.0	XAFC36D	2	875	23.8	18.1	—	14.00
AC19B24B21S	CP9C060B12MP13C	17.5	XAHB36D	1	575	20.0	13.6	17.50	25.90
AC19B24B21S	CP9C060B12MP13C	17.5	XAHB36D	2	875	23.8	17.9	—	13.75
AC19B24B21S	CP9C060B12MP13C	21.0	XAHC36D	1	575	20.0	13.6	17.75	26.15
AC19B24B21S	CP9C060B12MP13C	21.0	XAHC36D	2	875	23.8	18.2	—	14.00
AC19B24B21S	CP9C060B12MP13C	21.0	XAHC48F	1	575	20.2	13.5	18.00	26.80
AC19B24B21S	CP9C060B12MP13C	21.0	XAHC48F	2	875	23.8	17.9	—	14.25
AC19B24B21S	CP9C060B12MP13C	21.0	XAHC60G	1	575	20.4	13.8	18.50	27.65
AC19B24B21S	CP9C060B12MP13C	21.0	XAHC60G	2	850	24.0	17.5	—	14.50
AC19B24B21S	CP9C080B12MP13C	17.5	XAF/XAUB36D	1	625	20.4	14.2	18.00	26.60
AC19B24B21S	CP9C080B12MP13C	17.5	XAF/XAUB36D	2	875	23.8	17.8	—	14.25
AC19B24B21S	CP9C080B12MP13C	21.0	XAF/XAUC48F	1	675	20.6	14.4	18.00	26.75
AC19B24B21S	CP9C080B12MP13C	21.0	XAF/XAUC48F	2	950	24.0	18.0	—	14.00
AC19B24B21S	CP9C080B12MP13C	21.0	XAF/XAUC60G	1	600	20.4	14.0	18.50	27.35
AC19B24B21S	CP9C080B12MP13C	21.0	XAF/XAUC60G	2	850	24.0	17.4	—	14.50
AC19B24B21S	CP9C080B12MP13C	21.0	XAFC36D	1	575	20.2	13.7	18.00	26.55
AC19B24B21S	CP9C080B12MP13C	21.0	XAFC36D	2	800	23.8	17.4	—	14.25
AC19B24B21S	CP9C080B12MP13C	17.5	XAHB36D	1	575	20.0	13.6	17.75	26.20
AC19B24B21S	CP9C080B12MP13C	17.5	XAHB36D	2	800	23.8	17.3	—	14.25
AC19B24B21S	CP9C080B12MP13C	21.0	XAHC36D	1	575	20.2	13.7	18.00	26.45
AC19B24B21S	CP9C080B12MP13C	21.0	XAHC36D	2	800	23.8	17.4	—	14.25
AC19B24B21S	CP9C080B12MP13C	21.0	XAHC48F	1	600	20.2	13.7	18.25	27.10
AC19B24B21S	CP9C080B12MP13C	21.0	XAHC48F	2	850	24.0	17.2	—	14.50
AC19B24B21S	CP9C080B12MP13C	21.0	XAHC60G	1	600	20.6	14.1	18.50	27.85
AC19B24B21S	CP9C080B12MP13C	21.0	XAHC60G	2	850	24.0	17.4	—	14.75
AC19B24B21S	CP9C080C16MP13C	21.0	CF/CM/CU36C	1	625	20.4	15.6	18.50	27.45
AC19B24B21S	CP9C080C16MP13C	21.0	CF/CM/CU36C	2	950	23.8	20.2	18.50	14.75
AC19B24B21S	CP9C080C16MP13C	21.0	CF/CM/CU42C	1	625	20.4	15.6	18.75	27.60
AC19B24B21S	CP9C080C16MP13C	21.0	CF/CM/CU42C	2	950	23.8	20.0	18.75	14.75
AC19B24B21S	CP9C080C16MP13C	21.0	CF/CM/CU48C	1	625	20.4	15.9	19.00	27.65
AC19B24B21S	CP9C080C16MP13C	21.0	CF/CM/CU48C	2	950	23.8	19.9	19.00	15.00
AC19B24B21S	CP9C080C16MP13C	21.0	CF/CM/CU48D	1	625	20.4	15.9	18.75	27.60
AC19B24B21S	CP9C080C16MP13C	21.0	CF/CM/CU48D	2	950	23.8	19.9	18.75	14.75
AC19B24B21S	CP9C080C16MP13C	21.0	CF/CM/CU60C	1	625	20.0	14.9	18.25	27.05
AC19B24B21S	CP9C080C16MP13C	21.0	CF/CM/CU60C	2	950	23.8	18.9	18.25	14.75
AC19B24B21S	CP9C080C16MP13C	21.0	CF/CM/CU60D	1	625	20.0	14.9	18.00	27.10
AC19B24B21S	CP9C080C16MP13C	21.0	CF/CM/CU60D	2	950	23.8	18.9	18.00	14.75
AC19B24B21S	CP9C080C16MP13C	21.0	CF/CM30C	1	625	20.2	15.5	18.25	27.05
AC19B24B21S	CP9C080C16MP13C	21.0	CF/CM30C	2	950	23.6	20.0	18.25	14.50
AC19B24B21S	CP9C080C16MP13C	21.0	CF/CM36D	1	625	20.4	15.6	18.50	27.45
AC19B24B21S	CP9C080C16MP13C	21.0	CF/CM36D	2	950	23.8	20.2	18.50	14.75
AC19B24B21S	CP9C080C16MP13C	21.0	CF/CM42D	1	625	20.4	15.6	18.75	27.65
AC19B24B21S	CP9C080C16MP13C	21.0	CF/CM42D	2	950	23.8	20.0	18.75	14.75
AC19B24B21S	CP9C080C16MP13C	21.0	XAHC60G	1	650	20.8	14.5	18.50	28.15
AC19B24B21S	CP9C080C16MP13C	21.0	XAHC60G	2	950	24.0	18.2	—	14.75
AC19B24B21S	CP9C100C16MP12C	21.0	CF/CM/CU36C	1	675	20.6	16.2	18.50	27.65
AC19B24B21S	CP9C100C16MP12C	21.0	CF/CM/CU36C	2	900	23.8	19.7	18.50	15.00

SYSTEM CAPACITY - With High Efficiency Motor Furnaces¹ (Continued)

UNIT MODEL	FURNACE MODEL	WIDTH	COIL MODEL ²	STAGE	COOLING				
					RATED CFM	NET MBH		SEER	EER
						TOTAL	SENS.		
AC19B24B21S	CP9C100C16MP12C	21.0	CF/CM/CU42C	1	675	20.6	16.3	18.75	27.80
AC19B24B21S	CP9C100C16MP12C	21.0	CF/CM/CU42C	2	900	23.8	19.6	18.75	15.00
AC19B24B21S	CP9C100C16MP12C	21.0	CF/CM/CU48C	1	675	20.8	16.4	19.25	28.05
AC19B24B21S	CP9C100C16MP12C	21.0	CF/CM/CU48C	2	900	23.8	19.6	19.25	15.25
AC19B24B21S	CP9C100C16MP12C	21.0	CF/CM30C	1	675	20.2	16.1	18.25	27.10
AC19B24B21S	CP9C100C16MP12C	21.0	CF/CM30C	2	900	23.6	19.3	18.25	14.75
AC19B24B21S	CP9C100C16MP13C	21.0	CF/CM/CU30C	1	675	20.2	16.1	18.25	27.10
AC19B24B21S	CP9C100C16MP13C	21.0	CF/CM/CU30C	2	900	23.6	19.3	18.25	14.75
AC19B24B21S	CP9C100C16MP13C	21.0	CF/CM/CU36C	1	675	20.6	16.2	18.50	27.65
AC19B24B21S	CP9C100C16MP13C	21.0	CF/CM/CU36C	2	900	23.8	19.7	18.50	15.00
AC19B24B21S	CP9C100C16MP13C	21.0	CF/CM/CU42C	1	675	20.6	16.3	18.75	27.80
AC19B24B21S	CP9C100C16MP13C	21.0	CF/CM/CU42C	2	900	23.8	19.6	18.75	15.00
AC19B24B21S	CP9C100C16MP13C	21.0	CF/CM/CU48C	1	675	20.8	16.4	19.25	28.05
AC19B24B21S	CP9C100C16MP13C	21.0	CF/CM/CU48C	2	900	23.8	19.6	19.25	15.25
AC19B24B21S	CP9C100C16MP13C	21.0	XAF/XAUC48F	1	675	20.6	14.4	18.25	26.95
AC19B24B21S	CP9C100C16MP13C	21.0	XAF/XAUC48F	2	900	23.8	17.7	—	14.50
AC19B24B21S	CP9C100C16MP13C	21.0	XAF/XAUC60G	1	675	20.8	14.7	18.50	27.70
AC19B24B21S	CP9C100C16MP13C	21.0	XAF/XAUC60G	2	900	24.0	17.9	—	14.75
AC19B24B21S	CP9C100C16MP13C	24.5	XAF/XAUD60G	1	675	20.8	14.7	18.50	27.50
AC19B24B21S	CP9C100C16MP13C	24.5	XAF/XAUD60G	2	900	24.0	17.7	—	14.75
AC19B24B21S	CP9C100C16MP13C	21.0	XAFC36D	1	675	20.6	14.6	18.00	26.80
AC19B24B21S	CP9C100C16MP13C	21.0	XAFC36D	2	900	23.8	17.9	—	14.50
AC19B24B21S	CP9C100C16MP13C	24.5	XAFD48F	1	675	20.6	14.4	18.25	26.90
AC19B24B21S	CP9C100C16MP13C	24.5	XAFD48F	2	900	23.8	18.1	—	14.50
AC19B24B21S	CP9C100C16MP13C	21.0	XAHC36D	1	675	20.6	14.6	18.00	26.65
AC19B24B21S	CP9C100C16MP13C	21.0	XAHC36D	2	900	23.8	17.9	—	14.50
AC19B24B21S	CP9C100C16MP13C	21.0	XAHC48F	1	675	20.6	14.4	18.50	27.40
AC19B24B21S	CP9C100C16MP13C	21.0	XAHC48F	2	900	23.8	17.7	—	14.75
AC19B24B21S	CP9C100C16MP13C	21.0	XAHC60G	1	675	21.0	14.8	18.75	28.25
AC19B24B21S	CP9C100C16MP13C	21.0	XAHC60G	2	900	24.0	17.8	—	14.75
AC19B24B21S	CP9C100C16MP13C	24.5	XAHD48F	1	675	20.6	14.4	18.25	26.85
AC19B24B21S	CP9C100C16MP13C	24.5	XAHD48F	2	900	23.8	18.1	—	14.50
AC19B24B21S	CP9C100C16MP13C	21.0	XAHD60G	1	675	20.8	14.8	18.50	27.35
AC19B24B21S	CP9C100C16MP13C	21.0	XAHD60G	2	900	24.0	18.5	—	14.75
AC19B24B21S	CPLC080B12MP12C	17.5	CF42B	1	600	20.2	15.1	18.25	26.90
AC19B24B21S	CPLC080B12MP12C	17.5	CF42B	2	900	23.8	19.5	18.25	14.25
AC19B24B21S	CPLC080B12MP13C	17.5	CF42B	1	600	20.2	15.1	18.25	26.90
AC19B24B21S	CPLC080B12MP13C	17.5	CF42B	2	900	23.8	19.5	18.25	14.25
AC19B24B21S	CPLC080B12MP13C	17.5	XAF/XAUB36D	1	600	20.2	13.9	17.75	26.10
AC19B24B21S	CPLC080B12MP13C	17.5	XAF/XAUB36D	2	900	23.8	18.1	—	13.75
AC19B24B21S	CPLC080B12MP13C	21.0	XAF/XAUC48F	1	600	20.2	13.7	17.75	26.30
AC19B24B21S	CPLC080B12MP13C	21.0	XAF/XAUC48F	2	900	24.0	17.7	—	14.00
AC19B24B21S	CPLC080B12MP13C	21.0	XAF/XAUC60G	1	600	20.4	14.0	18.25	26.95
AC19B24B21S	CPLC080B12MP13C	21.0	XAF/XAUC60G	2	875	24.0	17.7	—	14.25
AC19B24B21S	CPLC080B12MP13C	21.0	XAFC36D	1	600	20.2	13.9	17.75	26.15
AC19B24B21S	CPLC080B12MP13C	21.0	XAFC36D	2	900	23.8	18.3	—	13.75
AC19B24B21S	CPLC080B12MP13C	17.5	XAHB36D	1	550	19.9	13.4	17.50	25.70
AC19B24B21S	CPLC080B12MP13C	17.5	XAHB36D	2	825	23.8	17.6	—	13.75
AC19B24B21S	CPLC080B12MP13C	21.0	XAHC36D	1	550	19.9	13.4	17.50	25.90
AC19B24B21S	CPLC080B12MP13C	21.0	XAHC36D	2	825	23.8	17.7	—	14.00
AC19B24B21S	CPLC080B12MP13C	21.0	XAHC48F	1	600	20.2	13.7	18.00	26.70

SYSTEM CAPACITY - With High Efficiency Motor Furnaces¹ (Continued)

UNIT MODEL	FURNACE MODEL	WIDTH	COIL MODEL ²	STAGE	COOLING				
					RATED CFM	NET MBH		SEER	EER
						TOTAL	SENS.		
AC19B24B21S	CPLC080B12MP13C	21.0	XAHC48F	2	875	24.0	17.5	—	14.00
AC19B24B21S	CPLC080B12MP13C	21.0	XAHC60G	1	600	20.4	14.0	18.50	27.50
AC19B24B21S	CPLC080B12MP13C	21.0	XAHC60G	2	875	24.0	17.7	—	14.25
AC19B24B21S	CPLC080C16MP13C	21.0	XAF/XAUC60G	1	625	20.6	14.3	18.50	27.70
AC19B24B21S	CPLC080C16MP13C	21.0	XAF/XAUC60G	2	875	24.0	17.7	—	14.75
AC19B24B21S	CPLC080C16MP13C	21.0	XAHC48F	1	625	20.4	14.0	18.50	27.40
AC19B24B21S	CPLC080C16MP13C	21.0	XAHC48F	2	875	23.8	17.5	—	14.75
AC19B24B21S	CPLC080C16MP13C	21.0	XAHC60G	1	675	21.0	14.8	18.75	28.35
AC19B24B21S	CPLC080C16MP13C	21.0	XAHC60G	2	950	24.0	18.2	—	14.75
AC19B24B21S	CPLC100C16MP13C	21.0	XAF/XAUC60G	1	625	20.6	14.3	18.50	27.70
AC19B24B21S	CPLC100C16MP13C	21.0	XAF/XAUC60G	2	875	24.0	17.7	—	14.75
AC19B24B21S	CPLC100C16MP13C	21.0	XAHC48F	1	625	20.4	14.0	18.50	27.40
AC19B24B21S	CPLC100C16MP13C	21.0	XAHC48F	2	875	23.8	17.5	—	14.75
AC19B24B21S	CPLC100C16MP13C	21.0	XAHC60G	1	675	21.0	14.8	18.75	28.35
AC19B24B21S	CPLC100C16MP13C	21.0	XAHC60G	2	950	24.0	18.2	—	14.75
AC19B36B21S	TL8E060A12UH11	14.5	CF/CM/CU36B	1	700	27.8	19.6	16.75	23.70
AC19B36B21S	TL8E060A12UH11	14.5	CF/CM/CU36B	2	1025	34.6	26.0	16.75	13.50
AC19B36B21S	TL8E060A12UH11	14.5	CF/CM/CU36C	1	750	28.0	20.3	17.00	23.85
AC19B36B21S	TL8E060A12UH11	14.5	CF/CM/CU36C	2	1050	34.6	26.2	17.00	13.50
AC19B36B21S	TL8E060A12UH11	14.5	CF/CM/CU42C	1	750	28.4	20.3	17.25	24.20
AC19B36B21S	TL8E060A12UH11	14.5	CF/CM/CU42C	2	1050	35.0	26.2	17.25	13.75
AC19B36B21S	TL8E060A12UH11	14.5	CF/CM/CU48C	1	900	29.4	22.3	17.25	24.40
AC19B36B21S	TL8E060A12UH11	14.5	CF/CM/CU48C	2	1075	35.0	26.8	17.25	13.75
AC19B36B21S	TL8E060A12UH11	14.5	CF/CM/CU60C	1	925	29.0	21.9	17.00	24.00
AC19B36B21S	TL8E060A12UH11	14.5	CF/CM/CU60C	2	1225	35.4	26.8	17.00	13.25
AC19B36B21S	TL8E060A12UH11	14.5	CF42B	1	700	28.0	19.7	16.75	24.10
AC19B36B21S	TL8E060A12UH11	14.5	CF42B	2	1025	34.6	25.8	16.75	13.50
AC19B36B21S	TL8E060A12UH11	17.5	XAF/XAUB36D	1	675	27.2	17.7	16.50	23.70
AC19B36B21S	TL8E060A12UH11	17.5	XAF/XAUB36D	2	1025	34.6	23.8	—	13.50
AC19B36B21S	TL8E060A12UH11	17.5	XAHB36D	1	675	27.2	17.7	16.50	23.35
AC19B36B21S	TL8E060A12UH11	17.5	XAHB36D	2	975	34.2	23.2	—	13.25
AC19B36B21S	TL8E080C16UH11	21.0	CF/CM/CU36C	1	975	29.4	23.4	17.25	24.45
AC19B36B21S	TL8E080C16UH11	21.0	CF/CM/CU36C	2	1125	35.2	27.4	17.25	14.00
AC19B36B21S	TL8E080C16UH11	21.0	CF/CM/CU42C	1	975	29.8	23.2	17.50	24.90
AC19B36B21S	TL8E080C16UH11	21.0	CF/CM/CU42C	2	1125	35.4	27.4	17.50	14.00
AC19B36B21S	TL8E080C16UH11	21.0	CF/CM/CU48C	1	975	29.8	23.2	17.50	24.95
AC19B36B21S	TL8E080C16UH11	21.0	CF/CM/CU48C	2	1125	35.4	27.6	17.50	14.00
AC19B36B21S	TL8E080C16UH11	21.0	CF/CM/CU48D	1	975	29.8	23.2	17.50	24.95
AC19B36B21S	TL8E080C16UH11	21.0	CF/CM/CU48D	2	1125	35.4	27.6	17.50	14.00
AC19B36B21S	TL8E080C16UH11	21.0	CF/CM/CU60C	1	975	29.4	22.6	17.25	24.45
AC19B36B21S	TL8E080C16UH11	21.0	CF/CM/CU60C	2	1125	35.2	27.2	17.25	14.00
AC19B36B21S	TL8E080C16UH11	21.0	CF/CM/CU60D	1	1000	29.6	23.0	17.25	24.80
AC19B36B21S	TL8E080C16UH11	21.0	CF/CM/CU60D	2	1300	36.0	28.0	17.25	13.75
AC19B36B21S	TL8E080C16UH11	21.0	CF/CM36D	1	975	29.4	23.4	17.25	24.50
AC19B36B21S	TL8E080C16UH11	21.0	CF/CM36D	2	1125	35.2	27.4	17.25	13.75
AC19B36B21S	TL8E080C16UH11	21.0	CF/CM42D	1	975	29.8	23.2	17.50	24.95
AC19B36B21S	TL8E080C16UH11	21.0	CF/CM42D	2	1125	35.4	27.4	17.50	14.00
AC19B36B21S	TL8E080C16UH11	21.0	CF/CM64D	1	975	30.2	23.4	17.75	25.40
AC19B36B21S	TL8E080C16UH11	21.0	CF/CM64D	2	1125	36.0	27.2	17.75	14.00
AC19B36B21S	TL8E080C16UH11	21.0	XAF/XAUC48F	1	975	29.2	20.8	16.75	24.75
AC19B36B21S	TL8E080C16UH11	21.0	XAF/XAUC48F	2	1250	35.4	25.8	—	13.50

SYSTEM CAPACITY - With High Efficiency Motor Furnaces¹ (Continued)

UNIT MODEL	FURNACE MODEL	WIDTH	COIL MODEL ²	STAGE	COOLING				
					RATED CFM	NET MBH		SEER	EER
						TOTAL	SENS.		
AC19B36B21S	TL8E080C16UH11	21.0	XAF/XAUC60G	1	1000	29.6	21.4	17.25	25.60
AC19B36B21S	TL8E080C16UH11	21.0	XAF/XAUC60G	2	1275	35.4	26.6	—	13.75
AC19B36B21S	TL8E080C16UH11	24.5	XAF/XAUD60G	1	975	29.6	21.4	17.25	25.45
AC19B36B21S	TL8E080C16UH11	24.5	XAF/XAUD60G	2	1275	35.6	26.4	—	13.75
AC19B36B21S	TL8E080C16UH11	24.5	XAF/XAUD60H	1	975	29.8	21.6	17.25	25.50
AC19B36B21S	TL8E080C16UH11	24.5	XAF/XAUD60H	2	1250	36.0	26.4	—	13.75
AC19B36B21S	TL8E080C16UH11	21.0	XAFC36D	1	950	29.0	20.8	16.75	24.60
AC19B36B21S	TL8E080C16UH11	21.0	XAFC36D	2	1225	35.2	26.0	—	13.25
AC19B36B21S	TL8E080C16UH11	21.0	XAFC60H	1	1000	29.8	21.8	17.50	25.80
AC19B36B21S	TL8E080C16UH11	21.0	XAFC60H	2	1400	36.0	28.2	—	13.50
AC19B36B21S	TL8E080C16UH11	24.5	XAFD48F	1	975	29.2	20.8	16.75	24.75
AC19B36B21S	TL8E080C16UH11	24.5	XAFD48F	2	1250	35.4	25.6	—	13.50
AC19B36B21S	TL8E080C16UH11	21.0	XAHC36D	1	900	29.0	20.4	16.75	24.20
AC19B36B21S	TL8E080C16UH11	21.0	XAHC36D	2	1050	34.8	24.2	—	13.50
AC19B36B21S	TL8E080C16UH11	21.0	XAHC48F	1	1000	29.4	21.2	17.00	25.00
AC19B36B21S	TL8E080C16UH11	21.0	XAHC48F	2	1250	35.4	25.8	—	13.50
AC19B36B21S	TL8E080C16UH11	21.0	XAHC60G	1	1025	29.8	21.8	17.25	25.85
AC19B36B21S	TL8E080C16UH11	21.0	XAHC60G	2	1275	35.4	26.6	—	13.75
AC19B36B21S	TL8E080C16UH11	21.0	XAHC60H	1	1050	30.2	22.4	17.50	26.30
AC19B36B21S	TL8E080C16UH11	21.0	XAHC60H	2	1425	36.0	28.0	—	13.50
AC19B36B21S	TL8E080C16UH11	24.5	XAHD48F	1	975	29.2	20.8	16.75	24.75
AC19B36B21S	TL8E080C16UH11	24.5	XAHD48F	2	1250	35.4	25.6	—	13.50
AC19B36B21S	TL8E080C16UH11	21.0	XAHD60G	1	950	29.4	21.0	17.00	25.10
AC19B36B21S	TL8E080C16UH11	21.0	XAHD60G	2	1100	35.2	25.0	—	13.75
AC19B36B21S	TL8E080C16UH11	24.5	XAHD60H	1	1000	29.8	21.8	17.25	25.75
AC19B36B21S	TL8E080C16UH11	24.5	XAHD60H	2	1400	36.0	27.6	—	13.50
AC19B36B21S	TL8E100C20UH11	21.0	CF/CM/CU36C	1	1075	29.8	24.6	17.50	24.85
AC19B36B21S	TL8E100C20UH11	21.0	CF/CM/CU36C	2	1250	35.4	29.0	17.50	14.00
AC19B36B21S	TL8E100C20UH11	21.0	CF/CM/CU42C	1	1075	30.4	24.4	17.75	25.40
AC19B36B21S	TL8E100C20UH11	21.0	CF/CM/CU42C	2	1250	35.8	28.8	17.75	14.00
AC19B36B21S	TL8E100C20UH11	21.0	CF/CM/CU48C	1	1100	30.6	25.2	17.75	25.55
AC19B36B21S	TL8E100C20UH11	21.0	CF/CM/CU48C	2	1250	36.0	29.0	17.75	14.00
AC19B36B21S	TL8E100C20UH11	21.0	CF/CM/CU48D	1	1100	30.4	25.2	17.75	25.65
AC19B36B21S	TL8E100C20UH11	21.0	CF/CM/CU48D	2	1275	36.0	28.6	17.75	14.00
AC19B36B21S	TL8E100C20UH11	21.0	CF/CM/CU60C	1	1075	30.0	23.8	17.50	24.95
AC19B36B21S	TL8E100C20UH11	21.0	CF/CM/CU60C	2	1250	36.0	27.8	17.50	14.00
AC19B36B21S	TL8E100C20UH11	21.0	CF/CM/CU60D	1	1100	30.0	24.0	17.50	25.15
AC19B36B21S	TL8E100C20UH11	21.0	CF/CM/CU60D	2	1275	36.0	27.8	17.50	14.00
AC19B36B21S	TL8E100C20UH11	21.0	CF/CM36D	1	1100	30.0	24.8	17.25	25.05
AC19B36B21S	TL8E100C20UH11	21.0	CF/CM36D	2	1275	35.6	29.2	17.25	14.00
AC19B36B21S	TL8E100C20UH11	21.0	CF/CM42D	1	1100	30.4	24.8	17.50	25.50
AC19B36B21S	TL8E100C20UH11	21.0	CF/CM42D	2	1275	36.0	29.4	17.50	14.00
AC19B36B21S	TL8E100C20UH11	21.0	CF/CM64D	1	1100	30.8	25.0	18.00	26.00
AC19B36B21S	TL8E100C20UH11	21.0	CF/CM64D	2	1250	36.0	28.4	18.00	14.00
AC19B36B21S	TL8E100C20UH11	21.0	XAF/XAUC48F	1	1050	29.6	21.6	17.00	24.95
AC19B36B21S	TL8E100C20UH11	21.0	XAF/XAUC48F	2	1225	35.6	25.6	—	13.75
AC19B36B21S	TL8E100C20UH11	21.0	XAF/XAUC60G	1	1100	30.2	22.6	17.25	25.90
AC19B36B21S	TL8E100C20UH11	21.0	XAF/XAUC60G	2	1400	36.0	27.4	—	13.75
AC19B36B21S	TL8E100C20UH11	24.5	XAF/XAUD60G	1	1100	30.2	22.6	17.25	25.90
AC19B36B21S	TL8E100C20UH11	24.5	XAF/XAUD60G	2	1425	36.0	27.4	—	13.75
AC19B36B21S	TL8E100C20UH11	24.5	XAF/XAUD60H	1	1075	30.2	22.6	17.50	25.90

SYSTEM CAPACITY - With High Efficiency Motor Furnaces¹ (Continued)

UNIT MODEL	FURNACE MODEL	WIDTH	COIL MODEL ²	STAGE	COOLING				
					RATED CFM	NET MBH		SEER	EER
						TOTAL	SENS.		
AC19B36B21S	TL8E100C20UH11	24.5	XAF/XAUD60H	2	1400	36.0	27.4	—	13.75
AC19B36B21S	TL8E100C20UH11	21.0	XAFC36D	1	1025	29.4	21.6	17.00	24.70
AC19B36B21S	TL8E100C20UH11	21.0	XAFC36D	2	1200	35.4	25.6	—	13.75
AC19B36B21S	TL8E100C20UH11	21.0	XAFC60H	1	1100	30.4	22.8	17.50	26.20
AC19B36B21S	TL8E100C20UH11	21.0	XAFC60H	2	1425	36.0	27.8	—	13.75
AC19B36B21S	TL8E100C20UH11	24.5	XAFD48F	1	1050	29.6	21.6	17.00	25.00
AC19B36B21S	TL8E100C20UH11	24.5	XAFD48F	2	1250	35.6	25.6	—	13.75
AC19B36B21S	TL8E100C20UH11	21.0	XAHC36D	1	1025	29.4	21.6	16.75	24.60
AC19B36B21S	TL8E100C20UH11	21.0	XAHC36D	2	1175	35.4	25.4	—	13.75
AC19B36B21S	TL8E100C20UH11	21.0	XAHC48F	1	1075	29.6	21.8	17.00	25.15
AC19B36B21S	TL8E100C20UH11	21.0	XAHC48F	2	1250	35.6	25.8	—	13.75
AC19B36B21S	TL8E100C20UH11	21.0	XAHC60G	1	1125	30.4	22.8	17.50	26.15
AC19B36B21S	TL8E100C20UH11	21.0	XAHC60G	2	1425	36.0	27.6	—	13.75
AC19B36B21S	TL8E100C20UH11	21.0	XAHC60H	1	1125	30.4	23.0	17.50	26.45
AC19B36B21S	TL8E100C20UH11	21.0	XAHC60H	2	1425	36.0	27.8	—	13.75
AC19B36B21S	TL8E100C20UH11	24.5	XAHD48F	1	1050	29.6	21.6	17.00	24.95
AC19B36B21S	TL8E100C20UH11	24.5	XAHD48F	2	1225	35.6	25.6	—	13.75
AC19B36B21S	TL8E100C20UH11	21.0	XAHD60G	1	1075	30.0	22.2	17.25	25.65
AC19B36B21S	TL8E100C20UH11	21.0	XAHD60G	2	1400	36.0	27.4	—	13.75
AC19B36B21S	TL8E100C20UH11	24.5	XAHD60H	1	1100	30.4	22.8	17.50	26.10
AC19B36B21S	TL8E100C20UH11	24.5	XAHD60H	2	1400	36.0	27.4	—	13.75
AC19B36B21S	TL9E060B12UH11	17.5	CF/CM/CU36B	1	675	27.4	19.4	16.75	23.15
AC19B36B21S	TL9E060B12UH11	17.5	CF/CM/CU36B	2	1025	34.4	26.0	16.75	13.25
AC19B36B21S	TL9E060B12UH11	17.5	CF/CM/CU36C	1	700	27.8	19.6	16.75	23.55
AC19B36B21S	TL9E060B12UH11	17.5	CF/CM/CU36C	2	1050	34.4	26.2	16.75	13.25
AC19B36B21S	TL9E060B12UH11	17.5	CF/CM/CU42C	1	700	28.0	19.6	16.75	23.85
AC19B36B21S	TL9E060B12UH11	17.5	CF/CM/CU42C	2	1050	34.8	26.2	16.75	13.25
AC19B36B21S	TL9E060B12UH11	17.5	CF/CM/CU48C	1	700	28.0	19.8	16.75	23.90
AC19B36B21S	TL9E060B12UH11	17.5	CF/CM/CU48C	2	1050	34.8	26.2	16.75	13.25
AC19B36B21S	TL9E060B12UH11	17.5	CF/CM/CU60C	1	725	27.6	19.2	16.25	23.20
AC19B36B21S	TL9E060B12UH11	17.5	CF/CM/CU60C	2	1050	34.8	25.2	16.25	13.25
AC19B36B21S	TL9E060B12UH11	17.5	CF42B	1	675	27.6	19.0	16.50	23.50
AC19B36B21S	TL9E060B12UH11	17.5	CF42B	2	1025	34.6	26.0	16.50	13.25
AC19B36B21S	TL9E060B12UH11	17.5	XAF/XAUB36D	1	675	27.2	17.7	16.50	23.45
AC19B36B21S	TL9E060B12UH11	17.5	XAF/XAUB36D	2	1000	34.2	23.6	—	13.00
AC19B36B21S	TL9E060B12UH11	21.0	XAF/XAUC48F	1	725	27.6	18.2	16.25	23.75
AC19B36B21S	TL9E060B12UH11	21.0	XAF/XAUC48F	2	1025	34.4	23.6	—	13.00
AC19B36B21S	TL9E060B12UH11	21.0	XAF/XAUC60G	1	700	27.8	18.2	16.50	24.45
AC19B36B21S	TL9E060B12UH11	21.0	XAF/XAUC60G	2	1025	34.6	24.0	—	13.25
AC19B36B21S	TL9E060B12UH11	21.0	XAFC36D	1	675	27.2	17.7	16.50	23.45
AC19B36B21S	TL9E060B12UH11	21.0	XAFC36D	2	1025	34.4	23.8	—	13.00
AC19B36B21S	TL9E060B12UH11	21.0	XAFC60H	1	700	28.0	18.5	16.75	24.50
AC19B36B21S	TL9E060B12UH11	21.0	XAFC60H	2	1050	35.0	24.6	—	13.50
AC19B36B21S	TL9E060B12UH11	21.0	XAHC36D	1	700	27.4	18.0	16.25	23.50
AC19B36B21S	TL9E060B12UH11	21.0	XAHC36D	2	1000	34.2	23.4	—	13.00
AC19B36B21S	TL9E060B12UH11	21.0	XAHC48F	1	750	27.8	18.5	16.50	24.05
AC19B36B21S	TL9E060B12UH11	21.0	XAHC48F	2	1025	34.4	23.6	—	13.25
AC19B36B21S	TL9E060B12UH11	21.0	XAHC60G	1	725	28.0	18.5	16.25	24.80
AC19B36B21S	TL9E060B12UH11	21.0	XAHC60G	2	1050	34.8	24.4	—	13.25
AC19B36B21S	TL9E060B12UH11	21.0	XAHC60H	1	725	28.2	18.8	17.00	24.90
AC19B36B21S	TL9E060B12UH11	21.0	XAHC60H	2	1050	35.0	24.6	—	13.50

SYSTEM CAPACITY - With High Efficiency Motor Furnaces¹ (Continued)

UNIT MODEL	FURNACE MODEL	WIDTH	COIL MODEL ²	STAGE	COOLING				
					RATED CFM	NET MBH		SEER	EER
						TOTAL	SENS.		
AC19B36B21S	TL9E080C16UH11	21.0	CF/CM/CU36C	1	925	29.0	23.0	17.25	24.05
AC19B36B21S	TL9E080C16UH11	21.0	CF/CM/CU36C	2	1075	34.8	26.4	17.25	13.75
AC19B36B21S	TL9E080C16UH11	21.0	CF/CM/CU42C	1	925	29.6	22.6	17.25	24.65
AC19B36B21S	TL9E080C16UH11	21.0	CF/CM/CU42C	2	1075	35.0	26.6	17.25	13.75
AC19B36B21S	TL9E080C16UH11	21.0	CF/CM/CU48C	1	950	29.8	23.2	17.50	25.20
AC19B36B21S	TL9E080C16UH11	21.0	CF/CM/CU48C	2	1250	35.8	28.8	17.50	13.75
AC19B36B21S	TL9E080C16UH11	21.0	CF/CM/CU48D	1	950	29.6	23.0	17.25	25.05
AC19B36B21S	TL9E080C16UH11	21.0	CF/CM/CU48D	2	1275	36.0	28.6	17.25	13.75
AC19B36B21S	TL9E080C16UH11	21.0	CF/CM/CU60C	1	925	29.2	22.2	17.00	24.20
AC19B36B21S	TL9E080C16UH11	21.0	CF/CM/CU60C	2	1075	35.0	26.0	17.00	13.75
AC19B36B21S	TL9E080C16UH11	21.0	CF/CM/CU60D	1	925	29.2	22.2	17.00	24.30
AC19B36B21S	TL9E080C16UH11	21.0	CF/CM/CU60D	2	1100	35.2	26.2	17.00	13.75
AC19B36B21S	TL9E080C16UH11	21.0	CF/CM36D	1	925	29.0	23.0	17.00	24.10
AC19B36B21S	TL9E080C16UH11	21.0	CF/CM36D	2	1100	35.0	27.0	17.00	13.75
AC19B36B21S	TL9E080C16UH11	21.0	CF/CM42D	1	925	29.6	22.6	17.25	24.75
AC19B36B21S	TL9E080C16UH11	21.0	CF/CM42D	2	1100	35.2	27.2	17.25	13.75
AC19B36B21S	TL9E080C16UH11	21.0	CF/CM64D	1	950	30.0	23.0	17.75	25.60
AC19B36B21S	TL9E080C16UH11	21.0	CF/CM64D	2	1250	36.0	28.6	17.75	13.75
AC19B36B21S	TL9E080C16UH11	21.0	XAF/XAUC48F	1	900	28.8	20.2	16.75	24.35
AC19B36B21S	TL9E080C16UH11	21.0	XAF/XAUC48F	2	1050	34.6	23.8	—	13.50
AC19B36B21S	TL9E080C16UH11	21.0	XAF/XAUC60G	1	925	29.4	20.8	17.00	25.30
AC19B36B21S	TL9E080C16UH11	21.0	XAF/XAUC60G	2	1250	35.2	26.4	—	13.50
AC19B36B21S	TL9E080C16UH11	24.5	XAF/XAUD60G	1	925	29.4	20.8	17.00	25.15
AC19B36B21S	TL9E080C16UH11	24.5	XAF/XAUD60G	2	1075	35.0	24.6	—	13.75
AC19B36B21S	TL9E080C16UH11	24.5	XAF/XAUD60H	1	925	29.4	21.0	17.25	25.35
AC19B36B21S	TL9E080C16UH11	24.5	XAF/XAUD60H	2	1250	36.0	26.6	—	13.50
AC19B36B21S	TL9E080C16UH11	21.0	XAFC36D	1	900	29.0	20.4	16.75	24.40
AC19B36B21S	TL9E080C16UH11	21.0	XAFC36D	2	1050	34.8	24.2	—	13.50
AC19B36B21S	TL9E080C16UH11	21.0	XAFC60H	1	950	29.6	21.2	17.25	25.65
AC19B36B21S	TL9E080C16UH11	21.0	XAFC60H	2	1400	36.0	27.8	—	13.00
AC19B36B21S	TL9E080C16UH11	24.5	XAFD48F	1	900	28.8	20.2	16.75	24.35
AC19B36B21S	TL9E080C16UH11	24.5	XAFD48F	2	1075	34.8	24.0	—	13.75
AC19B36B21S	TL9E080C16UH11	21.0	XAHC36D	1	875	28.6	20.0	16.50	24.05
AC19B36B21S	TL9E080C16UH11	21.0	XAHC36D	2	1025	34.6	24.0	—	13.50
AC19B36B21S	TL9E080C16UH11	21.0	XAHC48F	1	925	28.8	20.2	16.75	24.60
AC19B36B21S	TL9E080C16UH11	21.0	XAHC48F	2	1075	34.8	24.2	—	13.75
AC19B36B21S	TL9E080C16UH11	21.0	XAHC60G	1	950	29.4	21.0	17.00	25.45
AC19B36B21S	TL9E080C16UH11	21.0	XAHC60G	2	1100	35.2	25.0	—	13.75
AC19B36B21S	TL9E080C16UH11	21.0	XAHC60H	1	975	29.8	21.6	17.25	26.05
AC19B36B21S	TL9E080C16UH11	21.0	XAHC60H	2	1425	36.0	28.2	—	13.00
AC19B36B21S	TL9E080C16UH11	24.5	XAHD48F	1	925	28.8	20.2	16.75	24.60
AC19B36B21S	TL9E080C16UH11	24.5	XAHD48F	2	1250	35.4	25.8	—	13.25
AC19B36B21S	TL9E080C16UH11	21.0	XAHD60G	1	925	29.4	20.8	17.00	25.20
AC19B36B21S	TL9E080C16UH11	21.0	XAHD60G	2	1250	35.2	26.4	—	13.50
AC19B36B21S	TL9E080C16UH11	24.5	XAHD60H	1	925	29.4	21.0	17.25	25.40
AC19B36B21S	TL9E080C16UH11	24.5	XAHD60H	2	1250	36.0	26.6	—	13.50
AC19B36B21S	TL9E100C20UH11	21.0	CF/CM/CU48C	1	1175	30.6	26.0	17.50	25.05
AC19B36B21S	TL9E100C20UH11	21.0	CF/CM/CU48C	2	1425	36.0	30.6	17.50	13.75
AC19B36B21S	TL9E100C20UH11	21.0	CF/CM/CU60C	1	1175	30.4	24.2	17.00	24.80
AC19B36B21S	TL9E100C20UH11	21.0	CF/CM/CU60C	2	1425	36.0	28.8	17.00	13.75
AC19B36B21S	TL9E100C20UH11	21.0	CF/CM64D	1	1175	30.6	25.8	17.75	25.55

SYSTEM CAPACITY - With High Efficiency Motor Furnaces¹ (Continued)

UNIT MODEL	FURNACE MODEL	WIDTH	COIL MODEL ²	STAGE	COOLING				
					RATED CFM	NET MBH		SEER	EER
						TOTAL	SENS.		
AC19B36B21S	TL9E100C20UH11	21.0	CF/CM64D	2	1425	36.0	30.0	17.75	14.00
AC19B36B21S	TL9E100C20UH11	21.0	XAF/XAUC48F	1	1150	29.8	22.4	16.75	24.65
AC19B36B21S	TL9E100C20UH11	21.0	XAF/XAUC48F	2	1400	35.8	27.0	—	13.25
AC19B36B21S	TL9E100C20UH11	21.0	XAF/XAUC60G	1	1175	30.4	23.2	17.00	25.35
AC19B36B21S	TL9E100C20UH11	21.0	XAF/XAUC60G	2	1425	36.0	27.6	—	13.50
AC19B36B21S	TL9E100C20UH11	24.5	XAF/XAUD60G	1	1175	30.4	23.2	17.00	25.35
AC19B36B21S	TL9E100C20UH11	24.5	XAF/XAUD60G	2	1425	36.0	27.4	—	13.50
AC19B36B21S	TL9E100C20UH11	24.5	XAF/XAUD60H	1	1150	30.4	23.4	17.00	25.40
AC19B36B21S	TL9E100C20UH11	24.5	XAF/XAUD60H	2	1425	36.0	27.8	—	13.75
AC19B36B21S	TL9E100C20UH11	21.0	XAFC36D	1	1125	29.8	22.6	16.50	24.40
AC19B36B21S	TL9E100C20UH11	21.0	XAFC36D	2	1375	35.8	27.2	—	13.25
AC19B36B21S	TL9E100C20UH11	21.0	XAFC60H	1	1175	30.6	23.6	17.25	25.60
AC19B36B21S	TL9E100C20UH11	21.0	XAFC60H	2	1425	36.0	28.6	—	13.75
AC19B36B21S	TL9E100C20UH11	24.5	XAFD48F	1	1150	29.8	22.4	16.75	24.70
AC19B36B21S	TL9E100C20UH11	24.5	XAFD48F	2	1400	35.8	27.0	—	13.25
AC19B36B21S	TL9E100C20UH11	21.0	XAHC36D	1	1100	29.6	22.2	16.50	24.25
AC19B36B21S	TL9E100C20UH11	21.0	XAHC36D	2	1350	35.6	27.0	—	13.25
AC19B36B21S	TL9E100C20UH11	21.0	XAHC48F	1	1150	29.8	22.4	16.75	24.70
AC19B36B21S	TL9E100C20UH11	21.0	XAHC48F	2	1400	35.8	27.0	—	13.25
AC19B36B21S	TL9E100C20UH11	21.0	XAHC60G	1	1200	30.4	23.4	17.00	25.55
AC19B36B21S	TL9E100C20UH11	21.0	XAHC60G	2	1425	36.0	27.6	—	13.50
AC19B36B21S	TL9E100C20UH11	21.0	XAHC60H	1	1200	30.6	23.8	17.25	25.90
AC19B36B21S	TL9E100C20UH11	21.0	XAHC60H	2	1425	36.0	27.8	—	13.75
AC19B36B21S	TL9E100C20UH11	24.5	XAHD48F	1	1150	29.8	22.4	16.75	24.65
AC19B36B21S	TL9E100C20UH11	24.5	XAHD48F	2	1400	35.8	27.0	—	13.25
AC19B36B21S	TL9E100C20UH11	21.0	XAHD60G	1	1150	30.2	23.0	17.00	25.15
AC19B36B21S	TL9E100C20UH11	21.0	XAHD60G	2	1400	36.0	27.4	—	13.50
AC19B36B21S	TL9E100C20UH11	24.5	XAHD60H	1	1175	30.6	23.6	17.25	25.55
AC19B36B21S	TL9E100C20UH11	24.5	XAHD60H	2	1425	36.0	27.8	—	13.75
AC19B36B21S	TM8E040A12MP11	14.5	CF/CM/CU36B	1	750	28.2	20.6	17.00	24.00
AC19B36B21S	TM8E040A12MP11	14.5	CF/CM/CU36B	2	1025	34.6	26.0	17.00	13.50
AC19B36B21S	TM8E040A12MP11	14.5	CF42B	1	750	28.4	20.4	17.00	24.30
AC19B36B21S	TM8E040A12MP11	14.5	CF42B	2	1000	34.6	25.6	17.00	13.50
AC19B36B21S	TM8E040A12MP11	17.5	XAF/XAUB36D	1	725	27.6	18.3	16.75	24.15
AC19B36B21S	TM8E040A12MP11	17.5	XAF/XAUB36D	2	1000	34.4	23.4	—	13.50
AC19B36B21S	TM8E040A12MP11	17.5	XAHB36D	1	775	28.2	19.0	16.75	24.20
AC19B36B21S	TM8E040A12MP11	17.5	XAHB36D	2	1150	34.6	25.0	—	13.00
AC19B36B21S	TM8E060A12MP11	14.5	CF/CM/CU36B	1	775	28.2	20.6	17.00	23.70
AC19B36B21S	TM8E060A12MP11	14.5	CF/CM/CU36B	2	1025	34.6	26.0	17.00	13.50
AC19B36B21S	TM8E060A12MP11	14.5	CF42B	1	775	28.6	20.8	17.00	24.10
AC19B36B21S	TM8E060A12MP11	14.5	CF42B	2	1000	34.6	25.6	17.00	13.50
AC19B36B21S	TM8E060A12MP11	17.5	XAF/XAUB36D	1	825	28.4	19.5	16.50	24.10
AC19B36B21S	TM8E060A12MP11	17.5	XAF/XAUB36D	2	1000	34.4	23.4	—	13.50
AC19B36B21S	TM8E060A12MP11	17.5	XAHB36D	1	800	28.0	19.1	16.50	23.75
AC19B36B21S	TM8E060A12MP11	17.5	XAHB36D	2	975	34.2	23.2	—	13.25
AC19B36B21S	TM8E080B12MP11	17.5	CF/CM/CU36B	1	775	28.2	20.6	17.00	23.85
AC19B36B21S	TM8E080B12MP11	17.5	CF/CM/CU36B	2	1025	34.6	26.0	17.00	13.75
AC19B36B21S	TM8E080B12MP11	17.5	CF/CM/CU36C	1	800	28.4	21.2	17.00	24.20
AC19B36B21S	TM8E080B12MP11	17.5	CF/CM/CU36C	2	1050	34.6	26.2	17.00	13.50
AC19B36B21S	TM8E080B12MP11	17.5	CF/CM/CU42C	1	800	28.8	21.0	17.25	24.60
AC19B36B21S	TM8E080B12MP11	17.5	CF/CM/CU42C	2	1050	35.0	26.2	17.25	13.75

SYSTEM CAPACITY - With High Efficiency Motor Furnaces¹ (Continued)

UNIT MODEL	FURNACE MODEL	WIDTH	COIL MODEL ²	STAGE	COOLING				
					RATED CFM	NET MBH		SEER	EER
						TOTAL	SENS.		
AC19B36B21S	TM8E080B12MP11	17.5	CF/CM/CU48C	1	800	28.8	21.0	17.25	24.65
AC19B36B21S	TM8E080B12MP11	17.5	CF/CM/CU48C	2	1050	35.0	26.4	17.25	13.75
AC19B36B21S	TM8E080B12MP11	17.5	CF/CM/CU60C	1	800	28.2	20.4	16.75	24.05
AC19B36B21S	TM8E080B12MP11	17.5	CF/CM/CU60C	2	1050	35.0	25.6	16.75	13.75
AC19B36B21S	TM8E080B12MP11	17.5	CF42B	1	750	28.2	20.2	17.00	24.00
AC19B36B21S	TM8E080B12MP11	17.5	CF42B	2	1025	34.8	26.0	17.00	13.75
AC19B36B21S	TM8E080B12MP11	17.5	XAF/XAUB36D	1	775	28.0	18.9	16.50	24.35
AC19B36B21S	TM8E080B12MP11	17.5	XAF/XAUB36D	2	1200	34.6	25.6	—	13.00
AC19B36B21S	TM8E080B12MP11	21.0	XAF/XAUC48F	1	800	28.2	19.0	16.75	24.65
AC19B36B21S	TM8E080B12MP11	21.0	XAF/XAUC48F	2	1325	35.0	26.4	—	12.50
AC19B36B21S	TM8E080B12MP11	21.0	XAF/XAUC60G	1	800	28.6	19.4	16.75	25.15
AC19B36B21S	TM8E080B12MP11	21.0	XAF/XAUC60G	2	1050	34.8	24.2	—	13.75
AC19B36B21S	TM8E080B12MP11	21.0	XAFC36D	1	775	28.0	18.9	16.50	24.35
AC19B36B21S	TM8E080B12MP11	21.0	XAFC36D	2	1200	34.6	25.4	—	13.00
AC19B36B21S	TM8E080B12MP11	21.0	XAFC60H	1	800	28.8	19.7	17.25	25.30
AC19B36B21S	TM8E080B12MP11	21.0	XAFC60H	2	1050	35.2	24.6	—	13.75
AC19B36B21S	TM8E080B12MP11	17.5	XAHB36D	1	725	27.8	18.4	16.50	23.80
AC19B36B21S	TM8E080B12MP11	17.5	XAHB36D	2	975	34.2	23.4	—	13.25
AC19B36B21S	TM8E080B12MP11	21.0	XAHC36D	1	750	28.0	18.7	16.50	24.15
AC19B36B21S	TM8E080B12MP11	21.0	XAHC36D	2	1000	34.4	23.4	—	13.50
AC19B36B21S	TM8E080B12MP11	21.0	XAHC48F	1	800	28.2	19.0	16.75	24.65
AC19B36B21S	TM8E080B12MP11	21.0	XAHC48F	2	1050	34.6	23.8	—	13.50
AC19B36B21S	TM8E080B12MP11	21.0	XAHC60G	1	825	28.8	19.7	16.75	25.40
AC19B36B21S	TM8E080B12MP11	21.0	XAHC60G	2	1050	34.8	24.2	—	13.75
AC19B36B21S	TM8E080B12MP11	21.0	XAHC60H	1	850	29.2	20.2	17.50	25.80
AC19B36B21S	TM8E080B12MP11	21.0	XAHC60H	2	1075	35.4	25.0	—	14.00
AC19B36B21S	TM8E080C16MP11	21.0	CF/CM/CU36C	1	850	28.8	21.8	17.50	24.50
AC19B36B21S	TM8E080C16MP11	21.0	CF/CM/CU36C	2	1100	35.0	27.0	17.50	14.00
AC19B36B21S	TM8E080C16MP11	21.0	CF/CM/CU42C	1	850	29.2	21.6	17.50	24.95
AC19B36B21S	TM8E080C16MP11	21.0	CF/CM/CU42C	2	1100	35.2	27.2	17.50	14.00
AC19B36B21S	TM8E080C16MP11	21.0	CF/CM/CU48C	1	850	29.2	22.0	17.50	24.95
AC19B36B21S	TM8E080C16MP11	21.0	CF/CM/CU48C	2	1100	35.2	27.4	17.50	14.00
AC19B36B21S	TM8E080C16MP11	21.0	CF/CM/CU48D	1	850	29.2	22.0	17.50	24.95
AC19B36B21S	TM8E080C16MP11	21.0	CF/CM/CU48D	2	1100	35.2	27.4	17.50	14.00
AC19B36B21S	TM8E080C16MP11	21.0	CF/CM/CU60C	1	850	28.6	21.0	17.25	24.45
AC19B36B21S	TM8E080C16MP11	21.0	CF/CM/CU60C	2	1100	35.4	26.4	17.25	14.00
AC19B36B21S	TM8E080C16MP11	21.0	CF/CM/CU60D	1	850	28.6	21.0	17.25	24.50
AC19B36B21S	TM8E080C16MP11	21.0	CF/CM/CU60D	2	1125	35.4	27.2	17.25	14.00
AC19B36B21S	TM8E080C16MP11	21.0	CF/CM36D	1	850	28.8	21.8	17.25	24.50
AC19B36B21S	TM8E080C16MP11	21.0	CF/CM36D	2	1125	35.2	27.2	17.25	14.00
AC19B36B21S	TM8E080C16MP11	21.0	CF/CM42D	1	850	29.2	21.6	17.50	25.00
AC19B36B21S	TM8E080C16MP11	21.0	CF/CM42D	2	1125	35.4	27.4	17.50	14.00
AC19B36B21S	TM8E080C16MP11	21.0	CF/CM64D	1	850	29.4	21.8	18.00	25.40
AC19B36B21S	TM8E080C16MP11	21.0	CF/CM64D	2	1100	36.0	27.4	18.00	14.00
AC19B36B21S	TM8E080C16MP11	21.0	XAF/XAUC48F	1	850	28.6	19.6	17.00	24.95
AC19B36B21S	TM8E080C16MP11	21.0	XAF/XAUC48F	2	1250	35.2	25.8	—	13.50
AC19B36B21S	TM8E080C16MP11	21.0	XAF/XAUC60G	1	875	29.2	20.4	17.25	25.85
AC19B36B21S	TM8E080C16MP11	21.0	XAF/XAUC60G	2	1275	35.4	26.6	—	13.75
AC19B36B21S	TM8E080C16MP11	24.5	XAF/XAUD60G	1	875	29.0	20.2	17.25	25.75
AC19B36B21S	TM8E080C16MP11	24.5	XAF/XAUD60G	2	1275	35.4	26.4	—	13.75
AC19B36B21S	TM8E080C16MP11	24.5	XAF/XAUD60H	1	850	29.0	20.2	17.25	25.70

SYSTEM CAPACITY - With High Efficiency Motor Furnaces¹ (Continued)

UNIT MODEL	FURNACE MODEL	WIDTH	COIL MODEL ²	STAGE	COOLING				
					RATED CFM	NET MBH		SEER	EER
						TOTAL	SENS.		
AC19B36B21S	TM8E080C16MP11	24.5	XAF/XAUD60H	2	1275	36.0	26.6	—	13.75
AC19B36B21S	TM8E080C16MP11	21.0	XAFC36D	1	800	28.2	19.2	16.75	24.45
AC19B36B21S	TM8E080C16MP11	21.0	XAFC36D	2	1050	34.8	24.2	—	13.75
AC19B36B21S	TM8E080C16MP11	21.0	XAFC60H	1	875	29.2	20.4	17.50	26.00
AC19B36B21S	TM8E080C16MP11	21.0	XAFC60H	2	1275	36.0	26.8	—	13.75
AC19B36B21S	TM8E080C16MP11	24.5	XAFD48F	1	850	28.6	19.6	17.00	25.00
AC19B36B21S	TM8E080C16MP11	24.5	XAFD48F	2	1275	35.2	26.0	—	13.50
AC19B36B21S	TM8E080C16MP11	21.0	XAHC36D	1	800	28.4	19.3	16.75	24.45
AC19B36B21S	TM8E080C16MP11	21.0	XAHC36D	2	1025	34.6	23.8	—	13.75
AC19B36B21S	TM8E080C16MP11	21.0	XAHC48F	1	875	28.8	19.9	17.25	25.20
AC19B36B21S	TM8E080C16MP11	21.0	XAHC48F	2	1275	35.2	26.0	—	13.50
AC19B36B21S	TM8E080C16MP11	21.0	XAHC60G	1	900	29.4	20.6	17.25	26.10
AC19B36B21S	TM8E080C16MP11	21.0	XAHC60G	2	1300	35.6	26.8	—	13.75
AC19B36B21S	TM8E080C16MP11	21.0	XAHC60H	1	925	29.6	21.0	17.75	26.50
AC19B36B21S	TM8E080C16MP11	21.0	XAHC60H	2	1300	36.0	27.0	—	13.75
AC19B36B21S	TM8E080C16MP11	24.5	XAHD48F	1	850	28.6	19.6	17.00	24.95
AC19B36B21S	TM8E080C16MP11	24.5	XAHD48F	2	1250	35.2	25.6	—	13.50
AC19B36B21S	TM8E080C16MP11	21.0	XAHD60G	1	850	29.0	20.0	17.25	25.50
AC19B36B21S	TM8E080C16MP11	21.0	XAHD60G	2	1250	35.4	26.4	—	13.75
AC19B36B21S	TM8E080C16MP11	24.5	XAHD60H	1	875	29.2	20.4	17.50	25.95
AC19B36B21S	TM8E080C16MP11	24.5	XAHD60H	2	1275	36.0	26.6	—	13.75
AC19B36B21S	TM8E080C20MP11	21.0	XAFC36D	1	1225	30.0	23.4	16.25	23.90
AC19B36B21S	TM8E080C20MP11	21.0	XAFC36D	2	1400	35.8	27.4	—	13.25
AC19B36B21S	TM8E080C20MP11	21.0	XAHC36D	1	1200	29.8	23.2	16.00	23.70
AC19B36B21S	TM8E080C20MP11	21.0	XAHC36D	2	1400	35.8	27.4	—	13.00
AC19B36B21S	TM8E100B12MP11	17.5	CF/CM/CU36B	1	750	28.2	20.6	17.00	24.00
AC19B36B21S	TM8E100B12MP11	17.5	CF/CM/CU36B	2	1075	34.8	26.4	17.00	13.50
AC19B36B21S	TM8E100B12MP11	17.5	CF/CM/CU36C	1	775	28.2	20.6	17.25	24.15
AC19B36B21S	TM8E100B12MP11	17.5	CF/CM/CU36C	2	1100	35.0	27.0	17.25	13.50
AC19B36B21S	TM8E100B12MP11	17.5	CF/CM/CU42C	1	775	28.6	20.8	17.25	24.55
AC19B36B21S	TM8E100B12MP11	17.5	CF/CM/CU42C	2	1100	35.0	27.0	17.25	13.50
AC19B36B21S	TM8E100B12MP11	17.5	CF/CM/CU48C	1	775	28.6	21.0	17.25	24.65
AC19B36B21S	TM8E100B12MP11	17.5	CF/CM/CU48C	2	1100	35.0	27.0	17.25	13.75
AC19B36B21S	TM8E100B12MP11	17.5	CF/CM/CU60C	1	775	28.0	20.0	16.75	24.05
AC19B36B21S	TM8E100B12MP11	17.5	CF/CM/CU60C	2	1100	35.2	26.2	16.75	13.75
AC19B36B21S	TM8E100B12MP11	17.5	CF42B	1	850	29.0	21.6	17.25	24.15
AC19B36B21S	TM8E100B12MP11	17.5	CF42B	2	1050	35.0	26.2	17.25	13.75
AC19B36B21S	TM8E100B12MP11	17.5	XAF/XAUB36D	1	825	28.2	19.4	16.50	24.05
AC19B36B21S	TM8E100B12MP11	17.5	XAF/XAUB36D	2	1050	34.6	24.2	—	13.25
AC19B36B21S	TM8E100B12MP11	21.0	XAF/XAUC48F	1	750	27.8	18.4	16.75	24.35
AC19B36B21S	TM8E100B12MP11	21.0	XAF/XAUC48F	2	1075	34.8	24.0	—	13.50
AC19B36B21S	TM8E100B12MP11	21.0	XAF/XAUC60G	1	775	28.4	19.1	16.75	25.20
AC19B36B21S	TM8E100B12MP11	21.0	XAF/XAUC60G	2	1100	35.0	24.8	—	13.75
AC19B36B21S	TM8E100B12MP11	21.0	XAFC36D	1	750	28.0	18.7	16.50	24.45
AC19B36B21S	TM8E100B12MP11	21.0	XAFC36D	2	1200	35.0	25.4	—	13.00
AC19B36B21S	TM8E100B12MP11	21.0	XAFC60H	1	900	29.4	20.8	17.25	25.55
AC19B36B21S	TM8E100B12MP11	21.0	XAFC60H	2	1250	35.8	26.6	—	13.50
AC19B36B21S	TM8E100B12MP11	17.5	XAHB36D	1	825	28.2	19.4	16.25	23.95
AC19B36B21S	TM8E100B12MP11	17.5	XAHB36D	2	1150	34.8	25.2	—	12.75
AC19B36B21S	TM8E100B12MP11	21.0	XAHC36D	1	825	28.2	19.4	16.50	24.00
AC19B36B21S	TM8E100B12MP11	21.0	XAHC36D	2	1050	34.6	24.0	—	13.25

SYSTEM CAPACITY - With High Efficiency Motor Furnaces¹ (Continued)

UNIT MODEL	FURNACE MODEL	WIDTH	COIL MODEL ²	STAGE	COOLING				
					RATED CFM	NET MBH		SEER	EER
						TOTAL	SENS.		
AC19B36B21S	TM8E100B12MP11	21.0	XAHC48F	1	800	28.2	19.0	16.75	24.95
AC19B36B21S	TM8E100B12MP11	21.0	XAHC48F	2	1225	35.0	25.4	—	13.00
AC19B36B21S	TM8E100B12MP11	21.0	XAHC60G	1	800	28.6	19.4	16.75	25.55
AC19B36B21S	TM8E100B12MP11	21.0	XAHC60G	2	1100	35.2	25.0	—	13.75
AC19B36B21S	TM8E100B12MP11	21.0	XAHC60H	1	825	29.0	19.9	17.50	26.00
AC19B36B21S	TM8E100B12MP11	21.0	XAHC60H	2	1250	35.8	26.6	—	13.50
AC19B36B21S	TM8E100C16MP11	21.0	CF/CM/CU36C	1	825	28.6	21.6	17.50	24.45
AC19B36B21S	TM8E100C16MP11	21.0	CF/CM/CU36C	2	1125	35.2	27.4	17.50	14.00
AC19B36B21S	TM8E100C16MP11	21.0	CF/CM/CU42C	1	975	29.8	23.2	17.50	24.95
AC19B36B21S	TM8E100C16MP11	21.0	CF/CM/CU42C	2	1125	35.4	27.4	17.50	14.00
AC19B36B21S	TM8E100C16MP11	21.0	CF/CM/CU48C	1	825	29.0	21.2	17.50	24.95
AC19B36B21S	TM8E100C16MP11	21.0	CF/CM/CU48C	2	1125	35.4	27.6	17.50	14.00
AC19B36B21S	TM8E100C16MP11	21.0	CF/CM/CU48D	1	850	29.2	21.6	17.50	25.15
AC19B36B21S	TM8E100C16MP11	21.0	CF/CM/CU48D	2	1125	35.4	27.6	17.50	14.00
AC19B36B21S	TM8E100C16MP11	21.0	CF/CM/CU60C	1	825	28.6	20.6	17.25	24.35
AC19B36B21S	TM8E100C16MP11	21.0	CF/CM/CU60C	2	1125	35.4	27.2	17.25	14.00
AC19B36B21S	TM8E100C16MP11	21.0	CF/CM/CU60D	1	850	28.6	21.0	17.25	24.60
AC19B36B21S	TM8E100C16MP11	21.0	CF/CM/CU60D	2	1125	35.4	27.2	17.25	14.00
AC19B36B21S	TM8E100C16MP11	21.0	CF/CM36D	1	850	28.8	21.8	17.25	24.65
AC19B36B21S	TM8E100C16MP11	21.0	CF/CM36D	2	1125	35.2	27.2	17.25	14.00
AC19B36B21S	TM8E100C16MP11	21.0	CF/CM42D	1	850	29.2	21.6	17.50	25.15
AC19B36B21S	TM8E100C16MP11	21.0	CF/CM42D	2	1125	35.4	27.4	17.50	14.00
AC19B36B21S	TM8E100C16MP11	21.0	CF/CM64D	1	975	30.2	23.4	17.75	25.50
AC19B36B21S	TM8E100C16MP11	21.0	CF/CM64D	2	1125	36.0	27.2	17.75	14.00
AC19B36B21S	TM8E100C16MP11	21.0	XAF/XAUC48F	1	975	29.2	20.8	17.00	24.85
AC19B36B21S	TM8E100C16MP11	21.0	XAF/XAUC48F	2	1275	35.4	26.2	—	13.50
AC19B36B21S	TM8E100C16MP11	21.0	XAF/XAUC60G	1	850	29.0	20.0	17.25	25.65
AC19B36B21S	TM8E100C16MP11	21.0	XAF/XAUC60G	2	1100	35.2	25.0	—	14.00
AC19B36B21S	TM8E100C16MP11	24.5	XAF/XAUD60G	1	850	29.0	20.0	17.25	25.70
AC19B36B21S	TM8E100C16MP11	24.5	XAF/XAUD60G	2	1300	35.4	26.6	—	13.75
AC19B36B21S	TM8E100C16MP11	24.5	XAF/XAUD60H	1	825	29.0	20.0	17.25	25.50
AC19B36B21S	TM8E100C16MP11	24.5	XAF/XAUD60H	2	1100	35.6	25.2	—	14.00
AC19B36B21S	TM8E100C16MP11	21.0	XAFC36D	1	800	28.4	19.3	17.00	24.65
AC19B36B21S	TM8E100C16MP11	21.0	XAFC36D	2	1075	35.0	24.6	—	13.75
AC19B36B21S	TM8E100C16MP11	21.0	XAFC60H	1	850	29.2	20.2	17.50	25.80
AC19B36B21S	TM8E100C16MP11	21.0	XAFC60H	2	1100	35.6	25.4	—	14.00
AC19B36B21S	TM8E100C16MP11	24.5	XAFD48F	1	825	28.4	19.3	17.00	24.90
AC19B36B21S	TM8E100C16MP11	24.5	XAFD48F	2	1300	35.4	26.2	—	13.50
AC19B36B21S	TM8E100C16MP11	21.0	XAHC36D	1	775	28.0	18.9	16.75	24.30
AC19B36B21S	TM8E100C16MP11	21.0	XAHC36D	2	1050	34.8	24.2	—	13.75
AC19B36B21S	TM8E100C16MP11	21.0	XAHC48F	1	850	28.6	19.6	17.25	25.10
AC19B36B21S	TM8E100C16MP11	21.0	XAHC48F	2	1100	35.0	24.4	—	13.75
AC19B36B21S	TM8E100C16MP11	21.0	XAHC60G	1	875	29.2	20.2	17.25	25.95
AC19B36B21S	TM8E100C16MP11	21.0	XAHC60G	2	1125	35.4	25.2	—	14.00
AC19B36B21S	TM8E100C16MP11	21.0	XAHC60H	1	900	29.4	20.8	17.50	26.40
AC19B36B21S	TM8E100C16MP11	21.0	XAHC60H	2	1150	35.8	25.8	—	14.00
AC19B36B21S	TM8E100C16MP11	24.5	XAHD48F	1	975	29.2	20.8	17.00	24.85
AC19B36B21S	TM8E100C16MP11	24.5	XAHD48F	2	1275	35.4	26.0	—	13.50
AC19B36B21S	TM8E100C16MP11	21.0	XAHD60G	1	825	28.8	19.7	17.25	25.40
AC19B36B21S	TM8E100C16MP11	21.0	XAHD60G	2	1100	35.2	25.0	—	14.00
AC19B36B21S	TM8E100C16MP11	24.5	XAHD60H	1	825	29.0	20.0	17.50	25.55

SYSTEM CAPACITY - With High Efficiency Motor Furnaces¹ (Continued)

UNIT MODEL	FURNACE MODEL	WIDTH	COIL MODEL ²	STAGE	COOLING				
					RATED CFM	NET MBH		SEER	EER
						TOTAL	SENS.		
AC19B36B21S	TM8E100C16MP11	24.5	XAHD60H	2	1100	35.6	25.2	—	14.00
AC19B36B21S	TM8E100C20MP11	21.0	XAFC36D	1	1225	30.0	23.4	16.25	23.80
AC19B36B21S	TM8E100C20MP11	21.0	XAFC36D	2	1400	35.8	27.4	—	13.25
AC19B36B21S	TM8E100C20MP11	21.0	XAHC36D	1	1200	30.0	23.2	16.25	23.60
AC19B36B21S	TM8E100C20MP11	21.0	XAHC36D	2	1375	35.8	27.2	—	13.25
AC19B36B21S	TM8E120C16MP11	21.0	CF/CM/CU36C	1	850	28.8	21.8	17.50	24.55
AC19B36B21S	TM8E120C16MP11	21.0	CF/CM/CU36C	2	1125	35.2	27.2	17.50	14.00
AC19B36B21S	TM8E120C16MP11	21.0	CF/CM/CU42C	1	875	29.4	22.0	17.75	25.30
AC19B36B21S	TM8E120C16MP11	21.0	CF/CM/CU42C	2	1300	36.0	29.2	17.75	13.75
AC19B36B21S	TM8E120C16MP11	21.0	CF/CM/CU48C	1	850	29.2	21.6	17.75	25.10
AC19B36B21S	TM8E120C16MP11	21.0	CF/CM/CU48C	2	1125	35.4	27.6	17.75	14.00
AC19B36B21S	TM8E120C16MP11	21.0	CF/CM/CU48D	1	850	29.2	21.6	17.50	25.10
AC19B36B21S	TM8E120C16MP11	21.0	CF/CM/CU48D	2	1125	35.4	27.6	17.50	14.00
AC19B36B21S	TM8E120C16MP11	21.0	CF/CM/CU60C	1	875	28.8	21.4	17.50	24.85
AC19B36B21S	TM8E120C16MP11	21.0	CF/CM/CU60C	2	1300	36.0	28.0	17.50	13.75
AC19B36B21S	TM8E120C16MP11	21.0	CF/CM/CU60D	1	875	28.8	21.4	17.25	24.85
AC19B36B21S	TM8E120C16MP11	21.0	CF/CM/CU60D	2	1325	36.0	28.2	17.25	13.75
AC19B36B21S	TM8E120C16MP11	21.0	CF/CM36D	1	850	28.8	21.8	17.25	24.60
AC19B36B21S	TM8E120C16MP11	21.0	CF/CM36D	2	1125	35.2	27.2	17.25	14.00
AC19B36B21S	TM8E120C16MP11	21.0	CF/CM42D	1	875	29.2	22.0	17.50	25.40
AC19B36B21S	TM8E120C16MP11	21.0	CF/CM42D	2	1325	36.0	29.4	17.50	13.75
AC19B36B21S	TM8E120C16MP11	21.0	CF/CM64D	1	875	29.6	22.4	18.00	25.85
AC19B36B21S	TM8E120C16MP11	21.0	CF/CM64D	2	1325	36.0	29.4	18.00	14.00
AC19B36B21S	TM8E120C16MP11	21.0	XAF/XAUC48F	1	975	29.2	20.8	17.00	24.85
AC19B36B21S	TM8E120C16MP11	21.0	XAF/XAUC48F	2	1275	35.4	26.2	—	13.50
AC19B36B21S	TM8E120C16MP11	21.0	XAF/XAUC60G	1	875	29.2	20.2	17.50	25.95
AC19B36B21S	TM8E120C16MP11	21.0	XAF/XAUC60G	2	1300	35.8	26.8	—	13.75
AC19B36B21S	TM8E120C16MP11	24.5	XAF/XAUD60G	1	825	28.8	19.7	17.25	25.40
AC19B36B21S	TM8E120C16MP11	24.5	XAF/XAUD60G	2	1100	35.2	24.8	—	13.75
AC19B36B21S	TM8E120C16MP11	24.5	XAF/XAUD60H	1	850	29.0	20.2	17.50	25.80
AC19B36B21S	TM8E120C16MP11	24.5	XAF/XAUD60H	2	1300	36.0	26.8	—	13.75
AC19B36B21S	TM8E120C16MP11	21.0	XAFC36D	1	800	28.4	19.3	17.00	24.60
AC19B36B21S	TM8E120C16MP11	21.0	XAFC36D	2	1075	35.0	24.4	—	13.75
AC19B36B21S	TM8E120C16MP11	21.0	XAFC60H	1	875	29.2	20.4	17.50	26.10
AC19B36B21S	TM8E120C16MP11	21.0	XAFC60H	2	1300	36.0	27.0	—	13.75
AC19B36B21S	TM8E120C16MP11	24.5	XAFD48F	1	975	29.2	20.8	17.00	24.90
AC19B36B21S	TM8E120C16MP11	24.5	XAFD48F	2	1300	35.4	26.2	—	13.50
AC19B36B21S	TM8E120C16MP11	21.0	XAHC36D	1	800	28.2	19.2	17.00	24.50
AC19B36B21S	TM8E120C16MP11	21.0	XAHC36D	2	1050	34.8	24.2	—	13.75
AC19B36B21S	TM8E120C16MP11	21.0	XAHC48F	1	875	28.8	19.9	17.25	25.35
AC19B36B21S	TM8E120C16MP11	21.0	XAHC48F	2	1300	35.4	26.2	—	13.50
AC19B36B21S	TM8E120C16MP11	21.0	XAHC60G	1	900	29.4	20.6	17.50	26.20
AC19B36B21S	TM8E120C16MP11	21.0	XAHC60G	2	1325	35.8	26.8	—	13.75
AC19B36B21S	TM8E120C16MP11	21.0	XAHC60H	1	925	29.6	21.0	17.75	26.60
AC19B36B21S	TM8E120C16MP11	21.0	XAHC60H	2	1325	36.0	27.2	—	13.75
AC19B36B21S	TM8E120C16MP11	24.5	XAHD48F	1	975	29.2	20.8	17.00	24.85
AC19B36B21S	TM8E120C16MP11	24.5	XAHD48F	2	1300	35.4	26.2	—	13.50
AC19B36B21S	TM8E120C16MP11	21.0	XAHD60G	1	850	29.0	20.0	17.25	25.60
AC19B36B21S	TM8E120C16MP11	21.0	XAHD60G	2	1300	35.8	26.8	—	13.75
AC19B36B21S	TM8E120C16MP11	24.5	XAHD60H	1	850	29.0	20.2	17.50	25.75
AC19B36B21S	TM8E120C16MP11	24.5	XAHD60H	2	1100	35.6	25.2	—	14.00

SYSTEM CAPACITY - With High Efficiency Motor Furnaces¹ (Continued)

UNIT MODEL	FURNACE MODEL	WIDTH	COIL MODEL ²	STAGE	COOLING				
					RATED CFM	NET MBH		SEER	EER
						TOTAL	SENS.		
AC19B36B21S	TM8V060A12MP12C	14.5	CF/CM/CU36B	1	775	28.2	20.8	16.75	23.65
AC19B36B21S	TM8V060A12MP12C	14.5	CF/CM/CU36B	2	1150	34.6	27.4	16.75	13.00
AC19B36B21S	TM8V060A12MP12C	14.5	CF42B	1	725	28.2	19.9	16.75	23.85
AC19B36B21S	TM8V060A12MP12C	14.5	CF42B	2	1050	34.6	26.2	16.75	13.25
AC19B36B21S	TM8V060A12MP12C	17.5	XAF/XAUB36D	1	725	27.8	18.4	16.25	24.05
AC19B36B21S	TM8V060A12MP12C	17.5	XAF/XAUB36D	2	1050	34.6	24.0	—	13.25
AC19B36B21S	TM8V080B12MP12C	17.5	CF/CM/CU36B	1	675	27.6	19.2	16.50	23.05
AC19B36B21S	TM8V080B12MP12C	17.5	CF/CM/CU36B	2	1000	34.2	25.6	16.50	13.00
AC19B36B21S	TM8V080B12MP12C	17.5	CF/CM/CU42C	1	675	27.8	19.2	16.50	23.50
AC19B36B21S	TM8V080B12MP12C	17.5	CF/CM/CU42C	2	1000	34.4	25.6	16.50	13.25
AC19B36B21S	TM8V080B12MP12C	17.5	CF/CM/CU48C	1	675	27.6	19.4	16.75	23.40
AC19B36B21S	TM8V080B12MP12C	17.5	CF/CM/CU48C	2	1000	34.4	25.8	16.75	13.25
AC19B36B21S	TM8V080B12MP12C	17.5	CF42B	1	675	27.8	19.2	16.50	23.25
AC19B36B21S	TM8V080B12MP12C	17.5	CF42B	2	1000	34.4	25.4	16.50	13.25
AC19B36B21S	TM8V080B12MP12C	17.5	XAF/XAUB36D	1	675	27.0	17.6	16.25	23.15
AC19B36B21S	TM8V080B12MP12C	17.5	XAF/XAUB36D	2	1000	34.2	23.6	—	13.00
AC19B36B21S	TM8V080B12MP12C	21.0	XAF/XAUC48F	1	725	27.6	18.2	16.50	23.55
AC19B36B21S	TM8V080B12MP12C	21.0	XAF/XAUC48F	2	1125	34.6	24.6	—	12.75
AC19B36B21S	TM8V080B12MP12C	21.0	XAF/XAUC60G	1	725	28.0	18.5	16.50	24.25
AC19B36B21S	TM8V080B12MP12C	21.0	XAF/XAUC60G	2	1100	34.8	24.8	—	13.00
AC19B36B21S	TM8V080B12MP12C	21.0	XAFC36D	1	675	27.2	17.8	16.25	23.20
AC19B36B21S	TM8V080B12MP12C	21.0	XAFC36D	2	1000	34.2	23.6	—	13.00
AC19B36B21S	TM8V080B12MP12C	21.0	XAFC60H	1	725	28.0	18.7	16.50	24.40
AC19B36B21S	TM8V080B12MP12C	21.0	XAFC60H	2	1100	35.0	25.0	—	13.00
AC19B36B21S	TM8V080B12MP12C	21.0	XAHC36D	1	675	27.0	17.6	16.25	23.15
AC19B36B21S	TM8V080B12MP12C	21.0	XAHC36D	2	1000	34.2	23.6	—	13.00
AC19B36B21S	TM8V080B12MP12C	21.0	XAHC48F	1	725	27.6	18.2	16.50	23.85
AC19B36B21S	TM8V080B12MP12C	21.0	XAHC48F	2	1125	34.6	24.4	—	12.75
AC19B36B21S	TM8V080B12MP12C	21.0	XAHC60G	1	725	28.0	18.5	16.75	24.65
AC19B36B21S	TM8V080B12MP12C	21.0	XAHC60G	2	1100	34.8	24.8	—	13.25
AC19B36B21S	TM8V080B12MP12C	21.0	XAHC60H	1	725	28.2	18.8	17.00	24.90
AC19B36B21S	TM8V080B12MP12C	21.0	XAHC60H	2	1100	35.2	25.2	—	13.25
AC19B36B21S	TM8V080C16MP12C	21.0	CF/CM/CU48D	1	825	29.0	21.6	17.50	24.80
AC19B36B21S	TM8V080C16MP12C	21.0	CF/CM/CU48D	2	1200	35.4	28.6	17.50	13.75
AC19B36B21S	TM8V080C16MP12C	21.0	CF/CM/CU60D	1	825	28.6	20.8	17.00	24.40
AC19B36B21S	TM8V080C16MP12C	21.0	CF/CM/CU60D	2	1200	35.6	27.0	17.00	13.75
AC19B36B21S	TM8V080C16MP12C	21.0	CF/CM42D	1	850	29.2	21.6	17.50	25.00
AC19B36B21S	TM8V080C16MP12C	21.0	CF/CM42D	2	1275	35.6	29.2	17.50	13.50
AC19B36B21S	TM8V080C16MP12C	21.0	XAF/XAUC48F	1	850	28.6	19.6	16.75	24.80
AC19B36B21S	TM8V080C16MP12C	21.0	XAF/XAUC48F	2	1275	35.4	26.0	—	13.25
AC19B36B21S	TM8V080C16MP12C	21.0	XAF/XAUC60G	1	725	28.2	18.6	17.25	25.10
AC19B36B21S	TM8V080C16MP12C	21.0	XAF/XAUC60G	2	1050	35.0	24.4	—	13.75
AC19B36B21S	TM8V080C16MP12C	24.5	XAF/XAUD60G	1	850	29.0	20.0	17.25	25.50
AC19B36B21S	TM8V080C16MP12C	24.5	XAF/XAUD60G	2	1275	35.6	26.4	—	13.50
AC19B36B21S	TM8V080C16MP12C	24.5	XAF/XAUD60H	1	850	29.0	20.2	17.25	25.50
AC19B36B21S	TM8V080C16MP12C	24.5	XAF/XAUD60H	2	1275	36.0	26.6	—	13.75
AC19B36B21S	TM8V080C16MP12C	21.0	XAFC36D	1	850	28.6	19.8	16.75	24.65
AC19B36B21S	TM8V080C16MP12C	21.0	XAFC36D	2	1275	35.4	26.4	—	13.25
AC19B36B21S	TM8V080C16MP12C	21.0	XAFC60H	1	850	29.0	20.2	17.25	25.75
AC19B36B21S	TM8V080C16MP12C	21.0	XAFC60H	2	1275	36.0	26.8	—	13.75
AC19B36B21S	TM8V080C16MP12C	24.5	XAFD48F	1	900	28.8	20.2	16.75	24.85

SYSTEM CAPACITY - With High Efficiency Motor Furnaces¹ (Continued)

UNIT MODEL	FURNACE MODEL	WIDTH	COIL MODEL ²	STAGE	COOLING				
					RATED CFM	NET MBH		SEER	EER
						TOTAL	SENS.		
AC19B36B21S	TM8V080C16MP12C	24.5	XAFD48F	2	1425	35.8	27.2	—	13.00
AC19B36B21S	TM8V080C16MP12C	21.0	XAHC36D	1	850	28.6	19.8	16.75	24.50
AC19B36B21S	TM8V080C16MP12C	21.0	XAHC36D	2	1275	35.4	26.4	—	13.00
AC19B36B21S	TM8V080C16MP12C	21.0	XAHC48F	1	850	28.6	19.6	17.00	25.05
AC19B36B21S	TM8V080C16MP12C	21.0	XAHC48F	2	1275	35.4	26.0	—	13.25
AC19B36B21S	TM8V080C16MP12C	21.0	XAHC60G	1	800	28.6	19.4	17.50	25.75
AC19B36B21S	TM8V080C16MP12C	21.0	XAHC60G	2	1150	35.4	25.4	—	13.75
AC19B36B21S	TM8V080C16MP12C	21.0	XAHC60H	1	900	29.4	20.8	17.50	26.30
AC19B36B21S	TM8V080C16MP12C	21.0	XAHC60H	2	1375	36.0	27.6	—	13.50
AC19B36B21S	TM8V080C16MP12C	24.5	XAHD48F	1	850	28.6	19.6	16.75	24.75
AC19B36B21S	TM8V080C16MP12C	24.5	XAHD48F	2	1275	35.4	25.8	—	13.25
AC19B36B21S	TM8V080C16MP12C	21.0	XAHD60G	1	850	29.0	20.0	17.00	25.35
AC19B36B21S	TM8V080C16MP12C	21.0	XAHD60G	2	1275	35.6	26.6	—	13.50
AC19B36B21S	TM8V080C16MP12C	24.5	XAHD60H	1	850	29.0	20.2	17.25	25.65
AC19B36B21S	TM8V080C16MP12C	24.5	XAHD60H	2	1275	36.0	26.6	—	13.75
AC19B36B21S	TM8V100C16MP11C	21.0	CF/CM/CU36C	1	850	28.8	21.8	17.50	24.55
AC19B36B21S	TM8V100C16MP11C	21.0	CF/CM/CU36C	2	1275	35.4	29.0	17.50	13.50
AC19B36B21S	TM8V100C16MP11C	21.0	CF/CM/CU42C	1	850	29.2	21.4	17.50	25.10
AC19B36B21S	TM8V100C16MP11C	21.0	CF/CM/CU42C	2	1275	35.6	29.0	17.50	13.75
AC19B36B21S	TM8V100C16MP11C	21.0	CF/CM/CU48C	1	825	28.8	21.4	17.50	24.90
AC19B36B21S	TM8V100C16MP11C	21.0	CF/CM/CU48C	2	1200	35.6	28.6	17.50	13.75
AC19B36B21S	TM8V100C16MP11C	21.0	CF/CM/CU60C	1	850	29.0	21.8	17.75	25.00
AC19B36B21S	TM8V100C16MP11C	21.0	CF/CM/CU60C	2	1275	36.0	29.0	17.75	13.75
AC19B36B21S	TM8V100C16MP11C	21.0	CF/CM64D	1	850	29.4	22.0	17.75	25.50
AC19B36B21S	TM8V100C16MP11C	21.0	CF/CM64D	2	1275	36.0	28.8	17.75	14.00
AC19B36B21S	TM8V100C16MP12C	21.0	CF/CM/CU48D	1	825	29.0	21.6	17.50	24.80
AC19B36B21S	TM8V100C16MP12C	21.0	CF/CM/CU48D	2	1200	35.4	28.6	17.50	13.75
AC19B36B21S	TM8V100C16MP12C	21.0	CF/CM/CU60D	1	825	28.6	20.8	17.00	24.40
AC19B36B21S	TM8V100C16MP12C	21.0	CF/CM/CU60D	2	1200	35.6	27.0	17.00	13.75
AC19B36B21S	TM8V100C16MP12C	21.0	CF/CM42D	1	850	29.2	21.6	17.50	25.00
AC19B36B21S	TM8V100C16MP12C	21.0	CF/CM42D	2	1275	35.6	29.2	17.50	13.50
AC19B36B21S	TM8V100C16MP12C	21.0	XAF/XAUC48F	1	850	28.6	19.6	16.75	24.80
AC19B36B21S	TM8V100C16MP12C	21.0	XAF/XAUC48F	2	1275	35.4	26.0	—	13.25
AC19B36B21S	TM8V100C16MP12C	21.0	XAF/XAUC60G	1	725	28.2	18.6	17.25	25.10
AC19B36B21S	TM8V100C16MP12C	21.0	XAF/XAUC60G	2	1050	35.0	24.4	—	13.75
AC19B36B21S	TM8V100C16MP12C	24.5	XAF/XAUD60G	1	850	29.0	20.0	17.25	25.50
AC19B36B21S	TM8V100C16MP12C	24.5	XAF/XAUD60G	2	1275	35.6	26.4	—	13.50
AC19B36B21S	TM8V100C16MP12C	24.5	XAF/XAUD60H	1	850	29.0	20.2	17.25	25.50
AC19B36B21S	TM8V100C16MP12C	24.5	XAF/XAUD60H	2	1275	36.0	26.6	—	13.75
AC19B36B21S	TM8V100C16MP12C	21.0	XAFC36D	1	850	28.6	19.8	16.75	24.65
AC19B36B21S	TM8V100C16MP12C	21.0	XAFC36D	2	1275	35.4	26.4	—	13.25
AC19B36B21S	TM8V100C16MP12C	21.0	XAFC60H	1	850	29.0	20.2	17.25	25.75
AC19B36B21S	TM8V100C16MP12C	21.0	XAFC60H	2	1275	36.0	26.8	—	13.75
AC19B36B21S	TM8V100C16MP12C	24.5	XAFD48F	1	900	28.8	20.2	16.75	24.85
AC19B36B21S	TM8V100C16MP12C	24.5	XAFD48F	2	1425	35.8	27.2	—	13.00
AC19B36B21S	TM8V100C16MP12C	21.0	XAHC36D	1	850	28.6	19.8	16.75	24.50
AC19B36B21S	TM8V100C16MP12C	21.0	XAHC36D	2	1275	35.4	26.4	—	13.00
AC19B36B21S	TM8V100C16MP12C	21.0	XAHC48F	1	850	28.6	19.6	17.00	25.05
AC19B36B21S	TM8V100C16MP12C	21.0	XAHC48F	2	1275	35.4	26.0	—	13.25
AC19B36B21S	TM8V100C16MP12C	21.0	XAHC60G	1	800	28.6	19.4	17.50	25.75
AC19B36B21S	TM8V100C16MP12C	21.0	XAHC60G	2	1150	35.4	25.4	—	13.75

SYSTEM CAPACITY - With High Efficiency Motor Furnaces¹ (Continued)

UNIT MODEL	FURNACE MODEL	WIDTH	COIL MODEL ²	STAGE	COOLING				
					RATED CFM	NET MBH		SEER	EER
						TOTAL	SENS.		
AC19B36B21S	TM8V100C16MP12C	21.0	XAHC60H	1	900	29.4	20.8	17.50	26.30
AC19B36B21S	TM8V100C16MP12C	21.0	XAHC60H	2	1375	36.0	27.6	—	13.50
AC19B36B21S	TM8V100C16MP12C	24.5	XAHD48F	1	850	28.6	19.6	16.75	24.75
AC19B36B21S	TM8V100C16MP12C	24.5	XAHD48F	2	1275	35.4	25.8	—	13.25
AC19B36B21S	TM8V100C16MP12C	21.0	XAHD60G	1	850	29.0	20.0	17.00	25.35
AC19B36B21S	TM8V100C16MP12C	21.0	XAHD60G	2	1275	35.6	26.6	—	13.50
AC19B36B21S	TM8V100C16MP12C	24.5	XAHD60H	1	850	29.0	20.2	17.25	25.65
AC19B36B21S	TM8V100C16MP12C	24.5	XAHD60H	2	1275	36.0	26.6	—	13.75
AC19B36B21S	TM8V100C20MP11C	21.0	CF/CM64D	1	925	30.0	23.0	18.25	26.20
AC19B36B21S	TM8V100C20MP11C	21.0	CF/CM64D	2	1375	36.0	29.4	18.25	14.25
AC19B36B21S	TM8V100C20MP12C	21.0	CF/CM/CU48D	1	925	29.6	22.8	17.75	25.40
AC19B36B21S	TM8V100C20MP12C	21.0	CF/CM/CU48D	2	1375	35.8	30.6	17.75	13.75
AC19B36B21S	TM8V100C20MP12C	21.0	CF/CM/CU60D	1	875	29.0	21.6	17.50	24.90
AC19B36B21S	TM8V100C20MP12C	21.0	CF/CM/CU60D	2	1225	35.8	27.4	17.50	14.00
AC19B36B21S	TM8V100C20MP12C	21.0	CF/CM42D	1	875	29.4	22.0	17.75	25.40
AC19B36B21S	TM8V100C20MP12C	21.0	CF/CM42D	2	1225	35.8	28.4	17.75	14.00
AC19B36B21S	TM8V100C20MP12C	21.0	CF/CM64D	1	925	30.0	23.0	18.25	26.20
AC19B36B21S	TM8V100C20MP12C	21.0	CF/CM64D	2	1375	36.0	29.4	18.25	14.25
AC19B36B21S	TM8V100C20MP12C	21.0	XAF/XAUC60G	1	925	29.4	20.8	17.50	26.15
AC19B36B21S	TM8V100C20MP12C	21.0	XAF/XAUC60G	2	1375	36.0	27.2	—	13.75
AC19B36B21S	TM8V100C20MP12C	21.0	XAFC60H	1	925	29.6	21.0	17.75	26.35
AC19B36B21S	TM8V100C20MP12C	21.0	XAFC60H	2	1375	36.0	27.4	—	14.00
AC19B36B21S	TM8V100C20MP12C	21.0	XAHC48F	1	925	29.0	20.4	17.25	25.60
AC19B36B21S	TM8V100C20MP12C	21.0	XAHC48F	2	1375	35.8	26.8	—	13.50
AC19B36B21S	TM8V100C20MP12C	21.0	XAHC60G	1	900	29.4	20.6	17.75	26.40
AC19B36B21S	TM8V100C20MP12C	21.0	XAHC60G	2	1325	36.0	26.8	—	14.00
AC19B36B21S	TM8V100C20MP12C	21.0	XAHC60H	1	925	29.6	21.0	18.00	26.75
AC19B36B21S	TM8V100C20MP12C	21.0	XAHC60H	2	1375	36.0	27.4	—	14.00
AC19B36B21S	TM8V120C20MP11C	21.0	CF/CM/CU36C	1	850	28.8	21.8	17.50	24.75
AC19B36B21S	TM8V120C20MP11C	21.0	CF/CM/CU36C	2	1225	35.4	28.8	17.50	14.00
AC19B36B21S	TM8V120C20MP11C	21.0	CF/CM/CU42C	1	875	29.4	22.2	17.75	25.50
AC19B36B21S	TM8V120C20MP11C	21.0	CF/CM/CU42C	2	1325	36.0	29.4	17.75	14.00
AC19B36B21S	TM8V120C20MP11C	21.0	CF/CM/CU48C	1	875	29.4	22.4	17.75	25.45
AC19B36B21S	TM8V120C20MP11C	21.0	CF/CM/CU48C	2	1225	35.8	28.8	17.75	14.00
AC19B36B21S	TM8V120C20MP11C	21.0	CF/CM/CU60C	1	875	29.4	22.0	17.75	25.75
AC19B36B21S	TM8V120C20MP11C	21.0	CF/CM/CU60C	2	1325	36.0	29.6	17.75	14.00
AC19B36B21S	TM8V120C20MP11C	21.0	CF/CM64D	1	925	30.0	23.0	18.25	26.20
AC19B36B21S	TM8V120C20MP11C	21.0	CF/CM64D	2	1375	36.0	29.4	18.25	14.25
AC19B36B21S	TM8V120C20MP12C	21.0	CF/CM/CU48D	1	925	29.6	22.8	17.75	25.40
AC19B36B21S	TM8V120C20MP12C	21.0	CF/CM/CU48D	2	1375	35.8	30.6	17.75	13.75
AC19B36B21S	TM8V120C20MP12C	21.0	CF/CM/CU60D	1	875	29.0	21.6	17.50	24.90
AC19B36B21S	TM8V120C20MP12C	21.0	CF/CM/CU60D	2	1225	35.8	27.4	17.50	14.00
AC19B36B21S	TM8V120C20MP12C	21.0	CF/CM42D	1	875	29.4	22.0	17.75	25.40
AC19B36B21S	TM8V120C20MP12C	21.0	CF/CM42D	2	1225	35.8	28.4	17.75	14.00
AC19B36B21S	TM8V120C20MP12C	21.0	CF/CM64D	1	925	30.0	23.0	18.25	26.20
AC19B36B21S	TM8V120C20MP12C	21.0	CF/CM64D	2	1375	36.0	29.4	18.25	14.25
AC19B36B21S	TM8V120C20MP12C	21.0	XAF/XAUC60G	1	925	29.4	20.8	17.50	26.15
AC19B36B21S	TM8V120C20MP12C	21.0	XAF/XAUC60G	2	1375	36.0	27.2	—	13.75
AC19B36B21S	TM8V120C20MP12C	21.0	XAFC60H	1	925	29.6	21.0	17.75	26.35
AC19B36B21S	TM8V120C20MP12C	21.0	XAFC60H	2	1375	36.0	27.4	—	14.00
AC19B36B21S	TM8V120C20MP12C	21.0	XAHC48F	1	925	29.0	20.4	17.25	25.60

SYSTEM CAPACITY - With High Efficiency Motor Furnaces¹ (Continued)

UNIT MODEL	FURNACE MODEL	WIDTH	COIL MODEL ²	STAGE	COOLING				
					RATED CFM	NET MBH		SEER	EER
						TOTAL	SENS.		
AC19B36B21S	TM8V120C20MP12C	21.0	XAHC48F	2	1375	35.8	26.8	—	13.50
AC19B36B21S	TM8V120C20MP12C	21.0	XAHC60G	1	900	29.4	20.6	17.75	26.40
AC19B36B21S	TM8V120C20MP12C	21.0	XAHC60G	2	1325	36.0	26.8	—	14.00
AC19B36B21S	TM8V120C20MP12C	21.0	XAHC60H	1	925	29.6	21.0	18.00	26.75
AC19B36B21S	TM8V120C20MP12C	21.0	XAHC60H	2	1375	36.0	27.4	—	14.00
AC19B36B21S	TM8X060A12MP11	14.5	CF/CM/CU36B	1	700	27.8	19.6	16.75	23.75
AC19B36B21S	TM8X060A12MP11	14.5	CF/CM/CU36B	2	1125	34.8	27.0	16.75	13.00
AC19B36B21S	TM8X060A12MP11	14.5	CF42B	1	750	28.4	20.4	16.75	23.90
AC19B36B21S	TM8X060A12MP11	14.5	CF42B	2	1125	35.0	27.0	16.75	13.25
AC19B36B21S	TM8X080B12MP11	17.5	CF/CM/CU36B	1	850	28.6	21.8	17.00	23.65
AC19B36B21S	TM8X080B12MP11	17.5	CF/CM/CU36B	2	975	34.2	25.4	17.00	13.50
AC19B36B21S	TM8X080B12MP11	17.5	CF/CM/CU36C	1	825	28.6	21.6	17.00	24.25
AC19B36B21S	TM8X080B12MP11	17.5	CF/CM/CU36C	2	1200	35.0	28.0	17.00	13.25
AC19B36B21S	TM8X080B12MP11	17.5	CF/CM/CU42C	1	875	29.2	21.8	17.25	24.65
AC19B36B21S	TM8X080B12MP11	17.5	CF/CM/CU42C	2	1200	35.4	28.2	17.25	13.25
AC19B36B21S	TM8X080B12MP11	17.5	CF/CM/CU48C	1	750	28.4	20.6	17.25	24.70
AC19B36B21S	TM8X080B12MP11	17.5	CF/CM/CU48C	2	1200	35.4	28.4	17.25	13.50
AC19B36B21S	TM8X080B12MP11	17.5	CF/CM/CU60C	1	825	28.4	20.8	17.00	24.15
AC19B36B21S	TM8X080B12MP11	17.5	CF/CM/CU60C	2	1200	35.6	26.8	17.00	13.50
AC19B36B21S	TM8X080B12MP11	17.5	CF42B	1	800	28.8	21.0	17.00	24.35
AC19B36B21S	TM8X080B12MP11	17.5	CF42B	2	1150	35.2	27.2	17.00	13.50
AC19B36B21S	TM8X080C16MP11	21.0	CF/CM/CU36C	1	750	28.2	20.6	17.50	24.50
AC19B36B21S	TM8X080C16MP11	21.0	CF/CM/CU36C	2	1150	35.2	27.8	17.50	14.00
AC19B36B21S	TM8X080C16MP11	21.0	CF/CM/CU42C	1	1000	30.0	23.4	17.50	25.05
AC19B36B21S	TM8X080C16MP11	21.0	CF/CM/CU42C	2	1150	35.6	27.4	17.50	14.00
AC19B36B21S	TM8X080C16MP11	21.0	CF/CM/CU48C	1	750	28.4	20.2	17.50	24.85
AC19B36B21S	TM8X080C16MP11	21.0	CF/CM/CU48C	2	1150	35.4	28.0	17.50	14.00
AC19B36B21S	TM8X080C16MP11	21.0	CF/CM/CU48D	1	1000	30.2	23.6	17.50	25.30
AC19B36B21S	TM8X080C16MP11	21.0	CF/CM/CU48D	2	1150	35.4	28.0	17.50	14.00
AC19B36B21S	TM8X080C16MP11	21.0	CF/CM/CU60C	1	1000	29.6	23.0	17.25	24.55
AC19B36B21S	TM8X080C16MP11	21.0	CF/CM/CU60C	2	1150	35.6	27.0	17.25	14.00
AC19B36B21S	TM8X080C16MP11	21.0	CF/CM/CU60D	1	1025	29.8	23.0	17.25	25.05
AC19B36B21S	TM8X080C16MP11	21.0	CF/CM/CU60D	2	1400	36.0	28.8	17.25	13.50
AC19B36B21S	TM8X080C16MP11	21.0	CF/CM36D	1	750	28.2	20.6	17.25	24.60
AC19B36B21S	TM8X080C16MP11	21.0	CF/CM36D	2	1175	35.2	28.0	17.25	13.75
AC19B36B21S	TM8X080C16MP11	21.0	CF/CM42D	1	750	28.4	20.4	17.50	24.90
AC19B36B21S	TM8X080C16MP11	21.0	CF/CM42D	2	1175	35.8	27.8	17.50	14.00
AC19B36B21S	TM8X080C16MP11	21.0	CF/CM64D	1	750	28.8	20.8	17.75	25.30
AC19B36B21S	TM8X080C16MP11	21.0	CF/CM64D	2	1150	36.0	27.6	17.75	14.25
AC19B36B21S	TM8X100C16MP11	21.0	CF/CM/CU36C	1	750	28.2	20.6	17.50	24.50
AC19B36B21S	TM8X100C16MP11	21.0	CF/CM/CU36C	2	1150	35.2	27.8	17.50	14.00
AC19B36B21S	TM8X100C16MP11	21.0	CF/CM/CU42C	1	1000	30.0	23.4	17.50	25.05
AC19B36B21S	TM8X100C16MP11	21.0	CF/CM/CU42C	2	1150	35.6	27.4	17.50	14.00
AC19B36B21S	TM8X100C16MP11	21.0	CF/CM/CU48C	1	750	28.4	20.2	17.50	24.85
AC19B36B21S	TM8X100C16MP11	21.0	CF/CM/CU48C	2	1150	35.4	28.0	17.50	14.00
AC19B36B21S	TM8X100C16MP11	21.0	CF/CM/CU48D	1	1000	30.2	23.6	17.50	25.30
AC19B36B21S	TM8X100C16MP11	21.0	CF/CM/CU48D	2	1150	35.4	28.0	17.50	14.00
AC19B36B21S	TM8X100C16MP11	21.0	CF/CM/CU60C	1	1000	29.6	23.0	17.25	24.55
AC19B36B21S	TM8X100C16MP11	21.0	CF/CM/CU60C	2	1150	35.6	27.0	17.25	14.00
AC19B36B21S	TM8X100C16MP11	21.0	CF/CM/CU60D	1	1025	29.8	23.0	17.25	25.05
AC19B36B21S	TM8X100C16MP11	21.0	CF/CM/CU60D	2	1400	36.0	28.8	17.25	13.50

SYSTEM CAPACITY - With High Efficiency Motor Furnaces¹ (Continued)

UNIT MODEL	FURNACE MODEL	WIDTH	COIL MODEL ²	STAGE	COOLING				
					RATED CFM	NET MBH		SEER	EER
						TOTAL	SENS.		
AC19B36B21S	TM8X100C16MP11	21.0	CF/CM36D	1	750	28.2	20.6	17.25	24.60
AC19B36B21S	TM8X100C16MP11	21.0	CF/CM36D	2	1175	35.2	28.0	17.25	13.75
AC19B36B21S	TM8X100C16MP11	21.0	CF/CM42D	1	750	28.4	20.4	17.50	24.90
AC19B36B21S	TM8X100C16MP11	21.0	CF/CM42D	2	1175	35.8	27.8	17.50	14.00
AC19B36B21S	TM8X100C16MP11	21.0	CF/CM64D	1	750	28.8	20.8	17.75	25.30
AC19B36B21S	TM8X100C16MP11	21.0	CF/CM64D	2	1150	36.0	27.6	17.75	14.25
AC19B36B21S	TM8X100C20MP11	21.0	CF/CM/CU36C	1	1025	29.8	23.6	17.50	24.95
AC19B36B21S	TM8X100C20MP11	21.0	CF/CM/CU36C	2	1225	35.4	28.8	17.50	14.00
AC19B36B21S	TM8X100C20MP11	21.0	CF/CM/CU42C	1	1050	30.2	24.2	17.75	25.50
AC19B36B21S	TM8X100C20MP11	21.0	CF/CM/CU42C	2	1400	36.0	30.2	17.75	13.75
AC19B36B21S	TM8X100C20MP11	21.0	CF/CM/CU48C	1	1050	30.2	24.2	18.00	25.50
AC19B36B21S	TM8X100C20MP11	21.0	CF/CM/CU48C	2	1225	35.8	28.8	18.00	14.25
AC19B36B21S	TM8X100C20MP11	21.0	CF/CM/CU48D	1	1050	30.2	24.0	17.75	25.55
AC19B36B21S	TM8X100C20MP11	21.0	CF/CM/CU48D	2	1250	36.0	29.0	17.75	14.00
AC19B36B21S	TM8X100C20MP11	21.0	CF/CM/CU60C	1	1025	29.8	22.8	17.50	24.90
AC19B36B21S	TM8X100C20MP11	21.0	CF/CM/CU60C	2	1225	36.0	27.2	17.50	14.25
AC19B36B21S	TM8X100C20MP11	21.0	CF/CM/CU60D	1	1050	30.0	23.4	17.50	25.15
AC19B36B21S	TM8X100C20MP11	21.0	CF/CM/CU60D	2	1250	36.0	27.8	17.50	14.00
AC19B36B21S	TM8X100C20MP11	21.0	CF/CM36D	1	1050	30.0	24.2	17.50	25.10
AC19B36B21S	TM8X100C20MP11	21.0	CF/CM36D	2	1250	35.6	29.0	17.50	14.00
AC19B36B21S	TM8X100C20MP11	21.0	CF/CM42D	1	1050	30.2	24.2	17.75	25.50
AC19B36B21S	TM8X100C20MP11	21.0	CF/CM42D	2	1250	35.8	28.8	17.75	14.00
AC19B36B21S	TM8X100C20MP11	21.0	CF/CM64D	1	1050	30.6	24.6	18.00	26.00
AC19B36B21S	TM8X100C20MP11	21.0	CF/CM64D	2	1225	36.0	28.4	18.00	14.50
AC19B36B21S	TM8X120C20MP11	21.0	CF/CM/CU36C	1	1025	29.8	23.6	17.50	24.95
AC19B36B21S	TM8X120C20MP11	21.0	CF/CM/CU36C	2	1225	35.4	28.8	17.50	14.00
AC19B36B21S	TM8X120C20MP11	21.0	CF/CM/CU42C	1	1050	30.2	24.2	17.75	25.50
AC19B36B21S	TM8X120C20MP11	21.0	CF/CM/CU42C	2	1400	36.0	30.2	17.75	13.75
AC19B36B21S	TM8X120C20MP11	21.0	CF/CM/CU48C	1	1050	30.2	24.2	18.00	25.50
AC19B36B21S	TM8X120C20MP11	21.0	CF/CM/CU48C	2	1225	35.8	28.8	18.00	14.25
AC19B36B21S	TM8X120C20MP11	21.0	CF/CM/CU48D	1	1050	30.2	24.0	17.75	25.55
AC19B36B21S	TM8X120C20MP11	21.0	CF/CM/CU48D	2	1250	36.0	29.0	17.75	14.00
AC19B36B21S	TM8X120C20MP11	21.0	CF/CM/CU60C	1	1025	29.8	22.8	17.50	24.90
AC19B36B21S	TM8X120C20MP11	21.0	CF/CM/CU60C	2	1225	36.0	27.2	17.50	14.25
AC19B36B21S	TM8X120C20MP11	21.0	CF/CM/CU60D	1	1050	30.0	23.4	17.50	25.15
AC19B36B21S	TM8X120C20MP11	21.0	CF/CM/CU60D	2	1250	36.0	27.8	17.50	14.00
AC19B36B21S	TM8X120C20MP11	21.0	CF/CM36D	1	1050	30.0	24.2	17.50	25.10
AC19B36B21S	TM8X120C20MP11	21.0	CF/CM36D	2	1250	35.6	29.0	17.50	14.00
AC19B36B21S	TM8X120C20MP11	21.0	CF/CM42D	1	1050	30.2	24.2	17.75	25.50
AC19B36B21S	TM8X120C20MP11	21.0	CF/CM42D	2	1250	35.8	28.8	17.75	14.00
AC19B36B21S	TM8X120C20MP11	21.0	CF/CM64D	1	1050	30.6	24.6	18.00	26.00
AC19B36B21S	TM8X120C20MP11	21.0	CF/CM64D	2	1225	36.0	28.4	18.00	14.50
AC19B36B21S	TM8Y060A12MP11	14.5	CF/CM/CU36B	1	700	27.8	19.6	16.75	23.75
AC19B36B21S	TM8Y060A12MP11	14.5	CF/CM/CU36B	2	1125	34.8	27.0	16.75	13.00
AC19B36B21S	TM8Y060A12MP11	14.5	CF42B	1	750	28.4	20.4	16.75	23.90
AC19B36B21S	TM8Y060A12MP11	14.5	CF42B	2	1125	35.0	27.0	16.75	13.25
AC19B36B21S	TM8Y060A12MP11	17.5	XAF/XAUB36D	1	675	27.2	17.7	16.50	23.60
AC19B36B21S	TM8Y060A12MP11	17.5	XAF/XAUB36D	2	1100	34.6	24.6	—	13.00
AC19B36B21S	TM8Y060A12MP11	17.5	XAHB36D	1	800	28.2	19.2	16.25	23.65
AC19B36B21S	TM8Y060A12MP11	17.5	XAHB36D	2	1075	34.6	24.4	—	13.00
AC19B36B21S	TM8Y080B12MP11	17.5	CF/CM/CU36B	1	850	28.6	21.8	17.00	23.65

SYSTEM CAPACITY - With High Efficiency Motor Furnaces¹ (Continued)

UNIT MODEL	FURNACE MODEL	WIDTH	COIL MODEL ²	STAGE	COOLING				
					RATED CFM	NET MBH		SEER	EER
						TOTAL	SENS.		
AC19B36B21S	TM8Y080B12MP11	17.5	CF/CM/CU36B	2	975	34.2	25.4	17.00	13.50
AC19B36B21S	TM8Y080B12MP11	17.5	CF/CM/CU36C	1	825	28.6	21.6	17.00	24.25
AC19B36B21S	TM8Y080B12MP11	17.5	CF/CM/CU36C	2	1200	35.0	28.0	17.00	13.25
AC19B36B21S	TM8Y080B12MP11	17.5	CF/CM/CU42C	1	875	29.2	21.8	17.25	24.65
AC19B36B21S	TM8Y080B12MP11	17.5	CF/CM/CU42C	2	1200	35.4	28.2	17.25	13.25
AC19B36B21S	TM8Y080B12MP11	17.5	CF/CM/CU48C	1	750	28.4	20.6	17.25	24.70
AC19B36B21S	TM8Y080B12MP11	17.5	CF/CM/CU48C	2	1200	35.4	28.4	17.25	13.50
AC19B36B21S	TM8Y080B12MP11	17.5	CF/CM/CU60C	1	825	28.4	20.8	17.00	24.15
AC19B36B21S	TM8Y080B12MP11	17.5	CF/CM/CU60C	2	1200	35.6	26.8	17.00	13.50
AC19B36B21S	TM8Y080B12MP11	17.5	CF42B	1	800	28.8	21.0	17.00	24.35
AC19B36B21S	TM8Y080B12MP11	17.5	CF42B	2	1150	35.2	27.2	17.00	13.50
AC19B36B21S	TM8Y080B12MP11	17.5	XAF/XAUB36D	1	775	28.2	19.0	16.75	24.20
AC19B36B21S	TM8Y080B12MP11	17.5	XAF/XAUB36D	2	1150	35.0	25.2	—	13.00
AC19B36B21S	TM8Y080B12MP11	21.0	XAF/XAUC48F	1	725	27.6	18.1	16.75	24.35
AC19B36B21S	TM8Y080B12MP11	21.0	XAF/XAUC48F	2	1175	35.0	25.0	—	13.25
AC19B36B21S	TM8Y080B12MP11	21.0	XAF/XAUC60G	1	725	28.0	18.5	16.75	24.95
AC19B36B21S	TM8Y080B12MP11	21.0	XAF/XAUC60G	2	975	34.6	23.6	—	13.50
AC19B36B21S	TM8Y080B12MP11	21.0	XAFC36D	1	800	28.4	19.3	16.75	24.40
AC19B36B21S	TM8Y080B12MP11	21.0	XAFC36D	2	1175	35.0	25.2	—	13.25
AC19B36B21S	TM8Y080B12MP11	21.0	XAFC60H	1	825	28.8	19.8	17.25	25.45
AC19B36B21S	TM8Y080B12MP11	21.0	XAFC60H	2	1200	35.6	26.2	—	13.50
AC19B36B21S	TM8Y080B12MP11	17.5	XAHB36D	1	750	28.0	18.7	16.25	23.85
AC19B36B21S	TM8Y080B12MP11	17.5	XAHB36D	2	1125	34.8	25.0	—	13.00
AC19B36B21S	TM8Y080B12MP11	21.0	XAHC36D	1	775	28.2	19.0	16.75	24.20
AC19B36B21S	TM8Y080B12MP11	21.0	XAHC36D	2	1150	35.0	25.0	—	13.00
AC19B36B21S	TM8Y080B12MP11	21.0	XAHC48F	1	750	28.0	18.5	16.75	24.85
AC19B36B21S	TM8Y080B12MP11	21.0	XAHC48F	2	1200	35.2	25.2	—	13.25
AC19B36B21S	TM8Y080B12MP11	21.0	XAHC60G	1	750	28.4	18.9	17.25	25.35
AC19B36B21S	TM8Y080B12MP11	21.0	XAHC60G	2	1000	34.6	23.8	—	13.75
AC19B36B21S	TM8Y080B12MP11	21.0	XAHC60H	1	775	28.6	19.3	17.50	25.85
AC19B36B21S	TM8Y080B12MP11	21.0	XAHC60H	2	1225	35.8	26.4	—	13.50
AC19B36B21S	TM8Y080C16MP11	21.0	CF/CM/CU36C	1	750	28.2	20.6	17.50	24.50
AC19B36B21S	TM8Y080C16MP11	21.0	CF/CM/CU36C	2	1150	35.2	27.8	17.50	14.00
AC19B36B21S	TM8Y080C16MP11	21.0	CF/CM/CU42C	1	1000	30.0	23.4	17.50	25.05
AC19B36B21S	TM8Y080C16MP11	21.0	CF/CM/CU42C	2	1150	35.6	27.4	17.50	14.00
AC19B36B21S	TM8Y080C16MP11	21.0	CF/CM/CU48C	1	750	28.4	20.2	17.50	24.85
AC19B36B21S	TM8Y080C16MP11	21.0	CF/CM/CU48C	2	1150	35.4	28.0	17.50	14.00
AC19B36B21S	TM8Y080C16MP11	21.0	CF/CM/CU48D	1	1000	30.2	23.6	17.50	25.30
AC19B36B21S	TM8Y080C16MP11	21.0	CF/CM/CU48D	2	1150	35.4	28.0	17.50	14.00
AC19B36B21S	TM8Y080C16MP11	21.0	CF/CM/CU60C	1	1000	29.6	23.0	17.25	24.55
AC19B36B21S	TM8Y080C16MP11	21.0	CF/CM/CU60C	2	1150	35.6	27.0	17.25	14.00
AC19B36B21S	TM8Y080C16MP11	21.0	CF/CM/CU60D	1	1025	29.8	23.0	17.25	25.05
AC19B36B21S	TM8Y080C16MP11	21.0	CF/CM/CU60D	2	1400	36.0	28.8	17.25	13.50
AC19B36B21S	TM8Y080C16MP11	21.0	CF/CM36D	1	750	28.2	20.6	17.25	24.60
AC19B36B21S	TM8Y080C16MP11	21.0	CF/CM36D	2	1175	35.2	28.0	17.25	13.75
AC19B36B21S	TM8Y080C16MP11	21.0	CF/CM42D	1	750	28.4	20.4	17.50	24.90
AC19B36B21S	TM8Y080C16MP11	21.0	CF/CM42D	2	1175	35.8	27.8	17.50	14.00
AC19B36B21S	TM8Y080C16MP11	21.0	CF/CM64D	1	750	28.8	20.8	17.75	25.30
AC19B36B21S	TM8Y080C16MP11	21.0	CF/CM64D	2	1150	36.0	27.6	17.75	14.25
AC19B36B21S	TM8Y080C16MP11	21.0	XAF/XAUC48F	1	800	28.2	19.0	17.25	25.25
AC19B36B21S	TM8Y080C16MP11	21.0	XAF/XAUC48F	2	1375	35.8	27.0	—	13.25

SYSTEM CAPACITY - With High Efficiency Motor Furnaces¹ (Continued)

UNIT MODEL	FURNACE MODEL	WIDTH	COIL MODEL ²	STAGE	COOLING				
					RATED CFM	NET MBH		SEER	EER
						TOTAL	SENS.		
AC19B36B21S	TM8Y080C16MP11	21.0	XAF/XAUC60G	1	800	28.8	19.5	17.50	25.80
AC19B36B21S	TM8Y080C16MP11	21.0	XAF/XAUC60G	2	1175	35.6	25.8	—	14.00
AC19B36B21S	TM8Y080C16MP11	24.5	XAF/XAUD60G	1	800	28.6	19.4	17.50	25.75
AC19B36B21S	TM8Y080C16MP11	24.5	XAF/XAUD60G	2	1175	35.6	25.6	—	14.00
AC19B36B21S	TM8Y080C16MP11	24.5	XAF/XAUD60H	1	775	28.6	19.3	17.50	25.55
AC19B36B21S	TM8Y080C16MP11	24.5	XAF/XAUD60H	2	1150	35.8	25.6	—	14.00
AC19B36B21S	TM8Y080C16MP11	21.0	XAFC36D	1	775	28.0	18.9	17.00	24.90
AC19B36B21S	TM8Y080C16MP11	21.0	XAFC36D	2	1325	35.4	26.8	—	13.25
AC19B36B21S	TM8Y080C16MP11	21.0	XAFC60H	1	825	29.0	19.9	17.75	26.25
AC19B36B21S	TM8Y080C16MP11	21.0	XAFC60H	2	1400	36.0	27.6	—	13.50
AC19B36B21S	TM8Y080C16MP11	24.5	XAFD48F	1	800	28.2	19.0	17.25	25.25
AC19B36B21S	TM8Y080C16MP11	24.5	XAFD48F	2	1375	35.8	26.8	—	13.25
AC19B36B21S	TM8Y080C16MP11	21.0	XAHC36D	1	775	28.0	18.9	17.00	24.85
AC19B36B21S	TM8Y080C16MP11	21.0	XAHC36D	2	1325	35.4	26.8	—	13.25
AC19B36B21S	TM8Y080C16MP11	21.0	XAHC48F	1	825	28.4	19.3	17.25	25.60
AC19B36B21S	TM8Y080C16MP11	21.0	XAHC48F	2	1375	35.8	27.0	—	13.25
AC19B36B21S	TM8Y080C16MP11	21.0	XAHC60G	1	850	29.0	19.9	17.50	26.50
AC19B36B21S	TM8Y080C16MP11	21.0	XAHC60G	2	1400	36.0	27.4	—	13.50
AC19B36B21S	TM8Y080C16MP11	21.0	XAHC60H	1	850	29.2	20.2	18.00	26.65
AC19B36B21S	TM8Y080C16MP11	21.0	XAHC60H	2	1400	36.0	28.2	—	13.75
AC19B36B21S	TM8Y080C16MP11	24.5	XAHD48F	1	775	28.0	18.7	17.00	25.00
AC19B36B21S	TM8Y080C16MP11	24.5	XAHD48F	2	1375	35.8	26.8	—	13.25
AC19B36B21S	TM8Y080C16MP11	21.0	XAHD60G	1	775	28.6	19.2	17.50	25.45
AC19B36B21S	TM8Y080C16MP11	21.0	XAHD60G	2	1150	35.4	25.4	—	13.75
AC19B36B21S	TM8Y080C16MP11	24.5	XAHD60H	1	800	28.8	19.6	17.50	25.90
AC19B36B21S	TM8Y080C16MP11	24.5	XAHD60H	2	1175	35.8	25.8	—	14.00
AC19B36B21S	TM8Y100C16MP11	21.0	CF/CM/CU36C	1	750	28.2	20.6	17.50	24.50
AC19B36B21S	TM8Y100C16MP11	21.0	CF/CM/CU36C	2	1150	35.2	27.8	17.50	14.00
AC19B36B21S	TM8Y100C16MP11	21.0	CF/CM/CU42C	1	1000	30.0	23.4	17.50	25.05
AC19B36B21S	TM8Y100C16MP11	21.0	CF/CM/CU42C	2	1150	35.6	27.4	17.50	14.00
AC19B36B21S	TM8Y100C16MP11	21.0	CF/CM/CU48C	1	750	28.4	20.2	17.50	24.85
AC19B36B21S	TM8Y100C16MP11	21.0	CF/CM/CU48C	2	1150	35.4	28.0	17.50	14.00
AC19B36B21S	TM8Y100C16MP11	21.0	CF/CM/CU48D	1	1000	30.2	23.6	17.50	25.30
AC19B36B21S	TM8Y100C16MP11	21.0	CF/CM/CU48D	2	1150	35.4	28.0	17.50	14.00
AC19B36B21S	TM8Y100C16MP11	21.0	CF/CM/CU60C	1	1000	29.6	23.0	17.25	24.55
AC19B36B21S	TM8Y100C16MP11	21.0	CF/CM/CU60C	2	1150	35.6	27.0	17.25	14.00
AC19B36B21S	TM8Y100C16MP11	21.0	CF/CM/CU60D	1	1025	29.8	23.0	17.25	25.05
AC19B36B21S	TM8Y100C16MP11	21.0	CF/CM/CU60D	2	1400	36.0	28.8	17.25	13.50
AC19B36B21S	TM8Y100C16MP11	21.0	CF/CM36D	1	750	28.2	20.6	17.25	24.60
AC19B36B21S	TM8Y100C16MP11	21.0	CF/CM36D	2	1175	35.2	28.0	17.25	13.75
AC19B36B21S	TM8Y100C16MP11	21.0	CF/CM42D	1	750	28.4	20.4	17.50	24.90
AC19B36B21S	TM8Y100C16MP11	21.0	CF/CM42D	2	1175	35.8	27.8	17.50	14.00
AC19B36B21S	TM8Y100C16MP11	21.0	CF/CM64D	1	750	28.8	20.8	17.75	25.30
AC19B36B21S	TM8Y100C16MP11	21.0	CF/CM64D	2	1150	36.0	27.6	17.75	14.25
AC19B36B21S	TM8Y100C16MP11	21.0	XAF/XAUC48F	1	800	28.2	19.0	17.25	25.25
AC19B36B21S	TM8Y100C16MP11	21.0	XAF/XAUC48F	2	1375	35.8	27.0	—	13.25
AC19B36B21S	TM8Y100C16MP11	21.0	XAF/XAUC60G	1	800	28.8	19.5	17.50	25.80
AC19B36B21S	TM8Y100C16MP11	21.0	XAF/XAUC60G	2	1175	35.6	25.8	—	14.00
AC19B36B21S	TM8Y100C16MP11	24.5	XAF/XAUD60G	1	800	28.6	19.4	17.50	25.75
AC19B36B21S	TM8Y100C16MP11	24.5	XAF/XAUD60G	2	1175	35.6	25.6	—	14.00
AC19B36B21S	TM8Y100C16MP11	24.5	XAF/XAUD60H	1	775	28.6	19.3	17.50	25.55

SYSTEM CAPACITY - With High Efficiency Motor Furnaces¹ (Continued)

UNIT MODEL	FURNACE MODEL	WIDTH	COIL MODEL ²	STAGE	COOLING				
					RATED CFM	NET MBH		SEER	EER
						TOTAL	SENS.		
AC19B36B21S	TM8Y100C16MP11	24.5	XAF/XAUD60H	2	1150	35.8	25.6	—	14.00
AC19B36B21S	TM8Y100C16MP11	21.0	XAFC36D	1	775	28.0	18.9	17.00	24.90
AC19B36B21S	TM8Y100C16MP11	21.0	XAFC36D	2	1325	35.4	26.8	—	13.25
AC19B36B21S	TM8Y100C16MP11	21.0	XAFC60H	1	825	29.0	19.9	17.75	26.25
AC19B36B21S	TM8Y100C16MP11	21.0	XAFC60H	2	1400	36.0	27.6	—	13.50
AC19B36B21S	TM8Y100C16MP11	24.5	XAFD48F	1	800	28.2	19.0	17.25	25.25
AC19B36B21S	TM8Y100C16MP11	24.5	XAFD48F	2	1375	35.8	26.8	—	13.25
AC19B36B21S	TM8Y100C16MP11	21.0	XAHC36D	1	775	28.0	18.9	17.00	24.85
AC19B36B21S	TM8Y100C16MP11	21.0	XAHC36D	2	1325	35.4	26.8	—	13.25
AC19B36B21S	TM8Y100C16MP11	21.0	XAHC48F	1	825	28.4	19.3	17.25	25.60
AC19B36B21S	TM8Y100C16MP11	21.0	XAHC48F	2	1375	35.8	27.0	—	13.25
AC19B36B21S	TM8Y100C16MP11	21.0	XAHC60G	1	850	29.0	19.9	17.50	26.50
AC19B36B21S	TM8Y100C16MP11	21.0	XAHC60G	2	1400	36.0	27.4	—	13.50
AC19B36B21S	TM8Y100C16MP11	21.0	XAHC60H	1	850	29.2	20.2	18.00	26.65
AC19B36B21S	TM8Y100C16MP11	21.0	XAHC60H	2	1400	36.0	28.2	—	13.75
AC19B36B21S	TM8Y100C16MP11	24.5	XAHD48F	1	775	28.0	18.7	17.00	25.00
AC19B36B21S	TM8Y100C16MP11	24.5	XAHD48F	2	1375	35.8	26.8	—	13.25
AC19B36B21S	TM8Y100C16MP11	21.0	XAHD60G	1	775	28.6	19.2	17.50	25.45
AC19B36B21S	TM8Y100C16MP11	21.0	XAHD60G	2	1150	35.4	25.4	—	13.75
AC19B36B21S	TM8Y100C16MP11	24.5	XAHD60H	1	800	28.8	19.6	17.50	25.90
AC19B36B21S	TM8Y100C16MP11	24.5	XAHD60H	2	1175	35.8	25.8	—	14.00
AC19B36B21S	TM8Y100C20MP11	21.0	CF/CM/CU36C	1	1025	29.8	23.6	17.50	24.95
AC19B36B21S	TM8Y100C20MP11	21.0	CF/CM/CU36C	2	1225	35.4	28.8	17.50	14.00
AC19B36B21S	TM8Y100C20MP11	21.0	CF/CM/CU42C	1	1050	30.2	24.2	17.75	25.50
AC19B36B21S	TM8Y100C20MP11	21.0	CF/CM/CU42C	2	1400	36.0	30.2	17.75	13.75
AC19B36B21S	TM8Y100C20MP11	21.0	CF/CM/CU48C	1	1050	30.2	24.2	18.00	25.50
AC19B36B21S	TM8Y100C20MP11	21.0	CF/CM/CU48C	2	1225	35.8	28.8	18.00	14.25
AC19B36B21S	TM8Y100C20MP11	21.0	CF/CM/CU48D	1	1050	30.2	24.0	17.75	25.55
AC19B36B21S	TM8Y100C20MP11	21.0	CF/CM/CU48D	2	1250	36.0	29.0	17.75	14.00
AC19B36B21S	TM8Y100C20MP11	21.0	CF/CM/CU60C	1	1025	29.8	22.8	17.50	24.90
AC19B36B21S	TM8Y100C20MP11	21.0	CF/CM/CU60C	2	1225	36.0	27.2	17.50	14.25
AC19B36B21S	TM8Y100C20MP11	21.0	CF/CM/CU60D	1	1050	30.0	23.4	17.50	25.15
AC19B36B21S	TM8Y100C20MP11	21.0	CF/CM/CU60D	2	1250	36.0	27.8	17.50	14.00
AC19B36B21S	TM8Y100C20MP11	21.0	CF/CM36D	1	1050	30.0	24.2	17.50	25.10
AC19B36B21S	TM8Y100C20MP11	21.0	CF/CM36D	2	1250	35.6	29.0	17.50	14.00
AC19B36B21S	TM8Y100C20MP11	21.0	CF/CM42D	1	1050	30.2	24.2	17.75	25.50
AC19B36B21S	TM8Y100C20MP11	21.0	CF/CM42D	2	1250	35.8	28.8	17.75	14.00
AC19B36B21S	TM8Y100C20MP11	21.0	CF/CM64D	1	1050	30.6	24.6	18.00	26.00
AC19B36B21S	TM8Y100C20MP11	21.0	CF/CM64D	2	1225	36.0	28.4	18.00	14.50
AC19B36B21S	TM8Y100C20MP11	21.0	XAF/XAUC48F	1	1000	29.2	21.0	17.00	24.90
AC19B36B21S	TM8Y100C20MP11	21.0	XAF/XAUC48F	2	1200	35.4	25.4	—	13.75
AC19B36B21S	TM8Y100C20MP11	21.0	XAF/XAUC60G	1	1050	30.0	22.0	17.50	25.90
AC19B36B21S	TM8Y100C20MP11	21.0	XAF/XAUC60G	2	1400	36.0	27.4	—	13.75
AC19B36B21S	TM8Y100C20MP11	24.5	XAF/XAUD60G	1	1050	30.0	22.0	17.50	25.90
AC19B36B21S	TM8Y100C20MP11	24.5	XAF/XAUD60G	2	1400	36.0	27.2	—	13.75
AC19B36B21S	TM8Y100C20MP11	24.5	XAF/XAUD60H	1	1025	30.0	22.0	17.50	25.90
AC19B36B21S	TM8Y100C20MP11	24.5	XAF/XAUD60H	2	1375	36.0	27.4	—	13.75
AC19B36B21S	TM8Y100C20MP11	21.0	XAFC36D	1	1000	29.4	21.4	16.75	24.95
AC19B36B21S	TM8Y100C20MP11	21.0	XAFC36D	2	1325	35.8	26.8	—	13.50
AC19B36B21S	TM8Y100C20MP11	21.0	XAFC60H	1	1050	30.2	22.4	17.50	26.15
AC19B36B21S	TM8Y100C20MP11	21.0	XAFC60H	2	1400	36.0	27.6	—	14.00

SYSTEM CAPACITY - With High Efficiency Motor Furnaces¹ (Continued)

UNIT MODEL	FURNACE MODEL	WIDTH	COIL MODEL ²	STAGE	COOLING				
					RATED CFM	NET MBH		SEER	EER
						TOTAL	SENS.		
AC19B36B21S	TM8Y100C20MP11	24.5	XAFD48F	1	1025	29.4	21.2	17.00	25.05
AC19B36B21S	TM8Y100C20MP11	24.5	XAFD48F	2	1200	35.4	25.2	—	13.75
AC19B36B21S	TM8Y100C20MP11	21.0	XAHC36D	1	1000	29.2	21.2	16.75	24.85
AC19B36B21S	TM8Y100C20MP11	21.0	XAHC36D	2	1325	35.6	26.8	—	13.50
AC19B36B21S	TM8Y100C20MP11	21.0	XAHC48F	1	1025	29.4	21.2	17.00	25.10
AC19B36B21S	TM8Y100C20MP11	21.0	XAHC48F	2	1200	35.4	25.4	—	13.75
AC19B36B21S	TM8Y100C20MP11	21.0	XAHC60G	1	1075	30.0	22.2	17.50	26.15
AC19B36B21S	TM8Y100C20MP11	21.0	XAHC60G	2	1400	36.0	27.4	—	13.75
AC19B36B21S	TM8Y100C20MP11	21.0	XAHC60H	1	1100	30.4	22.8	17.75	26.55
AC19B36B21S	TM8Y100C20MP11	21.0	XAHC60H	2	1400	36.0	27.6	—	14.00
AC19B36B21S	TM8Y100C20MP11	24.5	XAHD48F	1	1000	29.2	21.0	17.00	24.90
AC19B36B21S	TM8Y100C20MP11	24.5	XAHD48F	2	1200	35.4	25.2	—	13.75
AC19B36B21S	TM8Y100C20MP11	21.0	XAHD60G	1	1025	29.8	21.8	17.25	25.70
AC19B36B21S	TM8Y100C20MP11	21.0	XAHD60G	2	1375	36.0	27.2	—	13.75
AC19B36B21S	TM8Y100C20MP11	24.5	XAHD60H	1	1050	30.2	22.4	17.50	26.10
AC19B36B21S	TM8Y100C20MP11	24.5	XAHD60H	2	1375	36.0	27.4	—	13.75
AC19B36B21S	TM8Y120C20MP11	21.0	CF/CM/CU36C	1	1025	29.8	23.6	17.50	24.95
AC19B36B21S	TM8Y120C20MP11	21.0	CF/CM/CU36C	2	1225	35.4	28.8	17.50	14.00
AC19B36B21S	TM8Y120C20MP11	21.0	CF/CM/CU42C	1	1050	30.2	24.2	17.75	25.50
AC19B36B21S	TM8Y120C20MP11	21.0	CF/CM/CU42C	2	1400	36.0	30.2	17.75	13.75
AC19B36B21S	TM8Y120C20MP11	21.0	CF/CM/CU48C	1	1050	30.2	24.2	18.00	25.50
AC19B36B21S	TM8Y120C20MP11	21.0	CF/CM/CU48C	2	1225	35.8	28.8	18.00	14.25
AC19B36B21S	TM8Y120C20MP11	21.0	CF/CM/CU48D	1	1050	30.2	24.0	17.75	25.55
AC19B36B21S	TM8Y120C20MP11	21.0	CF/CM/CU48D	2	1250	36.0	29.0	17.75	14.00
AC19B36B21S	TM8Y120C20MP11	21.0	CF/CM/CU60C	1	1025	29.8	22.8	17.50	24.90
AC19B36B21S	TM8Y120C20MP11	21.0	CF/CM/CU60C	2	1225	36.0	27.2	17.50	14.25
AC19B36B21S	TM8Y120C20MP11	21.0	CF/CM/CU60D	1	1050	30.0	23.4	17.50	25.15
AC19B36B21S	TM8Y120C20MP11	21.0	CF/CM/CU60D	2	1250	36.0	27.8	17.50	14.00
AC19B36B21S	TM8Y120C20MP11	21.0	CF/CM36D	1	1050	30.0	24.2	17.50	25.10
AC19B36B21S	TM8Y120C20MP11	21.0	CF/CM36D	2	1250	35.6	29.0	17.50	14.00
AC19B36B21S	TM8Y120C20MP11	21.0	CF/CM42D	1	1050	30.2	24.2	17.75	25.50
AC19B36B21S	TM8Y120C20MP11	21.0	CF/CM42D	2	1250	35.8	28.8	17.75	14.00
AC19B36B21S	TM8Y120C20MP11	21.0	CF/CM64D	1	1050	30.6	24.6	18.00	26.00
AC19B36B21S	TM8Y120C20MP11	21.0	CF/CM64D	2	1225	36.0	28.4	18.00	14.50
AC19B36B21S	TM8Y120C20MP11	21.0	XAF/XAUC48F	1	1000	29.2	21.0	17.00	24.90
AC19B36B21S	TM8Y120C20MP11	21.0	XAF/XAUC48F	2	1200	35.4	25.4	—	13.75
AC19B36B21S	TM8Y120C20MP11	21.0	XAF/XAUC60G	1	1050	30.0	22.0	17.50	25.90
AC19B36B21S	TM8Y120C20MP11	21.0	XAF/XAUC60G	2	1400	36.0	27.4	—	13.75
AC19B36B21S	TM8Y120C20MP11	24.5	XAF/XAUD60G	1	1050	30.0	22.0	17.50	25.90
AC19B36B21S	TM8Y120C20MP11	24.5	XAF/XAUD60G	2	1400	36.0	27.2	—	13.75
AC19B36B21S	TM8Y120C20MP11	24.5	XAF/XAUD60H	1	1025	30.0	22.0	17.50	25.90
AC19B36B21S	TM8Y120C20MP11	24.5	XAF/XAUD60H	2	1375	36.0	27.4	—	13.75
AC19B36B21S	TM8Y120C20MP11	21.0	XAFC36D	1	1000	29.4	21.4	16.75	24.95
AC19B36B21S	TM8Y120C20MP11	21.0	XAFC36D	2	1325	35.8	26.8	—	13.50
AC19B36B21S	TM8Y120C20MP11	21.0	XAFC60H	1	1050	30.2	22.4	17.50	26.15
AC19B36B21S	TM8Y120C20MP11	21.0	XAFC60H	2	1400	36.0	27.6	—	14.00
AC19B36B21S	TM8Y120C20MP11	24.5	XAFD48F	1	1025	29.4	21.2	17.00	25.05
AC19B36B21S	TM8Y120C20MP11	24.5	XAFD48F	2	1200	35.4	25.2	—	13.75
AC19B36B21S	TM8Y120C20MP11	21.0	XAHC36D	1	1000	29.2	21.2	16.75	24.85
AC19B36B21S	TM8Y120C20MP11	21.0	XAHC36D	2	1325	35.6	26.8	—	13.50
AC19B36B21S	TM8Y120C20MP11	21.0	XAHC48F	1	1025	29.4	21.2	17.00	25.10

SYSTEM CAPACITY - With High Efficiency Motor Furnaces¹ (Continued)

UNIT MODEL	FURNACE MODEL	WIDTH	COIL MODEL ²	STAGE	COOLING				
					RATED CFM	NET MBH		SEER	EER
						TOTAL	SENS.		
AC19B36B21S	TM8Y120C20MP11	21.0	XAHC48F	2	1200	35.4	25.4	—	13.75
AC19B36B21S	TM8Y120C20MP11	21.0	XAHC60G	1	1075	30.0	22.2	17.50	26.15
AC19B36B21S	TM8Y120C20MP11	21.0	XAHC60G	2	1400	36.0	27.4	—	13.75
AC19B36B21S	TM8Y120C20MP11	21.0	XAHC60H	1	1100	30.4	22.8	17.75	26.55
AC19B36B21S	TM8Y120C20MP11	21.0	XAHC60H	2	1400	36.0	27.6	—	14.00
AC19B36B21S	TM8Y120C20MP11	24.5	XAHD48F	1	1000	29.2	21.0	17.00	24.90
AC19B36B21S	TM8Y120C20MP11	24.5	XAHD48F	2	1200	35.4	25.2	—	13.75
AC19B36B21S	TM8Y120C20MP11	21.0	XAHD60G	1	1025	29.8	21.8	17.25	25.70
AC19B36B21S	TM8Y120C20MP11	21.0	XAHD60G	2	1375	36.0	27.2	—	13.75
AC19B36B21S	TM8Y120C20MP11	24.5	XAHD60H	1	1050	30.2	22.4	17.50	26.10
AC19B36B21S	TM8Y120C20MP11	24.5	XAHD60H	2	1375	36.0	27.4	—	13.75
AC19B36B21S	TM9E060A10MP12	14.5	CF/CM/CU36B	1	725	27.8	20.0	16.50	23.15
AC19B36B21S	TM9E060A10MP12	14.5	CF/CM/CU36B	2	1025	34.4	26.0	16.50	13.00
AC19B36B21S	TM9E060A10MP12	14.5	CF42B	1	725	28.0	19.8	16.50	23.50
AC19B36B21S	TM9E060A10MP12	14.5	CF42B	2	1025	34.4	25.8	16.50	13.00
AC19B36B21S	TM9E060A10MP12	17.5	XAF/XAUB36D	1	725	27.6	18.3	16.00	23.40
AC19B36B21S	TM9E060A10MP12	17.5	XAF/XAUB36D	2	1025	34.4	23.8	—	13.00
AC19B36B21S	TM9E060A10MP12	17.5	XAHB36D	1	700	27.4	18.0	16.25	23.20
AC19B36B21S	TM9E060A10MP12	17.5	XAHB36D	2	1000	34.2	23.6	—	12.75
AC19B36B21S	TM9E060B12MP11	17.5	CF/CM/CU36B	1	700	27.8	19.6	16.75	23.20
AC19B36B21S	TM9E060B12MP11	17.5	CF/CM/CU36B	2	950	34.0	24.8	16.75	13.25
AC19B36B21S	TM9E060B12MP11	17.5	CF/CM/CU36C	1	700	27.8	19.6	16.50	23.25
AC19B36B21S	TM9E060B12MP11	17.5	CF/CM/CU36C	2	975	34.2	25.6	16.50	13.25
AC19B36B21S	TM9E060B12MP11	17.5	CF/CM/CU42C	1	725	28.0	19.9	16.75	23.80
AC19B36B21S	TM9E060B12MP11	17.5	CF/CM/CU42C	2	1125	35.0	27.0	16.75	13.00
AC19B36B21S	TM9E060B12MP11	17.5	CF/CM/CU48C	1	725	28.2	20.0	17.00	23.85
AC19B36B21S	TM9E060B12MP11	17.5	CF/CM/CU48C	2	975	34.6	25.2	17.00	13.50
AC19B36B21S	TM9E060B12MP11	17.5	CF/CM/CU60C	1	725	27.6	19.0	16.25	23.20
AC19B36B21S	TM9E060B12MP11	17.5	CF/CM/CU60C	2	1125	34.8	26.8	16.25	13.00
AC19B36B21S	TM9E060B12MP11	17.5	CF42B	1	700	27.8	19.5	16.50	23.45
AC19B36B21S	TM9E060B12MP11	17.5	CF42B	2	1100	34.6	26.6	16.50	13.00
AC19B36B21S	TM9E060B12MP12	17.5	CF/CM/CU36B	1	775	28.2	20.6	16.75	23.35
AC19B36B21S	TM9E060B12MP12	17.5	CF/CM/CU36B	2	1075	34.6	26.2	16.75	13.25
AC19B36B21S	TM9E060B12MP12	17.5	CF/CM/CU36C	1	775	28.2	20.6	16.75	23.45
AC19B36B21S	TM9E060B12MP12	17.5	CF/CM/CU36C	2	1100	34.8	26.8	16.75	13.00
AC19B36B21S	TM9E060B12MP12	17.5	CF/CM/CU42C	1	775	28.4	20.6	16.75	23.80
AC19B36B21S	TM9E060B12MP12	17.5	CF/CM/CU42C	2	1100	34.8	26.8	16.75	13.25
AC19B36B21S	TM9E060B12MP12	17.5	CF/CM/CU48C	1	775	28.4	20.8	16.75	23.90
AC19B36B21S	TM9E060B12MP12	17.5	CF/CM/CU48C	2	1100	34.8	27.0	16.75	13.25
AC19B36B21S	TM9E060B12MP12	17.5	CF/CM/CU60C	1	775	28.0	20.0	16.50	23.30
AC19B36B21S	TM9E060B12MP12	17.5	CF/CM/CU60C	2	1100	35.0	26.2	16.50	13.25
AC19B36B21S	TM9E060B12MP12	17.5	CF42B	1	750	28.2	20.2	16.75	23.50
AC19B36B21S	TM9E060B12MP12	17.5	CF42B	2	1050	34.6	26.0	16.75	13.25
AC19B36B21S	TM9E060B12MP12	17.5	XAF/XAUB36D	1	750	27.8	18.6	16.00	23.50
AC19B36B21S	TM9E060B12MP12	17.5	XAF/XAUB36D	2	1050	34.4	24.2	—	13.00
AC19B36B21S	TM9E060B12MP12	21.0	XAF/XAUC48F	1	775	28.0	18.8	16.25	23.85
AC19B36B21S	TM9E060B12MP12	21.0	XAF/XAUC48F	2	1075	34.6	24.0	—	13.00
AC19B36B21S	TM9E060B12MP12	21.0	XAF/XAUC60G	1	775	28.4	19.2	16.25	24.35
AC19B36B21S	TM9E060B12MP12	21.0	XAF/XAUC60G	2	950	34.2	23.2	—	13.25
AC19B36B21S	TM9E060B12MP12	21.0	XAFC36D	1	750	27.8	18.6	16.00	23.50
AC19B36B21S	TM9E060B12MP12	21.0	XAFC36D	2	1050	34.4	24.0	—	13.00

SYSTEM CAPACITY - With High Efficiency Motor Furnaces¹ (Continued)

UNIT MODEL	FURNACE MODEL	WIDTH	COIL MODEL ²	STAGE	COOLING				
					RATED CFM	NET MBH		SEER	EER
						TOTAL	SENS.		
AC19B36B21S	TM9E060B12MP12	21.0	XAFC60H	1	800	28.6	19.6	16.75	24.80
AC19B36B21S	TM9E060B12MP12	21.0	XAFC60H	2	1225	35.4	26.4	—	13.00
AC19B36B21S	TM9E060B12MP12	17.5	XAHB36D	1	725	27.4	18.2	16.00	23.15
AC19B36B21S	TM9E060B12MP12	17.5	XAHB36D	2	1025	34.2	23.8	—	12.75
AC19B36B21S	TM9E060B12MP12	21.0	XAHC36D	1	750	27.8	18.6	16.00	23.50
AC19B36B21S	TM9E060B12MP12	21.0	XAHC36D	2	1050	34.4	24.0	—	13.00
AC19B36B21S	TM9E060B12MP12	21.0	XAHC48F	1	775	28.2	18.9	16.25	23.95
AC19B36B21S	TM9E060B12MP12	21.0	XAHC48F	2	950	34.2	22.8	—	13.25
AC19B36B21S	TM9E060B12MP12	21.0	XAHC60G	1	800	28.6	19.5	16.25	24.70
AC19B36B21S	TM9E060B12MP12	21.0	XAHC60G	2	975	34.4	23.4	—	13.25
AC19B36B21S	TM9E060B12MP12	21.0	XAHC60H	1	825	28.8	19.9	17.00	25.10
AC19B36B21S	TM9E060B12MP12	21.0	XAHC60H	2	1100	35.2	25.2	—	13.50
AC19B36B21S	TM9E080B12MP11	17.5	CF/CM/CU36B	1	725	28.0	20.2	16.75	23.55
AC19B36B21S	TM9E080B12MP11	17.5	CF/CM/CU36B	2	975	34.2	25.4	16.75	13.50
AC19B36B21S	TM9E080B12MP11	17.5	CF/CM/CU36C	1	750	28.2	20.6	17.00	24.10
AC19B36B21S	TM9E080B12MP11	17.5	CF/CM/CU36C	2	1175	34.8	27.8	17.00	13.25
AC19B36B21S	TM9E080B12MP11	17.5	CF/CM/CU42C	1	725	28.2	20.0	17.00	24.00
AC19B36B21S	TM9E080B12MP11	17.5	CF/CM/CU42C	2	1000	34.8	25.8	17.00	13.75
AC19B36B21S	TM9E080B12MP11	17.5	CF/CM/CU48C	1	750	28.4	20.6	17.25	24.30
AC19B36B21S	TM9E080B12MP11	17.5	CF/CM/CU48C	2	1000	34.8	26.0	17.25	13.75
AC19B36B21S	TM9E080B12MP11	17.5	CF/CM/CU60C	1	725	27.6	19.2	16.50	23.40
AC19B36B21S	TM9E080B12MP11	17.5	CF/CM/CU60C	2	1000	34.6	25.2	16.50	13.75
AC19B36B21S	TM9E080B12MP11	17.5	CF42B	1	700	28.0	19.5	17.00	23.70
AC19B36B21S	TM9E080B12MP11	17.5	CF42B	2	975	34.6	25.2	17.00	13.75
AC19B36B21S	TM9E080B12MP12	17.5	CF/CM/CU36B	1	825	28.4	21.4	17.00	23.75
AC19B36B21S	TM9E080B12MP12	17.5	CF/CM/CU36B	2	1050	34.6	26.2	17.00	13.50
AC19B36B21S	TM9E080B12MP12	17.5	CF/CM/CU36C	1	825	28.4	21.4	16.75	23.80
AC19B36B21S	TM9E080B12MP12	17.5	CF/CM/CU36C	2	1075	34.8	26.4	16.75	13.50
AC19B36B21S	TM9E080B12MP12	17.5	CF/CM/CU42C	1	825	28.8	21.2	17.00	24.30
AC19B36B21S	TM9E080B12MP12	17.5	CF/CM/CU42C	2	1075	35.0	26.6	17.00	13.50
AC19B36B21S	TM9E080B12MP12	17.5	CF/CM/CU48C	1	850	29.0	21.6	17.00	24.55
AC19B36B21S	TM9E080B12MP12	17.5	CF/CM/CU48C	2	1075	35.0	26.8	17.00	13.50
AC19B36B21S	TM9E080B12MP12	17.5	CF/CM/CU60C	1	825	28.4	20.8	16.75	23.75
AC19B36B21S	TM9E080B12MP12	17.5	CF/CM/CU60C	2	1075	35.0	26.0	16.75	13.50
AC19B36B21S	TM9E080B12MP12	17.5	CF42B	1	800	28.6	21.0	16.75	23.95
AC19B36B21S	TM9E080B12MP12	17.5	CF42B	2	1025	34.6	25.8	16.75	13.50
AC19B36B21S	TM9E080B12MP12	17.5	XAF/XAUB36D	1	825	28.4	19.5	16.50	24.20
AC19B36B21S	TM9E080B12MP12	17.5	XAF/XAUB36D	2	1200	34.6	25.6	—	12.75
AC19B36B21S	TM9E080B12MP12	21.0	XAF/XAUC48F	1	850	28.4	19.5	16.50	24.55
AC19B36B21S	TM9E080B12MP12	21.0	XAF/XAUC48F	2	1325	35.0	26.4	—	12.50
AC19B36B21S	TM9E080B12MP12	21.0	XAF/XAUC60G	1	850	28.8	19.9	16.75	25.00
AC19B36B21S	TM9E080B12MP12	21.0	XAF/XAUC60G	2	1075	35.0	24.6	—	13.50
AC19B36B21S	TM9E080B12MP12	21.0	XAFC36D	1	825	28.4	19.5	16.50	24.20
AC19B36B21S	TM9E080B12MP12	21.0	XAFC36D	2	1200	34.8	25.6	—	12.75
AC19B36B21S	TM9E080B12MP12	21.0	XAFC60H	1	850	29.0	20.2	17.25	25.20
AC19B36B21S	TM9E080B12MP12	21.0	XAFC60H	2	1075	35.2	24.8	—	13.75
AC19B36B21S	TM9E080B12MP12	17.5	XAHB36D	1	775	28.0	19.0	16.25	23.60
AC19B36B21S	TM9E080B12MP12	17.5	XAHB36D	2	1000	34.4	23.8	—	13.25
AC19B36B21S	TM9E080B12MP12	21.0	XAHC36D	1	800	28.2	19.2	16.50	24.00
AC19B36B21S	TM9E080B12MP12	21.0	XAHC36D	2	1025	34.6	23.8	—	13.25
AC19B36B21S	TM9E080B12MP12	21.0	XAHC48F	1	850	28.4	19.5	16.75	24.50

SYSTEM CAPACITY - With High Efficiency Motor Furnaces¹ (Continued)

UNIT MODEL	FURNACE MODEL	WIDTH	COIL MODEL ²	STAGE	COOLING				
					RATED CFM	NET MBH		SEER	EER
						TOTAL	SENS.		
AC19B36B21S	TM9E080B12MP12	21.0	XAHC48F	2	1075	34.8	24.0	—	13.50
AC19B36B21S	TM9E080B12MP12	21.0	XAHC60G	1	850	29.0	20.0	16.75	25.05
AC19B36B21S	TM9E080B12MP12	21.0	XAHC60G	2	975	34.6	23.6	—	13.50
AC19B36B21S	TM9E080B12MP12	21.0	XAHC60H	1	900	29.4	20.8	17.25	25.80
AC19B36B21S	TM9E080B12MP12	21.0	XAHC60H	2	1250	35.8	26.6	—	13.25
AC19B36B21S	TM9E080C16MP11	21.0	CF/CM/CU36C	1	650	27.6	18.8	17.00	23.70
AC19B36B21S	TM9E080C16MP11	21.0	CF/CM/CU36C	2	975	34.4	25.6	17.00	13.75
AC19B36B21S	TM9E080C16MP11	21.0	CF/CM/CU42C	1	700	28.0	19.7	17.25	24.50
AC19B36B21S	TM9E080C16MP11	21.0	CF/CM/CU42C	2	1250	35.6	28.6	17.25	13.25
AC19B36B21S	TM9E080C16MP11	21.0	CF/CM/CU48C	1	675	27.6	19.5	17.25	24.05
AC19B36B21S	TM9E080C16MP11	21.0	CF/CM/CU48C	2	975	34.8	25.6	17.25	14.00
AC19B36B21S	TM9E080C16MP11	21.0	CF/CM/CU48D	1	675	27.6	19.5	17.25	24.05
AC19B36B21S	TM9E080C16MP11	21.0	CF/CM/CU48D	2	975	34.8	25.6	17.25	14.00
AC19B36B21S	TM9E080C16MP11	21.0	CF/CM/CU60C	1	1025	29.6	23.0	16.75	24.20
AC19B36B21S	TM9E080C16MP11	21.0	CF/CM/CU60C	2	1250	35.6	27.4	16.75	13.50
AC19B36B21S	TM9E080C16MP11	21.0	CF/CM/CU60D	1	1025	29.6	23.0	16.75	24.25
AC19B36B21S	TM9E080C16MP11	21.0	CF/CM/CU60D	2	1275	35.8	27.6	16.75	13.50
AC19B36B21S	TM9E080C16MP11	21.0	CF/CM36D	1	675	27.6	19.4	17.00	23.75
AC19B36B21S	TM9E080C16MP11	21.0	CF/CM36D	2	975	34.4	25.6	17.00	13.75
AC19B36B21S	TM9E080C16MP11	21.0	CF/CM42D	1	675	27.8	19.2	17.00	24.10
AC19B36B21S	TM9E080C16MP11	21.0	CF/CM42D	2	975	34.6	25.2	17.00	14.00
AC19B36B21S	TM9E080C16MP11	21.0	CF/CM64D	1	700	28.2	19.7	17.50	24.90
AC19B36B21S	TM9E080C16MP11	21.0	CF/CM64D	2	1275	36.0	28.8	17.50	13.75
AC19B36B21S	TM9E080C16MP12	21.0	CF/CM/CU36C	1	800	28.4	21.2	17.25	24.30
AC19B36B21S	TM9E080C16MP12	21.0	CF/CM/CU36C	2	1075	34.8	26.4	17.25	13.75
AC19B36B21S	TM9E080C16MP12	21.0	CF/CM/CU42C	1	800	28.8	21.0	17.50	24.75
AC19B36B21S	TM9E080C16MP12	21.0	CF/CM/CU42C	2	1075	35.0	26.6	17.50	14.00
AC19B36B21S	TM9E080C16MP12	21.0	CF/CM/CU48C	1	800	28.8	21.0	17.50	24.70
AC19B36B21S	TM9E080C16MP12	21.0	CF/CM/CU48C	2	1100	35.2	27.4	17.50	14.00
AC19B36B21S	TM9E080C16MP12	21.0	CF/CM/CU48D	1	825	29.0	21.2	17.50	25.10
AC19B36B21S	TM9E080C16MP12	21.0	CF/CM/CU48D	2	1275	36.0	28.6	17.50	13.50
AC19B36B21S	TM9E080C16MP12	21.0	CF/CM/CU60C	1	950	29.2	22.4	17.00	24.40
AC19B36B21S	TM9E080C16MP12	21.0	CF/CM/CU60C	2	1275	35.8	27.6	17.00	13.75
AC19B36B21S	TM9E080C16MP12	21.0	CF/CM/CU60D	1	825	28.4	20.8	17.00	24.45
AC19B36B21S	TM9E080C16MP12	21.0	CF/CM/CU60D	2	1275	35.8	27.6	17.00	13.50
AC19B36B21S	TM9E080C16MP12	21.0	CF/CM36D	1	825	28.6	21.6	17.25	24.55
AC19B36B21S	TM9E080C16MP12	21.0	CF/CM36D	2	1275	35.4	29.0	17.25	13.25
AC19B36B21S	TM9E080C16MP12	21.0	CF/CM42D	1	825	29.0	21.2	17.25	25.05
AC19B36B21S	TM9E080C16MP12	21.0	CF/CM42D	2	1275	35.6	29.0	17.25	13.50
AC19B36B21S	TM9E080C16MP12	21.0	CF/CM64D	1	800	29.0	21.0	17.75	25.30
AC19B36B21S	TM9E080C16MP12	21.0	CF/CM64D	2	1275	36.0	28.8	17.75	13.75
AC19B36B21S	TM9E080C16MP12	21.0	XAF/XAUC48F	1	900	28.8	20.2	16.75	24.30
AC19B36B21S	TM9E080C16MP12	21.0	XAF/XAUC48F	2	1075	34.8	24.2	—	13.75
AC19B36B21S	TM9E080C16MP12	21.0	XAF/XAUC60G	1	800	28.6	19.4	17.00	25.30
AC19B36B21S	TM9E080C16MP12	21.0	XAF/XAUC60G	2	1075	35.0	24.6	—	13.75
AC19B36B21S	TM9E080C16MP12	24.5	XAF/XAUD60G	1	800	28.6	19.4	17.00	25.35
AC19B36B21S	TM9E080C16MP12	24.5	XAF/XAUD60G	2	1250	35.4	26.2	—	13.50
AC19B36B21S	TM9E080C16MP12	24.5	XAF/XAUD60H	1	750	28.4	19.1	17.25	24.90
AC19B36B21S	TM9E080C16MP12	24.5	XAF/XAUD60H	2	1075	35.4	25.0	—	13.75
AC19B36B21S	TM9E080C16MP12	21.0	XAFC36D	1	775	28.2	19.0	17.00	24.60
AC19B36B21S	TM9E080C16MP12	21.0	XAFC36D	2	1225	34.8	25.8	—	13.25

SYSTEM CAPACITY - With High Efficiency Motor Furnaces¹ (Continued)

UNIT MODEL	FURNACE MODEL	WIDTH	COIL MODEL ²	STAGE	COOLING				
					RATED CFM	NET MBH		SEER	EER
						TOTAL	SENS.		
AC19B36B21S	TM9E080C16MP12	21.0	XAFC60H	1	800	28.8	19.6	17.25	25.45
AC19B36B21S	TM9E080C16MP12	21.0	XAFC60H	2	1075	35.4	25.0	—	14.00
AC19B36B21S	TM9E080C16MP12	24.5	XAFD48F	1	900	28.8	20.2	16.75	24.30
AC19B36B21S	TM9E080C16MP12	24.5	XAFD48F	2	1075	34.8	24.0	—	13.50
AC19B36B21S	TM9E080C16MP12	21.0	XAHC36D	1	750	28.0	18.7	16.75	24.30
AC19B36B21S	TM9E080C16MP12	21.0	XAHC36D	2	1025	34.6	24.0	—	13.50
AC19B36B21S	TM9E080C16MP12	21.0	XAHC48F	1	825	28.4	19.3	17.00	25.05
AC19B36B21S	TM9E080C16MP12	21.0	XAHC48F	2	1250	35.4	25.8	—	13.25
AC19B36B21S	TM9E080C16MP12	21.0	XAHC60G	1	825	28.8	19.7	17.25	25.60
AC19B36B21S	TM9E080C16MP12	21.0	XAHC60G	2	1100	35.2	25.0	—	13.75
AC19B36B21S	TM9E080C16MP12	21.0	XAHC60H	1	850	29.2	20.2	17.50	26.00
AC19B36B21S	TM9E080C16MP12	21.0	XAHC60H	2	1100	35.6	25.4	—	14.00
AC19B36B21S	TM9E080C16MP12	24.5	XAHD48F	1	900	28.8	20.2	16.75	24.25
AC19B36B21S	TM9E080C16MP12	24.5	XAHD48F	2	1075	34.8	24.0	—	13.50
AC19B36B21S	TM9E080C16MP12	21.0	XAHD60G	1	775	28.4	19.1	17.00	25.05
AC19B36B21S	TM9E080C16MP12	21.0	XAHD60G	2	1075	35.0	24.8	—	13.50
AC19B36B21S	TM9E080C16MP12	24.5	XAHD60H	1	775	28.6	19.4	17.25	25.20
AC19B36B21S	TM9E080C16MP12	24.5	XAHD60H	2	1075	35.4	25.0	—	13.75
AC19B36B21S	TM9E080C20MP12	21.0	XAF/XAUC48F	1	1225	30.0	23.2	16.25	24.05
AC19B36B21S	TM9E080C20MP12	21.0	XAF/XAUC48F	2	1400	35.8	27.0	—	13.25
AC19B36B21S	TM9E080C20MP12	21.0	XAFC36D	1	1200	30.0	23.2	16.25	23.80
AC19B36B21S	TM9E080C20MP12	21.0	XAFC36D	2	1375	35.8	27.2	—	13.25
AC19B36B21S	TM9E080C20MP12	24.5	XAHD48F	1	1225	30.0	23.2	16.25	24.10
AC19B36B21S	TM9E080C20MP12	24.5	XAHD48F	2	1400	35.8	26.8	—	13.25
AC19B36B21S	TM9E080C20MP12	21.0	XAHD60G	1	1225	30.4	23.6	16.50	24.50
AC19B36B21S	TM9E080C20MP12	21.0	XAHD60G	2	1400	36.0	27.4	—	13.50
AC19B36B21S	TM9E100C16MP11	21.0	CF/CM/CU36C	1	750	28.2	20.6	17.25	24.50
AC19B36B21S	TM9E100C16MP11	21.0	CF/CM/CU36C	2	1275	35.4	29.0	17.25	13.25
AC19B36B21S	TM9E100C16MP11	21.0	CF/CM/CU42C	1	750	28.4	20.2	17.25	24.85
AC19B36B21S	TM9E100C16MP11	21.0	CF/CM/CU42C	2	1275	35.6	29.0	17.25	13.50
AC19B36B21S	TM9E100C16MP11	21.0	CF/CM/CU48C	1	750	28.4	20.4	17.50	24.75
AC19B36B21S	TM9E100C16MP11	21.0	CF/CM/CU48C	2	1275	36.0	28.6	17.50	13.75
AC19B36B21S	TM9E100C16MP11	21.0	CF/CM/CU48D	1	775	28.6	20.8	17.25	25.05
AC19B36B21S	TM9E100C16MP11	21.0	CF/CM/CU48D	2	1300	35.8	29.6	17.25	13.50
AC19B36B21S	TM9E100C16MP11	21.0	CF/CM/CU60C	1	750	28.0	19.6	17.00	24.25
AC19B36B21S	TM9E100C16MP11	21.0	CF/CM/CU60C	2	1275	35.8	27.6	17.00	13.75
AC19B36B21S	TM9E100C16MP11	21.0	CF/CM/CU60D	1	775	28.2	20.2	17.00	24.45
AC19B36B21S	TM9E100C16MP11	21.0	CF/CM/CU60D	2	1300	36.0	28.0	17.00	13.75
AC19B36B21S	TM9E100C16MP11	21.0	CF/CM36D	1	775	28.2	20.6	17.25	24.65
AC19B36B21S	TM9E100C16MP11	21.0	CF/CM36D	2	1275	35.4	29.0	17.25	13.50
AC19B36B21S	TM9E100C16MP11	21.0	CF/CM42D	1	775	28.6	20.6	17.50	25.10
AC19B36B21S	TM9E100C16MP11	21.0	CF/CM42D	2	1300	36.0	29.2	17.50	13.75
AC19B36B21S	TM9E100C16MP11	21.0	CF/CM64D	1	750	28.6	20.6	17.50	25.20
AC19B36B21S	TM9E100C16MP11	21.0	CF/CM64D	2	1275	36.0	28.8	17.50	14.00
AC19B36B21S	TM9E100C16MP12	21.0	CF/CM/CU36C	1	850	28.6	21.8	17.25	24.50
AC19B36B21S	TM9E100C16MP12	21.0	CF/CM/CU36C	2	1275	35.4	29.0	17.25	13.50
AC19B36B21S	TM9E100C16MP12	21.0	CF/CM/CU42C	1	850	29.2	21.4	17.50	25.00
AC19B36B21S	TM9E100C16MP12	21.0	CF/CM/CU42C	2	1275	35.6	29.0	17.50	13.50
AC19B36B21S	TM9E100C16MP12	21.0	CF/CM/CU48C	1	850	29.2	21.6	17.50	25.05
AC19B36B21S	TM9E100C16MP12	21.0	CF/CM/CU48C	2	1275	36.0	28.6	17.50	13.75
AC19B36B21S	TM9E100C16MP12	21.0	CF/CM/CU48D	1	875	29.2	22.2	17.50	25.20

SYSTEM CAPACITY - With High Efficiency Motor Furnaces¹ (Continued)

UNIT MODEL	FURNACE MODEL	WIDTH	COIL MODEL ²	STAGE	COOLING				
					RATED CFM	NET MBH		SEER	EER
						TOTAL	SENS.		
AC19B36B21S	TM9E100C16MP12	21.0	CF/CM/CU48D	2	1300	35.8	29.6	17.50	13.50
AC19B36B21S	TM9E100C16MP12	21.0	CF/CM/CU60C	1	850	28.6	21.0	17.25	24.45
AC19B36B21S	TM9E100C16MP12	21.0	CF/CM/CU60C	2	1275	35.8	27.6	17.25	13.75
AC19B36B21S	TM9E100C16MP12	21.0	CF/CM/CU60D	1	875	28.8	21.4	17.25	24.70
AC19B36B21S	TM9E100C16MP12	21.0	CF/CM/CU60D	2	1300	36.0	28.0	17.25	13.75
AC19B36B21S	TM9E100C16MP12	21.0	CF/CM36D	1	850	28.6	21.8	17.00	24.50
AC19B36B21S	TM9E100C16MP12	21.0	CF/CM36D	2	1300	34.4	27.2	17.00	13.00
AC19B36B21S	TM9E100C16MP12	21.0	CF/CM42D	1	850	29.2	21.6	17.25	25.05
AC19B36B21S	TM9E100C16MP12	21.0	CF/CM42D	2	1300	36.0	29.2	17.25	13.50
AC19B36B21S	TM9E100C16MP12	21.0	CF/CM64D	1	850	29.4	22.0	17.75	25.45
AC19B36B21S	TM9E100C16MP12	21.0	CF/CM64D	2	1275	36.0	28.8	17.75	13.75
AC19B36B21S	TM9E100C16MP12	21.0	XAF/XAUC48F	1	825	28.4	19.3	16.75	24.80
AC19B36B21S	TM9E100C16MP12	21.0	XAF/XAUC48F	2	1250	35.4	25.8	—	13.25
AC19B36B21S	TM9E100C16MP12	21.0	XAF/XAUC60G	1	825	28.8	19.7	17.25	25.30
AC19B36B21S	TM9E100C16MP12	21.0	XAF/XAUC60G	2	1075	35.0	24.6	—	13.75
AC19B36B21S	TM9E100C16MP12	24.5	XAF/XAUD60G	1	850	29.0	20.0	17.25	25.60
AC19B36B21S	TM9E100C16MP12	24.5	XAF/XAUD60G	2	1275	35.6	26.6	—	13.50
AC19B36B21S	TM9E100C16MP12	24.5	XAF/XAUD60H	1	825	29.0	20.0	17.25	25.50
AC19B36B21S	TM9E100C16MP12	24.5	XAF/XAUD60H	2	1250	36.0	26.6	—	13.50
AC19B36B21S	TM9E100C16MP12	21.0	XAFC36D	1	800	28.4	19.3	16.75	24.60
AC19B36B21S	TM9E100C16MP12	21.0	XAFC36D	2	1225	35.4	26.0	—	13.25
AC19B36B21S	TM9E100C16MP12	21.0	XAFC60H	1	850	29.0	20.2	17.50	25.70
AC19B36B21S	TM9E100C16MP12	21.0	XAFC60H	2	1075	35.4	25.0	—	14.00
AC19B36B21S	TM9E100C16MP12	24.5	XAFD48F	1	825	28.4	19.3	16.75	24.80
AC19B36B21S	TM9E100C16MP12	24.5	XAFD48F	2	1250	35.4	25.8	—	13.25
AC19B36B21S	TM9E100C16MP12	21.0	XAHC36D	1	800	28.4	19.3	16.75	24.60
AC19B36B21S	TM9E100C16MP12	21.0	XAHC36D	2	1225	35.2	25.8	—	13.25
AC19B36B21S	TM9E100C16MP12	21.0	XAHC48F	1	875	28.8	19.9	17.25	25.15
AC19B36B21S	TM9E100C16MP12	21.0	XAHC48F	2	1250	35.4	25.8	—	13.25
AC19B36B21S	TM9E100C16MP12	21.0	XAHC60G	1	900	29.2	20.4	17.25	26.00
AC19B36B21S	TM9E100C16MP12	21.0	XAHC60G	2	1275	35.6	26.6	—	13.50
AC19B36B21S	TM9E100C16MP12	21.0	XAHC60H	1	925	29.6	21.0	17.50	26.35
AC19B36B21S	TM9E100C16MP12	21.0	XAHC60H	2	1300	36.0	27.0	—	13.75
AC19B36B21S	TM9E100C16MP12	24.5	XAHD48F	1	825	28.4	19.3	16.75	24.80
AC19B36B21S	TM9E100C16MP12	24.5	XAHD48F	2	1250	35.4	25.8	—	13.25
AC19B36B21S	TM9E100C16MP12	21.0	XAHD60G	1	800	28.6	19.4	17.00	25.05
AC19B36B21S	TM9E100C16MP12	21.0	XAHD60G	2	1050	35.0	24.6	—	13.75
AC19B36B21S	TM9E100C16MP12	24.5	XAHD60H	1	850	29.0	20.2	17.25	25.75
AC19B36B21S	TM9E100C16MP12	24.5	XAHD60H	2	1275	36.0	26.6	—	13.75
AC19B36B21S	TM9E100C20MP12	21.0	XAF/XAUC48F	1	1225	30.0	23.0	16.50	24.20
AC19B36B21S	TM9E100C20MP12	21.0	XAF/XAUC48F	2	1400	35.8	27.0	—	13.50
AC19B36B21S	TM9E100C20MP12	21.0	XAF/XAUC60G	1	1225	30.4	23.6	16.50	24.75
AC19B36B21S	TM9E100C20MP12	21.0	XAF/XAUC60G	2	1425	36.0	27.6	—	13.50
AC19B36B21S	TM9E100C20MP12	24.5	XAF/XAUD60G	1	1225	30.4	23.6	16.75	24.75
AC19B36B21S	TM9E100C20MP12	24.5	XAF/XAUD60G	2	1425	36.0	27.4	—	13.75
AC19B36B21S	TM9E100C20MP12	24.5	XAF/XAUD60H	1	1225	30.6	24.0	16.75	24.90
AC19B36B21S	TM9E100C20MP12	24.5	XAF/XAUD60H	2	1400	36.0	27.4	—	13.75
AC19B36B21S	TM9E100C20MP12	21.0	XAFC36D	1	1175	29.8	23.0	16.25	23.90
AC19B36B21S	TM9E100C20MP12	21.0	XAFC36D	2	1350	35.8	27.0	—	13.25
AC19B36B21S	TM9E100C20MP12	24.5	XAFD48F	1	1225	30.0	23.0	16.50	24.20
AC19B36B21S	TM9E100C20MP12	24.5	XAFD48F	2	1400	35.8	26.8	—	13.50

SYSTEM CAPACITY - With High Efficiency Motor Furnaces¹ (Continued)

UNIT MODEL	FURNACE MODEL	WIDTH	COIL MODEL ²	STAGE	COOLING				
					RATED CFM	NET MBH		SEER	EER
						TOTAL	SENS.		
AC19B36B21S	TM9E100C20MP12	21.0	XAHC36D	1	1175	29.8	23.0	16.25	23.80
AC19B36B21S	TM9E100C20MP12	21.0	XAHC36D	2	1350	35.8	27.2	—	13.25
AC19B36B21S	TM9E100C20MP12	21.0	XAHC48F	1	1225	30.0	23.0	16.50	24.25
AC19B36B21S	TM9E100C20MP12	21.0	XAHC48F	2	1400	35.8	27.0	—	13.50
AC19B36B21S	TM9E100C20MP12	24.5	XAHD48F	1	1225	30.0	23.0	16.50	24.20
AC19B36B21S	TM9E100C20MP12	24.5	XAHD48F	2	1400	35.8	26.8	—	13.50
AC19B36B21S	TM9E100C20MP12	21.0	XAHD60G	1	1225	30.4	23.6	16.75	24.65
AC19B36B21S	TM9E100C20MP12	21.0	XAHD60G	2	1400	36.0	27.8	—	13.75
AC19B36B21S	TM9E100C20MP12	24.5	XAHD60H	1	1225	30.6	24.0	16.75	24.95
AC19B36B21S	TM9E100C20MP12	24.5	XAHD60H	2	1400	36.0	27.4	—	13.75
AC19B36B21S	TM9E120D20MP11	24.5	CF/CM/CU48D	1	1000	30.0	23.8	18.00	25.55
AC19B36B21S	TM9E120D20MP11	24.5	CF/CM/CU48D	2	1250	36.0	29.0	18.00	14.25
AC19B36B21S	TM9E120D20MP11	24.5	CF/CM/CU60D	1	1025	29.8	23.2	17.75	25.40
AC19B36B21S	TM9E120D20MP11	24.5	CF/CM/CU60D	2	1425	36.0	28.8	17.75	13.75
AC19B36B21S	TM9E120D20MP11	24.5	CF/CM36D	1	1000	29.6	23.8	17.50	25.10
AC19B36B21S	TM9E120D20MP11	24.5	CF/CM36D	2	1250	35.4	29.0	17.50	14.00
AC19B36B21S	TM9E120D20MP11	24.5	CF/CM42D	1	1000	30.0	23.8	17.75	25.50
AC19B36B21S	TM9E120D20MP11	24.5	CF/CM42D	2	1250	35.8	28.8	17.75	14.00
AC19B36B21S	TM9E120D20MP11	24.5	CF/CM64D	1	1000	30.4	23.8	18.00	26.05
AC19B36B21S	TM9E120D20MP11	24.5	CF/CM64D	2	1250	36.0	28.4	18.00	14.50
AC19B36B21S	TM9V040A10MP11C	14.5	CF/CM/CU36B	1	625	26.8	18.5	16.00	22.20
AC19B36B21S	TM9V040A10MP11C	14.5	CF/CM/CU36B	2	950	33.8	24.8	16.00	12.75
AC19B36B21S	TM9V040A10MP11C	14.5	CF42B	1	625	27.0	18.3	15.75	22.55
AC19B36B21S	TM9V040A10MP11C	14.5	CF42B	2	950	34.0	24.6	15.75	12.75
AC19B36B21S	TM9V040A10MP12C	14.5	CF/CM/CU36B	1	625	26.8	18.5	16.00	22.20
AC19B36B21S	TM9V040A10MP12C	14.5	CF/CM/CU36B	2	950	33.8	24.8	16.00	12.75
AC19B36B21S	TM9V040A10MP12C	14.5	CF42B	1	625	27.0	18.3	15.75	22.55
AC19B36B21S	TM9V040A10MP12C	14.5	CF42B	2	950	34.0	24.6	15.75	12.75
AC19B36B21S	TM9V060B12MP11C	17.5	CF/CM/CU36B	1	700	27.8	19.6	16.50	23.45
AC19B36B21S	TM9V060B12MP11C	17.5	CF/CM/CU36B	2	1100	34.6	26.6	16.50	13.00
AC19B36B21S	TM9V060B12MP11C	17.5	CF42B	1	700	27.8	19.5	16.75	23.50
AC19B36B21S	TM9V060B12MP11C	17.5	CF42B	2	1100	34.6	26.6	16.75	13.00
AC19B36B21S	TM9V060B12MP12C	17.5	CF/CM/CU42C	1	700	28.0	19.5	16.75	23.70
AC19B36B21S	TM9V060B12MP12C	17.5	CF/CM/CU42C	2	1100	34.6	26.8	16.75	13.00
AC19B36B21S	TM9V060B12MP12C	17.5	CF/CM/CU48C	1	700	28.0	19.6	16.75	23.75
AC19B36B21S	TM9V060B12MP12C	17.5	CF/CM/CU48C	2	1100	34.6	27.0	16.75	13.00
AC19B36B21S	TM9V060B12MP12C	17.5	XAF/XAUB36D	1	700	27.4	18.0	16.25	23.50
AC19B36B21S	TM9V060B12MP12C	17.5	XAF/XAUB36D	2	1125	34.6	24.8	—	12.75
AC19B36B21S	TM9V060B12MP12C	21.0	XAF/XAUC48F	1	675	27.2	17.6	16.25	23.40
AC19B36B21S	TM9V060B12MP12C	21.0	XAF/XAUC48F	2	1100	34.6	24.2	—	13.00
AC19B36B21S	TM9V060B12MP12C	21.0	XAF/XAUC60G	1	700	27.8	18.2	16.50	24.40
AC19B36B21S	TM9V060B12MP12C	21.0	XAF/XAUC60G	2	1100	34.8	24.8	—	13.25
AC19B36B21S	TM9V060B12MP12C	21.0	XAFC36D	1	700	27.4	18.0	16.25	23.55
AC19B36B21S	TM9V060B12MP12C	21.0	XAFC36D	2	1100	34.6	24.6	—	12.75
AC19B36B21S	TM9V060B12MP12C	21.0	XAFC60H	1	650	27.4	17.8	16.50	24.15
AC19B36B21S	TM9V060B12MP12C	21.0	XAFC60H	2	1000	34.8	24.0	—	13.50
AC19B36B21S	TM9V060B12MP12C	17.5	XAHB36D	1	650	27.2	17.5	15.75	23.20
AC19B36B21S	TM9V060B12MP12C	17.5	XAHB36D	2	1025	34.2	24.0	—	12.75
AC19B36B21S	TM9V060B12MP12C	21.0	XAHC36D	1	700	27.4	18.0	16.25	23.50
AC19B36B21S	TM9V060B12MP12C	21.0	XAHC36D	2	1125	34.6	24.8	—	12.75
AC19B36B21S	TM9V060B12MP12C	21.0	XAHC48F	1	675	27.2	17.6	16.50	23.70

SYSTEM CAPACITY - With High Efficiency Motor Furnaces¹ (Continued)

UNIT MODEL	FURNACE MODEL	WIDTH	COIL MODEL ²	STAGE	COOLING				
					RATED CFM	NET MBH		SEER	EER
						TOTAL	SENS.		
AC19B36B21S	TM9V060B12MP12C	21.0	XAHC48F	2	1100	34.6	24.2	—	13.00
AC19B36B21S	TM9V060B12MP12C	21.0	XAHC60G	1	650	27.4	17.6	16.75	24.45
AC19B36B21S	TM9V060B12MP12C	21.0	XAHC60G	2	1000	34.6	23.8	—	13.50
AC19B36B21S	TM9V060B12MP12C	21.0	XAHC60H	1	650	27.4	17.7	17.00	24.60
AC19B36B21S	TM9V060B12MP12C	21.0	XAHC60H	2	1000	34.8	24.0	—	13.50
AC19B36B21S	TM9V080B12MP11C	17.5	CF/CM/CU36B	1	675	27.6	19.5	17.00	23.30
AC19B36B21S	TM9V080B12MP11C	17.5	CF/CM/CU36B	2	975	34.2	25.4	17.00	13.50
AC19B36B21S	TM9V080B12MP11C	17.5	CF42B	1	725	28.2	19.9	17.00	23.95
AC19B36B21S	TM9V080B12MP11C	17.5	CF42B	2	1075	34.8	26.4	17.00	13.50
AC19B36B21S	TM9V080B12MP12C	17.5	CF/CM/CU42C	1	825	29.0	21.6	17.00	24.35
AC19B36B21S	TM9V080B12MP12C	17.5	CF/CM/CU42C	2	1250	35.2	28.6	17.00	13.00
AC19B36B21S	TM9V080B12MP12C	17.5	CF/CM/CU48C	1	750	28.4	20.4	17.00	24.00
AC19B36B21S	TM9V080B12MP12C	17.5	CF/CM/CU48C	2	1150	35.0	28.0	17.00	13.25
AC19B36B21S	TM9V080B12MP12C	17.5	XAF/XAUB36D	1	675	27.2	17.7	16.50	23.50
AC19B36B21S	TM9V080B12MP12C	17.5	XAF/XAUB36D	2	975	34.2	23.4	—	13.25
AC19B36B21S	TM9V080B12MP12C	21.0	XAF/XAUC48F	1	675	27.4	17.7	16.50	23.80
AC19B36B21S	TM9V080B12MP12C	21.0	XAF/XAUC48F	2	975	34.2	23.0	—	13.50
AC19B36B21S	TM9V080B12MP12C	21.0	XAF/XAUC60G	1	775	28.4	19.1	17.00	24.95
AC19B36B21S	TM9V080B12MP12C	21.0	XAF/XAUC60G	2	1175	35.2	25.6	—	13.50
AC19B36B21S	TM9V080B12MP12C	21.0	XAFC36D	1	675	27.2	17.7	16.50	23.55
AC19B36B21S	TM9V080B12MP12C	21.0	XAFC36D	2	975	34.4	23.4	—	13.50
AC19B36B21S	TM9V080B12MP12C	21.0	XAFC60H	1	825	28.8	19.9	17.00	25.15
AC19B36B21S	TM9V080B12MP12C	21.0	XAFC60H	2	1250	35.8	26.6	—	13.25
AC19B36B21S	TM9V080B12MP12C	17.5	XAHB36D	1	675	27.2	17.7	16.25	23.25
AC19B36B21S	TM9V080B12MP12C	17.5	XAHB36D	2	975	34.2	23.4	—	13.25
AC19B36B21S	TM9V080B12MP12C	21.0	XAHC36D	1	675	27.2	17.7	16.50	23.45
AC19B36B21S	TM9V080B12MP12C	21.0	XAHC36D	2	975	34.2	23.2	—	13.25
AC19B36B21S	TM9V080B12MP12C	21.0	XAHC48F	1	725	27.6	18.2	16.50	24.25
AC19B36B21S	TM9V080B12MP12C	21.0	XAHC48F	2	1075	34.6	24.0	—	13.25
AC19B36B21S	TM9V080B12MP12C	21.0	XAHC60G	1	750	28.2	18.8	17.25	25.10
AC19B36B21S	TM9V080B12MP12C	21.0	XAHC60G	2	1150	35.2	25.4	—	13.50
AC19B36B21S	TM9V080B12MP12C	21.0	XAHC60H	1	700	28.0	18.4	17.25	25.15
AC19B36B21S	TM9V080B12MP12C	21.0	XAHC60H	2	1050	35.2	24.6	—	13.75
AC19B36B21S	TM9V080C16MP11C	21.0	CF/CM/CU36C	1	750	28.2	20.6	17.00	24.05
AC19B36B21S	TM9V080C16MP11C	21.0	CF/CM/CU36C	2	1125	35.0	27.0	17.00	13.75
AC19B36B21S	TM9V080C16MP11C	21.0	CF/CM/CU42C	1	875	29.2	21.8	17.25	24.75
AC19B36B21S	TM9V080C16MP11C	21.0	CF/CM/CU42C	2	1300	35.8	29.0	17.25	13.50
AC19B36B21S	TM9V080C16MP11C	21.0	CF/CM/CU48C	1	800	28.6	21.0	17.25	24.55
AC19B36B21S	TM9V080C16MP11C	21.0	CF/CM/CU48C	2	1225	35.6	28.6	17.25	13.50
AC19B36B21S	TM9V080C16MP11C	21.0	CF/CM/CU48D	1	800	28.6	21.0	17.25	24.60
AC19B36B21S	TM9V080C16MP11C	21.0	CF/CM/CU48D	2	1225	35.6	28.6	17.25	13.50
AC19B36B21S	TM9V080C16MP11C	21.0	CF/CM/CU60C	1	875	28.8	21.4	17.00	24.30
AC19B36B21S	TM9V080C16MP11C	21.0	CF/CM/CU60C	2	1300	35.8	28.0	17.00	13.50
AC19B36B21S	TM9V080C16MP11C	21.0	CF/CM/CU60D	1	875	28.8	21.4	17.00	24.45
AC19B36B21S	TM9V080C16MP11C	21.0	CF/CM/CU60D	2	1300	36.0	28.0	17.00	13.50
AC19B36B21S	TM9V080C16MP11C	21.0	CF/CM36D	1	750	28.2	20.6	17.00	24.10
AC19B36B21S	TM9V080C16MP11C	21.0	CF/CM36D	2	1125	35.0	27.0	17.00	13.50
AC19B36B21S	TM9V080C16MP11C	21.0	CF/CM42D	1	875	29.2	21.8	17.25	24.85
AC19B36B21S	TM9V080C16MP11C	21.0	CF/CM42D	2	1300	35.8	29.0	17.25	13.50
AC19B36B21S	TM9V080C16MP11C	21.0	CF/CM64D	1	875	29.6	22.2	17.75	25.35
AC19B36B21S	TM9V080C16MP11C	21.0	CF/CM64D	2	1300	36.0	29.0	17.75	13.75

SYSTEM CAPACITY - With High Efficiency Motor Furnaces¹ (Continued)

UNIT MODEL	FURNACE MODEL	WIDTH	COIL MODEL ²	STAGE	COOLING				
					RATED CFM	NET MBH		SEER	EER
						TOTAL	SENS.		
AC19B36B21S	TM9V080C16MP12C	21.0	CF/CM/CU36C	1	750	28.2	20.6	17.00	24.05
AC19B36B21S	TM9V080C16MP12C	21.0	CF/CM/CU36C	2	1125	35.0	27.0	17.00	13.75
AC19B36B21S	TM9V080C16MP12C	21.0	CF/CM/CU42C	1	875	29.2	21.8	17.25	24.75
AC19B36B21S	TM9V080C16MP12C	21.0	CF/CM/CU42C	2	1300	35.8	29.0	17.25	13.50
AC19B36B21S	TM9V080C16MP12C	21.0	CF/CM/CU48C	1	800	28.6	21.0	17.25	24.55
AC19B36B21S	TM9V080C16MP12C	21.0	CF/CM/CU48C	2	1225	35.6	28.6	17.25	13.50
AC19B36B21S	TM9V080C16MP12C	21.0	CF/CM/CU48D	1	800	28.6	21.0	17.25	24.60
AC19B36B21S	TM9V080C16MP12C	21.0	CF/CM/CU48D	2	1225	35.6	28.6	17.25	13.50
AC19B36B21S	TM9V080C16MP12C	21.0	CF/CM/CU60C	1	875	28.8	21.4	17.00	24.30
AC19B36B21S	TM9V080C16MP12C	21.0	CF/CM/CU60C	2	1300	35.8	28.0	17.00	13.50
AC19B36B21S	TM9V080C16MP12C	21.0	CF/CM/CU60D	1	875	28.8	21.4	17.00	24.45
AC19B36B21S	TM9V080C16MP12C	21.0	CF/CM/CU60D	2	1300	36.0	28.0	17.00	13.50
AC19B36B21S	TM9V080C16MP12C	21.0	CF/CM36D	1	750	28.2	20.6	17.00	24.10
AC19B36B21S	TM9V080C16MP12C	21.0	CF/CM36D	2	1125	35.0	27.0	17.00	13.50
AC19B36B21S	TM9V080C16MP12C	21.0	CF/CM42D	1	875	29.2	21.8	17.25	24.85
AC19B36B21S	TM9V080C16MP12C	21.0	CF/CM42D	2	1300	35.8	29.0	17.25	13.50
AC19B36B21S	TM9V080C16MP12C	21.0	CF/CM64D	1	875	29.6	22.2	17.75	25.35
AC19B36B21S	TM9V080C16MP12C	21.0	CF/CM64D	2	1300	36.0	29.0	17.75	13.75
AC19B36B21S	TM9V080C16MP12C	21.0	XAF/XAUC48F	1	875	28.6	19.8	16.75	24.45
AC19B36B21S	TM9V080C16MP12C	21.0	XAF/XAUC48F	2	1300	35.4	26.4	—	13.00
AC19B36B21S	TM9V080C16MP12C	21.0	XAF/XAUC60G	1	800	28.6	19.4	17.00	25.10
AC19B36B21S	TM9V080C16MP12C	21.0	XAF/XAUC60G	2	1225	35.4	26.2	—	13.50
AC19B36B21S	TM9V080C16MP12C	24.5	XAF/XAUD60G	1	875	29.0	20.2	17.00	25.15
AC19B36B21S	TM9V080C16MP12C	24.5	XAF/XAUD60G	2	1300	35.6	26.8	—	13.25
AC19B36B21S	TM9V080C16MP12C	24.5	XAF/XAUD60H	1	800	28.6	19.6	17.00	24.90
AC19B36B21S	TM9V080C16MP12C	24.5	XAF/XAUD60H	2	1225	35.8	26.4	—	13.50
AC19B36B21S	TM9V080C16MP12C	21.0	XAFC36D	1	800	28.4	19.3	16.75	24.25
AC19B36B21S	TM9V080C16MP12C	21.0	XAFC36D	2	1225	35.0	26.0	—	13.00
AC19B36B21S	TM9V080C16MP12C	21.0	XAFC60H	1	800	28.8	19.7	17.25	25.20
AC19B36B21S	TM9V080C16MP12C	21.0	XAFC60H	2	1225	35.8	26.6	—	13.50
AC19B36B21S	TM9V080C16MP12C	24.5	XAFD48F	1	875	28.6	19.8	16.75	24.45
AC19B36B21S	TM9V080C16MP12C	24.5	XAFD48F	2	1300	35.4	26.2	—	13.00
AC19B36B21S	TM9V080C16MP12C	21.0	XAHC36D	1	800	28.4	19.3	16.50	24.15
AC19B36B21S	TM9V080C16MP12C	21.0	XAHC36D	2	1225	35.0	26.0	—	13.00
AC19B36B21S	TM9V080C16MP12C	21.0	XAHC48F	1	875	28.6	19.8	16.75	24.70
AC19B36B21S	TM9V080C16MP12C	21.0	XAHC48F	2	1300	35.4	26.2	—	13.00
AC19B36B21S	TM9V080C16MP12C	21.0	XAHC60G	1	775	28.4	19.1	17.00	25.35
AC19B36B21S	TM9V080C16MP12C	21.0	XAHC60G	2	1125	35.2	25.2	—	13.50
AC19B36B21S	TM9V080C16MP12C	21.0	XAHC60H	1	750	28.4	19.0	17.50	25.55
AC19B36B21S	TM9V080C16MP12C	21.0	XAHC60H	2	1100	35.6	25.4	—	14.00
AC19B36B21S	TM9V080C16MP12C	24.5	XAHD48F	1	875	28.6	19.8	16.75	24.40
AC19B36B21S	TM9V080C16MP12C	24.5	XAHD48F	2	1300	35.4	26.2	—	13.00
AC19B36B21S	TM9V080C16MP12C	21.0	XAHD60G	1	800	28.6	19.4	16.75	24.85
AC19B36B21S	TM9V080C16MP12C	21.0	XAHD60G	2	1225	35.4	26.2	—	13.25
AC19B36B21S	TM9V080C16MP12C	24.5	XAHD60H	1	800	28.8	19.7	17.25	25.10
AC19B36B21S	TM9V080C16MP12C	24.5	XAHD60H	2	1225	35.8	26.4	—	13.50
AC19B36B21S	TM9V100C16MP11C	21.0	CF/CM/CU36C	1	850	28.8	21.8	17.50	24.60
AC19B36B21S	TM9V100C16MP11C	21.0	CF/CM/CU36C	2	1225	35.2	28.6	17.50	13.75
AC19B36B21S	TM9V100C16MP11C	21.0	CF/CM/CU42C	1	850	29.2	21.6	17.50	25.05
AC19B36B21S	TM9V100C16MP11C	21.0	CF/CM/CU42C	2	1225	35.8	28.2	17.50	14.00
AC19B36B21S	TM9V100C16MP11C	21.0	CF/CM/CU48C	1	850	29.0	21.8	17.50	25.05

SYSTEM CAPACITY - With High Efficiency Motor Furnaces¹ (Continued)

UNIT MODEL	FURNACE MODEL	WIDTH	COIL MODEL ²	STAGE	COOLING				
					RATED CFM	NET MBH		SEER	EER
						TOTAL	SENS.		
AC19B36B21S	TM9V100C16MP11C	21.0	CF/CM/CU48C	2	1225	35.6	28.8	17.50	14.00
AC19B36B21S	TM9V100C16MP11C	21.0	CF/CM/CU60C	1	850	29.0	21.6	17.75	25.10
AC19B36B21S	TM9V100C16MP11C	21.0	CF/CM/CU60C	2	1225	36.0	28.6	17.75	14.00
AC19B36B21S	TM9V100C16MP11C	21.0	CF/CM64D	1	875	29.6	22.2	18.00	25.70
AC19B36B21S	TM9V100C16MP11C	21.0	CF/CM64D	2	1275	36.0	28.8	18.00	14.25
AC19B36B21S	TM9V100C16MP12C	21.0	CF/CM/CU48D	1	850	29.2	21.6	17.50	24.95
AC19B36B21S	TM9V100C16MP12C	21.0	CF/CM/CU48D	2	1250	35.8	29.0	17.50	13.75
AC19B36B21S	TM9V100C16MP12C	21.0	CF/CM/CU60D	1	800	28.4	20.6	17.00	24.40
AC19B36B21S	TM9V100C16MP12C	21.0	CF/CM/CU60D	2	1175	35.4	27.4	17.00	13.75
AC19B36B21S	TM9V100C16MP12C	21.0	CF/CM42D	1	900	29.6	22.4	17.50	24.95
AC19B36B21S	TM9V100C16MP12C	21.0	CF/CM42D	2	1300	35.8	29.2	17.50	13.75
AC19B36B21S	TM9V100C16MP12C	21.0	XAF/XAUC48F	1	875	28.6	19.8	17.00	24.75
AC19B36B21S	TM9V100C16MP12C	21.0	XAF/XAUC48F	2	1275	35.6	26.2	—	13.50
AC19B36B21S	TM9V100C16MP12C	21.0	XAF/XAUC60G	1	850	29.0	20.0	17.25	25.60
AC19B36B21S	TM9V100C16MP12C	21.0	XAF/XAUC60G	2	1225	35.6	26.2	—	13.75
AC19B36B21S	TM9V100C16MP12C	24.5	XAF/XAUD60G	1	850	29.0	20.0	17.00	25.50
AC19B36B21S	TM9V100C16MP12C	24.5	XAF/XAUD60G	2	1225	35.6	26.0	—	13.50
AC19B36B21S	TM9V100C16MP12C	24.5	XAF/XAUD60H	1	850	29.0	20.2	17.50	25.40
AC19B36B21S	TM9V100C16MP12C	24.5	XAF/XAUD60H	2	1225	36.0	26.2	—	14.00
AC19B36B21S	TM9V100C16MP12C	21.0	XAFC36D	1	800	28.4	19.3	16.75	24.50
AC19B36B21S	TM9V100C16MP12C	21.0	XAFC36D	2	1175	35.2	25.4	—	13.50
AC19B36B21S	TM9V100C16MP12C	21.0	XAFC60H	1	850	29.2	20.2	17.50	25.75
AC19B36B21S	TM9V100C16MP12C	21.0	XAFC60H	2	1225	36.0	26.4	—	14.00
AC19B36B21S	TM9V100C16MP12C	24.5	XAFD48F	1	875	28.6	19.8	17.00	24.80
AC19B36B21S	TM9V100C16MP12C	24.5	XAFD48F	2	1275	35.6	26.0	—	13.50
AC19B36B21S	TM9V100C16MP12C	21.0	XAHC36D	1	700	27.6	18.1	16.75	23.90
AC19B36B21S	TM9V100C16MP12C	21.0	XAHC36D	2	1000	34.6	23.6	—	13.75
AC19B36B21S	TM9V100C16MP12C	21.0	XAHC48F	1	875	28.8	19.9	17.25	25.05
AC19B36B21S	TM9V100C16MP12C	21.0	XAHC48F	2	1275	35.6	26.2	—	13.50
AC19B36B21S	TM9V100C16MP12C	21.0	XAHC60G	1	800	28.6	19.4	17.50	25.70
AC19B36B21S	TM9V100C16MP12C	21.0	XAHC60G	2	1175	35.6	25.8	—	14.00
AC19B36B21S	TM9V100C16MP12C	21.0	XAHC60H	1	850	29.2	20.2	17.50	26.15
AC19B36B21S	TM9V100C16MP12C	21.0	XAHC60H	2	1250	36.0	26.6	—	14.00
AC19B36B21S	TM9V100C16MP12C	24.5	XAHD48F	1	875	28.6	19.8	17.00	24.75
AC19B36B21S	TM9V100C16MP12C	24.5	XAHD48F	2	1275	35.6	26.0	—	13.50
AC19B36B21S	TM9V100C16MP12C	21.0	XAHD60G	1	875	29.0	20.2	17.25	25.35
AC19B36B21S	TM9V100C16MP12C	21.0	XAHD60G	2	1275	35.6	26.6	—	13.75
AC19B36B21S	TM9V100C16MP12C	24.5	XAHD60H	1	850	29.0	20.2	17.50	25.60
AC19B36B21S	TM9V100C16MP12C	24.5	XAHD60H	2	1225	36.0	26.2	—	14.00
AC19B36B21S	TM9V100C20MP11C	21.0	CF/CM/CU36C	1	800	28.4	21.0	17.25	24.55
AC19B36B21S	TM9V100C20MP11C	21.0	CF/CM/CU36C	2	1275	35.4	29.0	17.25	13.50
AC19B36B21S	TM9V100C20MP11C	21.0	CF/CM/CU42C	1	800	28.8	21.0	17.50	25.05
AC19B36B21S	TM9V100C20MP11C	21.0	CF/CM/CU42C	2	1275	35.8	29.2	17.50	13.75
AC19B36B21S	TM9V100C20MP11C	21.0	CF/CM/CU48C	1	800	28.8	21.0	17.50	25.00
AC19B36B21S	TM9V100C20MP11C	21.0	CF/CM/CU48C	2	1275	36.0	28.6	17.50	14.00
AC19B36B21S	TM9V100C20MP11C	21.0	CF/CM/CU60C	1	800	28.8	21.0	17.50	25.00
AC19B36B21S	TM9V100C20MP11C	21.0	CF/CM/CU60C	2	1275	36.0	29.2	17.50	13.75
AC19B36B21S	TM9V100C20MP11C	21.0	CF/CM64D	1	800	29.2	21.2	17.75	25.55
AC19B36B21S	TM9V100C20MP11C	21.0	CF/CM64D	2	1275	36.0	28.8	17.75	14.00
AC19B36B21S	TM9V100C20MP12C	21.0	CF/CM/CU48D	1	800	28.8	21.2	17.50	24.85
AC19B36B21S	TM9V100C20MP12C	21.0	CF/CM/CU48D	2	1275	35.8	28.6	17.50	13.75

SYSTEM CAPACITY - With High Efficiency Motor Furnaces¹ (Continued)

UNIT MODEL	FURNACE MODEL	WIDTH	COIL MODEL ²	STAGE	COOLING				
					RATED CFM	NET MBH		SEER	EER
						TOTAL	SENS.		
AC19B36B21S	TM9V100C20MP12C	21.0	CF/CM/CU60D	1	800	28.6	20.8	17.25	24.60
AC19B36B21S	TM9V100C20MP12C	21.0	CF/CM/CU60D	2	1275	35.8	27.8	17.25	13.75
AC19B36B21S	TM9V100C20MP12C	21.0	CF/CM42D	1	825	29.0	21.6	17.50	24.90
AC19B36B21S	TM9V100C20MP12C	21.0	CF/CM42D	2	1350	35.8	29.6	17.50	13.50
AC19B36B21S	TM9V100C20MP12C	21.0	XAF/XAUC48F	1	800	28.2	19.0	16.75	24.80
AC19B36B21S	TM9V100C20MP12C	21.0	XAF/XAUC48F	2	1275	35.4	26.0	—	13.25
AC19B36B21S	TM9V100C20MP12C	21.0	XAF/XAUC60G	1	800	28.6	19.4	17.25	25.55
AC19B36B21S	TM9V100C20MP12C	21.0	XAF/XAUC60G	2	1275	35.6	26.6	—	13.50
AC19B36B21S	TM9V100C20MP12C	24.5	XAF/XAUD60G	1	800	28.6	19.4	17.25	25.45
AC19B36B21S	TM9V100C20MP12C	24.5	XAF/XAUD60G	2	1275	35.6	26.4	—	13.75
AC19B36B21S	TM9V100C20MP12C	24.5	XAF/XAUD60H	1	800	28.8	19.7	17.25	25.40
AC19B36B21S	TM9V100C20MP12C	24.5	XAF/XAUD60H	2	1275	36.0	26.6	—	13.75
AC19B36B21S	TM9V100C20MP12C	21.0	XAFC36D	1	800	28.4	19.2	17.00	24.70
AC19B36B21S	TM9V100C20MP12C	21.0	XAFC36D	2	1300	35.4	26.6	—	13.25
AC19B36B21S	TM9V100C20MP12C	21.0	XAFC60H	1	800	28.8	19.6	17.25	25.70
AC19B36B21S	TM9V100C20MP12C	21.0	XAFC60H	2	1275	36.0	26.8	—	13.75
AC19B36B21S	TM9V100C20MP12C	24.5	XAFD48F	1	800	28.2	19.0	16.75	24.80
AC19B36B21S	TM9V100C20MP12C	24.5	XAFD48F	2	1275	35.4	25.8	—	13.50
AC19B36B21S	TM9V100C20MP12C	21.0	XAHC36D	1	825	28.4	19.5	16.75	24.45
AC19B36B21S	TM9V100C20MP12C	21.0	XAHC36D	2	1350	35.4	27.0	—	13.00
AC19B36B21S	TM9V100C20MP12C	21.0	XAHC48F	1	800	28.2	19.0	17.00	25.05
AC19B36B21S	TM9V100C20MP12C	21.0	XAHC48F	2	1275	35.4	26.0	—	13.25
AC19B36B21S	TM9V100C20MP12C	21.0	XAHC60G	1	800	28.6	19.4	17.50	25.95
AC19B36B21S	TM9V100C20MP12C	21.0	XAHC60G	2	1275	35.6	26.6	—	13.75
AC19B36B21S	TM9V100C20MP12C	21.0	XAHC60H	1	800	28.8	19.6	17.50	26.20
AC19B36B21S	TM9V100C20MP12C	21.0	XAHC60H	2	1275	36.0	26.8	—	13.75
AC19B36B21S	TM9V100C20MP12C	24.5	XAHD48F	1	800	28.2	19.0	16.75	24.75
AC19B36B21S	TM9V100C20MP12C	24.5	XAHD48F	2	1275	35.4	25.8	—	13.25
AC19B36B21S	TM9V100C20MP12C	21.0	XAHD60G	1	800	28.6	19.4	17.00	25.30
AC19B36B21S	TM9V100C20MP12C	21.0	XAHD60G	2	1275	35.6	26.6	—	13.50
AC19B36B21S	TM9V100C20MP12C	24.5	XAHD60H	1	800	28.8	19.6	17.25	25.55
AC19B36B21S	TM9V100C20MP12C	24.5	XAHD60H	2	1275	36.0	26.6	—	13.75
AC19B36B21S	TM9V120D20MP11C	24.5	CF/CM/CU48D	1	825	29.0	21.2	17.75	25.40
AC19B36B21S	TM9V120D20MP11C	24.5	CF/CM/CU48D	2	1250	36.0	29.0	17.75	14.25
AC19B36B21S	TM9V120D20MP11C	24.5	CF/CM/CU60D	1	875	29.4	21.8	18.00	25.85
AC19B36B21S	TM9V120D20MP11C	24.5	CF/CM/CU60D	2	1300	36.0	29.4	18.00	14.25
AC19B36B21S	TM9V120D20MP11C	24.5	CF/CM24C	1	825	28.6	21.6	17.50	24.90
AC19B36B21S	TM9V120D20MP11C	24.5	CF/CM24C	2	1250	35.4	29.0	17.50	14.00
AC19B36B21S	TM9V120D20MP11C	24.5	CF/CM30C	1	875	29.4	22.0	18.00	25.60
AC19B36B21S	TM9V120D20MP11C	24.5	CF/CM30C	2	1300	36.0	29.2	18.00	14.25
AC19B36B21S	TM9V120D20MP11C	24.5	CF/CM64D	1	875	29.6	22.2	18.25	26.10
AC19B36B21S	TM9V120D20MP11C	24.5	CF/CM64D	2	1300	36.0	29.0	18.25	14.25
AC19B36B21S	TM9V120D20MP12C	24.5	XAF/XAUD60G	1	825	28.8	19.7	17.50	25.70
AC19B36B21S	TM9V120D20MP12C	24.5	XAF/XAUD60G	2	1250	35.8	26.4	—	14.00
AC19B36B21S	TM9V120D20MP12C	24.5	XAF/XAUD60H	1	900	29.4	20.8	17.50	25.85
AC19B36B21S	TM9V120D20MP12C	24.5	XAF/XAUD60H	2	1400	36.0	27.6	—	13.75
AC19B36B21S	TM9V120D20MP12C	24.5	XAFD48F	1	925	29.0	20.4	17.00	25.20
AC19B36B21S	TM9V120D20MP12C	24.5	XAFD48F	2	1425	36.0	27.4	—	13.25
AC19B36B21S	TM9V120D20MP12C	24.5	XAHD48F	1	925	29.0	20.4	17.00	25.15
AC19B36B21S	TM9V120D20MP12C	24.5	XAHD48F	2	1425	35.8	27.2	—	13.25
AC19B36B21S	TM9V120D20MP12C	21.0	XAHD60G	1	900	29.2	20.4	17.25	25.70

SYSTEM CAPACITY - With High Efficiency Motor Furnaces¹ (Continued)

UNIT MODEL	FURNACE MODEL	WIDTH	COIL MODEL ²	STAGE	COOLING				
					RATED CFM	NET MBH		SEER	EER
						TOTAL	SENS.		
AC19B36B21S	TM9V120D20MP12C	21.0	XAHD60G	2	1400	36.0	27.4	—	13.75
AC19B36B21S	TM9V120D20MP12C	24.5	XAHD60H	1	825	29.0	19.9	17.50	25.85
AC19B36B21S	TM9V120D20MP12C	24.5	XAHD60H	2	1250	36.0	26.6	—	14.00
AC19B36B21S	TM9Y060B12MP11	17.5	CF/CM/CU36B	1	700	27.8	19.6	16.75	23.20
AC19B36B21S	TM9Y060B12MP11	17.5	CF/CM/CU36B	2	950	34.0	24.8	16.75	13.25
AC19B36B21S	TM9Y060B12MP11	17.5	CF/CM/CU36C	1	700	27.8	19.6	16.50	23.25
AC19B36B21S	TM9Y060B12MP11	17.5	CF/CM/CU36C	2	975	34.2	25.6	16.50	13.25
AC19B36B21S	TM9Y060B12MP11	17.5	CF/CM/CU42C	1	725	28.0	19.9	16.75	23.80
AC19B36B21S	TM9Y060B12MP11	17.5	CF/CM/CU42C	2	1125	35.0	27.0	16.75	13.00
AC19B36B21S	TM9Y060B12MP11	17.5	CF/CM/CU48C	1	725	28.2	20.0	17.00	23.85
AC19B36B21S	TM9Y060B12MP11	17.5	CF/CM/CU48C	2	975	34.6	25.2	17.00	13.50
AC19B36B21S	TM9Y060B12MP11	17.5	CF/CM/CU60C	1	725	27.6	19.0	16.25	23.20
AC19B36B21S	TM9Y060B12MP11	17.5	CF/CM/CU60C	2	1125	34.8	26.8	16.25	13.00
AC19B36B21S	TM9Y060B12MP11	17.5	CF42B	1	700	27.8	19.5	16.50	23.45
AC19B36B21S	TM9Y060B12MP11	17.5	CF42B	2	1100	34.6	26.6	16.50	13.00
AC19B36B21S	TM9Y060B12MP11	17.5	XAF/XAUB36D	1	700	27.6	18.1	16.25	23.60
AC19B36B21S	TM9Y060B12MP11	17.5	XAF/XAUB36D	2	1100	34.6	24.8	—	12.75
AC19B36B21S	TM9Y060B12MP11	21.0	XAF/XAUC48F	1	700	27.4	17.9	16.25	23.55
AC19B36B21S	TM9Y060B12MP11	21.0	XAF/XAUC48F	2	1125	34.6	24.4	—	13.00
AC19B36B21S	TM9Y060B12MP11	21.0	XAF/XAUC60G	1	725	28.0	18.5	16.50	24.45
AC19B36B21S	TM9Y060B12MP11	21.0	XAF/XAUC60G	2	950	34.2	23.2	—	13.25
AC19B36B21S	TM9Y060B12MP11	21.0	XAFC36D	1	700	27.6	18.1	16.25	23.60
AC19B36B21S	TM9Y060B12MP11	21.0	XAFC36D	2	1100	34.6	24.6	—	12.75
AC19B36B21S	TM9Y060B12MP11	21.0	XAFC60H	1	725	28.0	18.7	16.50	24.50
AC19B36B21S	TM9Y060B12MP11	21.0	XAFC60H	2	950	34.6	23.6	—	13.50
AC19B36B21S	TM9Y060B12MP11	17.5	XAHB36D	1	675	27.0	17.6	16.00	23.10
AC19B36B21S	TM9Y060B12MP11	17.5	XAHB36D	2	1050	34.2	24.2	—	12.75
AC19B36B21S	TM9Y060B12MP11	21.0	XAHC36D	1	700	27.4	18.0	16.25	23.60
AC19B36B21S	TM9Y060B12MP11	21.0	XAHC36D	2	1100	34.6	24.6	—	12.75
AC19B36B21S	TM9Y060B12MP11	21.0	XAHC48F	1	725	27.6	18.2	16.75	23.90
AC19B36B21S	TM9Y060B12MP11	21.0	XAHC48F	2	1125	34.6	24.4	—	13.00
AC19B36B21S	TM9Y060B12MP11	21.0	XAHC60G	1	750	28.2	18.8	17.00	24.75
AC19B36B21S	TM9Y060B12MP11	21.0	XAHC60G	2	1150	35.0	25.4	—	13.25
AC19B36B21S	TM9Y060B12MP11	21.0	XAHC60H	1	775	28.6	19.4	17.25	25.20
AC19B36B21S	TM9Y060B12MP11	21.0	XAHC60H	2	1150	35.4	25.6	—	13.00
AC19B36B21S	TM9Y080B12MP11	17.5	XAF/XAUB36D	1	725	27.8	18.4	16.50	23.95
AC19B36B21S	TM9Y080B12MP11	17.5	XAF/XAUB36D	2	975	34.2	23.4	—	13.50
AC19B36B21S	TM9Y080B12MP11	21.0	XAF/XAUC48F	1	750	27.8	18.5	16.50	24.15
AC19B36B21S	TM9Y080B12MP11	21.0	XAF/XAUC48F	2	1150	34.8	24.8	—	13.00
AC19B36B21S	TM9Y080B12MP11	21.0	XAF/XAUC60G	1	775	28.4	19.1	17.00	25.00
AC19B36B21S	TM9Y080B12MP11	21.0	XAF/XAUC60G	2	1175	35.2	25.6	—	13.25
AC19B36B21S	TM9Y080B12MP11	21.0	XAFC36D	1	725	27.8	18.4	16.50	23.95
AC19B36B21S	TM9Y080B12MP11	21.0	XAFC36D	2	975	34.2	23.2	—	13.50
AC19B36B21S	TM9Y080B12MP11	21.0	XAFC60H	1	750	28.4	19.1	17.00	24.85
AC19B36B21S	TM9Y080B12MP11	21.0	XAFC60H	2	1000	35.0	24.2	—	13.75
AC19B36B21S	TM9Y080B12MP11	17.5	XAHB36D	1	700	27.6	18.1	16.25	23.65
AC19B36B21S	TM9Y080B12MP11	17.5	XAHB36D	2	1100	34.6	24.8	—	12.75
AC19B36B21S	TM9Y080B12MP11	21.0	XAHC36D	1	725	27.6	18.3	16.25	23.80
AC19B36B21S	TM9Y080B12MP11	21.0	XAHC36D	2	1125	34.8	24.8	—	13.00
AC19B36B21S	TM9Y080B12MP11	21.0	XAHC48F	1	775	28.0	18.7	16.50	24.50
AC19B36B21S	TM9Y080B12MP11	21.0	XAHC48F	2	1175	35.0	25.0	—	13.00

SYSTEM CAPACITY - With High Efficiency Motor Furnaces¹ (Continued)

UNIT MODEL	FURNACE MODEL	WIDTH	COIL MODEL ²	STAGE	COOLING				
					RATED CFM	NET MBH		SEER	EER
						TOTAL	SENS.		
AC19B36B21S	TM9Y080B12MP11	21.0	XAHC60G	1	775	28.4	19.1	16.75	25.05
AC19B36B21S	TM9Y080B12MP11	21.0	XAHC60G	2	1025	34.8	24.0	—	13.75
AC19B36B21S	TM9Y080B12MP11	21.0	XAHC60H	1	800	28.8	19.6	17.25	25.40
AC19B36B21S	TM9Y080B12MP11	21.0	XAHC60H	2	1025	35.2	24.4	—	13.75
AC19B36B21S	TM9Y080C16MP11	21.0	CF/CM/CU36C	1	650	27.6	18.8	17.00	23.70
AC19B36B21S	TM9Y080C16MP11	21.0	CF/CM/CU36C	2	975	34.4	25.6	17.00	13.75
AC19B36B21S	TM9Y080C16MP11	21.0	CF/CM/CU42C	1	700	28.0	19.7	17.25	24.50
AC19B36B21S	TM9Y080C16MP11	21.0	CF/CM/CU42C	2	1250	35.6	28.6	17.25	13.25
AC19B36B21S	TM9Y080C16MP11	21.0	CF/CM/CU48C	1	675	27.6	19.5	17.25	24.05
AC19B36B21S	TM9Y080C16MP11	21.0	CF/CM/CU48C	2	975	34.8	25.6	17.25	14.00
AC19B36B21S	TM9Y080C16MP11	21.0	CF/CM/CU48D	1	675	27.6	19.5	17.25	24.05
AC19B36B21S	TM9Y080C16MP11	21.0	CF/CM/CU48D	2	975	34.8	25.6	17.25	14.00
AC19B36B21S	TM9Y080C16MP11	21.0	CF/CM/CU60C	1	1025	29.6	23.0	16.75	24.20
AC19B36B21S	TM9Y080C16MP11	21.0	CF/CM/CU60C	2	1250	35.6	27.4	16.75	13.50
AC19B36B21S	TM9Y080C16MP11	21.0	CF/CM/CU60D	1	1025	29.6	23.0	16.75	24.25
AC19B36B21S	TM9Y080C16MP11	21.0	CF/CM/CU60D	2	1275	35.8	27.6	16.75	13.50
AC19B36B21S	TM9Y080C16MP11	21.0	CF/CM36D	1	675	27.6	19.4	17.00	23.75
AC19B36B21S	TM9Y080C16MP11	21.0	CF/CM36D	2	975	34.4	25.6	17.00	13.75
AC19B36B21S	TM9Y080C16MP11	21.0	CF/CM42D	1	675	27.8	19.2	17.00	24.10
AC19B36B21S	TM9Y080C16MP11	21.0	CF/CM42D	2	975	34.6	25.2	17.00	14.00
AC19B36B21S	TM9Y080C16MP11	21.0	CF/CM64D	1	700	28.2	19.7	17.50	24.90
AC19B36B21S	TM9Y080C16MP11	21.0	CF/CM64D	2	1275	36.0	28.8	17.50	13.75
AC19B36B21S	TM9Y080C16MP11	21.0	XAF/XAUC48F	1	675	27.2	17.6	16.50	23.90
AC19B36B21S	TM9Y080C16MP11	21.0	XAF/XAUC48F	2	1125	35.0	24.6	—	13.50
AC19B36B21S	TM9Y080C16MP11	21.0	XAF/XAUC60G	1	700	27.8	18.2	17.00	24.65
AC19B36B21S	TM9Y080C16MP11	21.0	XAF/XAUC60G	2	1125	35.2	25.2	—	13.75
AC19B36B21S	TM9Y080C16MP11	24.5	XAF/XAUD60G	1	650	27.4	17.6	16.75	24.20
AC19B36B21S	TM9Y080C16MP11	24.5	XAF/XAUD60G	2	950	34.4	23.2	—	14.00
AC19B36B21S	TM9Y080C16MP11	24.5	XAF/XAUD60H	1	1000	29.8	21.8	17.00	25.00
AC19B36B21S	TM9Y080C16MP11	24.5	XAF/XAUD60H	2	1400	36.0	27.8	—	13.00
AC19B36B21S	TM9Y080C16MP11	21.0	XAFC36D	1	675	27.2	17.7	16.00	23.85
AC19B36B21S	TM9Y080C16MP11	21.0	XAFC36D	2	1350	35.4	27.0	—	12.50
AC19B36B21S	TM9Y080C16MP11	21.0	XAFC60H	1	725	28.2	18.8	17.00	24.90
AC19B36B21S	TM9Y080C16MP11	21.0	XAFC60H	2	1400	36.0	28.0	—	13.00
AC19B36B21S	TM9Y080C16MP11	24.5	XAFD48F	1	1000	29.2	21.0	16.50	24.20
AC19B36B21S	TM9Y080C16MP11	24.5	XAFD48F	2	1250	35.4	25.8	—	13.25
AC19B36B21S	TM9Y080C16MP11	21.0	XAHC36D	1	625	26.8	17.1	16.25	23.40
AC19B36B21S	TM9Y080C16MP11	21.0	XAHC36D	2	1075	34.6	24.4	—	13.25
AC19B36B21S	TM9Y080C16MP11	21.0	XAHC48F	1	1000	29.2	21.0	16.50	24.25
AC19B36B21S	TM9Y080C16MP11	21.0	XAHC48F	2	1250	35.4	26.0	—	13.25
AC19B36B21S	TM9Y080C16MP11	21.0	XAHC60G	1	750	28.2	18.8	17.25	25.15
AC19B36B21S	TM9Y080C16MP11	21.0	XAHC60G	2	1000	34.8	24.0	—	13.75
AC19B36B21S	TM9Y080C16MP11	21.0	XAHC60H	1	775	28.6	19.4	17.25	25.20
AC19B36B21S	TM9Y080C16MP11	21.0	XAHC60H	2	1150	35.6	25.8	—	13.75
AC19B36B21S	TM9Y080C16MP11	24.5	XAHD48F	1	1000	29.2	21.0	16.50	24.20
AC19B36B21S	TM9Y080C16MP11	24.5	XAHD48F	2	1250	35.4	25.8	—	13.25
AC19B36B21S	TM9Y080C16MP11	21.0	XAHD60G	1	650	27.4	17.6	16.75	24.25
AC19B36B21S	TM9Y080C16MP11	21.0	XAHD60G	2	950	34.4	23.4	—	14.00
AC19B36B21S	TM9Y080C16MP11	24.5	XAHD60H	1	1025	30.0	22.2	17.00	25.20
AC19B36B21S	TM9Y080C16MP11	24.5	XAHD60H	2	1400	36.0	27.8	—	13.00
AC19B36B21S	TM9Y100C16MP11	21.0	XAF/XAUC48F	1	650	27.0	17.3	16.75	24.05

SYSTEM CAPACITY - With High Efficiency Motor Furnaces¹ (Continued)

UNIT MODEL	FURNACE MODEL	WIDTH	COIL MODEL ²	STAGE	COOLING				
					RATED CFM	NET MBH		SEER	EER
						TOTAL	SENS.		
AC19B36B21S	TM9Y100C16MP11	21.0	XAF/XAUC48F	2	1250	35.4	25.8	—	13.25
AC19B36B21S	TM9Y100C16MP11	21.0	XAF/XAUC60G	1	650	27.4	17.6	17.25	24.70
AC19B36B21S	TM9Y100C16MP11	21.0	XAF/XAUC60G	2	1125	35.2	25.2	—	13.75
AC19B36B21S	TM9Y100C16MP11	24.5	XAF/XAUD60G	1	650	27.4	17.6	17.00	24.60
AC19B36B21S	TM9Y100C16MP11	24.5	XAF/XAUD60G	2	1125	35.2	25.0	—	13.75
AC19B36B21S	TM9Y100C16MP11	24.5	XAF/XAUD60H	1	1000	29.8	21.8	17.00	25.20
AC19B36B21S	TM9Y100C16MP11	24.5	XAF/XAUD60H	2	1400	36.0	27.8	—	13.00
AC19B36B21S	TM9Y100C16MP11	21.0	XAFC36D	1	975	29.2	21.2	16.00	24.25
AC19B36B21S	TM9Y100C16MP11	21.0	XAFC36D	2	1375	35.4	27.2	—	12.75
AC19B36B21S	TM9Y100C16MP11	21.0	XAFC60H	1	675	27.8	18.1	17.25	25.20
AC19B36B21S	TM9Y100C16MP11	21.0	XAFC60H	2	1275	36.0	26.8	—	13.50
AC19B36B21S	TM9Y100C16MP11	24.5	XAFD48F	1	1000	29.2	21.0	16.75	24.45
AC19B36B21S	TM9Y100C16MP11	24.5	XAFD48F	2	1250	35.4	25.8	—	13.25
AC19B36B21S	TM9Y100C16MP11	21.0	XAHC36D	1	625	26.8	17.1	16.50	23.70
AC19B36B21S	TM9Y100C16MP11	21.0	XAHC36D	2	1200	34.8	25.6	—	13.25
AC19B36B21S	TM9Y100C16MP11	21.0	XAHC48F	1	675	27.4	17.6	17.00	24.50
AC19B36B21S	TM9Y100C16MP11	21.0	XAHC48F	2	975	34.4	23.2	—	13.50
AC19B36B21S	TM9Y100C16MP11	21.0	XAHC60G	1	725	28.2	18.5	17.50	26.00
AC19B36B21S	TM9Y100C16MP11	21.0	XAHC60G	2	1425	35.8	27.8	—	13.00
AC19B36B21S	TM9Y100C16MP11	21.0	XAHC60H	1	725	28.2	18.7	17.50	25.90
AC19B36B21S	TM9Y100C16MP11	21.0	XAHC60H	2	1000	35.2	24.2	—	14.00
AC19B36B21S	TM9Y100C16MP11	24.5	XAHD48F	1	1000	29.2	21.0	16.75	24.40
AC19B36B21S	TM9Y100C16MP11	24.5	XAHD48F	2	1250	35.4	25.8	—	13.25
AC19B36B21S	TM9Y100C16MP11	21.0	XAHD60G	1	625	27.2	17.3	16.75	24.20
AC19B36B21S	TM9Y100C16MP11	21.0	XAHD60G	2	1125	35.2	25.2	—	13.50
AC19B36B21S	TM9Y100C16MP11	24.5	XAHD60H	1	1025	30.0	22.2	17.00	25.45
AC19B36B21S	TM9Y100C16MP11	24.5	XAHD60H	2	1400	36.0	27.8	—	13.00
AC19B36B21S	TM9Y100C20MP11	24.5	XAF/XAUD60H	1	1175	30.4	23.6	16.50	24.30
AC19B36B21S	TM9Y100C20MP11	24.5	XAF/XAUD60H	2	1350	36.0	27.2	—	13.50
AC19B36B21S	TM9Y100C20MP11	24.5	XAFD48F	1	1175	29.8	22.8	16.00	23.60
AC19B36B21S	TM9Y100C20MP11	24.5	XAFD48F	2	1350	35.6	26.4	—	13.00
AC19B36B21S	TM9Y120D20MP11	24.5	XAF/XAUD60G	1	1000	29.8	21.6	17.50	25.85
AC19B36B21S	TM9Y120D20MP11	24.5	XAF/XAUD60G	2	1225	35.6	26.2	—	14.00
AC19B36B21S	TM9Y120D20MP11	24.5	XAF/XAUD60H	1	1000	30.0	22.0	17.50	26.05
AC19B36B21S	TM9Y120D20MP11	24.5	XAF/XAUD60H	2	1400	36.0	27.6	—	13.75
AC19B36B21S	TM9Y120D20MP11	24.5	XAFD48F	1	975	29.2	20.8	17.00	25.10
AC19B36B21S	TM9Y120D20MP11	24.5	XAFD48F	2	1225	35.6	25.6	—	13.75
AC19B36B21S	TM9Y120D20MP11	24.5	XAHD48F	1	975	29.2	20.8	17.00	25.05
AC19B36B21S	TM9Y120D20MP11	24.5	XAHD48F	2	1225	35.6	25.6	—	13.75
AC19B36B21S	TM9Y120D20MP11	21.0	XAHD60G	1	1000	29.8	21.6	17.25	25.90
AC19B36B21S	TM9Y120D20MP11	21.0	XAHD60G	2	1375	36.0	27.4	—	13.50
AC19B36B21S	TM9Y120D20MP11	24.5	XAHD60H	1	1000	30.0	22.0	17.50	26.10
AC19B36B21S	TM9Y120D20MP11	24.5	XAHD60H	2	1400	36.0	27.6	—	13.75
AC19B36B21S	TMLE040A12MP11	17.5	XAF/XAUB36D	1	725	27.6	18.3	16.75	24.15
AC19B36B21S	TMLE040A12MP11	17.5	XAF/XAUB36D	2	1000	34.4	23.4	—	13.50
AC19B36B21S	TMLE040A12MP11	17.5	XAHB36D	1	775	28.2	19.0	16.75	24.20
AC19B36B21S	TMLE040A12MP11	17.5	XAHB36D	2	1150	34.6	25.0	—	13.00
AC19B36B21S	TMLE060A12MP11	17.5	XAF/XAUB36D	1	825	28.4	19.5	16.50	24.10
AC19B36B21S	TMLE060A12MP11	17.5	XAF/XAUB36D	2	1000	34.4	23.4	—	13.50
AC19B36B21S	TMLE060A12MP11	17.5	XAHB36D	1	800	28.0	19.1	16.50	23.75
AC19B36B21S	TMLE060A12MP11	17.5	XAHB36D	2	975	34.2	23.2	—	13.25

SYSTEM CAPACITY - With High Efficiency Motor Furnaces¹ (Continued)

UNIT MODEL	FURNACE MODEL	WIDTH	COIL MODEL ²	STAGE	COOLING				
					RATED CFM	NET MBH		SEER	EER
						TOTAL	SENS.		
AC19B36B21S	TMLE080B12MP11	17.5	XAF/XAUB36D	1	775	28.0	18.9	16.50	24.35
AC19B36B21S	TMLE080B12MP11	17.5	XAF/XAUB36D	2	1200	34.6	25.6	—	13.00
AC19B36B21S	TMLE080B12MP11	21.0	XAF/XAUC48F	1	800	28.2	19.0	16.75	24.65
AC19B36B21S	TMLE080B12MP11	21.0	XAF/XAUC48F	2	1325	35.0	26.4	—	12.50
AC19B36B21S	TMLE080B12MP11	21.0	XAF/XAUC60G	1	800	28.6	19.4	16.75	25.15
AC19B36B21S	TMLE080B12MP11	21.0	XAF/XAUC60G	2	1050	34.8	24.2	—	13.75
AC19B36B21S	TMLE080B12MP11	21.0	XAFC36D	1	775	28.0	18.9	16.50	24.35
AC19B36B21S	TMLE080B12MP11	21.0	XAFC36D	2	1200	34.6	25.4	—	13.00
AC19B36B21S	TMLE080B12MP11	21.0	XAFC60H	1	800	28.8	19.7	17.25	25.30
AC19B36B21S	TMLE080B12MP11	21.0	XAFC60H	2	1050	35.2	24.6	—	13.75
AC19B36B21S	TMLE080B12MP11	17.5	XAHB36D	1	725	27.8	18.4	16.50	23.80
AC19B36B21S	TMLE080B12MP11	17.5	XAHB36D	2	975	34.2	23.4	—	13.25
AC19B36B21S	TMLE080B12MP11	21.0	XAHC36D	1	750	28.0	18.7	16.50	24.15
AC19B36B21S	TMLE080B12MP11	21.0	XAHC36D	2	1000	34.4	23.4	—	13.50
AC19B36B21S	TMLE080B12MP11	21.0	XAHC48F	1	800	28.2	19.0	16.75	24.65
AC19B36B21S	TMLE080B12MP11	21.0	XAHC48F	2	1050	34.6	23.8	—	13.50
AC19B36B21S	TMLE080B12MP11	21.0	XAHC60G	1	825	28.8	19.7	16.75	25.40
AC19B36B21S	TMLE080B12MP11	21.0	XAHC60G	2	1050	34.8	24.2	—	13.75
AC19B36B21S	TMLE080B12MP11	21.0	XAHC60H	1	850	29.2	20.2	17.50	25.80
AC19B36B21S	TMLE080B12MP11	21.0	XAHC60H	2	1075	35.4	25.0	—	14.00
AC19B36B21S	TMLE080C16MP11	21.0	XAF/XAUC48F	1	850	28.6	19.6	17.00	24.95
AC19B36B21S	TMLE080C16MP11	21.0	XAF/XAUC48F	2	1250	35.2	25.8	—	13.50
AC19B36B21S	TMLE080C16MP11	21.0	XAF/XAUC60G	1	875	29.2	20.4	17.25	25.85
AC19B36B21S	TMLE080C16MP11	21.0	XAF/XAUC60G	2	1275	35.4	26.6	—	13.75
AC19B36B21S	TMLE080C16MP11	24.5	XAF/XAUD60G	1	875	29.0	20.2	17.25	25.75
AC19B36B21S	TMLE080C16MP11	24.5	XAF/XAUD60G	2	1275	35.4	26.4	—	13.75
AC19B36B21S	TMLE080C16MP11	24.5	XAF/XAUD60H	1	850	29.0	20.2	17.25	25.70
AC19B36B21S	TMLE080C16MP11	24.5	XAF/XAUD60H	2	1275	36.0	26.6	—	13.75
AC19B36B21S	TMLE080C16MP11	21.0	XAFC36D	1	800	28.2	19.2	16.75	24.45
AC19B36B21S	TMLE080C16MP11	21.0	XAFC36D	2	1050	34.8	24.2	—	13.75
AC19B36B21S	TMLE080C16MP11	21.0	XAFC60H	1	875	29.2	20.4	17.50	26.00
AC19B36B21S	TMLE080C16MP11	21.0	XAFC60H	2	1275	36.0	26.8	—	13.75
AC19B36B21S	TMLE080C16MP11	24.5	XAFD48F	1	850	28.6	19.6	17.00	25.00
AC19B36B21S	TMLE080C16MP11	24.5	XAFD48F	2	1275	35.2	26.0	—	13.50
AC19B36B21S	TMLE080C16MP11	21.0	XAHC36D	1	800	28.4	19.3	16.75	24.45
AC19B36B21S	TMLE080C16MP11	21.0	XAHC36D	2	1025	34.6	23.8	—	13.75
AC19B36B21S	TMLE080C16MP11	21.0	XAHC48F	1	875	28.8	19.9	17.25	25.20
AC19B36B21S	TMLE080C16MP11	21.0	XAHC48F	2	1275	35.2	26.0	—	13.50
AC19B36B21S	TMLE080C16MP11	21.0	XAHC60G	1	900	29.4	20.6	17.25	26.10
AC19B36B21S	TMLE080C16MP11	21.0	XAHC60G	2	1300	35.6	26.8	—	13.75
AC19B36B21S	TMLE080C16MP11	21.0	XAHC60H	1	925	29.6	21.0	17.75	26.50
AC19B36B21S	TMLE080C16MP11	21.0	XAHC60H	2	1300	36.0	27.0	—	13.75
AC19B36B21S	TMLE080C16MP11	24.5	XAHD48F	1	850	28.6	19.6	17.00	24.95
AC19B36B21S	TMLE080C16MP11	24.5	XAHD48F	2	1250	35.2	25.6	—	13.50
AC19B36B21S	TMLE080C16MP11	21.0	XAHD60G	1	850	29.0	20.0	17.25	25.50
AC19B36B21S	TMLE080C16MP11	21.0	XAHD60G	2	1250	35.4	26.4	—	13.75
AC19B36B21S	TMLE080C16MP11	24.5	XAHD60H	1	875	29.2	20.4	17.50	25.95
AC19B36B21S	TMLE080C16MP11	24.5	XAHD60H	2	1275	36.0	26.6	—	13.75
AC19B36B21S	TMLE080C20MP11	21.0	XAFC36D	1	1225	30.0	23.4	16.25	23.90
AC19B36B21S	TMLE080C20MP11	21.0	XAFC36D	2	1400	35.8	27.4	—	13.25
AC19B36B21S	TMLE080C20MP11	21.0	XAHC36D	1	1200	29.8	23.2	16.00	23.70

SYSTEM CAPACITY - With High Efficiency Motor Furnaces¹ (Continued)

UNIT MODEL	FURNACE MODEL	WIDTH	COIL MODEL ²	STAGE	COOLING				
					RATED CFM	NET MBH		SEER	EER
						TOTAL	SENS.		
AC19B36B21S	TMLE080C20MP11	21.0	XAHC36D	2	1400	35.8	27.4	—	13.00
AC19B36B21S	TMLE100B12MP11	17.5	XAF/XAUB36D	1	825	28.2	19.4	16.50	24.05
AC19B36B21S	TMLE100B12MP11	17.5	XAF/XAUB36D	2	1050	34.6	24.2	—	13.25
AC19B36B21S	TMLE100B12MP11	21.0	XAF/XAUC48F	1	750	27.8	18.4	16.75	24.35
AC19B36B21S	TMLE100B12MP11	21.0	XAF/XAUC48F	2	1075	34.8	24.0	—	13.50
AC19B36B21S	TMLE100B12MP11	21.0	XAF/XAUC60G	1	775	28.4	19.1	16.75	25.20
AC19B36B21S	TMLE100B12MP11	21.0	XAF/XAUC60G	2	1100	35.0	24.8	—	13.75
AC19B36B21S	TMLE100B12MP11	21.0	XAFC36D	1	750	28.0	18.7	16.50	24.45
AC19B36B21S	TMLE100B12MP11	21.0	XAFC36D	2	1200	35.0	25.4	—	13.00
AC19B36B21S	TMLE100B12MP11	21.0	XAFC60H	1	900	29.4	20.8	17.25	25.55
AC19B36B21S	TMLE100B12MP11	21.0	XAFC60H	2	1250	35.8	26.6	—	13.50
AC19B36B21S	TMLE100B12MP11	17.5	XAHB36D	1	825	28.2	19.4	16.25	23.95
AC19B36B21S	TMLE100B12MP11	17.5	XAHB36D	2	1150	34.8	25.2	—	12.75
AC19B36B21S	TMLE100B12MP11	21.0	XAHC36D	1	825	28.2	19.4	16.50	24.00
AC19B36B21S	TMLE100B12MP11	21.0	XAHC36D	2	1050	34.6	24.0	—	13.25
AC19B36B21S	TMLE100B12MP11	21.0	XAHC48F	1	800	28.2	19.0	16.75	24.95
AC19B36B21S	TMLE100B12MP11	21.0	XAHC48F	2	1225	35.0	25.4	—	13.00
AC19B36B21S	TMLE100B12MP11	21.0	XAHC60G	1	800	28.6	19.4	16.75	25.55
AC19B36B21S	TMLE100B12MP11	21.0	XAHC60G	2	1100	35.2	25.0	—	13.75
AC19B36B21S	TMLE100B12MP11	21.0	XAHC60H	1	825	29.0	19.9	17.50	26.00
AC19B36B21S	TMLE100B12MP11	21.0	XAHC60H	2	1250	35.8	26.6	—	13.50
AC19B36B21S	TMLE100C16MP11	21.0	XAF/XAUC48F	1	975	29.2	20.8	17.00	24.85
AC19B36B21S	TMLE100C16MP11	21.0	XAF/XAUC48F	2	1275	35.4	26.2	—	13.50
AC19B36B21S	TMLE100C16MP11	21.0	XAF/XAUC60G	1	850	29.0	20.0	17.25	25.65
AC19B36B21S	TMLE100C16MP11	21.0	XAF/XAUC60G	2	1100	35.2	25.0	—	14.00
AC19B36B21S	TMLE100C16MP11	24.5	XAF/XAUD60G	1	850	29.0	20.0	17.25	25.70
AC19B36B21S	TMLE100C16MP11	24.5	XAF/XAUD60G	2	1300	35.4	26.6	—	13.75
AC19B36B21S	TMLE100C16MP11	24.5	XAF/XAUD60H	1	825	29.0	20.0	17.25	25.50
AC19B36B21S	TMLE100C16MP11	24.5	XAF/XAUD60H	2	1100	35.6	25.2	—	14.00
AC19B36B21S	TMLE100C16MP11	21.0	XAFC36D	1	800	28.4	19.3	17.00	24.65
AC19B36B21S	TMLE100C16MP11	21.0	XAFC36D	2	1075	35.0	24.6	—	13.75
AC19B36B21S	TMLE100C16MP11	21.0	XAFC60H	1	850	29.2	20.2	17.50	25.80
AC19B36B21S	TMLE100C16MP11	21.0	XAFC60H	2	1100	35.6	25.4	—	14.00
AC19B36B21S	TMLE100C16MP11	24.5	XAFD48F	1	825	28.4	19.3	17.00	24.90
AC19B36B21S	TMLE100C16MP11	24.5	XAFD48F	2	1300	35.4	26.2	—	13.50
AC19B36B21S	TMLE100C16MP11	21.0	XAHC36D	1	775	28.0	18.9	16.75	24.30
AC19B36B21S	TMLE100C16MP11	21.0	XAHC36D	2	1050	34.8	24.2	—	13.75
AC19B36B21S	TMLE100C16MP11	21.0	XAHC48F	1	850	28.6	19.6	17.25	25.10
AC19B36B21S	TMLE100C16MP11	21.0	XAHC48F	2	1100	35.0	24.4	—	13.75
AC19B36B21S	TMLE100C16MP11	21.0	XAHC60G	1	875	29.2	20.2	17.25	25.95
AC19B36B21S	TMLE100C16MP11	21.0	XAHC60G	2	1125	35.4	25.2	—	14.00
AC19B36B21S	TMLE100C16MP11	21.0	XAHC60H	1	900	29.4	20.8	17.50	26.40
AC19B36B21S	TMLE100C16MP11	21.0	XAHC60H	2	1150	35.8	25.8	—	14.00
AC19B36B21S	TMLE100C16MP11	24.5	XAHD48F	1	975	29.2	20.8	17.00	24.85
AC19B36B21S	TMLE100C16MP11	24.5	XAHD48F	2	1275	35.4	26.0	—	13.50
AC19B36B21S	TMLE100C16MP11	21.0	XAHD60G	1	825	28.8	19.7	17.25	25.40
AC19B36B21S	TMLE100C16MP11	21.0	XAHD60G	2	1100	35.2	25.0	—	14.00
AC19B36B21S	TMLE100C16MP11	24.5	XAHD60H	1	825	29.0	20.0	17.50	25.55
AC19B36B21S	TMLE100C16MP11	24.5	XAHD60H	2	1100	35.6	25.2	—	14.00
AC19B36B21S	TMLE100C20MP11	21.0	XAFC36D	1	1225	30.0	23.4	16.25	23.80
AC19B36B21S	TMLE100C20MP11	21.0	XAFC36D	2	1400	35.8	27.4	—	13.25

SYSTEM CAPACITY - With High Efficiency Motor Furnaces¹ (Continued)

UNIT MODEL	FURNACE MODEL	WIDTH	COIL MODEL ²	STAGE	COOLING				
					RATED CFM	NET MBH		SEER	EER
						TOTAL	SENS.		
AC19B36B21S	TMLE100C20MP11	21.0	XAHC36D	1	1200	30.0	23.2	16.25	23.60
AC19B36B21S	TMLE100C20MP11	21.0	XAHC36D	2	1375	35.8	27.2	—	13.25
AC19B36B21S	TMLE120C16MP11	21.0	XAF/XAUC48F	1	975	29.2	20.8	17.00	24.85
AC19B36B21S	TMLE120C16MP11	21.0	XAF/XAUC48F	2	1275	35.4	26.2	—	13.50
AC19B36B21S	TMLE120C16MP11	21.0	XAF/XAUC60G	1	875	29.2	20.2	17.50	25.95
AC19B36B21S	TMLE120C16MP11	21.0	XAF/XAUC60G	2	1300	35.8	26.8	—	13.75
AC19B36B21S	TMLE120C16MP11	24.5	XAF/XAUD60G	1	825	28.8	19.7	17.25	25.40
AC19B36B21S	TMLE120C16MP11	24.5	XAF/XAUD60G	2	1100	35.2	24.8	—	13.75
AC19B36B21S	TMLE120C16MP11	24.5	XAF/XAUD60H	1	850	29.0	20.2	17.50	25.80
AC19B36B21S	TMLE120C16MP11	24.5	XAF/XAUD60H	2	1300	36.0	26.8	—	13.75
AC19B36B21S	TMLE120C16MP11	21.0	XAFC36D	1	800	28.4	19.3	17.00	24.60
AC19B36B21S	TMLE120C16MP11	21.0	XAFC36D	2	1075	35.0	24.4	—	13.75
AC19B36B21S	TMLE120C16MP11	21.0	XAFC60H	1	875	29.2	20.4	17.50	26.10
AC19B36B21S	TMLE120C16MP11	21.0	XAFC60H	2	1300	36.0	27.0	—	13.75
AC19B36B21S	TMLE120C16MP11	24.5	XAFD48F	1	975	29.2	20.8	17.00	24.90
AC19B36B21S	TMLE120C16MP11	24.5	XAFD48F	2	1300	35.4	26.2	—	13.50
AC19B36B21S	TMLE120C16MP11	21.0	XAHC36D	1	800	28.2	19.2	17.00	24.50
AC19B36B21S	TMLE120C16MP11	21.0	XAHC36D	2	1050	34.8	24.2	—	13.75
AC19B36B21S	TMLE120C16MP11	21.0	XAHC48F	1	875	28.8	19.9	17.25	25.35
AC19B36B21S	TMLE120C16MP11	21.0	XAHC48F	2	1300	35.4	26.2	—	13.50
AC19B36B21S	TMLE120C16MP11	21.0	XAHC60G	1	900	29.4	20.6	17.50	26.20
AC19B36B21S	TMLE120C16MP11	21.0	XAHC60G	2	1325	35.8	26.8	—	13.75
AC19B36B21S	TMLE120C16MP11	21.0	XAHC60H	1	925	29.6	21.0	17.75	26.60
AC19B36B21S	TMLE120C16MP11	21.0	XAHC60H	2	1325	36.0	27.2	—	13.75
AC19B36B21S	TMLE120C16MP11	24.5	XAHD48F	1	975	29.2	20.8	17.00	24.85
AC19B36B21S	TMLE120C16MP11	24.5	XAHD48F	2	1300	35.4	26.2	—	13.50
AC19B36B21S	TMLE120C16MP11	21.0	XAHD60G	1	850	29.0	20.0	17.25	25.60
AC19B36B21S	TMLE120C16MP11	21.0	XAHD60G	2	1300	35.8	26.8	—	13.75
AC19B36B21S	TMLE120C16MP11	24.5	XAHD60H	1	850	29.0	20.2	17.50	25.75
AC19B36B21S	TMLE120C16MP11	24.5	XAHD60H	2	1100	35.6	25.2	—	14.00
AC19B36B21S	TMLV060A12MP12C	14.5	CF/CM/CU36B	1	775	28.2	20.8	16.75	23.65
AC19B36B21S	TMLV060A12MP12C	14.5	CF/CM/CU36B	2	1150	34.6	27.4	16.75	13.00
AC19B36B21S	TMLV060A12MP12C	14.5	CF42B	1	725	28.2	19.9	16.75	23.85
AC19B36B21S	TMLV060A12MP12C	14.5	CF42B	2	1050	34.6	26.2	16.75	13.25
AC19B36B21S	TMLV060A12MP12C	17.5	XAF/XAUB36D	1	725	27.8	18.4	16.25	24.05
AC19B36B21S	TMLV060A12MP12C	17.5	XAF/XAUB36D	2	1050	34.6	24.0	—	13.25
AC19B36B21S	TMLV080B12MP12C	17.5	CF/CM/CU36B	1	675	27.6	19.2	16.50	23.05
AC19B36B21S	TMLV080B12MP12C	17.5	CF/CM/CU36B	2	1000	34.2	25.6	16.50	13.00
AC19B36B21S	TMLV080B12MP12C	17.5	CF/CM/CU42C	1	675	27.8	19.2	16.50	23.50
AC19B36B21S	TMLV080B12MP12C	17.5	CF/CM/CU42C	2	1000	34.4	25.6	16.50	13.25
AC19B36B21S	TMLV080B12MP12C	17.5	CF/CM/CU48C	1	675	27.6	19.4	16.75	23.40
AC19B36B21S	TMLV080B12MP12C	17.5	CF/CM/CU48C	2	1000	34.4	25.8	16.75	13.25
AC19B36B21S	TMLV080B12MP12C	17.5	CF42B	1	675	27.8	19.2	16.50	23.25
AC19B36B21S	TMLV080B12MP12C	17.5	CF42B	2	1000	34.4	25.4	16.50	13.25
AC19B36B21S	TMLV080C16MP12C	21.0	CF/CM/CU48D	1	825	29.0	21.6	17.50	24.80
AC19B36B21S	TMLV080C16MP12C	21.0	CF/CM/CU48D	2	1200	35.4	28.6	17.50	13.75
AC19B36B21S	TMLV080C16MP12C	21.0	CF/CM/CU60D	1	825	28.6	20.8	17.00	24.40
AC19B36B21S	TMLV080C16MP12C	21.0	CF/CM/CU60D	2	1200	35.6	27.0	17.00	13.75
AC19B36B21S	TMLV080C16MP12C	21.0	CF/CM42D	1	850	29.2	21.6	17.50	25.00
AC19B36B21S	TMLV080C16MP12C	21.0	CF/CM42D	2	1275	35.6	29.2	17.50	13.50
AC19B36B21S	TMLV100C16MP12C	21.0	CF/CM/CU48D	1	825	29.0	21.6	17.50	24.80

SYSTEM CAPACITY - With High Efficiency Motor Furnaces¹ (Continued)

UNIT MODEL	FURNACE MODEL	WIDTH	COIL MODEL ²	STAGE	COOLING				
					RATED CFM	NET MBH		SEER	EER
						TOTAL	SENS.		
AC19B36B21S	TMLV100C16MP12C	21.0	CF/CM/CU48D	2	1200	35.4	28.6	17.50	13.75
AC19B36B21S	TMLV100C16MP12C	21.0	CF/CM/CU60D	1	825	28.6	20.8	17.00	24.40
AC19B36B21S	TMLV100C16MP12C	21.0	CF/CM/CU60D	2	1200	35.6	27.0	17.00	13.75
AC19B36B21S	TMLV100C16MP12C	21.0	CF/CM42D	1	850	29.2	21.6	17.50	25.00
AC19B36B21S	TMLV100C16MP12C	21.0	CF/CM42D	2	1275	35.6	29.2	17.50	13.50
AC19B36B21S	TMLV100C16MP12C	21.0	XAF/XAUC48F	1	850	28.6	19.6	16.75	24.80
AC19B36B21S	TMLV100C16MP12C	21.0	XAF/XAUC48F	2	1275	35.4	26.0	—	13.25
AC19B36B21S	TMLV100C16MP12C	21.0	XAF/XAUC60G	1	725	28.2	18.6	17.25	25.10
AC19B36B21S	TMLV100C16MP12C	21.0	XAF/XAUC60G	2	1050	35.0	24.4	—	13.75
AC19B36B21S	TMLV100C16MP12C	24.5	XAF/XAUD60G	1	850	29.0	20.0	17.25	25.50
AC19B36B21S	TMLV100C16MP12C	24.5	XAF/XAUD60G	2	1275	35.6	26.4	—	13.50
AC19B36B21S	TMLV100C16MP12C	24.5	XAF/XAUD60H	1	850	29.0	20.2	17.25	25.50
AC19B36B21S	TMLV100C16MP12C	24.5	XAF/XAUD60H	2	1275	36.0	26.6	—	13.75
AC19B36B21S	TMLV100C16MP12C	21.0	XAFC36D	1	850	28.6	19.8	16.75	24.65
AC19B36B21S	TMLV100C16MP12C	21.0	XAFC36D	2	1275	35.4	26.4	—	13.25
AC19B36B21S	TMLV100C16MP12C	21.0	XAFC60H	1	850	29.0	20.2	17.25	25.75
AC19B36B21S	TMLV100C16MP12C	21.0	XAFC60H	2	1275	36.0	26.8	—	13.75
AC19B36B21S	TMLV100C16MP12C	24.5	XAFD48F	1	900	28.8	20.2	16.75	24.85
AC19B36B21S	TMLV100C16MP12C	24.5	XAFD48F	2	1425	35.8	27.2	—	13.00
AC19B36B21S	TMLV100C16MP12C	21.0	XAHC36D	1	850	28.6	19.8	16.75	24.50
AC19B36B21S	TMLV100C16MP12C	21.0	XAHC36D	2	1275	35.4	26.4	—	13.00
AC19B36B21S	TMLV100C16MP12C	21.0	XAHC48F	1	850	28.6	19.6	17.00	25.05
AC19B36B21S	TMLV100C16MP12C	21.0	XAHC48F	2	1275	35.4	26.0	—	13.25
AC19B36B21S	TMLV100C16MP12C	21.0	XAHC60G	1	800	28.6	19.4	17.50	25.75
AC19B36B21S	TMLV100C16MP12C	21.0	XAHC60G	2	1150	35.4	25.4	—	13.75
AC19B36B21S	TMLV100C16MP12C	21.0	XAHC60H	1	900	29.4	20.8	17.50	26.30
AC19B36B21S	TMLV100C16MP12C	21.0	XAHC60H	2	1375	36.0	27.6	—	13.50
AC19B36B21S	TMLV100C16MP12C	24.5	XAHD48F	1	850	28.6	19.6	16.75	24.75
AC19B36B21S	TMLV100C16MP12C	24.5	XAHD48F	2	1275	35.4	25.8	—	13.25
AC19B36B21S	TMLV100C16MP12C	21.0	XAHD60G	1	850	29.0	20.0	17.00	25.35
AC19B36B21S	TMLV100C16MP12C	21.0	XAHD60G	2	1275	35.6	26.6	—	13.50
AC19B36B21S	TMLV100C16MP12C	24.5	XAHD60H	1	850	29.0	20.2	17.25	25.65
AC19B36B21S	TMLV100C16MP12C	24.5	XAHD60H	2	1275	36.0	26.6	—	13.75
AC19B36B21S	TMLV100C20MP11C	21.0	CF/CM64D	1	925	30.0	23.0	18.25	26.20
AC19B36B21S	TMLV100C20MP11C	21.0	CF/CM64D	2	1375	36.0	29.4	18.25	14.25
AC19B36B21S	TMLV100C20MP12C	21.0	CF/CM/CU48D	1	925	29.6	22.8	17.75	25.40
AC19B36B21S	TMLV100C20MP12C	21.0	CF/CM/CU48D	2	1375	35.8	30.6	17.75	13.75
AC19B36B21S	TMLV100C20MP12C	21.0	CF/CM/CU60D	1	875	29.0	21.6	17.50	24.90
AC19B36B21S	TMLV100C20MP12C	21.0	CF/CM/CU60D	2	1225	35.8	27.4	17.50	14.00
AC19B36B21S	TMLV100C20MP12C	21.0	CF/CM42D	1	875	29.4	22.0	17.75	25.40
AC19B36B21S	TMLV100C20MP12C	21.0	CF/CM42D	2	1225	35.8	28.4	17.75	14.00
AC19B36B21S	TMLV100C20MP12C	21.0	CF/CM64D	1	925	30.0	23.0	18.25	26.20
AC19B36B21S	TMLV100C20MP12C	21.0	CF/CM64D	2	1375	36.0	29.4	18.25	14.25
AC19B36B21S	TMLV120C20MP11C	21.0	CF/CM64D	1	925	30.0	23.0	18.25	26.20
AC19B36B21S	TMLV120C20MP11C	21.0	CF/CM64D	2	1375	36.0	29.4	18.25	14.25
AC19B36B21S	TMLV120C20MP12C	21.0	CF/CM/CU48D	1	925	29.6	22.8	17.75	25.40
AC19B36B21S	TMLV120C20MP12C	21.0	CF/CM/CU48D	2	1375	35.8	30.6	17.75	13.75
AC19B36B21S	TMLV120C20MP12C	21.0	CF/CM/CU60D	1	875	29.0	21.6	17.50	24.90
AC19B36B21S	TMLV120C20MP12C	21.0	CF/CM/CU60D	2	1225	35.8	27.4	17.50	14.00
AC19B36B21S	TMLV120C20MP12C	21.0	CF/CM42D	1	875	29.4	22.0	17.75	25.40
AC19B36B21S	TMLV120C20MP12C	21.0	CF/CM42D	2	1225	35.8	28.4	17.75	14.00

SYSTEM CAPACITY - With High Efficiency Motor Furnaces¹ (Continued)

UNIT MODEL	FURNACE MODEL	WIDTH	COIL MODEL ²	STAGE	COOLING				
					RATED CFM	NET MBH		SEER	EER
						TOTAL	SENS.		
AC19B36B21S	TMLV120C20MP12C	21.0	CF/CM64D	1	925	30.0	23.0	18.25	26.20
AC19B36B21S	TMLV120C20MP12C	21.0	CF/CM64D	2	1375	36.0	29.4	18.25	14.25
AC19B36B21S	TMLV120C20MP12C	21.0	XAF/XAUC60G	1	925	29.4	20.8	17.50	26.15
AC19B36B21S	TMLV120C20MP12C	21.0	XAF/XAUC60G	2	1375	36.0	27.2	—	13.75
AC19B36B21S	TMLV120C20MP12C	21.0	XAFC60H	1	925	29.6	21.0	17.75	26.35
AC19B36B21S	TMLV120C20MP12C	21.0	XAFC60H	2	1375	36.0	27.4	—	14.00
AC19B36B21S	TMLV120C20MP12C	21.0	XAHC48F	1	925	29.0	20.4	17.25	25.60
AC19B36B21S	TMLV120C20MP12C	21.0	XAHC48F	2	1375	35.8	26.8	—	13.50
AC19B36B21S	TMLV120C20MP12C	21.0	XAHC60G	1	900	29.4	20.6	17.75	26.40
AC19B36B21S	TMLV120C20MP12C	21.0	XAHC60G	2	1325	36.0	26.8	—	14.00
AC19B36B21S	TMLV120C20MP12C	21.0	XAHC60H	1	925	29.6	21.0	18.00	26.75
AC19B36B21S	TMLV120C20MP12C	21.0	XAHC60H	2	1375	36.0	27.4	—	14.00
AC19B36B21S	TMLX060A12MP11	14.5	CF/CM/CU36B	1	700	27.8	19.6	16.75	23.75
AC19B36B21S	TMLX060A12MP11	14.5	CF/CM/CU36B	2	1125	34.8	27.0	16.75	13.00
AC19B36B21S	TMLX060A12MP11	14.5	CF42B	1	750	28.4	20.4	16.75	23.90
AC19B36B21S	TMLX060A12MP11	14.5	CF42B	2	1125	35.0	27.0	16.75	13.25
AC19B36B21S	TMLX080B12MP11	17.5	CF/CM/CU36B	1	850	28.6	21.8	17.00	23.65
AC19B36B21S	TMLX080B12MP11	17.5	CF/CM/CU36B	2	975	34.2	25.4	17.00	13.50
AC19B36B21S	TMLX080B12MP11	17.5	CF/CM/CU36C	1	825	28.6	21.6	17.00	24.25
AC19B36B21S	TMLX080B12MP11	17.5	CF/CM/CU36C	2	1200	35.0	28.0	17.00	13.25
AC19B36B21S	TMLX080B12MP11	17.5	CF/CM/CU42C	1	875	29.2	21.8	17.25	24.65
AC19B36B21S	TMLX080B12MP11	17.5	CF/CM/CU42C	2	1200	35.4	28.2	17.25	13.25
AC19B36B21S	TMLX080B12MP11	17.5	CF/CM/CU48C	1	750	28.4	20.6	17.25	24.70
AC19B36B21S	TMLX080B12MP11	17.5	CF/CM/CU48C	2	1200	35.4	28.4	17.25	13.50
AC19B36B21S	TMLX080B12MP11	17.5	CF/CM/CU60C	1	825	28.4	20.8	17.00	24.15
AC19B36B21S	TMLX080B12MP11	17.5	CF/CM/CU60C	2	1200	35.6	26.8	17.00	13.50
AC19B36B21S	TMLX080B12MP11	17.5	CF42B	1	800	28.8	21.0	17.00	24.35
AC19B36B21S	TMLX080B12MP11	17.5	CF42B	2	1150	35.2	27.2	17.00	13.50
AC19B36B21S	TMLX080C16MP11	21.0	CF/CM/CU36C	1	750	28.2	20.6	17.50	24.50
AC19B36B21S	TMLX080C16MP11	21.0	CF/CM/CU36C	2	1150	35.2	27.8	17.50	14.00
AC19B36B21S	TMLX080C16MP11	21.0	CF/CM/CU42C	1	1000	30.0	23.4	17.50	25.05
AC19B36B21S	TMLX080C16MP11	21.0	CF/CM/CU42C	2	1150	35.6	27.4	17.50	14.00
AC19B36B21S	TMLX080C16MP11	21.0	CF/CM/CU48C	1	750	28.4	20.2	17.50	24.85
AC19B36B21S	TMLX080C16MP11	21.0	CF/CM/CU48C	2	1150	35.4	28.0	17.50	14.00
AC19B36B21S	TMLX080C16MP11	21.0	CF/CM/CU48D	1	1000	30.2	23.6	17.50	25.30
AC19B36B21S	TMLX080C16MP11	21.0	CF/CM/CU48D	2	1150	35.4	28.0	17.50	14.00
AC19B36B21S	TMLX080C16MP11	21.0	CF/CM/CU60C	1	1000	29.6	23.0	17.25	24.55
AC19B36B21S	TMLX080C16MP11	21.0	CF/CM/CU60C	2	1150	35.6	27.0	17.25	14.00
AC19B36B21S	TMLX080C16MP11	21.0	CF/CM/CU60D	1	1025	29.8	23.0	17.25	25.05
AC19B36B21S	TMLX080C16MP11	21.0	CF/CM/CU60D	2	1400	36.0	28.8	17.25	13.50
AC19B36B21S	TMLX080C16MP11	21.0	CF/CM36D	1	750	28.2	20.6	17.25	24.60
AC19B36B21S	TMLX080C16MP11	21.0	CF/CM36D	2	1175	35.2	28.0	17.25	13.75
AC19B36B21S	TMLX080C16MP11	21.0	CF/CM42D	1	750	28.4	20.4	17.50	24.90
AC19B36B21S	TMLX080C16MP11	21.0	CF/CM42D	2	1175	35.8	27.8	17.50	14.00
AC19B36B21S	TMLX080C16MP11	21.0	CF/CM64D	1	750	28.8	20.8	17.75	25.30
AC19B36B21S	TMLX080C16MP11	21.0	CF/CM64D	2	1150	36.0	27.6	17.75	14.25
AC19B36B21S	TMLX100C16MP11	21.0	CF/CM/CU36C	1	750	28.2	20.6	17.50	24.50
AC19B36B21S	TMLX100C16MP11	21.0	CF/CM/CU36C	2	1150	35.2	27.8	17.50	14.00
AC19B36B21S	TMLX100C16MP11	21.0	CF/CM/CU42C	1	1000	30.0	23.4	17.50	25.05
AC19B36B21S	TMLX100C16MP11	21.0	CF/CM/CU42C	2	1150	35.6	27.4	17.50	14.00
AC19B36B21S	TMLX100C16MP11	21.0	CF/CM/CU48C	1	750	28.4	20.2	17.50	24.85

SYSTEM CAPACITY - With High Efficiency Motor Furnaces¹ (Continued)

UNIT MODEL	FURNACE MODEL	WIDTH	COIL MODEL ²	STAGE	COOLING				
					RATED CFM	NET MBH		SEER	EER
						TOTAL	SENS.		
AC19B36B21S	TMLX100C16MP11	21.0	CF/CM/CU48C	2	1150	35.4	28.0	17.50	14.00
AC19B36B21S	TMLX100C16MP11	21.0	CF/CM/CU48D	1	1000	30.2	23.6	17.50	25.30
AC19B36B21S	TMLX100C16MP11	21.0	CF/CM/CU48D	2	1150	35.4	28.0	17.50	14.00
AC19B36B21S	TMLX100C16MP11	21.0	CF/CM/CU60C	1	1000	29.6	23.0	17.25	24.55
AC19B36B21S	TMLX100C16MP11	21.0	CF/CM/CU60C	2	1150	35.6	27.0	17.25	14.00
AC19B36B21S	TMLX100C16MP11	21.0	CF/CM/CU60D	1	1025	29.8	23.0	17.25	25.05
AC19B36B21S	TMLX100C16MP11	21.0	CF/CM/CU60D	2	1400	36.0	28.8	17.25	13.50
AC19B36B21S	TMLX100C16MP11	21.0	CF/CM36D	1	750	28.2	20.6	17.25	24.60
AC19B36B21S	TMLX100C16MP11	21.0	CF/CM36D	2	1175	35.2	28.0	17.25	13.75
AC19B36B21S	TMLX100C16MP11	21.0	CF/CM42D	1	750	28.4	20.4	17.50	24.90
AC19B36B21S	TMLX100C16MP11	21.0	CF/CM42D	2	1175	35.8	27.8	17.50	14.00
AC19B36B21S	TMLX100C16MP11	21.0	CF/CM64D	1	750	28.8	20.8	17.75	25.30
AC19B36B21S	TMLX100C16MP11	21.0	CF/CM64D	2	1150	36.0	27.6	17.75	14.25
AC19B36B21S	TMLX100C20MP11	21.0	CF/CM/CU36C	1	1025	29.8	23.6	17.50	24.95
AC19B36B21S	TMLX100C20MP11	21.0	CF/CM/CU36C	2	1225	35.4	28.8	17.50	14.00
AC19B36B21S	TMLX100C20MP11	21.0	CF/CM/CU42C	1	1050	30.2	24.2	17.75	25.50
AC19B36B21S	TMLX100C20MP11	21.0	CF/CM/CU42C	2	1400	36.0	30.2	17.75	13.75
AC19B36B21S	TMLX100C20MP11	21.0	CF/CM/CU48C	1	1050	30.2	24.2	18.00	25.50
AC19B36B21S	TMLX100C20MP11	21.0	CF/CM/CU48C	2	1225	35.8	28.8	18.00	14.25
AC19B36B21S	TMLX100C20MP11	21.0	CF/CM/CU48D	1	1050	30.2	24.0	17.75	25.55
AC19B36B21S	TMLX100C20MP11	21.0	CF/CM/CU48D	2	1250	36.0	29.0	17.75	14.00
AC19B36B21S	TMLX100C20MP11	21.0	CF/CM/CU60C	1	1025	29.8	22.8	17.50	24.90
AC19B36B21S	TMLX100C20MP11	21.0	CF/CM/CU60C	2	1225	36.0	27.2	17.50	14.25
AC19B36B21S	TMLX100C20MP11	21.0	CF/CM/CU60D	1	1050	30.0	23.4	17.50	25.15
AC19B36B21S	TMLX100C20MP11	21.0	CF/CM/CU60D	2	1250	36.0	27.8	17.50	14.00
AC19B36B21S	TMLX100C20MP11	21.0	CF/CM36D	1	1050	30.0	24.2	17.50	25.10
AC19B36B21S	TMLX100C20MP11	21.0	CF/CM36D	2	1250	35.6	29.0	17.50	14.00
AC19B36B21S	TMLX100C20MP11	21.0	CF/CM42D	1	1050	30.2	24.2	17.75	25.50
AC19B36B21S	TMLX100C20MP11	21.0	CF/CM42D	2	1250	35.8	28.8	17.75	14.00
AC19B36B21S	TMLX100C20MP11	21.0	CF/CM64D	1	1050	30.6	24.6	18.00	26.00
AC19B36B21S	TMLX100C20MP11	21.0	CF/CM64D	2	1225	36.0	28.4	18.00	14.50
AC19B36B21S	TMLX120C20MP11	21.0	CF/CM/CU36C	1	1025	29.8	23.6	17.50	24.95
AC19B36B21S	TMLX120C20MP11	21.0	CF/CM/CU36C	2	1225	35.4	28.8	17.50	14.00
AC19B36B21S	TMLX120C20MP11	21.0	CF/CM/CU42C	1	1050	30.2	24.2	17.75	25.50
AC19B36B21S	TMLX120C20MP11	21.0	CF/CM/CU42C	2	1400	36.0	30.2	17.75	13.75
AC19B36B21S	TMLX120C20MP11	21.0	CF/CM/CU48C	1	1050	30.2	24.2	18.00	25.50
AC19B36B21S	TMLX120C20MP11	21.0	CF/CM/CU48C	2	1225	35.8	28.8	18.00	14.25
AC19B36B21S	TMLX120C20MP11	21.0	CF/CM/CU48D	1	1050	30.2	24.0	17.75	25.55
AC19B36B21S	TMLX120C20MP11	21.0	CF/CM/CU48D	2	1250	36.0	29.0	17.75	14.00
AC19B36B21S	TMLX120C20MP11	21.0	CF/CM/CU60C	1	1025	29.8	22.8	17.50	24.90
AC19B36B21S	TMLX120C20MP11	21.0	CF/CM/CU60C	2	1225	36.0	27.2	17.50	14.25
AC19B36B21S	TMLX120C20MP11	21.0	CF/CM/CU60D	1	1050	30.0	23.4	17.50	25.15
AC19B36B21S	TMLX120C20MP11	21.0	CF/CM/CU60D	2	1250	36.0	27.8	17.50	14.00
AC19B36B21S	TMLX120C20MP11	21.0	CF/CM36D	1	1050	30.0	24.2	17.50	25.10
AC19B36B21S	TMLX120C20MP11	21.0	CF/CM36D	2	1250	35.6	29.0	17.50	14.00
AC19B36B21S	TMLX120C20MP11	21.0	CF/CM42D	1	1050	30.2	24.2	17.75	25.50
AC19B36B21S	TMLX120C20MP11	21.0	CF/CM42D	2	1250	35.8	28.8	17.75	14.00
AC19B36B21S	TMLX120C20MP11	21.0	CF/CM64D	1	1050	30.6	24.6	18.00	26.00
AC19B36B21S	TMLX120C20MP11	21.0	CF/CM64D	2	1225	36.0	28.4	18.00	14.50
AC19B36B21S	TP9C060B12MP13C	17.5	CF/CM/CU42C	1	700	28.0	19.5	16.75	23.70
AC19B36B21S	TP9C060B12MP13C	17.5	CF/CM/CU42C	2	1100	34.6	26.8	16.75	13.00

SYSTEM CAPACITY - With High Efficiency Motor Furnaces¹ (Continued)

UNIT MODEL	FURNACE MODEL	WIDTH	COIL MODEL ²	STAGE	COOLING				
					RATED CFM	NET MBH		SEER	EER
						TOTAL	SENS.		
AC19B36B21S	TP9C060B12MP13C	17.5	CF/CM/CU48C	1	700	28.0	19.6	16.75	23.75
AC19B36B21S	TP9C060B12MP13C	17.5	CF/CM/CU48C	2	1100	34.6	27.0	16.75	13.00
AC19B36B21S	TP9C060B12MP13C	17.5	XAF/XAUB36D	1	700	27.4	18.0	16.25	23.50
AC19B36B21S	TP9C060B12MP13C	17.5	XAF/XAUB36D	2	1125	34.6	24.8	—	12.75
AC19B36B21S	TP9C060B12MP13C	21.0	XAF/XAUC48F	1	675	27.2	17.6	16.25	23.40
AC19B36B21S	TP9C060B12MP13C	21.0	XAF/XAUC48F	2	1100	34.6	24.2	—	13.00
AC19B36B21S	TP9C060B12MP13C	21.0	XAF/XAUC60G	1	700	27.8	18.2	16.50	24.40
AC19B36B21S	TP9C060B12MP13C	21.0	XAF/XAUC60G	2	1100	34.8	24.8	—	13.25
AC19B36B21S	TP9C060B12MP13C	21.0	XAFC36D	1	700	27.4	18.0	16.25	23.55
AC19B36B21S	TP9C060B12MP13C	21.0	XAFC36D	2	1100	34.6	24.6	—	12.75
AC19B36B21S	TP9C060B12MP13C	21.0	XAFC60H	1	650	27.4	17.8	16.50	24.15
AC19B36B21S	TP9C060B12MP13C	21.0	XAFC60H	2	1000	34.8	24.0	—	13.50
AC19B36B21S	TP9C060B12MP13C	17.5	XAHB36D	1	650	27.2	17.5	15.75	23.20
AC19B36B21S	TP9C060B12MP13C	17.5	XAHB36D	2	1025	34.2	24.0	—	12.75
AC19B36B21S	TP9C060B12MP13C	21.0	XAHC36D	1	700	27.4	18.0	16.25	23.50
AC19B36B21S	TP9C060B12MP13C	21.0	XAHC36D	2	1125	34.6	24.8	—	12.75
AC19B36B21S	TP9C060B12MP13C	21.0	XAHC48F	1	675	27.2	17.6	16.50	23.70
AC19B36B21S	TP9C060B12MP13C	21.0	XAHC48F	2	1100	34.6	24.2	—	13.00
AC19B36B21S	TP9C060B12MP13C	21.0	XAHC60G	1	650	27.4	17.6	16.75	24.45
AC19B36B21S	TP9C060B12MP13C	21.0	XAHC60G	2	1000	34.6	23.8	—	13.50
AC19B36B21S	TP9C060B12MP13C	21.0	XAHC60H	1	650	27.4	17.7	17.00	24.60
AC19B36B21S	TP9C060B12MP13C	21.0	XAHC60H	2	1000	34.8	24.0	—	13.50
AC19B36B21S	TP9C080B12MP13C	17.5	CF/CM/CU42C	1	825	29.0	21.6	17.00	24.35
AC19B36B21S	TP9C080B12MP13C	17.5	CF/CM/CU42C	2	1250	35.2	28.6	17.00	13.00
AC19B36B21S	TP9C080B12MP13C	17.5	CF/CM/CU48C	1	750	28.4	20.4	17.00	24.00
AC19B36B21S	TP9C080B12MP13C	17.5	CF/CM/CU48C	2	1150	35.0	28.0	17.00	13.25
AC19B36B21S	TP9C080B12MP13C	17.5	XAF/XAUB36D	1	675	27.2	17.7	16.50	23.50
AC19B36B21S	TP9C080B12MP13C	17.5	XAF/XAUB36D	2	975	34.2	23.4	—	13.25
AC19B36B21S	TP9C080B12MP13C	21.0	XAF/XAUC48F	1	675	27.4	17.7	16.50	23.80
AC19B36B21S	TP9C080B12MP13C	21.0	XAF/XAUC48F	2	975	34.2	23.0	—	13.50
AC19B36B21S	TP9C080B12MP13C	21.0	XAF/XAUC60G	1	775	28.4	19.1	17.00	24.95
AC19B36B21S	TP9C080B12MP13C	21.0	XAF/XAUC60G	2	1175	35.2	25.6	—	13.50
AC19B36B21S	TP9C080B12MP13C	21.0	XAFC36D	1	675	27.2	17.7	16.50	23.55
AC19B36B21S	TP9C080B12MP13C	21.0	XAFC36D	2	975	34.4	23.4	—	13.50
AC19B36B21S	TP9C080B12MP13C	21.0	XAFC60H	1	825	28.8	19.9	17.00	25.15
AC19B36B21S	TP9C080B12MP13C	21.0	XAFC60H	2	1250	35.8	26.6	—	13.25
AC19B36B21S	TP9C080B12MP13C	17.5	XAHB36D	1	675	27.2	17.7	16.25	23.25
AC19B36B21S	TP9C080B12MP13C	17.5	XAHB36D	2	975	34.2	23.4	—	13.25
AC19B36B21S	TP9C080B12MP13C	21.0	XAHC36D	1	675	27.2	17.7	16.50	23.45
AC19B36B21S	TP9C080B12MP13C	21.0	XAHC36D	2	975	34.2	23.2	—	13.25
AC19B36B21S	TP9C080B12MP13C	21.0	XAHC48F	1	725	27.6	18.2	16.50	24.25
AC19B36B21S	TP9C080B12MP13C	21.0	XAHC48F	2	1075	34.6	24.0	—	13.25
AC19B36B21S	TP9C080B12MP13C	21.0	XAHC60G	1	750	28.2	18.8	17.25	25.10
AC19B36B21S	TP9C080B12MP13C	21.0	XAHC60G	2	1150	35.2	25.4	—	13.50
AC19B36B21S	TP9C080B12MP13C	21.0	XAHC60H	1	700	28.0	18.4	17.25	25.15
AC19B36B21S	TP9C080B12MP13C	21.0	XAHC60H	2	1050	35.2	24.6	—	13.75
AC19B36B21S	TP9C080C16MP13C	21.0	CF/CM/CU36C	1	750	28.2	20.6	17.00	24.05
AC19B36B21S	TP9C080C16MP13C	21.0	CF/CM/CU36C	2	1125	35.0	27.0	17.00	13.75
AC19B36B21S	TP9C080C16MP13C	21.0	CF/CM/CU42C	1	875	29.2	21.8	17.25	24.75
AC19B36B21S	TP9C080C16MP13C	21.0	CF/CM/CU42C	2	1300	35.8	29.0	17.25	13.50
AC19B36B21S	TP9C080C16MP13C	21.0	CF/CM/CU48C	1	800	28.6	21.0	17.25	24.55

SYSTEM CAPACITY - With High Efficiency Motor Furnaces¹ (Continued)

UNIT MODEL	FURNACE MODEL	WIDTH	COIL MODEL ²	STAGE	COOLING				
					RATED CFM	NET MBH		SEER	EER
						TOTAL	SENS.		
AC19B36B21S	TP9C080C16MP13C	21.0	CF/CM/CU48C	2	1225	35.6	28.6	17.25	13.50
AC19B36B21S	TP9C080C16MP13C	21.0	CF/CM/CU48D	1	800	28.6	21.0	17.25	24.60
AC19B36B21S	TP9C080C16MP13C	21.0	CF/CM/CU48D	2	1225	35.6	28.6	17.25	13.50
AC19B36B21S	TP9C080C16MP13C	21.0	CF/CM/CU60C	1	875	28.8	21.4	17.00	24.30
AC19B36B21S	TP9C080C16MP13C	21.0	CF/CM/CU60C	2	1300	35.8	28.0	17.00	13.50
AC19B36B21S	TP9C080C16MP13C	21.0	CF/CM/CU60D	1	875	28.8	21.4	17.00	24.45
AC19B36B21S	TP9C080C16MP13C	21.0	CF/CM/CU60D	2	1300	36.0	28.0	17.00	13.50
AC19B36B21S	TP9C080C16MP13C	21.0	CF/CM36D	1	750	28.2	20.6	17.00	24.10
AC19B36B21S	TP9C080C16MP13C	21.0	CF/CM36D	2	1125	35.0	27.0	17.00	13.50
AC19B36B21S	TP9C080C16MP13C	21.0	CF/CM42D	1	875	29.2	21.8	17.25	24.85
AC19B36B21S	TP9C080C16MP13C	21.0	CF/CM42D	2	1300	35.8	29.0	17.25	13.50
AC19B36B21S	TP9C080C16MP13C	21.0	CF/CM64D	1	875	29.6	22.2	17.75	25.35
AC19B36B21S	TP9C080C16MP13C	21.0	CF/CM64D	2	1300	36.0	29.0	17.75	13.75
AC19B36B21S	TP9C080C16MP13C	21.0	XAF/XAUC48F	1	875	28.6	19.8	16.75	24.45
AC19B36B21S	TP9C080C16MP13C	21.0	XAF/XAUC48F	2	1300	35.4	26.4	—	13.00
AC19B36B21S	TP9C080C16MP13C	21.0	XAF/XAUC60G	1	800	28.6	19.4	17.00	25.10
AC19B36B21S	TP9C080C16MP13C	21.0	XAF/XAUC60G	2	1225	35.4	26.2	—	13.50
AC19B36B21S	TP9C080C16MP13C	24.5	XAF/XAUD60G	1	875	29.0	20.2	17.00	25.15
AC19B36B21S	TP9C080C16MP13C	24.5	XAF/XAUD60G	2	1300	35.6	26.8	—	13.25
AC19B36B21S	TP9C080C16MP13C	24.5	XAF/XAUD60H	1	800	28.6	19.6	17.00	24.90
AC19B36B21S	TP9C080C16MP13C	24.5	XAF/XAUD60H	2	1225	35.8	26.4	—	13.50
AC19B36B21S	TP9C080C16MP13C	21.0	XAFC36D	1	800	28.4	19.3	16.75	24.25
AC19B36B21S	TP9C080C16MP13C	21.0	XAFC36D	2	1225	35.0	26.0	—	13.00
AC19B36B21S	TP9C080C16MP13C	21.0	XAFC60H	1	800	28.8	19.7	17.25	25.20
AC19B36B21S	TP9C080C16MP13C	21.0	XAFC60H	2	1225	35.8	26.6	—	13.50
AC19B36B21S	TP9C080C16MP13C	24.5	XAFD48F	1	875	28.6	19.8	16.75	24.45
AC19B36B21S	TP9C080C16MP13C	24.5	XAFD48F	2	1300	35.4	26.2	—	13.00
AC19B36B21S	TP9C080C16MP13C	21.0	XAHC36D	1	800	28.4	19.3	16.50	24.15
AC19B36B21S	TP9C080C16MP13C	21.0	XAHC36D	2	1225	35.0	26.0	—	13.00
AC19B36B21S	TP9C080C16MP13C	21.0	XAHC48F	1	875	28.6	19.8	16.75	24.70
AC19B36B21S	TP9C080C16MP13C	21.0	XAHC48F	2	1300	35.4	26.2	—	13.00
AC19B36B21S	TP9C080C16MP13C	21.0	XAHC60G	1	775	28.4	19.1	17.00	25.35
AC19B36B21S	TP9C080C16MP13C	21.0	XAHC60G	2	1125	35.2	25.2	—	13.50
AC19B36B21S	TP9C080C16MP13C	21.0	XAHC60H	1	750	28.4	19.0	17.50	25.55
AC19B36B21S	TP9C080C16MP13C	21.0	XAHC60H	2	1100	35.6	25.4	—	14.00
AC19B36B21S	TP9C080C16MP13C	24.5	XAHD48F	1	875	28.6	19.8	16.75	24.40
AC19B36B21S	TP9C080C16MP13C	24.5	XAHD48F	2	1300	35.4	26.2	—	13.00
AC19B36B21S	TP9C080C16MP13C	21.0	XAHD60G	1	800	28.6	19.4	16.75	24.85
AC19B36B21S	TP9C080C16MP13C	21.0	XAHD60G	2	1225	35.4	26.2	—	13.25
AC19B36B21S	TP9C080C16MP13C	24.5	XAHD60H	1	800	28.8	19.7	17.25	25.10
AC19B36B21S	TP9C080C16MP13C	24.5	XAHD60H	2	1225	35.8	26.4	—	13.50
AC19B36B21S	TP9C100C16MP13C	21.0	CF/CM/CU48D	1	850	29.2	21.6	17.50	24.95
AC19B36B21S	TP9C100C16MP13C	21.0	CF/CM/CU48D	2	1250	35.8	29.0	17.50	13.75
AC19B36B21S	TP9C100C16MP13C	21.0	CF/CM/CU60D	1	800	28.4	20.6	17.00	24.40
AC19B36B21S	TP9C100C16MP13C	21.0	CF/CM/CU60D	2	1175	35.4	27.4	17.00	13.75
AC19B36B21S	TP9C100C16MP13C	21.0	CF/CM42D	1	900	29.6	22.4	17.50	24.95
AC19B36B21S	TP9C100C16MP13C	21.0	CF/CM42D	2	1300	35.8	29.2	17.50	13.75
AC19B36B21S	TP9C100C16MP13C	21.0	XAF/XAUC48F	1	875	28.6	19.8	17.00	24.75
AC19B36B21S	TP9C100C16MP13C	21.0	XAF/XAUC48F	2	1275	35.6	26.2	—	13.50
AC19B36B21S	TP9C100C16MP13C	21.0	XAF/XAUC60G	1	850	29.0	20.0	17.25	25.60
AC19B36B21S	TP9C100C16MP13C	21.0	XAF/XAUC60G	2	1225	35.6	26.2	—	13.75

SYSTEM CAPACITY - With High Efficiency Motor Furnaces¹ (Continued)

UNIT MODEL	FURNACE MODEL	WIDTH	COIL MODEL ²	STAGE	COOLING				
					RATED CFM	NET MBH		SEER	EER
						TOTAL	SENS.		
AC19B36B21S	TP9C100C16MP13C	24.5	XAF/XAUD60G	1	850	29.0	20.0	17.00	25.50
AC19B36B21S	TP9C100C16MP13C	24.5	XAF/XAUD60G	2	1225	35.6	26.0	—	13.50
AC19B36B21S	TP9C100C16MP13C	24.5	XAF/XAUD60H	1	850	29.0	20.2	17.50	25.40
AC19B36B21S	TP9C100C16MP13C	24.5	XAF/XAUD60H	2	1225	36.0	26.2	—	14.00
AC19B36B21S	TP9C100C16MP13C	21.0	XAFC36D	1	800	28.4	19.3	16.75	24.50
AC19B36B21S	TP9C100C16MP13C	21.0	XAFC36D	2	1175	35.2	25.4	—	13.50
AC19B36B21S	TP9C100C16MP13C	21.0	XAFC60H	1	850	29.2	20.2	17.50	25.75
AC19B36B21S	TP9C100C16MP13C	21.0	XAFC60H	2	1225	36.0	26.4	—	14.00
AC19B36B21S	TP9C100C16MP13C	24.5	XAFD48F	1	875	28.6	19.8	17.00	24.80
AC19B36B21S	TP9C100C16MP13C	24.5	XAFD48F	2	1275	35.6	26.0	—	13.50
AC19B36B21S	TP9C100C16MP13C	21.0	XAHC36D	1	700	27.6	18.1	16.75	23.90
AC19B36B21S	TP9C100C16MP13C	21.0	XAHC36D	2	1000	34.6	23.6	—	13.75
AC19B36B21S	TP9C100C16MP13C	21.0	XAHC48F	1	875	28.8	19.9	17.25	25.05
AC19B36B21S	TP9C100C16MP13C	21.0	XAHC48F	2	1275	35.6	26.2	—	13.50
AC19B36B21S	TP9C100C16MP13C	21.0	XAHC60G	1	800	28.6	19.4	17.50	25.70
AC19B36B21S	TP9C100C16MP13C	21.0	XAHC60G	2	1175	35.6	25.8	—	14.00
AC19B36B21S	TP9C100C16MP13C	21.0	XAHC60H	1	850	29.2	20.2	17.50	26.15
AC19B36B21S	TP9C100C16MP13C	21.0	XAHC60H	2	1250	36.0	26.6	—	14.00
AC19B36B21S	TP9C100C16MP13C	24.5	XAHD48F	1	875	28.6	19.8	17.00	24.75
AC19B36B21S	TP9C100C16MP13C	24.5	XAHD48F	2	1275	35.6	26.0	—	13.50
AC19B36B21S	TP9C100C16MP13C	21.0	XAHD60G	1	875	29.0	20.2	17.25	25.35
AC19B36B21S	TP9C100C16MP13C	21.0	XAHD60G	2	1275	35.6	26.6	—	13.75
AC19B36B21S	TP9C100C16MP13C	24.5	XAHD60H	1	850	29.0	20.2	17.50	25.60
AC19B36B21S	TP9C100C16MP13C	24.5	XAHD60H	2	1225	36.0	26.2	—	14.00
AC19B36B21S	TP9C100C20MP13C	21.0	CF/CM/CU48D	1	800	28.8	21.2	17.50	24.85
AC19B36B21S	TP9C100C20MP13C	21.0	CF/CM/CU48D	2	1275	35.8	28.6	17.50	13.75
AC19B36B21S	TP9C100C20MP13C	21.0	CF/CM/CU60D	1	800	28.6	20.8	17.25	24.60
AC19B36B21S	TP9C100C20MP13C	21.0	CF/CM/CU60D	2	1275	35.8	27.8	17.25	13.75
AC19B36B21S	TP9C100C20MP13C	21.0	CF/CM42D	1	825	29.0	21.6	17.50	24.90
AC19B36B21S	TP9C100C20MP13C	21.0	CF/CM42D	2	1350	35.8	29.6	17.50	13.50
AC19B36B21S	TP9C100C20MP13C	21.0	XAF/XAUC48F	1	800	28.2	19.0	16.75	24.80
AC19B36B21S	TP9C100C20MP13C	21.0	XAF/XAUC48F	2	1275	35.4	26.0	—	13.25
AC19B36B21S	TP9C100C20MP13C	21.0	XAF/XAUC60G	1	800	28.6	19.4	17.25	25.55
AC19B36B21S	TP9C100C20MP13C	21.0	XAF/XAUC60G	2	1275	35.6	26.6	—	13.50
AC19B36B21S	TP9C100C20MP13C	24.5	XAF/XAUD60G	1	800	28.6	19.4	17.25	25.45
AC19B36B21S	TP9C100C20MP13C	24.5	XAF/XAUD60G	2	1275	35.6	26.4	—	13.75
AC19B36B21S	TP9C100C20MP13C	24.5	XAF/XAUD60H	1	800	28.8	19.7	17.25	25.40
AC19B36B21S	TP9C100C20MP13C	24.5	XAF/XAUD60H	2	1275	36.0	26.6	—	13.75
AC19B36B21S	TP9C100C20MP13C	21.0	XAFC36D	1	800	28.4	19.2	17.00	24.70
AC19B36B21S	TP9C100C20MP13C	21.0	XAFC36D	2	1300	35.4	26.6	—	13.25
AC19B36B21S	TP9C100C20MP13C	21.0	XAFC60H	1	800	28.8	19.6	17.25	25.70
AC19B36B21S	TP9C100C20MP13C	21.0	XAFC60H	2	1275	36.0	26.8	—	13.75
AC19B36B21S	TP9C100C20MP13C	24.5	XAFD48F	1	800	28.2	19.0	16.75	24.80
AC19B36B21S	TP9C100C20MP13C	24.5	XAFD48F	2	1275	35.4	25.8	—	13.50
AC19B36B21S	TP9C100C20MP13C	21.0	XAHC36D	1	825	28.4	19.5	16.75	24.45
AC19B36B21S	TP9C100C20MP13C	21.0	XAHC36D	2	1350	35.4	27.0	—	13.00
AC19B36B21S	TP9C100C20MP13C	21.0	XAHC48F	1	800	28.2	19.0	17.00	25.05
AC19B36B21S	TP9C100C20MP13C	21.0	XAHC48F	2	1275	35.4	26.0	—	13.25
AC19B36B21S	TP9C100C20MP13C	21.0	XAHC60G	1	800	28.6	19.4	17.50	25.95
AC19B36B21S	TP9C100C20MP13C	21.0	XAHC60G	2	1275	35.6	26.6	—	13.75
AC19B36B21S	TP9C100C20MP13C	21.0	XAHC60H	1	800	28.8	19.6	17.50	26.20

SYSTEM CAPACITY - With High Efficiency Motor Furnaces¹ (Continued)

UNIT MODEL	FURNACE MODEL	WIDTH	COIL MODEL ²	STAGE	COOLING				
					RATED CFM	NET MBH		SEER	EER
						TOTAL	SENS.		
AC19B36B21S	TP9C100C20MP13C	21.0	XAHC60H	2	1275	36.0	26.8	—	13.75
AC19B36B21S	TP9C100C20MP13C	24.5	XAHD48F	1	800	28.2	19.0	16.75	24.75
AC19B36B21S	TP9C100C20MP13C	24.5	XAHD48F	2	1275	35.4	25.8	—	13.25
AC19B36B21S	TP9C100C20MP13C	21.0	XAHD60G	1	800	28.6	19.4	17.00	25.30
AC19B36B21S	TP9C100C20MP13C	21.0	XAHD60G	2	1275	35.6	26.6	—	13.50
AC19B36B21S	TP9C100C20MP13C	24.5	XAHD60H	1	800	28.8	19.6	17.25	25.55
AC19B36B21S	TP9C100C20MP13C	24.5	XAHD60H	2	1275	36.0	26.6	—	13.75
AC19B36B21S	TP9C120D20MP13C	24.5	XAF/XAUD60G	1	825	28.8	19.7	17.50	25.70
AC19B36B21S	TP9C120D20MP13C	24.5	XAF/XAUD60G	2	1250	35.8	26.4	—	14.00
AC19B36B21S	TP9C120D20MP13C	24.5	XAF/XAUD60H	1	900	29.4	20.8	17.50	25.85
AC19B36B21S	TP9C120D20MP13C	24.5	XAF/XAUD60H	2	1400	36.0	27.6	—	13.75
AC19B36B21S	TP9C120D20MP13C	24.5	XAFD48F	1	925	29.0	20.4	17.00	25.20
AC19B36B21S	TP9C120D20MP13C	24.5	XAFD48F	2	1425	36.0	27.4	—	13.25
AC19B36B21S	TP9C120D20MP13C	24.5	XAHD48F	1	925	29.0	20.4	17.00	25.15
AC19B36B21S	TP9C120D20MP13C	24.5	XAHD48F	2	1425	35.8	27.2	—	13.25
AC19B36B21S	TP9C120D20MP13C	21.0	XAHD60G	1	900	29.2	20.4	17.25	25.70
AC19B36B21S	TP9C120D20MP13C	21.0	XAHD60G	2	1400	36.0	27.4	—	13.75
AC19B36B21S	TP9C120D20MP13C	24.5	XAHD60H	1	825	29.0	19.9	17.50	25.85
AC19B36B21S	TP9C120D20MP13C	24.5	XAHD60H	2	1250	36.0	26.6	—	14.00
AC19B36B21S	TPLC060A12MP13C	14.5	CF/CM/CU36B	1	775	28.2	20.8	16.75	23.65
AC19B36B21S	TPLC060A12MP13C	14.5	CF/CM/CU36B	2	1150	34.6	27.4	16.75	13.00
AC19B36B21S	TPLC060A12MP13C	14.5	CF42B	1	725	28.2	19.9	16.75	23.85
AC19B36B21S	TPLC060A12MP13C	14.5	CF42B	2	1050	34.6	26.2	16.75	13.25
AC19B36B21S	TPLC060A12MP13C	17.5	XAF/XAUB36D	1	725	27.8	18.4	16.25	24.05
AC19B36B21S	TPLC060A12MP13C	17.5	XAF/XAUB36D	2	1050	34.6	24.0	—	13.25
AC19B36B21S	TPLC080B12MP13C	17.5	CF/CM/CU36B	1	675	27.6	19.2	16.50	23.05
AC19B36B21S	TPLC080B12MP13C	17.5	CF/CM/CU36B	2	1000	34.2	25.6	16.50	13.00
AC19B36B21S	TPLC080B12MP13C	17.5	CF/CM/CU42C	1	675	27.8	19.2	16.50	23.50
AC19B36B21S	TPLC080B12MP13C	17.5	CF/CM/CU42C	2	1000	34.4	25.6	16.50	13.25
AC19B36B21S	TPLC080B12MP13C	17.5	CF/CM/CU48C	1	675	27.6	19.4	16.75	23.40
AC19B36B21S	TPLC080B12MP13C	17.5	CF/CM/CU48C	2	1000	34.4	25.8	16.75	13.25
AC19B36B21S	TPLC080B12MP13C	17.5	CF42B	1	675	27.8	19.2	16.50	23.25
AC19B36B21S	TPLC080B12MP13C	17.5	CF42B	2	1000	34.4	25.4	16.50	13.25
AC19B36B21S	TPLC080B12MP13C	17.5	XAF/XAUB36D	1	675	27.0	17.6	16.25	23.15
AC19B36B21S	TPLC080B12MP13C	17.5	XAF/XAUB36D	2	1000	34.2	23.6	—	13.00
AC19B36B21S	TPLC080B12MP13C	21.0	XAF/XAUC48F	1	725	27.6	18.2	16.50	23.55
AC19B36B21S	TPLC080B12MP13C	21.0	XAF/XAUC48F	2	1125	34.6	24.6	—	12.75
AC19B36B21S	TPLC080B12MP13C	21.0	XAF/XAUC60G	1	725	28.0	18.5	16.50	24.25
AC19B36B21S	TPLC080B12MP13C	21.0	XAF/XAUC60G	2	1100	34.8	24.8	—	13.00
AC19B36B21S	TPLC080B12MP13C	21.0	XAFC36D	1	675	27.2	17.8	16.25	23.20
AC19B36B21S	TPLC080B12MP13C	21.0	XAFC36D	2	1000	34.2	23.6	—	13.00
AC19B36B21S	TPLC080B12MP13C	21.0	XAFC60H	1	725	28.0	18.7	16.50	24.40
AC19B36B21S	TPLC080B12MP13C	21.0	XAFC60H	2	1100	35.0	25.0	—	13.00
AC19B36B21S	TPLC080B12MP13C	21.0	XAHC36D	1	675	27.0	17.6	16.25	23.15
AC19B36B21S	TPLC080B12MP13C	21.0	XAHC36D	2	1000	34.2	23.6	—	13.00
AC19B36B21S	TPLC080B12MP13C	21.0	XAHC48F	1	725	27.6	18.2	16.50	23.85
AC19B36B21S	TPLC080B12MP13C	21.0	XAHC48F	2	1125	34.6	24.4	—	12.75
AC19B36B21S	TPLC080B12MP13C	21.0	XAHC60G	1	725	28.0	18.5	16.75	24.65
AC19B36B21S	TPLC080B12MP13C	21.0	XAHC60G	2	1100	34.8	24.8	—	13.25
AC19B36B21S	TPLC080B12MP13C	21.0	XAHC60H	1	725	28.2	18.8	17.00	24.90
AC19B36B21S	TPLC080B12MP13C	21.0	XAHC60H	2	1100	35.2	25.2	—	13.25

SYSTEM CAPACITY - With High Efficiency Motor Furnaces¹ (Continued)

UNIT MODEL	FURNACE MODEL	WIDTH	COIL MODEL ²	STAGE	COOLING				
					RATED CFM	NET MBH		SEER	EER
						TOTAL	SENS.		
AC19B36B21S	TPLC080C16MP13C	21.0	CF/CM/CU48D	1	825	29.0	21.6	17.50	24.80
AC19B36B21S	TPLC080C16MP13C	21.0	CF/CM/CU48D	2	1200	35.4	28.6	17.50	13.75
AC19B36B21S	TPLC080C16MP13C	21.0	CF/CM/CU60D	1	825	28.6	20.8	17.00	24.40
AC19B36B21S	TPLC080C16MP13C	21.0	CF/CM/CU60D	2	1200	35.6	27.0	17.00	13.75
AC19B36B21S	TPLC080C16MP13C	21.0	CF/CM42D	1	850	29.2	21.6	17.50	25.00
AC19B36B21S	TPLC080C16MP13C	21.0	CF/CM42D	2	1275	35.6	29.2	17.50	13.50
AC19B36B21S	TPLC080C16MP13C	21.0	XAF/XAUC48F	1	850	28.6	19.6	16.75	24.80
AC19B36B21S	TPLC080C16MP13C	21.0	XAF/XAUC48F	2	1275	35.4	26.0	—	13.25
AC19B36B21S	TPLC080C16MP13C	21.0	XAF/XAUC60G	1	725	28.2	18.6	17.25	25.10
AC19B36B21S	TPLC080C16MP13C	21.0	XAF/XAUC60G	2	1050	35.0	24.4	—	13.75
AC19B36B21S	TPLC080C16MP13C	24.5	XAF/XAUD60G	1	850	29.0	20.0	17.25	25.50
AC19B36B21S	TPLC080C16MP13C	24.5	XAF/XAUD60G	2	1275	35.6	26.4	—	13.50
AC19B36B21S	TPLC080C16MP13C	24.5	XAF/XAUD60H	1	850	29.0	20.2	17.25	25.50
AC19B36B21S	TPLC080C16MP13C	24.5	XAF/XAUD60H	2	1275	36.0	26.6	—	13.75
AC19B36B21S	TPLC080C16MP13C	21.0	XAFC36D	1	850	28.6	19.8	16.75	24.65
AC19B36B21S	TPLC080C16MP13C	21.0	XAFC36D	2	1275	35.4	26.4	—	13.25
AC19B36B21S	TPLC080C16MP13C	21.0	XAFC60H	1	850	29.0	20.2	17.25	25.75
AC19B36B21S	TPLC080C16MP13C	21.0	XAFC60H	2	1275	36.0	26.8	—	13.75
AC19B36B21S	TPLC080C16MP13C	24.5	XAFD48F	1	900	28.8	20.2	16.75	24.85
AC19B36B21S	TPLC080C16MP13C	24.5	XAFD48F	2	1425	35.8	27.2	—	13.00
AC19B36B21S	TPLC080C16MP13C	21.0	XAHC36D	1	850	28.6	19.8	16.75	24.50
AC19B36B21S	TPLC080C16MP13C	21.0	XAHC36D	2	1275	35.4	26.4	—	13.00
AC19B36B21S	TPLC080C16MP13C	21.0	XAHC48F	1	850	28.6	19.6	17.00	25.05
AC19B36B21S	TPLC080C16MP13C	21.0	XAHC48F	2	1275	35.4	26.0	—	13.25
AC19B36B21S	TPLC080C16MP13C	21.0	XAHC60G	1	800	28.6	19.4	17.50	25.75
AC19B36B21S	TPLC080C16MP13C	21.0	XAHC60G	2	1150	35.4	25.4	—	13.75
AC19B36B21S	TPLC080C16MP13C	21.0	XAHC60H	1	900	29.4	20.8	17.50	26.30
AC19B36B21S	TPLC080C16MP13C	21.0	XAHC60H	2	1375	36.0	27.6	—	13.50
AC19B36B21S	TPLC080C16MP13C	24.5	XAHD48F	1	850	28.6	19.6	16.75	24.75
AC19B36B21S	TPLC080C16MP13C	24.5	XAHD48F	2	1275	35.4	25.8	—	13.25
AC19B36B21S	TPLC080C16MP13C	21.0	XAHD60G	1	850	29.0	20.0	17.00	25.35
AC19B36B21S	TPLC080C16MP13C	21.0	XAHD60G	2	1275	35.6	26.6	—	13.50
AC19B36B21S	TPLC080C16MP13C	24.5	XAHD60H	1	850	29.0	20.2	17.25	25.65
AC19B36B21S	TPLC080C16MP13C	24.5	XAHD60H	2	1275	36.0	26.6	—	13.75
AC19B36B21S	TPLC100C16MP13C	21.0	CF/CM/CU48D	1	825	29.0	21.6	17.50	24.80
AC19B36B21S	TPLC100C16MP13C	21.0	CF/CM/CU48D	2	1200	35.4	28.6	17.50	13.75
AC19B36B21S	TPLC100C16MP13C	21.0	CF/CM/CU60D	1	825	28.6	20.8	17.00	24.40
AC19B36B21S	TPLC100C16MP13C	21.0	CF/CM/CU60D	2	1200	35.6	27.0	17.00	13.75
AC19B36B21S	TPLC100C16MP13C	21.0	CF/CM42D	1	850	29.2	21.6	17.50	25.00
AC19B36B21S	TPLC100C16MP13C	21.0	CF/CM42D	2	1275	35.6	29.2	17.50	13.50
AC19B36B21S	TPLC100C16MP13C	21.0	XAF/XAUC48F	1	850	28.6	19.6	16.75	24.80
AC19B36B21S	TPLC100C16MP13C	21.0	XAF/XAUC48F	2	1275	35.4	26.0	—	13.25
AC19B36B21S	TPLC100C16MP13C	21.0	XAF/XAUC60G	1	725	28.2	18.6	17.25	25.10
AC19B36B21S	TPLC100C16MP13C	21.0	XAF/XAUC60G	2	1050	35.0	24.4	—	13.75
AC19B36B21S	TPLC100C16MP13C	24.5	XAF/XAUD60G	1	850	29.0	20.0	17.25	25.50
AC19B36B21S	TPLC100C16MP13C	24.5	XAF/XAUD60G	2	1275	35.6	26.4	—	13.50
AC19B36B21S	TPLC100C16MP13C	24.5	XAF/XAUD60H	1	850	29.0	20.2	17.25	25.50
AC19B36B21S	TPLC100C16MP13C	24.5	XAF/XAUD60H	2	1275	36.0	26.6	—	13.75
AC19B36B21S	TPLC100C16MP13C	21.0	XAFC36D	1	850	28.6	19.8	16.75	24.65
AC19B36B21S	TPLC100C16MP13C	21.0	XAFC36D	2	1275	35.4	26.4	—	13.25
AC19B36B21S	TPLC100C16MP13C	21.0	XAFC60H	1	850	29.0	20.2	17.25	25.75

SYSTEM CAPACITY - With High Efficiency Motor Furnaces¹ (Continued)

UNIT MODEL	FURNACE MODEL	WIDTH	COIL MODEL ²	STAGE	COOLING				
					RATED CFM	NET MBH		SEER	EER
						TOTAL	SENS.		
AC19B36B21S	TPLC100C16MP13C	21.0	XAFC60H	2	1275	36.0	26.8	—	13.75
AC19B36B21S	TPLC100C16MP13C	24.5	XAFD48F	1	900	28.8	20.2	16.75	24.85
AC19B36B21S	TPLC100C16MP13C	24.5	XAFD48F	2	1425	35.8	27.2	—	13.00
AC19B36B21S	TPLC100C16MP13C	21.0	XAHC36D	1	850	28.6	19.8	16.75	24.50
AC19B36B21S	TPLC100C16MP13C	21.0	XAHC36D	2	1275	35.4	26.4	—	13.00
AC19B36B21S	TPLC100C16MP13C	21.0	XAHC48F	1	850	28.6	19.6	17.00	25.05
AC19B36B21S	TPLC100C16MP13C	21.0	XAHC48F	2	1275	35.4	26.0	—	13.25
AC19B36B21S	TPLC100C16MP13C	21.0	XAHC60G	1	800	28.6	19.4	17.50	25.75
AC19B36B21S	TPLC100C16MP13C	21.0	XAHC60G	2	1150	35.4	25.4	—	13.75
AC19B36B21S	TPLC100C16MP13C	21.0	XAHC60H	1	900	29.4	20.8	17.50	26.30
AC19B36B21S	TPLC100C16MP13C	21.0	XAHC60H	2	1375	36.0	27.6	—	13.50
AC19B36B21S	TPLC100C16MP13C	24.5	XAHD48F	1	850	28.6	19.6	16.75	24.75
AC19B36B21S	TPLC100C16MP13C	24.5	XAHD48F	2	1275	35.4	25.8	—	13.25
AC19B36B21S	TPLC100C16MP13C	21.0	XAHD60G	1	850	29.0	20.0	17.00	25.35
AC19B36B21S	TPLC100C16MP13C	21.0	XAHD60G	2	1275	35.6	26.6	—	13.50
AC19B36B21S	TPLC100C16MP13C	24.5	XAHD60H	1	850	29.0	20.2	17.25	25.65
AC19B36B21S	TPLC100C16MP13C	24.5	XAHD60H	2	1275	36.0	26.6	—	13.75
AC19B36B21S	TPLC100C20MP12C	21.0	CF/CM64D	1	925	30.0	23.0	18.25	26.20
AC19B36B21S	TPLC100C20MP12C	21.0	CF/CM64D	2	1375	36.0	29.4	18.25	14.25
AC19B36B21S	TPLC100C20MP13C	21.0	CF/CM/CU48D	1	925	29.6	22.8	17.75	25.40
AC19B36B21S	TPLC100C20MP13C	21.0	CF/CM/CU48D	2	1375	35.8	30.6	17.75	13.75
AC19B36B21S	TPLC100C20MP13C	21.0	CF/CM/CU60D	1	875	29.0	21.6	17.50	24.90
AC19B36B21S	TPLC100C20MP13C	21.0	CF/CM/CU60D	2	1225	35.8	27.4	17.50	14.00
AC19B36B21S	TPLC100C20MP13C	21.0	CF/CM42D	1	875	29.4	22.0	17.75	25.40
AC19B36B21S	TPLC100C20MP13C	21.0	CF/CM42D	2	1225	35.8	28.4	17.75	14.00
AC19B36B21S	TPLC100C20MP13C	21.0	CF/CM64D	1	925	30.0	23.0	18.25	26.20
AC19B36B21S	TPLC100C20MP13C	21.0	CF/CM64D	2	1375	36.0	29.4	18.25	14.25
AC19B36B21S	TPLC100C20MP13C	21.0	XAF/XAUC60G	1	925	29.4	20.8	17.50	26.15
AC19B36B21S	TPLC100C20MP13C	21.0	XAF/XAUC60G	2	1375	36.0	27.2	—	13.75
AC19B36B21S	TPLC100C20MP13C	21.0	XAFC60H	1	925	29.6	21.0	17.75	26.35
AC19B36B21S	TPLC100C20MP13C	21.0	XAFC60H	2	1375	36.0	27.4	—	14.00
AC19B36B21S	TPLC100C20MP13C	21.0	XAHC48F	1	925	29.0	20.4	17.25	25.60
AC19B36B21S	TPLC100C20MP13C	21.0	XAHC48F	2	1375	35.8	26.8	—	13.50
AC19B36B21S	TPLC100C20MP13C	21.0	XAHC60G	1	900	29.4	20.6	17.75	26.40
AC19B36B21S	TPLC100C20MP13C	21.0	XAHC60G	2	1325	36.0	26.8	—	14.00
AC19B36B21S	TPLC100C20MP13C	21.0	XAHC60H	1	925	29.6	21.0	18.00	26.75
AC19B36B21S	TPLC100C20MP13C	21.0	XAHC60H	2	1375	36.0	27.4	—	14.00
AC19B36B21S	TPLC120C20MP12C	21.0	CF/CM64D	1	925	30.0	23.0	18.25	26.20
AC19B36B21S	TPLC120C20MP12C	21.0	CF/CM64D	2	1375	36.0	29.4	18.25	14.25
AC19B36B21S	TPLC120C20MP13C	21.0	CF/CM/CU48D	1	925	29.6	22.8	17.75	25.40
AC19B36B21S	TPLC120C20MP13C	21.0	CF/CM/CU48D	2	1375	35.8	30.6	17.75	13.75
AC19B36B21S	TPLC120C20MP13C	21.0	CF/CM/CU60D	1	875	29.0	21.6	17.50	24.90
AC19B36B21S	TPLC120C20MP13C	21.0	CF/CM/CU60D	2	1225	35.8	27.4	17.50	14.00
AC19B36B21S	TPLC120C20MP13C	21.0	CF/CM42D	1	875	29.4	22.0	17.75	25.40
AC19B36B21S	TPLC120C20MP13C	21.0	CF/CM42D	2	1225	35.8	28.4	17.75	14.00
AC19B36B21S	TPLC120C20MP13C	21.0	CF/CM64D	1	925	30.0	23.0	18.25	26.20
AC19B36B21S	TPLC120C20MP13C	21.0	CF/CM64D	2	1375	36.0	29.4	18.25	14.25
AC19B36B21S	TPLC120C20MP13C	21.0	XAF/XAUC60G	1	925	29.4	20.8	17.50	26.15
AC19B36B21S	TPLC120C20MP13C	21.0	XAF/XAUC60G	2	1375	36.0	27.2	—	13.75
AC19B36B21S	TPLC120C20MP13C	21.0	XAFC60H	1	925	29.6	21.0	17.75	26.35
AC19B36B21S	TPLC120C20MP13C	21.0	XAFC60H	2	1375	36.0	27.4	—	14.00

SYSTEM CAPACITY - With High Efficiency Motor Furnaces¹ (Continued)

UNIT MODEL	FURNACE MODEL	WIDTH	COIL MODEL ²	STAGE	COOLING				
					RATED CFM	NET MBH		SEER	EER
						TOTAL	SENS.		
AC19B36B21S	TPLC120C20MP13C	21.0	XAHC48F	1	925	29.0	20.4	17.25	25.60
AC19B36B21S	TPLC120C20MP13C	21.0	XAHC48F	2	1375	35.8	26.8	—	13.50
AC19B36B21S	TPLC120C20MP13C	21.0	XAHC60G	1	900	29.4	20.6	17.75	26.40
AC19B36B21S	TPLC120C20MP13C	21.0	XAHC60G	2	1325	36.0	26.8	—	14.00
AC19B36B21S	TPLC120C20MP13C	21.0	XAHC60H	1	925	29.6	21.0	18.00	26.75
AC19B36B21S	TPLC120C20MP13C	21.0	XAHC60H	2	1375	36.0	27.4	—	14.00
AC19B36B21S	CP9C060B12MP13C	17.5	CF/CM/CU42C	1	700	28.0	19.5	16.75	23.70
AC19B36B21S	CP9C060B12MP13C	17.5	CF/CM/CU42C	2	1100	34.6	26.8	16.75	13.00
AC19B36B21S	CP9C060B12MP13C	17.5	CF/CM/CU48C	1	700	28.0	19.6	16.75	23.75
AC19B36B21S	CP9C060B12MP13C	17.5	CF/CM/CU48C	2	1100	34.6	27.0	16.75	13.00
AC19B36B21S	CP9C060B12MP13C	17.5	XAF/XAUB36D	1	700	27.4	18.0	16.25	23.50
AC19B36B21S	CP9C060B12MP13C	17.5	XAF/XAUB36D	2	1125	34.6	24.8	—	12.75
AC19B36B21S	CP9C060B12MP13C	21.0	XAF/XAUC48F	1	675	27.2	17.6	16.25	23.40
AC19B36B21S	CP9C060B12MP13C	21.0	XAF/XAUC48F	2	1100	34.6	24.2	—	13.00
AC19B36B21S	CP9C060B12MP13C	21.0	XAF/XAUC60G	1	700	27.8	18.2	16.50	24.40
AC19B36B21S	CP9C060B12MP13C	21.0	XAF/XAUC60G	2	1100	34.8	24.8	—	13.25
AC19B36B21S	CP9C060B12MP13C	21.0	XAFC36D	1	700	27.4	18.0	16.25	23.55
AC19B36B21S	CP9C060B12MP13C	21.0	XAFC36D	2	1100	34.6	24.6	—	12.75
AC19B36B21S	CP9C060B12MP13C	21.0	XAFC60H	1	650	27.4	17.8	16.50	24.15
AC19B36B21S	CP9C060B12MP13C	21.0	XAFC60H	2	1000	34.8	24.0	—	13.50
AC19B36B21S	CP9C060B12MP13C	17.5	XAHB36D	1	650	27.2	17.5	15.75	23.20
AC19B36B21S	CP9C060B12MP13C	17.5	XAHB36D	2	1025	34.2	24.0	—	12.75
AC19B36B21S	CP9C060B12MP13C	21.0	XAHC36D	1	700	27.4	18.0	16.25	23.50
AC19B36B21S	CP9C060B12MP13C	21.0	XAHC36D	2	1125	34.6	24.8	—	12.75
AC19B36B21S	CP9C060B12MP13C	21.0	XAHC48F	1	675	27.2	17.6	16.50	23.70
AC19B36B21S	CP9C060B12MP13C	21.0	XAHC48F	2	1100	34.6	24.2	—	13.00
AC19B36B21S	CP9C060B12MP13C	21.0	XAHC60G	1	650	27.4	17.6	16.75	24.45
AC19B36B21S	CP9C060B12MP13C	21.0	XAHC60G	2	1000	34.6	23.8	—	13.50
AC19B36B21S	CP9C060B12MP13C	21.0	XAHC60H	1	650	27.4	17.7	17.00	24.60
AC19B36B21S	CP9C060B12MP13C	21.0	XAHC60H	2	1000	34.8	24.0	—	13.50
AC19B36B21S	CP9C080B12MP13C	17.5	CF/CM/CU42C	1	825	29.0	21.6	17.00	24.35
AC19B36B21S	CP9C080B12MP13C	17.5	CF/CM/CU42C	2	1250	35.2	28.6	17.00	13.00
AC19B36B21S	CP9C080B12MP13C	17.5	CF/CM/CU48C	1	750	28.4	20.4	17.00	24.00
AC19B36B21S	CP9C080B12MP13C	17.5	CF/CM/CU48C	2	1150	35.0	28.0	17.00	13.25
AC19B36B21S	CP9C080B12MP13C	17.5	XAF/XAUB36D	1	675	27.2	17.7	16.50	23.50
AC19B36B21S	CP9C080B12MP13C	17.5	XAF/XAUB36D	2	975	34.2	23.4	—	13.25
AC19B36B21S	CP9C080B12MP13C	21.0	XAF/XAUC48F	1	675	27.4	17.7	16.50	23.80
AC19B36B21S	CP9C080B12MP13C	21.0	XAF/XAUC48F	2	975	34.2	23.0	—	13.50
AC19B36B21S	CP9C080B12MP13C	21.0	XAF/XAUC60G	1	775	28.4	19.1	17.00	24.95
AC19B36B21S	CP9C080B12MP13C	21.0	XAF/XAUC60G	2	1175	35.2	25.6	—	13.50
AC19B36B21S	CP9C080B12MP13C	21.0	XAFC36D	1	675	27.2	17.7	16.50	23.55
AC19B36B21S	CP9C080B12MP13C	21.0	XAFC36D	2	975	34.4	23.4	—	13.50
AC19B36B21S	CP9C080B12MP13C	21.0	XAFC60H	1	825	28.8	19.9	17.00	25.15
AC19B36B21S	CP9C080B12MP13C	21.0	XAFC60H	2	1250	35.8	26.6	—	13.25
AC19B36B21S	CP9C080B12MP13C	17.5	XAHB36D	1	675	27.2	17.7	16.25	23.25
AC19B36B21S	CP9C080B12MP13C	17.5	XAHB36D	2	975	34.2	23.4	—	13.25
AC19B36B21S	CP9C080B12MP13C	21.0	XAHC36D	1	675	27.2	17.7	16.50	23.45
AC19B36B21S	CP9C080B12MP13C	21.0	XAHC36D	2	975	34.2	23.2	—	13.25
AC19B36B21S	CP9C080B12MP13C	21.0	XAHC48F	1	725	27.6	18.2	16.50	24.25
AC19B36B21S	CP9C080B12MP13C	21.0	XAHC48F	2	1075	34.6	24.0	—	13.25
AC19B36B21S	CP9C080B12MP13C	21.0	XAHC60G	1	750	28.2	18.8	17.25	25.10

SYSTEM CAPACITY - With High Efficiency Motor Furnaces¹ (Continued)

UNIT MODEL	FURNACE MODEL	WIDTH	COIL MODEL ²	STAGE	COOLING				
					RATED CFM	NET MBH		SEER	EER
						TOTAL	SENS.		
AC19B36B21S	CP9C080B12MP13C	21.0	XAHC60G	2	1150	35.2	25.4	—	13.50
AC19B36B21S	CP9C080B12MP13C	21.0	XAHC60H	1	700	28.0	18.4	17.25	25.15
AC19B36B21S	CP9C080B12MP13C	21.0	XAHC60H	2	1050	35.2	24.6	—	13.75
AC19B36B21S	CP9C080C16MP13C	21.0	CF/CM/CU36C	1	750	28.2	20.6	17.00	24.05
AC19B36B21S	CP9C080C16MP13C	21.0	CF/CM/CU36C	2	1125	35.0	27.0	17.00	13.75
AC19B36B21S	CP9C080C16MP13C	21.0	CF/CM/CU42C	1	875	29.2	21.8	17.25	24.75
AC19B36B21S	CP9C080C16MP13C	21.0	CF/CM/CU42C	2	1300	35.8	29.0	17.25	13.50
AC19B36B21S	CP9C080C16MP13C	21.0	CF/CM/CU48C	1	800	28.6	21.0	17.25	24.55
AC19B36B21S	CP9C080C16MP13C	21.0	CF/CM/CU48C	2	1225	35.6	28.6	17.25	13.50
AC19B36B21S	CP9C080C16MP13C	21.0	CF/CM/CU48D	1	800	28.6	21.0	17.25	24.60
AC19B36B21S	CP9C080C16MP13C	21.0	CF/CM/CU48D	2	1225	35.6	28.6	17.25	13.50
AC19B36B21S	CP9C080C16MP13C	21.0	CF/CM/CU60C	1	875	28.8	21.4	17.00	24.30
AC19B36B21S	CP9C080C16MP13C	21.0	CF/CM/CU60C	2	1300	35.8	28.0	17.00	13.50
AC19B36B21S	CP9C080C16MP13C	21.0	CF/CM/CU60D	1	875	28.8	21.4	17.00	24.45
AC19B36B21S	CP9C080C16MP13C	21.0	CF/CM/CU60D	2	1300	36.0	28.0	17.00	13.50
AC19B36B21S	CP9C080C16MP13C	21.0	CF/CM36D	1	750	28.2	20.6	17.00	24.10
AC19B36B21S	CP9C080C16MP13C	21.0	CF/CM36D	2	1125	35.0	27.0	17.00	13.50
AC19B36B21S	CP9C080C16MP13C	21.0	CF/CM42D	1	875	29.2	21.8	17.25	24.85
AC19B36B21S	CP9C080C16MP13C	21.0	CF/CM42D	2	1300	35.8	29.0	17.25	13.50
AC19B36B21S	CP9C080C16MP13C	21.0	CF/CM64D	1	875	29.6	22.2	17.75	25.35
AC19B36B21S	CP9C080C16MP13C	21.0	CF/CM64D	2	1300	36.0	29.0	17.75	13.75
AC19B36B21S	CP9C080C16MP13C	21.0	XAF/XAUC48F	1	875	28.6	19.8	16.75	24.45
AC19B36B21S	CP9C080C16MP13C	21.0	XAF/XAUC48F	2	1300	35.4	26.4	—	13.00
AC19B36B21S	CP9C080C16MP13C	21.0	XAF/XAUC60G	1	800	28.6	19.4	17.00	25.10
AC19B36B21S	CP9C080C16MP13C	21.0	XAF/XAUC60G	2	1225	35.4	26.2	—	13.50
AC19B36B21S	CP9C080C16MP13C	24.5	XAF/XAUD60G	1	875	29.0	20.2	17.00	25.15
AC19B36B21S	CP9C080C16MP13C	24.5	XAF/XAUD60G	2	1300	35.6	26.8	—	13.25
AC19B36B21S	CP9C080C16MP13C	24.5	XAF/XAUD60H	1	800	28.6	19.6	17.00	24.90
AC19B36B21S	CP9C080C16MP13C	24.5	XAF/XAUD60H	2	1225	35.8	26.4	—	13.50
AC19B36B21S	CP9C080C16MP13C	21.0	XAFC36D	1	800	28.4	19.3	16.75	24.25
AC19B36B21S	CP9C080C16MP13C	21.0	XAFC36D	2	1225	35.0	26.0	—	13.00
AC19B36B21S	CP9C080C16MP13C	21.0	XAFC60H	1	800	28.8	19.7	17.25	25.20
AC19B36B21S	CP9C080C16MP13C	21.0	XAFC60H	2	1225	35.8	26.6	—	13.50
AC19B36B21S	CP9C080C16MP13C	24.5	XAFD48F	1	875	28.6	19.8	16.75	24.45
AC19B36B21S	CP9C080C16MP13C	24.5	XAFD48F	2	1300	35.4	26.2	—	13.00
AC19B36B21S	CP9C080C16MP13C	21.0	XAHC36D	1	800	28.4	19.3	16.50	24.15
AC19B36B21S	CP9C080C16MP13C	21.0	XAHC36D	2	1225	35.0	26.0	—	13.00
AC19B36B21S	CP9C080C16MP13C	21.0	XAHC48F	1	875	28.6	19.8	16.75	24.70
AC19B36B21S	CP9C080C16MP13C	21.0	XAHC48F	2	1300	35.4	26.2	—	13.00
AC19B36B21S	CP9C080C16MP13C	21.0	XAHC60G	1	775	28.4	19.1	17.00	25.35
AC19B36B21S	CP9C080C16MP13C	21.0	XAHC60G	2	1125	35.2	25.2	—	13.50
AC19B36B21S	CP9C080C16MP13C	21.0	XAHC60H	1	750	28.4	19.0	17.50	25.55
AC19B36B21S	CP9C080C16MP13C	21.0	XAHC60H	2	1100	35.6	25.4	—	14.00
AC19B36B21S	CP9C080C16MP13C	24.5	XAHD48F	1	875	28.6	19.8	16.75	24.40
AC19B36B21S	CP9C080C16MP13C	24.5	XAHD48F	2	1300	35.4	26.2	—	13.00
AC19B36B21S	CP9C080C16MP13C	21.0	XAHD60G	1	800	28.6	19.4	16.75	24.85
AC19B36B21S	CP9C080C16MP13C	21.0	XAHD60G	2	1225	35.4	26.2	—	13.25
AC19B36B21S	CP9C080C16MP13C	24.5	XAHD60H	1	800	28.8	19.7	17.25	25.10
AC19B36B21S	CP9C080C16MP13C	24.5	XAHD60H	2	1225	35.8	26.4	—	13.50
AC19B36B21S	CP9C100C16MP13C	21.0	CF/CM/CU48D	1	850	29.2	21.6	17.50	24.95
AC19B36B21S	CP9C100C16MP13C	21.0	CF/CM/CU48D	2	1250	35.8	29.0	17.50	13.75

SYSTEM CAPACITY - With High Efficiency Motor Furnaces¹ (Continued)

UNIT MODEL	FURNACE MODEL	WIDTH	COIL MODEL ²	STAGE	COOLING				
					RATED CFM	NET MBH		SEER	EER
						TOTAL	SENS.		
AC19B36B21S	CP9C100C16MP13C	21.0	CF/CM/CU60D	1	800	28.4	20.6	17.00	24.40
AC19B36B21S	CP9C100C16MP13C	21.0	CF/CM/CU60D	2	1175	35.4	27.4	17.00	13.75
AC19B36B21S	CP9C100C16MP13C	21.0	CF/CM42D	1	900	29.6	22.4	17.50	24.95
AC19B36B21S	CP9C100C16MP13C	21.0	CF/CM42D	2	1300	35.8	29.2	17.50	13.75
AC19B36B21S	CP9C100C16MP13C	21.0	XAF/XAUC48F	1	875	28.6	19.8	17.00	24.75
AC19B36B21S	CP9C100C16MP13C	21.0	XAF/XAUC48F	2	1275	35.6	26.2	—	13.50
AC19B36B21S	CP9C100C16MP13C	21.0	XAF/XAUC60G	1	850	29.0	20.0	17.25	25.60
AC19B36B21S	CP9C100C16MP13C	21.0	XAF/XAUC60G	2	1225	35.6	26.2	—	13.75
AC19B36B21S	CP9C100C16MP13C	24.5	XAF/XAUD60G	1	850	29.0	20.0	17.00	25.50
AC19B36B21S	CP9C100C16MP13C	24.5	XAF/XAUD60G	2	1225	35.6	26.0	—	13.50
AC19B36B21S	CP9C100C16MP13C	24.5	XAF/XAUD60H	1	850	29.0	20.2	17.50	25.40
AC19B36B21S	CP9C100C16MP13C	24.5	XAF/XAUD60H	2	1225	36.0	26.2	—	14.00
AC19B36B21S	CP9C100C16MP13C	21.0	XAFC36D	1	800	28.4	19.3	16.75	24.50
AC19B36B21S	CP9C100C16MP13C	21.0	XAFC36D	2	1175	35.2	25.4	—	13.50
AC19B36B21S	CP9C100C16MP13C	21.0	XAFC60H	1	850	29.2	20.2	17.50	25.75
AC19B36B21S	CP9C100C16MP13C	21.0	XAFC60H	2	1225	36.0	26.4	—	14.00
AC19B36B21S	CP9C100C16MP13C	24.5	XAFD48F	1	875	28.6	19.8	17.00	24.80
AC19B36B21S	CP9C100C16MP13C	24.5	XAFD48F	2	1275	35.6	26.0	—	13.50
AC19B36B21S	CP9C100C16MP13C	21.0	XAHC36D	1	700	27.6	18.1	16.75	23.90
AC19B36B21S	CP9C100C16MP13C	21.0	XAHC36D	2	1000	34.6	23.6	—	13.75
AC19B36B21S	CP9C100C16MP13C	21.0	XAHC48F	1	875	28.8	19.9	17.25	25.05
AC19B36B21S	CP9C100C16MP13C	21.0	XAHC48F	2	1275	35.6	26.2	—	13.50
AC19B36B21S	CP9C100C16MP13C	21.0	XAHC60G	1	800	28.6	19.4	17.50	25.70
AC19B36B21S	CP9C100C16MP13C	21.0	XAHC60G	2	1175	35.6	25.8	—	14.00
AC19B36B21S	CP9C100C16MP13C	21.0	XAHC60H	1	850	29.2	20.2	17.50	26.15
AC19B36B21S	CP9C100C16MP13C	21.0	XAHC60H	2	1250	36.0	26.6	—	14.00
AC19B36B21S	CP9C100C16MP13C	24.5	XAHD48F	1	875	28.6	19.8	17.00	24.75
AC19B36B21S	CP9C100C16MP13C	24.5	XAHD48F	2	1275	35.6	26.0	—	13.50
AC19B36B21S	CP9C100C16MP13C	21.0	XAHD60G	1	875	29.0	20.2	17.25	25.35
AC19B36B21S	CP9C100C16MP13C	21.0	XAHD60G	2	1275	35.6	26.6	—	13.75
AC19B36B21S	CP9C100C16MP13C	24.5	XAHD60H	1	850	29.0	20.2	17.50	25.60
AC19B36B21S	CP9C100C16MP13C	24.5	XAHD60H	2	1225	36.0	26.2	—	14.00
AC19B36B21S	CP9C100C20MP13C	21.0	CF/CM/CU48D	1	800	28.8	21.2	17.50	24.85
AC19B36B21S	CP9C100C20MP13C	21.0	CF/CM/CU48D	2	1275	35.8	28.6	17.50	13.75
AC19B36B21S	CP9C100C20MP13C	21.0	CF/CM/CU60D	1	800	28.6	20.8	17.25	24.60
AC19B36B21S	CP9C100C20MP13C	21.0	CF/CM/CU60D	2	1275	35.8	27.8	17.25	13.75
AC19B36B21S	CP9C100C20MP13C	21.0	CF/CM42D	1	825	29.0	21.6	17.50	24.90
AC19B36B21S	CP9C100C20MP13C	21.0	CF/CM42D	2	1350	35.8	29.6	17.50	13.50
AC19B36B21S	CP9C100C20MP13C	21.0	XAF/XAUC48F	1	800	28.2	19.0	16.75	24.80
AC19B36B21S	CP9C100C20MP13C	21.0	XAF/XAUC48F	2	1275	35.4	26.0	—	13.25
AC19B36B21S	CP9C100C20MP13C	21.0	XAF/XAUC60G	1	800	28.6	19.4	17.25	25.55
AC19B36B21S	CP9C100C20MP13C	21.0	XAF/XAUC60G	2	1275	35.6	26.6	—	13.50
AC19B36B21S	CP9C100C20MP13C	24.5	XAF/XAUD60G	1	800	28.6	19.4	17.25	25.45
AC19B36B21S	CP9C100C20MP13C	24.5	XAF/XAUD60G	2	1275	35.6	26.4	—	13.75
AC19B36B21S	CP9C100C20MP13C	24.5	XAF/XAUD60H	1	800	28.8	19.7	17.25	25.40
AC19B36B21S	CP9C100C20MP13C	24.5	XAF/XAUD60H	2	1275	36.0	26.6	—	13.75
AC19B36B21S	CP9C100C20MP13C	21.0	XAFC36D	1	800	28.4	19.2	17.00	24.70
AC19B36B21S	CP9C100C20MP13C	21.0	XAFC36D	2	1300	35.4	26.6	—	13.25
AC19B36B21S	CP9C100C20MP13C	21.0	XAFC60H	1	800	28.8	19.6	17.25	25.70
AC19B36B21S	CP9C100C20MP13C	21.0	XAFC60H	2	1275	36.0	26.8	—	13.75
AC19B36B21S	CP9C100C20MP13C	24.5	XAFD48F	1	800	28.2	19.0	16.75	24.80

SYSTEM CAPACITY - With High Efficiency Motor Furnaces¹ (Continued)

UNIT MODEL	FURNACE MODEL	WIDTH	COIL MODEL ²	STAGE	COOLING				
					RATED CFM	NET MBH		SEER	EER
						TOTAL	SENS.		
AC19B36B21S	CP9C100C20MP13C	24.5	XAFD48F	2	1275	35.4	25.8	—	13.50
AC19B36B21S	CP9C100C20MP13C	21.0	XAHC36D	1	825	28.4	19.5	16.75	24.45
AC19B36B21S	CP9C100C20MP13C	21.0	XAHC36D	2	1350	35.4	27.0	—	13.00
AC19B36B21S	CP9C100C20MP13C	21.0	XAHC48F	1	800	28.2	19.0	17.00	25.05
AC19B36B21S	CP9C100C20MP13C	21.0	XAHC48F	2	1275	35.4	26.0	—	13.25
AC19B36B21S	CP9C100C20MP13C	21.0	XAHC60G	1	800	28.6	19.4	17.50	25.95
AC19B36B21S	CP9C100C20MP13C	21.0	XAHC60G	2	1275	35.6	26.6	—	13.75
AC19B36B21S	CP9C100C20MP13C	21.0	XAHC60H	1	800	28.8	19.6	17.50	26.20
AC19B36B21S	CP9C100C20MP13C	21.0	XAHC60H	2	1275	36.0	26.8	—	13.75
AC19B36B21S	CP9C100C20MP13C	24.5	XAHD48F	1	800	28.2	19.0	16.75	24.75
AC19B36B21S	CP9C100C20MP13C	24.5	XAHD48F	2	1275	35.4	25.8	—	13.25
AC19B36B21S	CP9C100C20MP13C	21.0	XAHD60G	1	800	28.6	19.4	17.00	25.30
AC19B36B21S	CP9C100C20MP13C	21.0	XAHD60G	2	1275	35.6	26.6	—	13.50
AC19B36B21S	CP9C100C20MP13C	24.5	XAHD60H	1	800	28.8	19.6	17.25	25.55
AC19B36B21S	CP9C100C20MP13C	24.5	XAHD60H	2	1275	36.0	26.6	—	13.75
AC19B36B21S	CP9C120D20MP13C	24.5	XAF/XAUD60G	1	825	28.8	19.7	17.50	25.70
AC19B36B21S	CP9C120D20MP13C	24.5	XAF/XAUD60G	2	1250	35.8	26.4	—	14.00
AC19B36B21S	CP9C120D20MP13C	24.5	XAF/XAUD60H	1	900	29.4	20.8	17.50	25.85
AC19B36B21S	CP9C120D20MP13C	24.5	XAF/XAUD60H	2	1400	36.0	27.6	—	13.75
AC19B36B21S	CP9C120D20MP13C	24.5	XAFD48F	1	925	29.0	20.4	17.00	25.20
AC19B36B21S	CP9C120D20MP13C	24.5	XAFD48F	2	1425	36.0	27.4	—	13.25
AC19B36B21S	CP9C120D20MP13C	24.5	XAHD48F	1	925	29.0	20.4	17.00	25.15
AC19B36B21S	CP9C120D20MP13C	24.5	XAHD48F	2	1425	35.8	27.2	—	13.25
AC19B36B21S	CP9C120D20MP13C	21.0	XAHD60G	1	900	29.2	20.4	17.25	25.70
AC19B36B21S	CP9C120D20MP13C	21.0	XAHD60G	2	1400	36.0	27.4	—	13.75
AC19B36B21S	CP9C120D20MP13C	24.5	XAHD60H	1	825	29.0	19.9	17.50	25.85
AC19B36B21S	CP9C120D20MP13C	24.5	XAHD60H	2	1250	36.0	26.6	—	14.00
AC19B36B21S	CPLC060A12MP13C	14.5	CF/CM/CU36B	1	775	28.2	20.8	16.75	23.65
AC19B36B21S	CPLC060A12MP13C	14.5	CF/CM/CU36B	2	1150	34.6	27.4	16.75	13.00
AC19B36B21S	CPLC060A12MP13C	14.5	CF42B	1	725	28.2	19.9	16.75	23.85
AC19B36B21S	CPLC060A12MP13C	14.5	CF42B	2	1050	34.6	26.2	16.75	13.25
AC19B36B21S	CPLC060A12MP13C	17.5	XAF/XAUB36D	1	725	27.8	18.4	16.25	24.05
AC19B36B21S	CPLC060A12MP13C	17.5	XAF/XAUB36D	2	1050	34.6	24.0	—	13.25
AC19B36B21S	CPLC080B12MP13C	17.5	CF/CM/CU36B	1	675	27.6	19.2	16.50	23.05
AC19B36B21S	CPLC080B12MP13C	17.5	CF/CM/CU36B	2	1000	34.2	25.6	16.50	13.00
AC19B36B21S	CPLC080B12MP13C	17.5	CF/CM/CU42C	1	675	27.8	19.2	16.50	23.50
AC19B36B21S	CPLC080B12MP13C	17.5	CF/CM/CU42C	2	1000	34.4	25.6	16.50	13.25
AC19B36B21S	CPLC080B12MP13C	17.5	CF/CM/CU48C	1	675	27.6	19.4	16.75	23.40
AC19B36B21S	CPLC080B12MP13C	17.5	CF/CM/CU48C	2	1000	34.4	25.8	16.75	13.25
AC19B36B21S	CPLC080B12MP13C	17.5	CF42B	1	675	27.8	19.2	16.50	23.25
AC19B36B21S	CPLC080B12MP13C	17.5	CF42B	2	1000	34.4	25.4	16.50	13.25
AC19B36B21S	CPLC080B12MP13C	17.5	XAF/XAUB36D	1	675	27.0	17.6	16.25	23.15
AC19B36B21S	CPLC080B12MP13C	17.5	XAF/XAUB36D	2	1000	34.2	23.6	—	13.00
AC19B36B21S	CPLC080B12MP13C	21.0	XAF/XAUC48F	1	725	27.6	18.2	16.50	23.55
AC19B36B21S	CPLC080B12MP13C	21.0	XAF/XAUC48F	2	1125	34.6	24.6	—	12.75
AC19B36B21S	CPLC080B12MP13C	21.0	XAF/XAUC60G	1	725	28.0	18.5	16.50	24.25
AC19B36B21S	CPLC080B12MP13C	21.0	XAF/XAUC60G	2	1100	34.8	24.8	—	13.00
AC19B36B21S	CPLC080B12MP13C	21.0	XAFC36D	1	675	27.2	17.8	16.25	23.20
AC19B36B21S	CPLC080B12MP13C	21.0	XAFC36D	2	1000	34.2	23.6	—	13.00
AC19B36B21S	CPLC080B12MP13C	21.0	XAFC60H	1	725	28.0	18.7	16.50	24.40
AC19B36B21S	CPLC080B12MP13C	21.0	XAFC60H	2	1100	35.0	25.0	—	13.00

SYSTEM CAPACITY - With High Efficiency Motor Furnaces¹ (Continued)

UNIT MODEL	FURNACE MODEL	WIDTH	COIL MODEL ²	STAGE	COOLING				
					RATED CFM	NET MBH		SEER	EER
						TOTAL	SENS.		
AC19B36B21S	CPLC080B12MP13C	21.0	XAHC36D	1	675	27.0	17.6	16.25	23.15
AC19B36B21S	CPLC080B12MP13C	21.0	XAHC36D	2	1000	34.2	23.6	—	13.00
AC19B36B21S	CPLC080B12MP13C	21.0	XAHC48F	1	725	27.6	18.2	16.50	23.85
AC19B36B21S	CPLC080B12MP13C	21.0	XAHC48F	2	1125	34.6	24.4	—	12.75
AC19B36B21S	CPLC080B12MP13C	21.0	XAHC60G	1	725	28.0	18.5	16.75	24.65
AC19B36B21S	CPLC080B12MP13C	21.0	XAHC60G	2	1100	34.8	24.8	—	13.25
AC19B36B21S	CPLC080B12MP13C	21.0	XAHC60H	1	725	28.2	18.8	17.00	24.90
AC19B36B21S	CPLC080B12MP13C	21.0	XAHC60H	2	1100	35.2	25.2	—	13.25
AC19B36B21S	CPLC080C16MP13C	21.0	CF/CM/CU48D	1	825	29.0	21.6	17.50	24.80
AC19B36B21S	CPLC080C16MP13C	21.0	CF/CM/CU48D	2	1200	35.4	28.6	17.50	13.75
AC19B36B21S	CPLC080C16MP13C	21.0	CF/CM/CU60D	1	825	28.6	20.8	17.00	24.40
AC19B36B21S	CPLC080C16MP13C	21.0	CF/CM/CU60D	2	1200	35.6	27.0	17.00	13.75
AC19B36B21S	CPLC080C16MP13C	21.0	CF/CM42D	1	850	29.2	21.6	17.50	25.00
AC19B36B21S	CPLC080C16MP13C	21.0	CF/CM42D	2	1275	35.6	29.2	17.50	13.50
AC19B36B21S	CPLC080C16MP13C	21.0	XAF/XAUC48F	1	850	28.6	19.6	16.75	24.80
AC19B36B21S	CPLC080C16MP13C	21.0	XAF/XAUC48F	2	1275	35.4	26.0	—	13.25
AC19B36B21S	CPLC080C16MP13C	21.0	XAF/XAUC60G	1	725	28.2	18.6	17.25	25.10
AC19B36B21S	CPLC080C16MP13C	21.0	XAF/XAUC60G	2	1050	35.0	24.4	—	13.75
AC19B36B21S	CPLC080C16MP13C	24.5	XAF/XAUD60G	1	850	29.0	20.0	17.25	25.50
AC19B36B21S	CPLC080C16MP13C	24.5	XAF/XAUD60G	2	1275	35.6	26.4	—	13.50
AC19B36B21S	CPLC080C16MP13C	24.5	XAF/XAUD60H	1	850	29.0	20.2	17.25	25.50
AC19B36B21S	CPLC080C16MP13C	24.5	XAF/XAUD60H	2	1275	36.0	26.6	—	13.75
AC19B36B21S	CPLC080C16MP13C	21.0	XAFC36D	1	850	28.6	19.8	16.75	24.65
AC19B36B21S	CPLC080C16MP13C	21.0	XAFC36D	2	1275	35.4	26.4	—	13.25
AC19B36B21S	CPLC080C16MP13C	21.0	XAFC60H	1	850	29.0	20.2	17.25	25.75
AC19B36B21S	CPLC080C16MP13C	21.0	XAFC60H	2	1275	36.0	26.8	—	13.75
AC19B36B21S	CPLC080C16MP13C	24.5	XAFD48F	1	900	28.8	20.2	16.75	24.85
AC19B36B21S	CPLC080C16MP13C	24.5	XAFD48F	2	1425	35.8	27.2	—	13.00
AC19B36B21S	CPLC080C16MP13C	21.0	XAHC36D	1	850	28.6	19.8	16.75	24.50
AC19B36B21S	CPLC080C16MP13C	21.0	XAHC36D	2	1275	35.4	26.4	—	13.00
AC19B36B21S	CPLC080C16MP13C	21.0	XAHC48F	1	850	28.6	19.6	17.00	25.05
AC19B36B21S	CPLC080C16MP13C	21.0	XAHC48F	2	1275	35.4	26.0	—	13.25
AC19B36B21S	CPLC080C16MP13C	21.0	XAHC60G	1	800	28.6	19.4	17.50	25.75
AC19B36B21S	CPLC080C16MP13C	21.0	XAHC60G	2	1150	35.4	25.4	—	13.75
AC19B36B21S	CPLC080C16MP13C	21.0	XAHC60H	1	900	29.4	20.8	17.50	26.30
AC19B36B21S	CPLC080C16MP13C	21.0	XAHC60H	2	1375	36.0	27.6	—	13.50
AC19B36B21S	CPLC080C16MP13C	24.5	XAHD48F	1	850	28.6	19.6	16.75	24.75
AC19B36B21S	CPLC080C16MP13C	24.5	XAHD48F	2	1275	35.4	25.8	—	13.25
AC19B36B21S	CPLC080C16MP13C	21.0	XAHD60G	1	850	29.0	20.0	17.00	25.35
AC19B36B21S	CPLC080C16MP13C	21.0	XAHD60G	2	1275	35.6	26.6	—	13.50
AC19B36B21S	CPLC080C16MP13C	24.5	XAHD60H	1	850	29.0	20.2	17.25	25.65
AC19B36B21S	CPLC080C16MP13C	24.5	XAHD60H	2	1275	36.0	26.6	—	13.75
AC19B36B21S	CPLC100C16MP13C	21.0	CF/CM/CU48D	1	825	29.0	21.6	17.50	24.80
AC19B36B21S	CPLC100C16MP13C	21.0	CF/CM/CU48D	2	1200	35.4	28.6	17.50	13.75
AC19B36B21S	CPLC100C16MP13C	21.0	CF/CM/CU60D	1	825	28.6	20.8	17.00	24.40
AC19B36B21S	CPLC100C16MP13C	21.0	CF/CM/CU60D	2	1200	35.6	27.0	17.00	13.75
AC19B36B21S	CPLC100C16MP13C	21.0	CF/CM42D	1	850	29.2	21.6	17.50	25.00
AC19B36B21S	CPLC100C16MP13C	21.0	CF/CM42D	2	1275	35.6	29.2	17.50	13.50
AC19B36B21S	CPLC100C16MP13C	21.0	XAF/XAUC48F	1	850	28.6	19.6	16.75	24.80
AC19B36B21S	CPLC100C16MP13C	21.0	XAF/XAUC48F	2	1275	35.4	26.0	—	13.25
AC19B36B21S	CPLC100C16MP13C	21.0	XAF/XAUC60G	1	725	28.2	18.6	17.25	25.10

SYSTEM CAPACITY - With High Efficiency Motor Furnaces¹ (Continued)

UNIT MODEL	FURNACE MODEL	WIDTH	COIL MODEL ²	STAGE	COOLING				
					RATED CFM	NET MBH		SEER	EER
						TOTAL	SENS.		
AC19B36B21S	CPLC100C16MP13C	21.0	XAF/XAUC60G	2	1050	35.0	24.4	—	13.75
AC19B36B21S	CPLC100C16MP13C	24.5	XAF/XAUD60G	1	850	29.0	20.0	17.25	25.50
AC19B36B21S	CPLC100C16MP13C	24.5	XAF/XAUD60G	2	1275	35.6	26.4	—	13.50
AC19B36B21S	CPLC100C16MP13C	24.5	XAF/XAUD60H	1	850	29.0	20.2	17.25	25.50
AC19B36B21S	CPLC100C16MP13C	24.5	XAF/XAUD60H	2	1275	36.0	26.6	—	13.75
AC19B36B21S	CPLC100C16MP13C	21.0	XAFC36D	1	850	28.6	19.8	16.75	24.65
AC19B36B21S	CPLC100C16MP13C	21.0	XAFC36D	2	1275	35.4	26.4	—	13.25
AC19B36B21S	CPLC100C16MP13C	21.0	XAFC60H	1	850	29.0	20.2	17.25	25.75
AC19B36B21S	CPLC100C16MP13C	21.0	XAFC60H	2	1275	36.0	26.8	—	13.75
AC19B36B21S	CPLC100C16MP13C	24.5	XAFD48F	1	900	28.8	20.2	16.75	24.85
AC19B36B21S	CPLC100C16MP13C	24.5	XAFD48F	2	1425	35.8	27.2	—	13.00
AC19B36B21S	CPLC100C16MP13C	21.0	XAHC36D	1	850	28.6	19.8	16.75	24.50
AC19B36B21S	CPLC100C16MP13C	21.0	XAHC36D	2	1275	35.4	26.4	—	13.00
AC19B36B21S	CPLC100C16MP13C	21.0	XAHC48F	1	850	28.6	19.6	17.00	25.05
AC19B36B21S	CPLC100C16MP13C	21.0	XAHC48F	2	1275	35.4	26.0	—	13.25
AC19B36B21S	CPLC100C16MP13C	21.0	XAHC60G	1	800	28.6	19.4	17.50	25.75
AC19B36B21S	CPLC100C16MP13C	21.0	XAHC60G	2	1150	35.4	25.4	—	13.75
AC19B36B21S	CPLC100C16MP13C	21.0	XAHC60H	1	900	29.4	20.8	17.50	26.30
AC19B36B21S	CPLC100C16MP13C	21.0	XAHC60H	2	1375	36.0	27.6	—	13.50
AC19B36B21S	CPLC100C16MP13C	24.5	XAHD48F	1	850	28.6	19.6	16.75	24.75
AC19B36B21S	CPLC100C16MP13C	24.5	XAHD48F	2	1275	35.4	25.8	—	13.25
AC19B36B21S	CPLC100C16MP13C	21.0	XAHD60G	1	850	29.0	20.0	17.00	25.35
AC19B36B21S	CPLC100C16MP13C	21.0	XAHD60G	2	1275	35.6	26.6	—	13.50
AC19B36B21S	CPLC100C16MP13C	24.5	XAHD60H	1	850	29.0	20.2	17.25	25.65
AC19B36B21S	CPLC100C16MP13C	24.5	XAHD60H	2	1275	36.0	26.6	—	13.75
AC19B36B21S	CPLC100C20MP12C	21.0	CF/CM64D	1	925	30.0	23.0	18.25	26.20
AC19B36B21S	CPLC100C20MP12C	21.0	CF/CM64D	2	1375	36.0	29.4	18.25	14.25
AC19B36B21S	CPLC100C20MP13C	21.0	CF/CM/CU48D	1	925	29.6	22.8	17.75	25.40
AC19B36B21S	CPLC100C20MP13C	21.0	CF/CM/CU48D	2	1375	35.8	30.6	17.75	13.75
AC19B36B21S	CPLC100C20MP13C	21.0	CF/CM/CU60D	1	875	29.0	21.6	17.50	24.90
AC19B36B21S	CPLC100C20MP13C	21.0	CF/CM/CU60D	2	1225	35.8	27.4	17.50	14.00
AC19B36B21S	CPLC100C20MP13C	21.0	CF/CM42D	1	875	29.4	22.0	17.75	25.40
AC19B36B21S	CPLC100C20MP13C	21.0	CF/CM42D	2	1225	35.8	28.4	17.75	14.00
AC19B36B21S	CPLC100C20MP13C	21.0	CF/CM64D	1	925	30.0	23.0	18.25	26.20
AC19B36B21S	CPLC100C20MP13C	21.0	CF/CM64D	2	1375	36.0	29.4	18.25	14.25
AC19B36B21S	CPLC100C20MP13C	21.0	XAF/XAUC60G	1	925	29.4	20.8	17.50	26.15
AC19B36B21S	CPLC100C20MP13C	21.0	XAF/XAUC60G	2	1375	36.0	27.2	—	13.75
AC19B36B21S	CPLC100C20MP13C	21.0	XAFC60H	1	925	29.6	21.0	17.75	26.35
AC19B36B21S	CPLC100C20MP13C	21.0	XAFC60H	2	1375	36.0	27.4	—	14.00
AC19B36B21S	CPLC100C20MP13C	21.0	XAHC48F	1	925	29.0	20.4	17.25	25.60
AC19B36B21S	CPLC100C20MP13C	21.0	XAHC48F	2	1375	35.8	26.8	—	13.50
AC19B36B21S	CPLC100C20MP13C	21.0	XAHC60G	1	900	29.4	20.6	17.75	26.40
AC19B36B21S	CPLC100C20MP13C	21.0	XAHC60G	2	1325	36.0	26.8	—	14.00
AC19B36B21S	CPLC100C20MP13C	21.0	XAHC60H	1	925	29.6	21.0	18.00	26.75
AC19B36B21S	CPLC100C20MP13C	21.0	XAHC60H	2	1375	36.0	27.4	—	14.00
AC19B36B21S	CPLC120C20MP12C	21.0	CF/CM64D	1	925	30.0	23.0	18.25	26.20
AC19B36B21S	CPLC120C20MP12C	21.0	CF/CM64D	2	1375	36.0	29.4	18.25	14.25
AC19B36B21S	CPLC120C20MP13C	21.0	CF/CM/CU48D	1	925	29.6	22.8	17.75	25.40
AC19B36B21S	CPLC120C20MP13C	21.0	CF/CM/CU48D	2	1375	35.8	30.6	17.75	13.75
AC19B36B21S	CPLC120C20MP13C	21.0	CF/CM/CU60D	1	875	29.0	21.6	17.50	24.90
AC19B36B21S	CPLC120C20MP13C	21.0	CF/CM/CU60D	2	1225	35.8	27.4	17.50	14.00

SYSTEM CAPACITY - With High Efficiency Motor Furnaces¹ (Continued)

UNIT MODEL	FURNACE MODEL	WIDTH	COIL MODEL ²	STAGE	COOLING				
					RATED CFM	NET MBH		SEER	EER
						TOTAL	SENS.		
AC19B36B21S	CPLC120C20MP13C	21.0	CF/CM42D	1	875	29.4	22.0	17.75	25.40
AC19B36B21S	CPLC120C20MP13C	21.0	CF/CM42D	2	1225	35.8	28.4	17.75	14.00
AC19B36B21S	CPLC120C20MP13C	21.0	CF/CM64D	1	925	30.0	23.0	18.25	26.20
AC19B36B21S	CPLC120C20MP13C	21.0	CF/CM64D	2	1375	36.0	29.4	18.25	14.25
AC19B36B21S	CPLC120C20MP13C	21.0	XAF/XAUC60G	1	925	29.4	20.8	17.50	26.15
AC19B36B21S	CPLC120C20MP13C	21.0	XAF/XAUC60G	2	1375	36.0	27.2	—	13.75
AC19B36B21S	CPLC120C20MP13C	21.0	XAFC60H	1	925	29.6	21.0	17.75	26.35
AC19B36B21S	CPLC120C20MP13C	21.0	XAFC60H	2	1375	36.0	27.4	—	14.00
AC19B36B21S	CPLC120C20MP13C	21.0	XAHC48F	1	925	29.0	20.4	17.25	25.60
AC19B36B21S	CPLC120C20MP13C	21.0	XAHC48F	2	1375	35.8	26.8	—	13.50
AC19B36B21S	CPLC120C20MP13C	21.0	XAHC60G	1	900	29.4	20.6	17.75	26.40
AC19B36B21S	CPLC120C20MP13C	21.0	XAHC60G	2	1325	36.0	26.8	—	14.00
AC19B36B21S	CPLC120C20MP13C	21.0	XAHC60H	1	925	29.6	21.0	18.00	26.75
AC19B36B21S	CPLC120C20MP13C	21.0	XAHC60H	2	1375	36.0	27.4	—	14.00
AC19B48B21S	TL8E060A12UH11	14.5	CF/CM/CU48C	1	925	39.0	26.8	16.75	24.10
AC19B48B21S	TL8E060A12UH11	14.5	CF/CM/CU48C	2	1225	47.0	33.0	16.75	12.75
AC19B48B21S	TL8E060A12UH11	14.5	CF/CM/CU60C	1	900	37.4	25.8	16.00	23.20
AC19B48B21S	TL8E060A12UH11	14.5	CF/CM/CU60C	2	1225	46.5	32.6	16.00	12.50
AC19B48B21S	TL8E080C16UH11	21.0	CF/CM/CU48C	1	1000	39.0	27.4	16.75	24.65
AC19B48B21S	TL8E080C16UH11	21.0	CF/CM/CU48C	2	1400	47.5	35.4	16.75	13.00
AC19B48B21S	TL8E080C16UH11	21.0	CF/CM/CU48D	1	1000	39.0	27.4	16.75	24.70
AC19B48B21S	TL8E080C16UH11	21.0	CF/CM/CU48D	2	1400	47.5	35.4	16.75	13.00
AC19B48B21S	TL8E080C16UH11	21.0	CF/CM/CU60C	1	1000	38.5	27.2	16.50	24.05
AC19B48B21S	TL8E080C16UH11	21.0	CF/CM/CU60C	2	1375	47.5	34.6	16.50	12.75
AC19B48B21S	TL8E080C16UH11	21.0	CF/CM/CU60D	1	1000	38.5	27.2	16.50	24.10
AC19B48B21S	TL8E080C16UH11	21.0	CF/CM/CU60D	2	1400	47.5	35.0	16.50	13.00
AC19B48B21S	TL8E080C16UH11	21.0	CF/CM64D	1	1000	39.5	27.8	17.00	24.90
AC19B48B21S	TL8E080C16UH11	21.0	CF/CM64D	2	1400	48.0	35.4	17.00	13.25
AC19B48B21S	TL8E080C16UH11	21.0	XAF/XAUC48F	1	950	39.0	24.6	16.75	24.15
AC19B48B21S	TL8E080C16UH11	21.0	XAF/XAUC48F	2	1350	46.5	31.6	—	12.75
AC19B48B21S	TL8E080C16UH11	21.0	XAF/XAUC60G	1	1000	40.0	25.6	16.75	25.05
AC19B48B21S	TL8E080C16UH11	21.0	XAF/XAUC60G	2	1550	47.0	33.6	—	12.50
AC19B48B21S	TL8E080C16UH11	24.5	XAF/XAUD60G	1	1000	40.0	25.6	16.50	25.00
AC19B48B21S	TL8E080C16UH11	24.5	XAF/XAUD60G	2	1550	47.0	33.4	—	12.50
AC19B48B21S	TL8E080C16UH11	24.5	XAF/XAUD60H	1	975	40.0	25.6	17.00	25.00
AC19B48B21S	TL8E080C16UH11	24.5	XAF/XAUD60H	2	1375	47.5	32.4	—	13.00
AC19B48B21S	TL8E080C16UH11	21.0	XAFC60H	1	975	40.0	25.6	17.50	25.05
AC19B48B21S	TL8E080C16UH11	21.0	XAFC60H	2	1375	47.5	32.8	—	13.00
AC19B48B21S	TL8E080C16UH11	24.5	XAFD48F	1	975	39.5	25.0	16.75	24.50
AC19B48B21S	TL8E080C16UH11	24.5	XAFD48F	2	1375	46.5	31.4	—	12.75
AC19B48B21S	TL8E080C16UH11	24.5	XAFD60J	1	1000	40.0	25.6	17.25	25.10
AC19B48B21S	TL8E080C16UH11	24.5	XAFD60J	2	1375	48.0	32.2	—	13.25
AC19B48B21S	TL8E080C16UH11	21.0	XAHC48F	1	975	39.5	25.0	16.75	24.55
AC19B48B21S	TL8E080C16UH11	21.0	XAHC48F	2	1375	46.5	31.6	—	12.75
AC19B48B21S	TL8E080C16UH11	21.0	XAHC60G	1	1000	40.5	25.8	16.50	25.15
AC19B48B21S	TL8E080C16UH11	21.0	XAHC60G	2	1400	47.0	32.6	—	12.75
AC19B48B21S	TL8E080C16UH11	21.0	XAHC60H	1	1025	40.5	26.4	17.50	25.35
AC19B48B21S	TL8E080C16UH11	21.0	XAHC60H	2	1400	47.5	33.0	—	13.00
AC19B48B21S	TL8E080C16UH11	24.5	XAHD48F	1	950	39.5	24.8	16.75	24.35
AC19B48B21S	TL8E080C16UH11	24.5	XAHD48F	2	1375	46.5	31.4	—	12.75
AC19B48B21S	TL8E080C16UH11	21.0	XAHD60G	1	1125	40.5	26.8	16.50	24.30

SYSTEM CAPACITY - With High Efficiency Motor Furnaces¹ (Continued)

UNIT MODEL	FURNACE MODEL	WIDTH	COIL MODEL ²	STAGE	COOLING				
					RATED CFM	NET MBH		SEER	EER
						TOTAL	SENS.		
AC19B48B21S	TL8E080C16UH11	21.0	XAHD60G	2	1375	46.5	32.4	—	13.00
AC19B48B21S	TL8E080C16UH11	24.5	XAHD60H	1	975	40.0	25.6	17.00	25.05
AC19B48B21S	TL8E080C16UH11	24.5	XAHD60H	2	1375	47.5	32.4	—	13.00
AC19B48B21S	TL8E080C16UH11	24.5	XAHD60J	1	1000	40.0	25.6	17.25	25.10
AC19B48B21S	TL8E080C16UH11	24.5	XAHD60J	2	1375	48.0	32.2	—	13.00
AC19B48B21S	TL8E100C20UH11	21.0	CF/CM/CU48C	1	1100	39.5	28.8	16.75	24.75
AC19B48B21S	TL8E100C20UH11	21.0	CF/CM/CU48C	2	1400	48.0	35.6	16.75	13.00
AC19B48B21S	TL8E100C20UH11	21.0	CF/CM/CU48D	1	1100	39.5	29.0	16.75	24.85
AC19B48B21S	TL8E100C20UH11	21.0	CF/CM/CU48D	2	1425	48.0	35.6	16.75	13.00
AC19B48B21S	TL8E100C20UH11	21.0	CF/CM/CU60C	1	1075	39.5	28.0	16.50	24.40
AC19B48B21S	TL8E100C20UH11	21.0	CF/CM/CU60C	2	1400	47.5	35.0	16.50	13.00
AC19B48B21S	TL8E100C20UH11	21.0	CF/CM/CU60D	1	1100	39.0	28.6	16.50	24.45
AC19B48B21S	TL8E100C20UH11	21.0	CF/CM/CU60D	2	1425	48.0	35.6	16.50	13.25
AC19B48B21S	TL8E100C20UH11	21.0	CF/CM64D	1	1100	40.0	29.4	17.25	25.05
AC19B48B21S	TL8E100C20UH11	21.0	CF/CM64D	2	1400	48.0	35.4	17.25	13.50
AC19B48B21S	TL8E100C20UH11	21.0	XAF/XAUC48F	1	1050	40.0	25.6	16.75	24.70
AC19B48B21S	TL8E100C20UH11	21.0	XAF/XAUC48F	2	1375	47.0	31.8	—	13.00
AC19B48B21S	TL8E100C20UH11	21.0	XAF/XAUC60G	1	1100	40.5	26.6	16.50	25.35
AC19B48B21S	TL8E100C20UH11	21.0	XAF/XAUC60G	2	1600	47.5	33.8	—	13.00
AC19B48B21S	TL8E100C20UH11	24.5	XAF/XAUD60G	1	1100	40.5	26.6	16.50	25.35
AC19B48B21S	TL8E100C20UH11	24.5	XAF/XAUD60G	2	1600	47.5	33.4	—	13.00
AC19B48B21S	TL8E100C20UH11	24.5	XAF/XAUD60H	1	1075	41.0	27.0	17.25	25.25
AC19B48B21S	TL8E100C20UH11	24.5	XAF/XAUD60H	2	1375	47.5	32.2	—	13.25
AC19B48B21S	TL8E100C20UH11	21.0	XAFC60H	1	1100	41.0	27.0	17.50	25.65
AC19B48B21S	TL8E100C20UH11	21.0	XAFC60H	2	1600	48.0	34.2	—	13.00
AC19B48B21S	TL8E100C20UH11	24.5	XAFD48F	1	1075	40.5	26.2	16.75	24.80
AC19B48B21S	TL8E100C20UH11	24.5	XAFD48F	2	1375	47.0	31.6	—	13.00
AC19B48B21S	TL8E100C20UH11	24.5	XAFD60J	1	1100	40.5	26.6	17.50	25.45
AC19B48B21S	TL8E100C20UH11	24.5	XAFD60J	2	1400	48.0	32.2	—	13.50
AC19B48B21S	TL8E100C20UH11	21.0	XAHC48F	1	1075	40.5	26.2	16.75	24.85
AC19B48B21S	TL8E100C20UH11	21.0	XAHC48F	2	1375	47.0	31.8	—	13.00
AC19B48B21S	TL8E100C20UH11	21.0	XAHC60G	1	1100	41.0	26.8	16.50	25.45
AC19B48B21S	TL8E100C20UH11	21.0	XAHC60G	2	1400	47.0	32.4	—	13.00
AC19B48B21S	TL8E100C20UH11	21.0	XAHC60H	1	1150	41.5	27.6	17.75	25.95
AC19B48B21S	TL8E100C20UH11	21.0	XAHC60H	2	1600	48.0	34.2	—	13.00
AC19B48B21S	TL8E100C20UH11	24.5	XAHD48F	1	1050	40.0	25.6	16.75	24.70
AC19B48B21S	TL8E100C20UH11	24.5	XAHD48F	2	1375	47.0	31.6	—	13.00
AC19B48B21S	TL8E100C20UH11	21.0	XAHD60G	1	1050	40.5	26.2	16.50	25.10
AC19B48B21S	TL8E100C20UH11	21.0	XAHD60G	2	1375	47.0	32.2	—	13.25
AC19B48B21S	TL8E100C20UH11	24.5	XAHD60H	1	1100	41.0	27.0	17.25	25.60
AC19B48B21S	TL8E100C20UH11	24.5	XAHD60H	2	1600	48.0	33.8	—	13.00
AC19B48B21S	TL8E100C20UH11	24.5	XAHD60J	1	1075	40.5	26.4	17.50	25.30
AC19B48B21S	TL8E100C20UH11	24.5	XAHD60J	2	1375	48.0	32.0	—	13.50
AC19B48B21S	TL9E080C16UH11	21.0	CF/CM/CU48C	1	950	39.0	27.2	16.50	24.45
AC19B48B21S	TL9E080C16UH11	21.0	CF/CM/CU48C	2	1400	47.5	35.2	16.50	12.75
AC19B48B21S	TL9E080C16UH11	21.0	CF/CM/CU48D	1	950	39.0	27.2	16.50	24.50
AC19B48B21S	TL9E080C16UH11	21.0	CF/CM/CU48D	2	1400	47.5	35.2	16.50	12.75
AC19B48B21S	TL9E080C16UH11	21.0	CF/CM/CU60C	1	925	37.8	26.0	16.25	23.70
AC19B48B21S	TL9E080C16UH11	21.0	CF/CM/CU60C	2	1400	47.0	34.6	16.25	12.50
AC19B48B21S	TL9E080C16UH11	21.0	CF/CM/CU60D	1	950	38.0	26.8	16.25	23.85
AC19B48B21S	TL9E080C16UH11	21.0	CF/CM/CU60D	2	1425	47.5	35.2	16.25	12.75

SYSTEM CAPACITY - With High Efficiency Motor Furnaces¹ (Continued)

UNIT MODEL	FURNACE MODEL	WIDTH	COIL MODEL ²	STAGE	COOLING				
					RATED CFM	NET MBH		SEER	EER
						TOTAL	SENS.		
AC19B48B21S	TL9E080C16UH11	21.0	CF/CM64D	1	950	39.0	27.4	17.00	24.70
AC19B48B21S	TL9E080C16UH11	21.0	CF/CM64D	2	1400	48.0	35.4	17.00	13.00
AC19B48B21S	TL9E080C16UH11	21.0	XAF/XAUC48F	1	925	39.0	24.4	16.50	24.30
AC19B48B21S	TL9E080C16UH11	21.0	XAF/XAUC48F	2	1375	46.5	31.8	—	12.50
AC19B48B21S	TL9E080C16UH11	21.0	XAF/XAUC60G	1	925	40.0	25.2	16.25	24.90
AC19B48B21S	TL9E080C16UH11	21.0	XAF/XAUC60G	2	1400	46.5	32.6	—	12.50
AC19B48B21S	TL9E080C16UH11	24.5	XAF/XAUD60G	1	925	40.0	25.2	16.25	24.85
AC19B48B21S	TL9E080C16UH11	24.5	XAF/XAUD60G	2	1400	46.5	32.4	—	12.50
AC19B48B21S	TL9E080C16UH11	24.5	XAF/XAUD60H	1	925	39.5	25.2	17.00	24.70
AC19B48B21S	TL9E080C16UH11	24.5	XAF/XAUD60H	2	1400	47.5	32.6	—	12.75
AC19B48B21S	TL9E080C16UH11	21.0	XAFC60H	1	925	39.5	25.0	17.25	24.80
AC19B48B21S	TL9E080C16UH11	21.0	XAFC60H	2	1400	47.5	33.0	—	13.00
AC19B48B21S	TL9E080C16UH11	24.5	XAFD48F	1	925	39.0	24.4	16.50	24.30
AC19B48B21S	TL9E080C16UH11	24.5	XAFD48F	2	1375	46.5	31.4	—	12.50
AC19B48B21S	TL9E080C16UH11	24.5	XAFD60J	1	950	39.5	25.0	17.25	24.95
AC19B48B21S	TL9E080C16UH11	24.5	XAFD60J	2	1400	48.0	32.4	—	13.00
AC19B48B21S	TL9E080C16UH11	21.0	XAHC48F	1	925	39.0	24.4	16.50	24.40
AC19B48B21S	TL9E080C16UH11	21.0	XAHC48F	2	1375	46.5	31.8	—	12.50
AC19B48B21S	TL9E080C16UH11	21.0	XAHC60G	1	950	40.0	25.2	16.25	25.10
AC19B48B21S	TL9E080C16UH11	21.0	XAHC60G	2	1400	46.5	32.6	—	12.50
AC19B48B21S	TL9E080C16UH11	21.0	XAHC60H	1	950	39.5	25.2	17.25	25.10
AC19B48B21S	TL9E080C16UH11	21.0	XAHC60H	2	1400	47.5	33.0	—	13.00
AC19B48B21S	TL9E080C16UH11	24.5	XAHD48F	1	925	39.0	24.4	16.50	24.30
AC19B48B21S	TL9E080C16UH11	24.5	XAHD48F	2	1375	46.5	31.4	—	12.50
AC19B48B21S	TL9E080C16UH11	21.0	XAHD60G	1	925	40.0	25.2	16.50	24.80
AC19B48B21S	TL9E080C16UH11	21.0	XAHD60G	2	1375	46.5	32.6	—	12.50
AC19B48B21S	TL9E080C16UH11	24.5	XAHD60H	1	925	39.5	25.2	17.00	24.75
AC19B48B21S	TL9E080C16UH11	24.5	XAHD60H	2	1400	47.5	32.6	—	13.00
AC19B48B21S	TL9E080C16UH11	24.5	XAHD60J	1	950	39.5	25.0	17.25	24.95
AC19B48B21S	TL9E080C16UH11	24.5	XAHD60J	2	1375	48.0	32.2	—	12.75
AC19B48B21S	TL9E100C20UH11	21.0	CF/CM/CU48C	1	1175	40.0	30.4	16.75	24.20
AC19B48B21S	TL9E100C20UH11	21.0	CF/CM/CU48C	2	1400	48.0	35.6	16.75	13.00
AC19B48B21S	TL9E100C20UH11	21.0	CF/CM/CU48D	1	1175	40.0	30.4	16.75	24.30
AC19B48B21S	TL9E100C20UH11	21.0	CF/CM/CU48D	2	1425	48.0	35.6	16.75	13.00
AC19B48B21S	TL9E100C20UH11	21.0	CF/CM/CU60C	1	1175	39.5	29.0	16.50	24.25
AC19B48B21S	TL9E100C20UH11	21.0	CF/CM/CU60C	2	1400	47.5	35.0	16.50	13.00
AC19B48B21S	TL9E100C20UH11	21.0	CF/CM/CU60D	1	1175	39.5	29.0	16.50	24.20
AC19B48B21S	TL9E100C20UH11	21.0	CF/CM/CU60D	2	1425	47.5	35.2	16.50	13.00
AC19B48B21S	TL9E100C20UH11	21.0	CF/CM64D	1	1175	40.5	30.2	17.00	24.75
AC19B48B21S	TL9E100C20UH11	21.0	CF/CM64D	2	1400	48.0	35.4	17.00	13.25
AC19B48B21S	TL9E100C20UH11	21.0	XAF/XAUC48F	1	1150	40.0	26.4	16.75	24.35
AC19B48B21S	TL9E100C20UH11	21.0	XAF/XAUC48F	2	1575	47.0	33.4	—	12.50
AC19B48B21S	TL9E100C20UH11	21.0	XAF/XAUC60G	1	1150	41.0	27.2	16.50	24.85
AC19B48B21S	TL9E100C20UH11	21.0	XAF/XAUC60G	2	1400	47.0	32.4	—	13.00
AC19B48B21S	TL9E100C20UH11	24.5	XAF/XAUD60G	1	1150	41.0	27.2	16.50	24.85
AC19B48B21S	TL9E100C20UH11	24.5	XAF/XAUD60G	2	1400	47.0	32.2	—	13.00
AC19B48B21S	TL9E100C20UH11	24.5	XAF/XAUD60H	1	1150	41.5	27.6	17.00	25.15
AC19B48B21S	TL9E100C20UH11	24.5	XAF/XAUD60H	2	1600	48.0	34.0	—	13.00
AC19B48B21S	TL9E100C20UH11	21.0	XAFC60H	1	1150	41.0	27.4	17.25	25.00
AC19B48B21S	TL9E100C20UH11	21.0	XAFC60H	2	1400	47.5	32.8	—	13.25
AC19B48B21S	TL9E100C20UH11	24.5	XAFD48F	1	1150	40.0	26.4	16.75	24.30

SYSTEM CAPACITY - With High Efficiency Motor Furnaces¹ (Continued)

UNIT MODEL	FURNACE MODEL	WIDTH	COIL MODEL ²	STAGE	COOLING				
					RATED CFM	NET MBH		SEER	EER
						TOTAL	SENS.		
AC19B48B21S	TL9E100C20UH11	24.5	XAFD48F	2	1400	47.0	31.6	—	13.00
AC19B48B21S	TL9E100C20UH11	24.5	XAFD60J	1	1175	41.0	27.4	17.50	25.20
AC19B48B21S	TL9E100C20UH11	24.5	XAFD60J	2	1600	48.0	33.8	—	13.00
AC19B48B21S	TL9E100C20UH11	21.0	XAHC48F	1	1150	40.5	26.6	16.75	24.40
AC19B48B21S	TL9E100C20UH11	21.0	XAHC48F	2	1375	47.0	32.0	—	12.75
AC19B48B21S	TL9E100C20UH11	21.0	XAHC60G	1	1175	41.0	27.2	16.50	25.00
AC19B48B21S	TL9E100C20UH11	21.0	XAHC60G	2	1400	47.0	32.4	—	13.00
AC19B48B21S	TL9E100C20UH11	21.0	XAHC60H	1	1200	41.5	28.0	17.50	25.35
AC19B48B21S	TL9E100C20UH11	21.0	XAHC60H	2	1600	48.0	34.2	—	13.00
AC19B48B21S	TL9E100C20UH11	24.5	XAHD48F	1	1150	40.0	26.4	16.75	24.35
AC19B48B21S	TL9E100C20UH11	24.5	XAHD48F	2	1575	47.0	33.0	—	12.50
AC19B48B21S	TL9E100C20UH11	21.0	XAHD60G	1	1125	41.0	27.0	16.50	24.65
AC19B48B21S	TL9E100C20UH11	21.0	XAHD60G	2	1375	47.0	32.4	—	13.00
AC19B48B21S	TL9E100C20UH11	24.5	XAHD60H	1	1175	41.5	27.8	17.00	25.30
AC19B48B21S	TL9E100C20UH11	24.5	XAHD60H	2	1600	48.0	34.0	—	13.00
AC19B48B21S	TL9E100C20UH11	24.5	XAHD60J	1	1175	41.0	27.4	17.50	25.15
AC19B48B21S	TL9E100C20UH11	24.5	XAHD60J	2	1575	48.0	33.8	—	13.00
AC19B48B21S	TM8E080B12MP11	17.5	CF/CM/CU48C	1	950	39.0	27.0	16.00	24.10
AC19B48B21S	TM8E080B12MP11	17.5	CF/CM/CU48C	2	1325	47.0	34.0	16.00	12.25
AC19B48B21S	TM8E080B12MP11	17.5	CF/CM/CU60C	1	950	38.0	26.4	16.00	23.60
AC19B48B21S	TM8E080B12MP11	17.5	CF/CM/CU60C	2	1325	47.0	33.8	16.00	12.25
AC19B48B21S	TM8E080C16MP11	21.0	CF/CM/CU48C	1	1025	39.5	28.0	16.50	24.80
AC19B48B21S	TM8E080C16MP11	21.0	CF/CM/CU48C	2	1575	46.5	34.4	16.50	12.25
AC19B48B21S	TM8E080C16MP11	21.0	CF/CM/CU48D	1	900	38.5	26.2	16.50	24.90
AC19B48B21S	TM8E080C16MP11	21.0	CF/CM/CU48D	2	1600	46.5	34.8	16.50	12.25
AC19B48B21S	TM8E080C16MP11	21.0	CF/CM/CU60C	1	1025	38.5	27.8	16.50	24.25
AC19B48B21S	TM8E080C16MP11	21.0	CF/CM/CU60C	2	1575	48.0	37.0	16.50	12.50
AC19B48B21S	TM8E080C16MP11	21.0	CF/CM/CU60D	1	900	37.6	26.0	16.50	24.20
AC19B48B21S	TM8E080C16MP11	21.0	CF/CM/CU60D	2	1600	48.0	37.0	16.50	12.50
AC19B48B21S	TM8E080C16MP11	21.0	CF/CM64D	1	1025	40.0	28.4	17.25	25.15
AC19B48B21S	TM8E080C16MP11	21.0	CF/CM64D	2	1575	48.0	37.2	17.25	13.00
AC19B48B21S	TM8E080C16MP11	21.0	XAF/XAUC48F	1	1000	39.5	25.2	16.50	24.45
AC19B48B21S	TM8E080C16MP11	21.0	XAF/XAUC48F	2	1550	47.0	33.2	—	12.25
AC19B48B21S	TM8E080C16MP11	21.0	XAF/XAUC60G	1	1025	40.0	25.8	16.50	25.15
AC19B48B21S	TM8E080C16MP11	21.0	XAF/XAUC60G	2	1575	47.0	33.8	—	12.50
AC19B48B21S	TM8E080C16MP11	24.5	XAF/XAUD60G	1	1000	40.0	25.6	16.50	25.05
AC19B48B21S	TM8E080C16MP11	24.5	XAF/XAUD60G	2	1575	47.0	33.4	—	12.50
AC19B48B21S	TM8E080C16MP11	24.5	XAF/XAUD60H	1	1000	40.0	25.8	17.25	25.10
AC19B48B21S	TM8E080C16MP11	24.5	XAF/XAUD60H	2	1575	48.0	33.8	—	12.75
AC19B48B21S	TM8E080C16MP11	21.0	XAFC60H	1	1025	40.5	26.4	17.50	25.30
AC19B48B21S	TM8E080C16MP11	21.0	XAFC60H	2	1575	48.0	34.2	—	12.75
AC19B48B21S	TM8E080C16MP11	24.5	XAFD48F	1	1000	39.5	25.2	16.50	24.50
AC19B48B21S	TM8E080C16MP11	24.5	XAFD48F	2	1575	47.0	33.0	—	12.25
AC19B48B21S	TM8E080C16MP11	24.5	XAFD60J	1	1025	40.5	26.0	17.50	25.30
AC19B48B21S	TM8E080C16MP11	24.5	XAFD60J	2	1575	48.0	33.8	—	12.75
AC19B48B21S	TM8E080C16MP11	21.0	XAHC48F	1	1025	39.5	25.4	16.50	24.65
AC19B48B21S	TM8E080C16MP11	21.0	XAHC48F	2	1550	47.0	33.2	—	12.25
AC19B48B21S	TM8E080C16MP11	21.0	XAHC60G	1	925	39.5	24.8	16.75	25.40
AC19B48B21S	TM8E080C16MP11	21.0	XAHC60G	2	1575	47.0	33.8	—	12.50
AC19B48B21S	TM8E080C16MP11	21.0	XAHC60H	1	1050	40.5	26.4	17.50	25.55
AC19B48B21S	TM8E080C16MP11	21.0	XAHC60H	2	1575	48.0	34.2	—	12.75

SYSTEM CAPACITY - With High Efficiency Motor Furnaces¹ (Continued)

UNIT MODEL	FURNACE MODEL	WIDTH	COIL MODEL ²	STAGE	COOLING				
					RATED CFM	NET MBH		SEER	EER
						TOTAL	SENS.		
AC19B48B21S	TM8E080C16MP11	24.5	XAHD48F	1	1000	39.5	25.2	16.50	24.45
AC19B48B21S	TM8E080C16MP11	24.5	XAHD48F	2	1575	47.0	33.0	—	12.25
AC19B48B21S	TM8E080C16MP11	21.0	XAHD60G	1	1000	40.0	25.6	16.50	24.95
AC19B48B21S	TM8E080C16MP11	21.0	XAHD60G	2	1550	47.0	33.8	—	12.50
AC19B48B21S	TM8E080C16MP11	24.5	XAHD60H	1	1000	40.0	25.8	17.25	25.15
AC19B48B21S	TM8E080C16MP11	24.5	XAHD60H	2	1575	48.0	33.8	—	12.75
AC19B48B21S	TM8E080C16MP11	24.5	XAHD60J	1	1025	40.5	26.0	17.50	25.30
AC19B48B21S	TM8E080C16MP11	24.5	XAHD60J	2	1550	48.0	33.6	—	12.75
AC19B48B21S	TM8E080C20MP11	21.0	CF/CM/CU48C	1	1275	40.5	31.6	16.50	24.15
AC19B48B21S	TM8E080C20MP11	21.0	CF/CM/CU48C	2	1550	46.5	34.2	16.50	12.50
AC19B48B21S	TM8E080C20MP11	21.0	CF/CM/CU48D	1	1300	40.5	31.4	16.50	24.25
AC19B48B21S	TM8E080C20MP11	21.0	CF/CM/CU48D	2	1575	47.0	34.6	16.50	12.50
AC19B48B21S	TM8E080C20MP11	21.0	CF/CM/CU60C	1	1275	40.0	30.4	16.25	23.80
AC19B48B21S	TM8E080C20MP11	21.0	CF/CM/CU60C	2	1550	48.0	36.8	16.25	12.75
AC19B48B21S	TM8E080C20MP11	21.0	CF/CM/CU60D	1	1300	39.5	30.4	16.50	23.70
AC19B48B21S	TM8E080C20MP11	21.0	CF/CM/CU60D	2	1575	48.0	37.0	16.50	13.00
AC19B48B21S	TM8E080C20MP11	21.0	CF/CM64D	1	1300	41.5	31.8	17.25	24.90
AC19B48B21S	TM8E080C20MP11	21.0	CF/CM64D	2	1575	48.0	37.2	17.25	13.25
AC19B48B21S	TM8E080C20MP11	21.0	XAF/XAUC48F	1	1275	41.0	27.8	16.50	24.20
AC19B48B21S	TM8E080C20MP11	21.0	XAF/XAUC48F	2	1725	47.5	34.6	—	12.25
AC19B48B21S	TM8E080C20MP11	21.0	XAF/XAUC60G	1	1250	41.5	28.2	16.50	24.50
AC19B48B21S	TM8E080C20MP11	21.0	XAF/XAUC60G	2	1450	47.5	32.8	—	13.00
AC19B48B21S	TM8E080C20MP11	24.5	XAF/XAUD60G	1	1250	41.5	28.2	16.50	24.50
AC19B48B21S	TM8E080C20MP11	24.5	XAF/XAUD60G	2	1450	47.5	32.4	—	13.00
AC19B48B21S	TM8E080C20MP11	24.5	XAF/XAUD60H	1	1275	41.5	28.6	17.25	24.70
AC19B48B21S	TM8E080C20MP11	24.5	XAF/XAUD60H	2	1550	48.0	33.4	—	13.25
AC19B48B21S	TM8E080C20MP11	21.0	XAFC60H	1	1275	41.5	28.6	17.25	24.75
AC19B48B21S	TM8E080C20MP11	21.0	XAFC60H	2	1550	48.0	33.8	—	13.25
AC19B48B21S	TM8E080C20MP11	24.5	XAFD48F	1	1275	40.5	27.4	16.50	24.05
AC19B48B21S	TM8E080C20MP11	24.5	XAFD48F	2	1550	47.0	32.8	—	12.50
AC19B48B21S	TM8E080C20MP11	24.5	XAFD60J	1	1300	41.5	28.6	17.25	24.95
AC19B48B21S	TM8E080C20MP11	24.5	XAFD60J	2	1750	48.0	35.0	—	12.75
AC19B48B21S	TM8E080C20MP11	21.0	XAHC48F	1	1275	41.0	27.6	16.50	24.35
AC19B48B21S	TM8E080C20MP11	21.0	XAHC48F	2	1700	47.5	34.4	—	12.25
AC19B48B21S	TM8E080C20MP11	21.0	XAHC60G	1	1300	41.5	28.4	16.25	24.70
AC19B48B21S	TM8E080C20MP11	21.0	XAHC60G	2	1550	47.5	33.4	—	12.75
AC19B48B21S	TM8E080C20MP11	21.0	XAHC60H	1	1300	41.5	28.8	17.25	24.90
AC19B48B21S	TM8E080C20MP11	21.0	XAHC60H	2	1550	48.0	33.8	—	13.25
AC19B48B21S	TM8E080C20MP11	24.5	XAHD48F	1	1275	41.0	27.6	16.50	24.20
AC19B48B21S	TM8E080C20MP11	24.5	XAHD48F	2	1725	47.5	34.2	—	12.25
AC19B48B21S	TM8E080C20MP11	21.0	XAHD60G	1	1250	41.5	28.2	16.50	24.45
AC19B48B21S	TM8E080C20MP11	21.0	XAHD60G	2	1525	47.5	33.4	—	13.00
AC19B48B21S	TM8E080C20MP11	24.5	XAHD60H	1	1275	41.5	28.6	17.25	24.75
AC19B48B21S	TM8E080C20MP11	24.5	XAHD60H	2	1550	48.0	33.4	—	13.25
AC19B48B21S	TM8E080C20MP11	24.5	XAHD60J	1	1275	41.5	28.6	17.25	24.75
AC19B48B21S	TM8E080C20MP11	24.5	XAHD60J	2	1525	48.0	33.2	—	13.00
AC19B48B21S	TM8E100C16MP11	21.0	CF/CM/CU48C	1	1000	39.0	27.4	16.50	24.65
AC19B48B21S	TM8E100C16MP11	21.0	CF/CM/CU48C	2	1575	46.5	34.4	16.50	12.25
AC19B48B21S	TM8E100C16MP11	21.0	CF/CM/CU48D	1	1025	39.5	28.0	16.50	24.85
AC19B48B21S	TM8E100C16MP11	21.0	CF/CM/CU48D	2	1600	46.5	34.8	16.50	12.25
AC19B48B21S	TM8E100C16MP11	21.0	CF/CM/CU60C	1	1000	38.5	27.2	16.50	24.25

SYSTEM CAPACITY - With High Efficiency Motor Furnaces¹ (Continued)

UNIT MODEL	FURNACE MODEL	WIDTH	COIL MODEL ²	STAGE	COOLING				
					RATED CFM	NET MBH		SEER	EER
						TOTAL	SENS.		
AC19B48B21S	TM8E100C16MP11	21.0	CF/CM/CU60C	2	1575	48.0	37.0	16.50	12.50
AC19B48B21S	TM8E100C16MP11	21.0	CF/CM/CU60D	1	1025	38.5	27.4	16.50	24.40
AC19B48B21S	TM8E100C16MP11	21.0	CF/CM/CU60D	2	1600	48.0	37.0	16.50	12.50
AC19B48B21S	TM8E100C16MP11	21.0	CF/CM64D	1	1000	39.5	27.8	17.00	25.10
AC19B48B21S	TM8E100C16MP11	21.0	CF/CM64D	2	1575	48.0	37.2	17.00	13.00
AC19B48B21S	TM8E100C16MP11	21.0	XAF/XAUC48F	1	975	39.0	24.8	16.50	24.40
AC19B48B21S	TM8E100C16MP11	21.0	XAF/XAUC48F	2	1550	47.0	33.2	—	12.25
AC19B48B21S	TM8E100C16MP11	21.0	XAF/XAUC60G	1	1000	40.0	25.6	16.50	25.10
AC19B48B21S	TM8E100C16MP11	21.0	XAF/XAUC60G	2	1575	47.0	33.8	—	12.50
AC19B48B21S	TM8E100C16MP11	24.5	XAF/XAUD60G	1	1000	40.0	25.6	16.50	25.10
AC19B48B21S	TM8E100C16MP11	24.5	XAF/XAUD60G	2	1575	47.0	33.4	—	12.50
AC19B48B21S	TM8E100C16MP11	24.5	XAF/XAUD60H	1	975	40.0	25.8	17.00	25.00
AC19B48B21S	TM8E100C16MP11	24.5	XAF/XAUD60H	2	1575	48.0	33.8	—	12.75
AC19B48B21S	TM8E100C16MP11	21.0	XAFC60H	1	1000	40.0	25.8	17.25	25.25
AC19B48B21S	TM8E100C16MP11	21.0	XAFC60H	2	1575	48.0	34.2	—	12.75
AC19B48B21S	TM8E100C16MP11	24.5	XAFD48F	1	975	39.0	24.8	16.50	24.40
AC19B48B21S	TM8E100C16MP11	24.5	XAFD48F	2	1575	47.0	33.0	—	12.25
AC19B48B21S	TM8E100C16MP11	24.5	XAFD60J	1	1025	40.5	26.0	17.50	25.40
AC19B48B21S	TM8E100C16MP11	24.5	XAFD60J	2	1575	48.0	33.8	—	12.75
AC19B48B21S	TM8E100C16MP11	21.0	XAHC48F	1	1000	39.5	25.2	16.50	24.55
AC19B48B21S	TM8E100C16MP11	21.0	XAHC48F	2	1550	47.0	33.2	—	12.25
AC19B48B21S	TM8E100C16MP11	21.0	XAHC60G	1	900	39.5	24.6	16.75	25.35
AC19B48B21S	TM8E100C16MP11	21.0	XAHC60G	2	1575	47.0	33.8	—	12.50
AC19B48B21S	TM8E100C16MP11	21.0	XAHC60H	1	1050	40.5	26.4	17.50	25.60
AC19B48B21S	TM8E100C16MP11	21.0	XAHC60H	2	1575	48.0	34.2	—	12.75
AC19B48B21S	TM8E100C16MP11	24.5	XAHD48F	1	975	39.0	24.8	16.50	24.40
AC19B48B21S	TM8E100C16MP11	24.5	XAHD48F	2	1550	47.0	33.0	—	12.25
AC19B48B21S	TM8E100C16MP11	21.0	XAHD60G	1	975	40.0	25.4	16.50	24.90
AC19B48B21S	TM8E100C16MP11	21.0	XAHD60G	2	1550	47.0	33.8	—	12.50
AC19B48B21S	TM8E100C16MP11	24.5	XAHD60H	1	1000	40.0	25.8	17.00	25.20
AC19B48B21S	TM8E100C16MP11	24.5	XAHD60H	2	1575	48.0	33.8	—	12.75
AC19B48B21S	TM8E100C16MP11	24.5	XAHD60J	1	1000	40.0	25.6	17.25	25.25
AC19B48B21S	TM8E100C16MP11	24.5	XAHD60J	2	1550	48.0	33.6	—	12.75
AC19B48B21S	TM8E100C20MP11	21.0	CF/CM/CU48C	1	1275	40.0	31.4	16.50	23.80
AC19B48B21S	TM8E100C20MP11	21.0	CF/CM/CU48C	2	1525	48.0	36.8	16.50	13.00
AC19B48B21S	TM8E100C20MP11	21.0	CF/CM/CU48D	1	1300	40.5	31.8	16.50	24.15
AC19B48B21S	TM8E100C20MP11	21.0	CF/CM/CU48D	2	1550	47.0	34.6	16.50	12.50
AC19B48B21S	TM8E100C20MP11	21.0	CF/CM/CU60C	1	1275	40.0	30.0	16.25	23.85
AC19B48B21S	TM8E100C20MP11	21.0	CF/CM/CU60C	2	1500	48.0	36.2	16.25	13.00
AC19B48B21S	TM8E100C20MP11	21.0	CF/CM/CU60D	1	1300	39.5	30.4	16.50	23.65
AC19B48B21S	TM8E100C20MP11	21.0	CF/CM/CU60D	2	1550	48.0	36.8	16.50	13.00
AC19B48B21S	TM8E100C20MP11	21.0	CF/CM64D	1	1275	41.5	31.4	17.00	24.75
AC19B48B21S	TM8E100C20MP11	21.0	CF/CM64D	2	1525	48.0	36.4	17.00	13.25
AC19B48B21S	TM8E100C20MP11	21.0	XAF/XAUC48F	1	1250	41.0	27.6	16.50	24.00
AC19B48B21S	TM8E100C20MP11	21.0	XAF/XAUC48F	2	1500	47.0	32.8	—	12.75
AC19B48B21S	TM8E100C20MP11	21.0	XAF/XAUC60G	1	1275	41.5	28.4	16.25	24.55
AC19B48B21S	TM8E100C20MP11	21.0	XAF/XAUC60G	2	1500	47.5	33.2	—	13.00
AC19B48B21S	TM8E100C20MP11	24.5	XAF/XAUD60G	1	1275	41.5	28.2	16.50	24.55
AC19B48B21S	TM8E100C20MP11	24.5	XAF/XAUD60G	2	1525	47.5	33.0	—	13.00
AC19B48B21S	TM8E100C20MP11	24.5	XAF/XAUD60H	1	1250	41.5	28.4	17.00	24.60
AC19B48B21S	TM8E100C20MP11	24.5	XAF/XAUD60H	2	1500	48.0	33.2	—	13.25

SYSTEM CAPACITY - With High Efficiency Motor Furnaces¹ (Continued)

UNIT MODEL	FURNACE MODEL	WIDTH	COIL MODEL ²	STAGE	COOLING				
					RATED CFM	NET MBH		SEER	EER
						TOTAL	SENS.		
AC19B48B21S	TM8E100C20MP11	21.0	XAFC60H	1	1275	41.5	28.6	17.25	24.70
AC19B48B21S	TM8E100C20MP11	21.0	XAFC60H	2	1525	48.0	34.6	—	13.25
AC19B48B21S	TM8E100C20MP11	24.5	XAFD48F	1	1250	41.0	27.6	16.50	24.05
AC19B48B21S	TM8E100C20MP11	24.5	XAFD48F	2	1500	47.0	32.4	—	12.50
AC19B48B21S	TM8E100C20MP11	24.5	XAFD60J	1	1275	41.5	28.6	17.25	24.70
AC19B48B21S	TM8E100C20MP11	24.5	XAFD60J	2	1500	48.0	33.0	—	13.25
AC19B48B21S	TM8E100C20MP11	21.0	XAHC48F	1	1250	41.0	27.6	16.50	24.05
AC19B48B21S	TM8E100C20MP11	21.0	XAHC48F	2	1500	47.0	32.8	—	12.75
AC19B48B21S	TM8E100C20MP11	21.0	XAHC60G	1	1275	41.5	28.2	16.25	24.60
AC19B48B21S	TM8E100C20MP11	21.0	XAHC60G	2	1525	47.5	33.2	—	13.00
AC19B48B21S	TM8E100C20MP11	21.0	XAHC60H	1	1300	41.5	28.8	17.25	24.90
AC19B48B21S	TM8E100C20MP11	21.0	XAHC60H	2	1525	48.0	33.6	—	13.25
AC19B48B21S	TM8E100C20MP11	24.5	XAHD48F	1	1250	41.0	27.6	16.50	24.05
AC19B48B21S	TM8E100C20MP11	24.5	XAHD48F	2	1500	47.0	32.4	—	12.50
AC19B48B21S	TM8E100C20MP11	21.0	XAHD60G	1	1225	41.0	27.8	16.50	24.30
AC19B48B21S	TM8E100C20MP11	21.0	XAHD60G	2	1400	47.0	32.4	—	13.00
AC19B48B21S	TM8E100C20MP11	24.5	XAHD60H	1	1250	41.5	28.4	17.00	24.65
AC19B48B21S	TM8E100C20MP11	24.5	XAHD60H	2	1500	48.0	33.2	—	13.25
AC19B48B21S	TM8E100C20MP11	24.5	XAHD60J	1	1250	41.5	28.4	17.25	24.65
AC19B48B21S	TM8E100C20MP11	24.5	XAHD60J	2	1500	48.0	33.0	—	13.25
AC19B48B21S	TM8E120C16MP11	21.0	CF/CM/CU48C	1	1025	39.5	28.0	16.50	24.85
AC19B48B21S	TM8E120C16MP11	21.0	CF/CM/CU48C	2	1575	47.0	34.6	16.50	12.25
AC19B48B21S	TM8E120C16MP11	21.0	CF/CM/CU48D	1	900	38.5	26.2	16.50	24.95
AC19B48B21S	TM8E120C16MP11	21.0	CF/CM/CU48D	2	1600	46.5	34.8	16.50	12.25
AC19B48B21S	TM8E120C16MP11	21.0	CF/CM/CU60C	1	1025	38.5	27.6	16.50	24.30
AC19B48B21S	TM8E120C16MP11	21.0	CF/CM/CU60C	2	1575	48.0	37.0	16.50	12.50
AC19B48B21S	TM8E120C16MP11	21.0	CF/CM/CU60D	1	1000	38.5	27.4	16.50	24.10
AC19B48B21S	TM8E120C16MP11	21.0	CF/CM/CU60D	2	1325	47.5	34.2	16.50	13.00
AC19B48B21S	TM8E120C16MP11	21.0	CF/CM64D	1	1025	40.0	28.4	17.25	25.25
AC19B48B21S	TM8E120C16MP11	21.0	CF/CM64D	2	1575	48.0	37.2	17.25	13.00
AC19B48B21S	TM8E120C16MP11	21.0	XAF/XAUC48F	1	1000	39.5	25.2	16.50	24.50
AC19B48B21S	TM8E120C16MP11	21.0	XAF/XAUC48F	2	1550	47.0	33.2	—	12.25
AC19B48B21S	TM8E120C16MP11	21.0	XAF/XAUC60G	1	1025	40.0	25.8	16.50	25.25
AC19B48B21S	TM8E120C16MP11	21.0	XAF/XAUC60G	2	1575	47.5	33.8	—	12.50
AC19B48B21S	TM8E120C16MP11	24.5	XAF/XAUD60G	1	1000	40.0	25.6	16.50	25.10
AC19B48B21S	TM8E120C16MP11	24.5	XAF/XAUD60G	2	1575	47.5	33.4	—	12.50
AC19B48B21S	TM8E120C16MP11	24.5	XAF/XAUD60H	1	1000	40.0	25.8	17.25	25.20
AC19B48B21S	TM8E120C16MP11	24.5	XAF/XAUD60H	2	1575	48.0	33.8	—	12.75
AC19B48B21S	TM8E120C16MP11	21.0	XAFC60H	1	1025	40.5	26.2	17.50	25.35
AC19B48B21S	TM8E120C16MP11	21.0	XAFC60H	2	1575	48.0	34.2	—	12.75
AC19B48B21S	TM8E120C16MP11	24.5	XAFD48F	1	1000	39.5	25.2	16.50	24.55
AC19B48B21S	TM8E120C16MP11	24.5	XAFD48F	2	1575	47.0	33.0	—	12.25
AC19B48B21S	TM8E120C16MP11	24.5	XAFD60J	1	1025	40.5	26.0	17.50	25.40
AC19B48B21S	TM8E120C16MP11	24.5	XAFD60J	2	1575	48.0	33.8	—	12.75
AC19B48B21S	TM8E120C16MP11	21.0	XAHC48F	1	1025	39.5	25.4	16.50	24.70
AC19B48B21S	TM8E120C16MP11	21.0	XAHC48F	2	1550	47.0	33.2	—	12.25
AC19B48B21S	TM8E120C16MP11	21.0	XAHC60G	1	1050	40.5	26.2	16.50	25.45
AC19B48B21S	TM8E120C16MP11	21.0	XAHC60G	2	1575	47.5	33.8	—	12.50
AC19B48B21S	TM8E120C16MP11	21.0	XAHC60H	1	1050	40.5	26.4	17.50	25.60
AC19B48B21S	TM8E120C16MP11	21.0	XAHC60H	2	1575	48.0	34.2	—	12.75
AC19B48B21S	TM8E120C16MP11	24.5	XAHD48F	1	1000	39.5	25.2	16.50	24.50

SYSTEM CAPACITY - With High Efficiency Motor Furnaces¹ (Continued)

UNIT MODEL	FURNACE MODEL	WIDTH	COIL MODEL ²	STAGE	COOLING				
					RATED CFM	NET MBH		SEER	EER
						TOTAL	SENS.		
AC19B48B21S	TM8E120C16MP11	24.5	XAHD48F	2	1575	47.0	33.0	—	12.25
AC19B48B21S	TM8E120C16MP11	21.0	XAHD60G	1	1000	40.0	25.6	16.50	25.05
AC19B48B21S	TM8E120C16MP11	21.0	XAHD60G	2	1575	47.0	33.8	—	12.50
AC19B48B21S	TM8E120C16MP11	24.5	XAHD60H	1	1000	40.0	25.8	17.25	25.20
AC19B48B21S	TM8E120C16MP11	24.5	XAHD60H	2	1575	48.0	33.8	—	12.75
AC19B48B21S	TM8E120C16MP11	24.5	XAHD60J	1	1025	40.5	26.0	17.50	25.35
AC19B48B21S	TM8E120C16MP11	24.5	XAHD60J	2	1575	48.0	33.8	—	12.75
AC19B48B21S	TM8E120C20MP11	21.0	CF/CM/CU48C	1	1325	40.5	32.0	16.25	24.00
AC19B48B21S	TM8E120C20MP11	21.0	CF/CM/CU48C	2	1750	47.0	36.0	16.25	12.20
AC19B48B21S	TM8E120C20MP11	21.0	CF/CM/CU48D	1	1325	40.0	32.0	16.50	23.70
AC19B48B21S	TM8E120C20MP11	21.0	CF/CM/CU48D	2	1525	48.0	36.6	16.50	13.00
AC19B48B21S	TM8E120C20MP11	21.0	CF/CM/CU60C	1	1300	40.5	31.2	16.25	23.75
AC19B48B21S	TM8E120C20MP11	21.0	CF/CM/CU60C	2	1500	48.0	36.2	16.25	13.00
AC19B48B21S	TM8E120C20MP11	21.0	CF/CM/CU60D	1	1325	41.0	31.0	16.75	24.00
AC19B48B21S	TM8E120C20MP11	21.0	CF/CM/CU60D	2	1525	48.0	36.4	16.75	13.00
AC19B48B21S	TM8E120C20MP11	21.0	CF/CM64D	1	1325	41.0	31.6	17.00	24.45
AC19B48B21S	TM8E120C20MP11	21.0	CF/CM64D	2	1525	48.0	36.4	17.00	13.25
AC19B48B21S	TM8E120C20MP11	21.0	XAF/XAUC48F	1	1275	40.5	27.4	16.25	23.70
AC19B48B21S	TM8E120C20MP11	21.0	XAF/XAUC48F	2	1475	47.0	32.6	—	12.75
AC19B48B21S	TM8E120C20MP11	21.0	XAF/XAUC60G	1	1300	41.5	28.6	16.25	24.30
AC19B48B21S	TM8E120C20MP11	21.0	XAF/XAUC60G	2	1500	47.5	33.0	—	13.00
AC19B48B21S	TM8E120C20MP11	24.5	XAF/XAUD60G	1	1300	41.5	28.6	16.75	24.30
AC19B48B21S	TM8E120C20MP11	24.5	XAF/XAUD60G	2	1500	47.5	32.8	—	13.00
AC19B48B21S	TM8E120C20MP11	24.5	XAF/XAUD60H	1	1275	41.5	28.6	17.00	24.45
AC19B48B21S	TM8E120C20MP11	24.5	XAF/XAUD60H	2	1500	48.0	33.2	—	13.25
AC19B48B21S	TM8E120C20MP11	21.0	XAFC60H	1	1300	42.0	29.2	17.25	24.55
AC19B48B21S	TM8E120C20MP11	21.0	XAFC60H	2	1500	48.0	34.2	—	13.25
AC19B48B21S	TM8E120C20MP11	24.5	XAFD48F	1	1275	41.0	27.8	16.50	23.85
AC19B48B21S	TM8E120C20MP11	24.5	XAFD48F	2	1500	47.5	32.6	—	12.75
AC19B48B21S	TM8E120C20MP11	24.5	XAFD60J	1	1300	41.5	28.8	17.25	24.55
AC19B48B21S	TM8E120C20MP11	24.5	XAFD60J	2	1500	48.0	33.0	—	13.25
AC19B48B21S	TM8E120C20MP11	21.0	XAHC48F	1	1275	41.0	27.8	16.25	23.75
AC19B48B21S	TM8E120C20MP11	21.0	XAHC48F	2	1475	47.0	32.6	—	12.75
AC19B48B21S	TM8E120C20MP11	21.0	XAHC60G	1	1300	41.5	28.6	16.25	24.40
AC19B48B21S	TM8E120C20MP11	21.0	XAHC60G	2	1500	47.5	33.0	—	13.00
AC19B48B21S	TM8E120C20MP11	21.0	XAHC60H	1	1325	41.5	29.0	17.25	24.65
AC19B48B21S	TM8E120C20MP11	21.0	XAHC60H	2	1525	48.0	33.6	—	13.25
AC19B48B21S	TM8E120C20MP11	24.5	XAHD48F	1	1275	41.0	27.8	16.50	23.85
AC19B48B21S	TM8E120C20MP11	24.5	XAHD48F	2	1500	47.0	32.4	—	12.75
AC19B48B21S	TM8E120C20MP11	21.0	XAHD60G	1	1275	41.5	28.4	16.75	24.20
AC19B48B21S	TM8E120C20MP11	21.0	XAHD60G	2	1475	47.0	33.0	—	13.00
AC19B48B21S	TM8E120C20MP11	24.5	XAHD60H	1	1300	42.0	29.2	17.00	24.50
AC19B48B21S	TM8E120C20MP11	24.5	XAHD60H	2	1500	48.0	33.2	—	13.25
AC19B48B21S	TM8E120C20MP11	24.5	XAHD60J	1	1300	41.5	28.8	17.25	24.50
AC19B48B21S	TM8E120C20MP11	24.5	XAHD60J	2	1500	48.0	33.0	—	13.25
AC19B48B21S	TM8E130D20MP11	24.5	CF/CM/CU48D	1	1350	40.0	31.6	16.25	23.95
AC19B48B21S	TM8E130D20MP11	24.5	CF/CM/CU48D	2	1650	47.0	35.2	16.25	12.50
AC19B48B21S	TM8E130D20MP11	24.5	CF/CM/CU60D	1	1350	40.5	31.0	16.50	24.10
AC19B48B21S	TM8E130D20MP11	24.5	CF/CM/CU60D	2	1650	48.0	37.8	16.50	12.75
AC19B48B21S	TM8E130D20MP11	24.5	CF/CM64D	1	1325	41.5	32.0	17.00	24.75
AC19B48B21S	TM8E130D20MP11	24.5	CF/CM64D	2	1625	48.0	37.4	17.00	13.00

SYSTEM CAPACITY - With High Efficiency Motor Furnaces¹ (Continued)

UNIT MODEL	FURNACE MODEL	WIDTH	COIL MODEL ²	STAGE	COOLING				
					RATED CFM	NET MBH		SEER	EER
						TOTAL	SENS.		
AC19B48B21S	TM8E130D20MP11	24.5	XAF/XAUD60G	1	1300	41.5	28.6	16.50	24.45
AC19B48B21S	TM8E130D20MP11	24.5	XAF/XAUD60G	2	1625	47.5	34.0	—	12.75
AC19B48B21S	TM8E130D20MP11	24.5	XAF/XAUD60H	1	1300	42.0	29.2	17.00	24.65
AC19B48B21S	TM8E130D20MP11	24.5	XAF/XAUD60H	2	1625	48.0	34.2	—	13.00
AC19B48B21S	TM8E130D20MP11	24.5	XAFD48F	1	1300	40.5	27.6	16.25	23.95
AC19B48B21S	TM8E130D20MP11	24.5	XAFD48F	2	1625	47.5	33.8	—	12.50
AC19B48B21S	TM8E130D20MP11	24.5	XAFD60J	1	1325	41.5	28.8	17.25	24.75
AC19B48B21S	TM8E130D20MP11	24.5	XAFD60J	2	1625	48.0	34.4	—	13.00
AC19B48B21S	TM8E130D20MP11	24.5	XAHD48F	1	1300	41.0	27.8	16.25	24.05
AC19B48B21S	TM8E130D20MP11	24.5	XAHD48F	2	1600	47.5	33.8	—	12.50
AC19B48B21S	TM8E130D20MP11	21.0	XAHD60G	1	1300	41.5	28.6	16.50	24.35
AC19B48B21S	TM8E130D20MP11	21.0	XAHD60G	2	1600	47.5	33.8	—	12.75
AC19B48B21S	TM8E130D20MP11	24.5	XAHD60H	1	1300	42.0	29.2	17.00	24.65
AC19B48B21S	TM8E130D20MP11	24.5	XAHD60H	2	1625	48.0	34.2	—	13.00
AC19B48B21S	TM8E130D20MP11	24.5	XAHD60J	1	1300	41.5	28.8	17.25	24.60
AC19B48B21S	TM8E130D20MP11	24.5	XAHD60J	2	1600	48.0	35.2	—	13.00
AC19B48B21S	TM8V080C16MP11C	21.0	CF/CM/CU48C	1	875	38.5	26.0	17.00	24.40
AC19B48B21S	TM8V080C16MP11C	21.0	CF/CM/CU48C	2	1375	48.0	35.0	17.00	13.00
AC19B48B21S	TM8V080C16MP11C	21.0	CF/CM/CU60C	1	900	38.5	26.4	16.75	24.45
AC19B48B21S	TM8V080C16MP11C	21.0	CF/CM/CU60C	2	1425	48.0	35.6	16.75	13.00
AC19B48B21S	TM8V080C16MP11C	21.0	CF/CM64D	1	975	39.5	27.4	17.00	24.85
AC19B48B21S	TM8V080C16MP11C	21.0	CF/CM64D	2	1425	48.0	35.6	17.00	13.00
AC19B48B21S	TM8V080C16MP12C	21.0	CF/CM/CU48C	1	875	38.5	26.0	17.00	24.40
AC19B48B21S	TM8V080C16MP12C	21.0	CF/CM/CU48C	2	1375	48.0	35.0	17.00	13.00
AC19B48B21S	TM8V080C16MP12C	21.0	CF/CM/CU60C	1	900	38.5	26.4	16.75	24.45
AC19B48B21S	TM8V080C16MP12C	21.0	CF/CM/CU60C	2	1425	48.0	35.6	16.75	13.00
AC19B48B21S	TM8V080C16MP12C	21.0	CF/CM64D	1	975	39.5	27.4	17.00	24.85
AC19B48B21S	TM8V080C16MP12C	21.0	CF/CM64D	2	1425	48.0	35.6	17.00	13.00
AC19B48B21S	TM8V080C16MP12C	21.0	XAF/XAUC48F	1	900	38.5	24.0	16.75	24.10
AC19B48B21S	TM8V080C16MP12C	21.0	XAF/XAUC48F	2	1425	47.0	32.4	—	12.50
AC19B48B21S	TM8V080C16MP12C	21.0	XAF/XAUC60G	1	975	39.5	25.2	16.75	24.80
AC19B48B21S	TM8V080C16MP12C	21.0	XAF/XAUC60G	2	1425	47.0	32.8	—	12.75
AC19B48B21S	TM8V080C16MP12C	24.5	XAF/XAUD60G	1	900	39.0	24.4	16.75	24.75
AC19B48B21S	TM8V080C16MP12C	24.5	XAF/XAUD60G	2	1425	47.0	32.4	—	12.75
AC19B48B21S	TM8V080C16MP12C	24.5	XAF/XAUD60H	1	975	40.0	25.8	17.00	24.75
AC19B48B21S	TM8V080C16MP12C	24.5	XAF/XAUD60H	2	1425	47.5	32.8	—	13.00
AC19B48B21S	TM8V080C16MP12C	21.0	XAFC60H	1	975	40.0	25.8	17.25	24.95
AC19B48B21S	TM8V080C16MP12C	21.0	XAFC60H	2	1425	47.5	33.0	—	13.00
AC19B48B21S	TM8V080C16MP12C	24.5	XAFD48F	1	900	38.5	24.0	16.50	24.10
AC19B48B21S	TM8V080C16MP12C	24.5	XAFD48F	2	1425	47.0	32.0	—	12.75
AC19B48B21S	TM8V080C16MP12C	24.5	XAFD60J	1	975	40.0	25.4	17.25	25.00
AC19B48B21S	TM8V080C16MP12C	24.5	XAFD60J	2	1425	48.0	32.6	—	13.00
AC19B48B21S	TM8V080C16MP12C	21.0	XAHC48F	1	900	38.5	24.0	16.75	24.30
AC19B48B21S	TM8V080C16MP12C	21.0	XAHC48F	2	1425	47.0	32.4	—	12.50
AC19B48B21S	TM8V080C16MP12C	21.0	XAHC60G	1	900	39.5	24.6	17.00	25.30
AC19B48B21S	TM8V080C16MP12C	21.0	XAHC60G	2	1375	46.5	32.4	—	13.00
AC19B48B21S	TM8V080C16MP12C	21.0	XAHC60H	1	975	40.0	25.6	17.50	25.30
AC19B48B21S	TM8V080C16MP12C	21.0	XAHC60H	2	1425	48.0	33.0	—	13.00
AC19B48B21S	TM8V080C16MP12C	24.5	XAHD48F	1	900	38.5	24.0	16.75	24.10
AC19B48B21S	TM8V080C16MP12C	24.5	XAHD48F	2	1425	47.0	32.0	—	12.50
AC19B48B21S	TM8V080C16MP12C	21.0	XAHD60G	1	1000	40.0	25.6	16.75	24.55

SYSTEM CAPACITY - With High Efficiency Motor Furnaces¹ (Continued)

UNIT MODEL	FURNACE MODEL	WIDTH	COIL MODEL ²	STAGE	COOLING				
					RATED CFM	NET MBH		SEER	EER
						TOTAL	SENS.		
AC19B48B21S	TM8V080C16MP12C	21.0	XAHD60G	2	1425	47.0	32.8	—	12.50
AC19B48B21S	TM8V080C16MP12C	24.5	XAHD60H	1	975	40.0	25.8	17.00	24.85
AC19B48B21S	TM8V080C16MP12C	24.5	XAHD60H	2	1425	47.5	32.8	—	13.00
AC19B48B21S	TM8V080C16MP12C	24.5	XAHD60J	1	975	40.0	25.4	17.25	24.95
AC19B48B21S	TM8V080C16MP12C	24.5	XAHD60J	2	1425	48.0	32.6	—	13.00
AC19B48B21S	TM8V100C16MP11C	21.0	CF/CM/CU48C	1	875	38.5	26.0	17.00	24.40
AC19B48B21S	TM8V100C16MP11C	21.0	CF/CM/CU48C	2	1375	48.0	35.0	17.00	13.00
AC19B48B21S	TM8V100C16MP11C	21.0	CF/CM/CU60C	1	900	38.5	26.4	16.75	24.45
AC19B48B21S	TM8V100C16MP11C	21.0	CF/CM/CU60C	2	1425	48.0	35.6	16.75	13.00
AC19B48B21S	TM8V100C16MP11C	21.0	CF/CM64D	1	975	39.5	27.4	17.00	24.85
AC19B48B21S	TM8V100C16MP11C	21.0	CF/CM64D	2	1425	48.0	35.6	17.00	13.00
AC19B48B21S	TM8V100C16MP12C	21.0	CF/CM/CU48C	1	875	38.5	26.0	17.00	24.40
AC19B48B21S	TM8V100C16MP12C	21.0	CF/CM/CU48C	2	1375	48.0	35.0	17.00	13.00
AC19B48B21S	TM8V100C16MP12C	21.0	CF/CM/CU60C	1	900	38.5	26.4	16.75	24.45
AC19B48B21S	TM8V100C16MP12C	21.0	CF/CM/CU60C	2	1425	48.0	35.6	16.75	13.00
AC19B48B21S	TM8V100C16MP12C	21.0	CF/CM64D	1	975	39.5	27.4	17.00	24.85
AC19B48B21S	TM8V100C16MP12C	21.0	CF/CM64D	2	1425	48.0	35.6	17.00	13.00
AC19B48B21S	TM8V100C16MP12C	21.0	XAF/XAUC48F	1	900	38.5	24.0	16.75	24.10
AC19B48B21S	TM8V100C16MP12C	21.0	XAF/XAUC48F	2	1425	47.0	32.4	—	12.50
AC19B48B21S	TM8V100C16MP12C	21.0	XAF/XAUC60G	1	975	39.5	25.2	16.75	24.80
AC19B48B21S	TM8V100C16MP12C	21.0	XAF/XAUC60G	2	1425	47.0	32.8	—	12.75
AC19B48B21S	TM8V100C16MP12C	24.5	XAF/XAUD60G	1	900	39.0	24.4	16.75	24.75
AC19B48B21S	TM8V100C16MP12C	24.5	XAF/XAUD60G	2	1425	47.0	32.4	—	12.75
AC19B48B21S	TM8V100C16MP12C	24.5	XAF/XAUD60H	1	975	40.0	25.8	17.00	24.75
AC19B48B21S	TM8V100C16MP12C	24.5	XAF/XAUD60H	2	1425	47.5	32.8	—	13.00
AC19B48B21S	TM8V100C16MP12C	21.0	XAFC60H	1	975	40.0	25.8	17.25	24.95
AC19B48B21S	TM8V100C16MP12C	21.0	XAFC60H	2	1425	47.5	33.0	—	13.00
AC19B48B21S	TM8V100C16MP12C	24.5	XAFD48F	1	900	38.5	24.0	16.50	24.10
AC19B48B21S	TM8V100C16MP12C	24.5	XAFD48F	2	1425	47.0	32.0	—	12.75
AC19B48B21S	TM8V100C16MP12C	24.5	XAFD60J	1	975	40.0	25.4	17.25	25.00
AC19B48B21S	TM8V100C16MP12C	24.5	XAFD60J	2	1425	48.0	32.6	—	13.00
AC19B48B21S	TM8V100C16MP12C	21.0	XAHC48F	1	900	38.5	24.0	16.75	24.30
AC19B48B21S	TM8V100C16MP12C	21.0	XAHC48F	2	1425	47.0	32.4	—	12.50
AC19B48B21S	TM8V100C16MP12C	21.0	XAHC60G	1	900	39.5	24.6	17.00	25.30
AC19B48B21S	TM8V100C16MP12C	21.0	XAHC60G	2	1375	46.5	32.4	—	13.00
AC19B48B21S	TM8V100C16MP12C	21.0	XAHC60H	1	975	40.0	25.6	17.50	25.30
AC19B48B21S	TM8V100C16MP12C	21.0	XAHC60H	2	1425	48.0	33.0	—	13.00
AC19B48B21S	TM8V100C16MP12C	24.5	XAHD48F	1	900	38.5	24.0	16.75	24.10
AC19B48B21S	TM8V100C16MP12C	24.5	XAHD48F	2	1425	47.0	32.0	—	12.50
AC19B48B21S	TM8V100C16MP12C	21.0	XAHD60G	1	1000	40.0	25.6	16.75	24.55
AC19B48B21S	TM8V100C16MP12C	21.0	XAHD60G	2	1425	47.0	32.8	—	12.50
AC19B48B21S	TM8V100C16MP12C	24.5	XAHD60H	1	975	40.0	25.8	17.00	24.85
AC19B48B21S	TM8V100C16MP12C	24.5	XAHD60H	2	1425	47.5	32.8	—	13.00
AC19B48B21S	TM8V100C16MP12C	24.5	XAHD60J	1	975	40.0	25.4	17.25	24.95
AC19B48B21S	TM8V100C16MP12C	24.5	XAHD60J	2	1425	48.0	32.6	—	13.00
AC19B48B21S	TM8V100C20MP11C	21.0	CF/CM/CU48C	1	925	39.0	26.4	17.25	24.95
AC19B48B21S	TM8V100C20MP11C	21.0	CF/CM/CU48C	2	1375	48.0	35.0	17.25	13.25
AC19B48B21S	TM8V100C20MP11C	21.0	CF/CM/CU60C	1	1075	40.0	29.0	17.00	25.05
AC19B48B21S	TM8V100C20MP11C	21.0	CF/CM/CU60C	2	1550	48.0	37.0	17.00	13.00
AC19B48B21S	TM8V100C20MP11C	21.0	CF/CM64D	1	975	40.0	28.0	17.25	25.30
AC19B48B21S	TM8V100C20MP11C	21.0	CF/CM64D	2	1425	48.0	35.6	17.25	13.25

SYSTEM CAPACITY - With High Efficiency Motor Furnaces¹ (Continued)

UNIT MODEL	FURNACE MODEL	WIDTH	COIL MODEL ²	STAGE	COOLING				
					RATED CFM	NET MBH		SEER	EER
						TOTAL	SENS.		
AC19B48B21S	TM8V100C20MP12C	21.0	CF/CM/CU48C	1	925	39.0	26.4	17.25	24.95
AC19B48B21S	TM8V100C20MP12C	21.0	CF/CM/CU48C	2	1375	48.0	35.0	17.25	13.25
AC19B48B21S	TM8V100C20MP12C	21.0	CF/CM/CU60C	1	1075	40.0	29.0	17.00	25.05
AC19B48B21S	TM8V100C20MP12C	21.0	CF/CM/CU60C	2	1550	48.0	37.0	17.00	13.00
AC19B48B21S	TM8V100C20MP12C	21.0	CF/CM64D	1	975	40.0	28.0	17.25	25.30
AC19B48B21S	TM8V100C20MP12C	21.0	CF/CM64D	2	1425	48.0	35.6	17.25	13.25
AC19B48B21S	TM8V100C20MP12C	21.0	XAF/XAUC60G	1	975	40.0	25.4	17.00	25.25
AC19B48B21S	TM8V100C20MP12C	21.0	XAF/XAUC60G	2	1425	47.0	32.6	—	13.00
AC19B48B21S	TM8V100C20MP12C	24.5	XAF/XAUD60G	1	975	40.0	25.4	17.00	25.20
AC19B48B21S	TM8V100C20MP12C	24.5	XAF/XAUD60G	2	1425	47.0	32.2	—	13.00
AC19B48B21S	TM8V100C20MP12C	24.5	XAF/XAUD60H	1	1225	41.5	28.2	17.25	24.95
AC19B48B21S	TM8V100C20MP12C	24.5	XAF/XAUD60H	2	1775	48.0	35.2	—	12.50
AC19B48B21S	TM8V100C20MP12C	21.0	XAFC60H	1	975	40.0	25.6	17.50	25.35
AC19B48B21S	TM8V100C20MP12C	21.0	XAFC60H	2	1425	48.0	33.0	—	13.25
AC19B48B21S	TM8V100C20MP12C	24.5	XAFD48F	1	1225	40.5	27.2	16.75	24.30
AC19B48B21S	TM8V100C20MP12C	24.5	XAFD48F	2	1775	47.5	34.6	—	12.25
AC19B48B21S	TM8V100C20MP12C	24.5	XAFD60J	1	1000	40.0	25.6	17.50	25.45
AC19B48B21S	TM8V100C20MP12C	24.5	XAFD60J	2	1450	48.0	32.6	—	13.25
AC19B48B21S	TM8V100C20MP12C	21.0	XAHC48F	1	975	39.5	25.0	17.00	24.70
AC19B48B21S	TM8V100C20MP12C	21.0	XAHC48F	2	1425	47.0	32.2	—	12.75
AC19B48B21S	TM8V100C20MP12C	21.0	XAHC60G	1	1000	40.5	25.8	17.25	25.60
AC19B48B21S	TM8V100C20MP12C	21.0	XAHC60G	2	1450	47.5	32.8	—	13.00
AC19B48B21S	TM8V100C20MP12C	21.0	XAHC60H	1	925	40.0	25.2	17.50	25.70
AC19B48B21S	TM8V100C20MP12C	21.0	XAHC60H	2	1375	48.0	32.6	—	13.50
AC19B48B21S	TM8V100C20MP12C	24.5	XAHD60H	1	975	40.0	25.6	17.25	25.30
AC19B48B21S	TM8V100C20MP12C	24.5	XAHD60H	2	1425	48.0	32.6	—	13.25
AC19B48B21S	TM8V100C20MP12C	24.5	XAHD60J	1	975	40.0	25.4	17.50	25.35
AC19B48B21S	TM8V100C20MP12C	24.5	XAHD60J	2	1425	48.0	32.4	—	13.25
AC19B48B21S	TM8V120C20MP11C	21.0	CF/CM/CU48C	1	925	39.0	26.4	17.25	24.95
AC19B48B21S	TM8V120C20MP11C	21.0	CF/CM/CU48C	2	1375	48.0	35.0	17.25	13.25
AC19B48B21S	TM8V120C20MP11C	21.0	CF/CM/CU60C	1	1075	40.0	29.0	17.00	25.05
AC19B48B21S	TM8V120C20MP11C	21.0	CF/CM/CU60C	2	1550	48.0	37.0	17.00	13.00
AC19B48B21S	TM8V120C20MP11C	21.0	CF/CM64D	1	975	40.0	28.0	17.25	25.30
AC19B48B21S	TM8V120C20MP11C	21.0	CF/CM64D	2	1425	48.0	35.6	17.25	13.25
AC19B48B21S	TM8V120C20MP12C	21.0	CF/CM/CU48C	1	925	39.0	26.4	17.25	24.95
AC19B48B21S	TM8V120C20MP12C	21.0	CF/CM/CU48C	2	1375	48.0	35.0	17.25	13.25
AC19B48B21S	TM8V120C20MP12C	21.0	CF/CM/CU60C	1	1075	40.0	29.0	17.00	25.05
AC19B48B21S	TM8V120C20MP12C	21.0	CF/CM/CU60C	2	1550	48.0	37.0	17.00	13.00
AC19B48B21S	TM8V120C20MP12C	21.0	CF/CM64D	1	975	40.0	28.0	17.25	25.30
AC19B48B21S	TM8V120C20MP12C	21.0	CF/CM64D	2	1425	48.0	35.6	17.25	13.25
AC19B48B21S	TM8V120C20MP12C	21.0	XAF/XAUC60G	1	975	40.0	25.4	17.00	25.25
AC19B48B21S	TM8V120C20MP12C	21.0	XAF/XAUC60G	2	1425	47.0	32.6	—	13.00
AC19B48B21S	TM8V120C20MP12C	24.5	XAF/XAUD60G	1	975	40.0	25.4	17.00	25.20
AC19B48B21S	TM8V120C20MP12C	24.5	XAF/XAUD60G	2	1425	47.0	32.2	—	13.00
AC19B48B21S	TM8V120C20MP12C	24.5	XAF/XAUD60H	1	1225	41.5	28.2	17.25	24.95
AC19B48B21S	TM8V120C20MP12C	24.5	XAF/XAUD60H	2	1775	48.0	35.2	—	12.50
AC19B48B21S	TM8V120C20MP12C	21.0	XAFC60H	1	975	40.0	25.6	17.50	25.35
AC19B48B21S	TM8V120C20MP12C	21.0	XAFC60H	2	1425	48.0	33.0	—	13.25
AC19B48B21S	TM8V120C20MP12C	24.5	XAFD48F	1	1225	40.5	27.2	16.75	24.30
AC19B48B21S	TM8V120C20MP12C	24.5	XAFD48F	2	1775	47.5	34.6	—	12.25
AC19B48B21S	TM8V120C20MP12C	24.5	XAFD60J	1	1000	40.0	25.6	17.50	25.45

SYSTEM CAPACITY - With High Efficiency Motor Furnaces¹ (Continued)

UNIT MODEL	FURNACE MODEL	WIDTH	COIL MODEL ²	STAGE	COOLING				
					RATED CFM	NET MBH		SEER	EER
						TOTAL	SENS.		
AC19B48B21S	TM8V120C20MP12C	24.5	XAFD60J	2	1450	48.0	32.6	—	13.25
AC19B48B21S	TM8V120C20MP12C	21.0	XAHC48F	1	975	39.5	25.0	17.00	24.70
AC19B48B21S	TM8V120C20MP12C	21.0	XAHC48F	2	1425	47.0	32.2	—	12.75
AC19B48B21S	TM8V120C20MP12C	21.0	XAHC60G	1	1000	40.5	25.8	17.25	25.60
AC19B48B21S	TM8V120C20MP12C	21.0	XAHC60G	2	1450	47.5	32.8	—	13.00
AC19B48B21S	TM8V120C20MP12C	21.0	XAHC60H	1	925	40.0	25.2	17.50	25.70
AC19B48B21S	TM8V120C20MP12C	21.0	XAHC60H	2	1375	48.0	32.6	—	13.50
AC19B48B21S	TM8V120C20MP12C	24.5	XAHD60H	1	975	40.0	25.6	17.25	25.30
AC19B48B21S	TM8V120C20MP12C	24.5	XAHD60H	2	1425	48.0	32.6	—	13.25
AC19B48B21S	TM8V120C20MP12C	24.5	XAHD60J	1	975	40.0	25.4	17.50	25.35
AC19B48B21S	TM8V120C20MP12C	24.5	XAHD60J	2	1425	48.0	32.4	—	13.25
AC19B48B21S	TM8X080C16MP11	21.0	CF/CM/CU48C	1	1000	39.5	27.6	17.00	24.60
AC19B48B21S	TM8X080C16MP11	21.0	CF/CM/CU48C	2	1350	48.0	34.8	17.00	13.00
AC19B48B21S	TM8X080C16MP11	21.0	CF/CM/CU48D	1	1025	39.5	27.8	17.00	24.70
AC19B48B21S	TM8X080C16MP11	21.0	CF/CM/CU48D	2	1375	48.0	35.0	17.00	13.00
AC19B48B21S	TM8X080C16MP11	21.0	CF/CM/CU60C	1	1000	39.0	27.2	16.75	24.10
AC19B48B21S	TM8X080C16MP11	21.0	CF/CM/CU60C	2	1350	47.0	34.0	16.75	12.75
AC19B48B21S	TM8X080C16MP11	21.0	CF/CM/CU60D	1	1025	38.5	27.4	16.50	24.30
AC19B48B21S	TM8X080C16MP11	21.0	CF/CM/CU60D	2	1375	47.5	34.4	16.50	13.00
AC19B48B21S	TM8X080C16MP11	21.0	CF/CM64D	1	1000	39.0	27.6	16.75	24.65
AC19B48B21S	TM8X080C16MP11	21.0	CF/CM64D	2	1350	48.0	34.8	16.75	13.00
AC19B48B21S	TM8X100C16MP11	21.0	CF/CM/CU48C	1	1000	39.5	27.6	17.00	24.60
AC19B48B21S	TM8X100C16MP11	21.0	CF/CM/CU48C	2	1350	48.0	34.8	17.00	13.00
AC19B48B21S	TM8X100C16MP11	21.0	CF/CM/CU48D	1	1025	39.5	27.8	17.00	24.70
AC19B48B21S	TM8X100C16MP11	21.0	CF/CM/CU48D	2	1375	48.0	35.0	17.00	13.00
AC19B48B21S	TM8X100C16MP11	21.0	CF/CM/CU60C	1	1000	39.0	27.2	16.75	24.10
AC19B48B21S	TM8X100C16MP11	21.0	CF/CM/CU60C	2	1350	47.0	34.0	16.75	12.75
AC19B48B21S	TM8X100C16MP11	21.0	CF/CM/CU60D	1	1025	38.5	27.4	16.50	24.30
AC19B48B21S	TM8X100C16MP11	21.0	CF/CM/CU60D	2	1375	47.5	34.4	16.50	13.00
AC19B48B21S	TM8X100C16MP11	21.0	CF/CM64D	1	1000	39.0	27.6	16.75	24.65
AC19B48B21S	TM8X100C16MP11	21.0	CF/CM64D	2	1350	48.0	34.8	16.75	13.00
AC19B48B21S	TM8X100C16MP12C	21.0	CF/CM/CU48C	1	1400	40.5	32.4	15.75	22.55
AC19B48B21S	TM8X100C16MP12C	21.0	CF/CM/CU48C	2	1525	48.0	36.6	15.75	12.50
AC19B48B21S	TM8X100C16MP12C	21.0	CF/CM/CU60C	1	1375	41.0	32.2	15.75	22.75
AC19B48B21S	TM8X100C16MP12C	21.0	CF/CM/CU60C	2	1525	48.0	36.6	15.75	12.50
AC19B48B21S	TM8X100C16MP12C	21.0	CF/CM64D	1	1375	41.0	32.0	16.00	22.95
AC19B48B21S	TM8X100C16MP12C	21.0	CF/CM64D	2	1525	48.0	36.6	16.00	13.00
AC19B48B21S	TM8X100C20MP11	21.0	CF/CM/CU48C	1	1050	40.0	28.6	17.00	24.80
AC19B48B21S	TM8X100C20MP11	21.0	CF/CM/CU48C	2	1375	48.0	35.0	17.00	13.25
AC19B48B21S	TM8X100C20MP11	21.0	CF/CM/CU48D	1	1050	39.5	28.6	16.75	24.80
AC19B48B21S	TM8X100C20MP11	21.0	CF/CM/CU48D	2	1400	48.0	35.6	16.75	13.25
AC19B48B21S	TM8X100C20MP11	21.0	CF/CM/CU60C	1	1050	39.0	27.8	16.50	24.35
AC19B48B21S	TM8X100C20MP11	21.0	CF/CM/CU60C	2	1375	47.5	34.4	16.50	13.00
AC19B48B21S	TM8X100C20MP11	21.0	CF/CM/CU60D	1	1050	39.0	28.2	16.75	24.60
AC19B48B21S	TM8X100C20MP11	21.0	CF/CM/CU60D	2	1400	47.5	35.0	16.75	13.25
AC19B48B21S	TM8X100C20MP11	21.0	CF/CM64D	1	1050	39.5	28.6	17.00	24.95
AC19B48B21S	TM8X100C20MP11	21.0	CF/CM64D	2	1375	48.0	35.2	17.00	13.50
AC19B48B21S	TM8X120C20MP11	21.0	CF/CM/CU48C	1	1050	40.0	28.6	17.00	24.80
AC19B48B21S	TM8X120C20MP11	21.0	CF/CM/CU48C	2	1375	48.0	35.0	17.00	13.25
AC19B48B21S	TM8X120C20MP11	21.0	CF/CM/CU48D	1	1050	39.5	28.6	16.75	24.80
AC19B48B21S	TM8X120C20MP11	21.0	CF/CM/CU48D	2	1400	48.0	35.6	16.75	13.25

SYSTEM CAPACITY - With High Efficiency Motor Furnaces¹ (Continued)

UNIT MODEL	FURNACE MODEL	WIDTH	COIL MODEL ²	STAGE	COOLING				
					RATED CFM	NET MBH		SEER	EER
						TOTAL	SENS.		
AC19B48B21S	TM8X120C20MP11	21.0	CF/CM/CU60C	1	1050	39.0	27.8	16.50	24.35
AC19B48B21S	TM8X120C20MP11	21.0	CF/CM/CU60C	2	1375	47.5	34.4	16.50	13.00
AC19B48B21S	TM8X120C20MP11	21.0	CF/CM/CU60D	1	1050	39.0	28.2	16.75	24.60
AC19B48B21S	TM8X120C20MP11	21.0	CF/CM/CU60D	2	1400	47.5	35.0	16.75	13.25
AC19B48B21S	TM8X120C20MP11	21.0	CF/CM64D	1	1050	39.5	28.6	17.00	24.95
AC19B48B21S	TM8X120C20MP11	21.0	CF/CM64D	2	1375	48.0	35.2	17.00	13.50
AC19B48B21S	TM8Y080C16MP11	21.0	CF/CM/CU48C	1	1000	39.5	27.6	17.00	24.60
AC19B48B21S	TM8Y080C16MP11	21.0	CF/CM/CU48C	2	1350	48.0	34.8	17.00	13.00
AC19B48B21S	TM8Y080C16MP11	21.0	CF/CM/CU48D	1	1025	39.5	27.8	17.00	24.70
AC19B48B21S	TM8Y080C16MP11	21.0	CF/CM/CU48D	2	1375	48.0	35.0	17.00	13.00
AC19B48B21S	TM8Y080C16MP11	21.0	CF/CM/CU60C	1	1000	39.0	27.2	16.75	24.10
AC19B48B21S	TM8Y080C16MP11	21.0	CF/CM/CU60C	2	1350	47.0	34.0	16.75	12.75
AC19B48B21S	TM8Y080C16MP11	21.0	CF/CM/CU60D	1	1025	38.5	27.4	16.50	24.30
AC19B48B21S	TM8Y080C16MP11	21.0	CF/CM/CU60D	2	1375	47.5	34.4	16.50	13.00
AC19B48B21S	TM8Y080C16MP11	21.0	CF/CM64D	1	1000	39.0	27.6	16.75	24.65
AC19B48B21S	TM8Y080C16MP11	21.0	CF/CM64D	2	1350	48.0	34.8	16.75	13.00
AC19B48B21S	TM8Y080C16MP11	21.0	XAF/XAUC48F	1	1000	39.0	24.8	16.75	24.35
AC19B48B21S	TM8Y080C16MP11	21.0	XAF/XAUC48F	2	1350	46.5	31.4	—	12.75
AC19B48B21S	TM8Y080C16MP11	21.0	XAF/XAUC60G	1	1050	40.5	26.2	16.75	25.35
AC19B48B21S	TM8Y080C16MP11	21.0	XAF/XAUC60G	2	1525	47.0	33.4	—	12.50
AC19B48B21S	TM8Y080C16MP11	24.5	XAF/XAUD60G	1	1025	40.5	26.0	17.00	25.25
AC19B48B21S	TM8Y080C16MP11	24.5	XAF/XAUD60G	2	1375	47.0	32.0	—	13.00
AC19B48B21S	TM8Y080C16MP11	24.5	XAF/XAUD60H	1	1025	40.5	26.4	17.00	25.20
AC19B48B21S	TM8Y080C16MP11	24.5	XAF/XAUD60H	2	1550	48.0	33.6	—	12.75
AC19B48B21S	TM8Y080C16MP11	21.0	XAFC60H	1	1025	40.5	26.2	17.50	25.20
AC19B48B21S	TM8Y080C16MP11	21.0	XAFC60H	2	1375	47.5	32.6	—	13.25
AC19B48B21S	TM8Y080C16MP11	24.5	XAFD48F	1	1000	39.0	24.8	16.75	24.35
AC19B48B21S	TM8Y080C16MP11	24.5	XAFD48F	2	1350	46.5	31.2	—	12.75
AC19B48B21S	TM8Y080C16MP11	24.5	XAFD60J	1	1025	40.0	25.8	17.25	25.20
AC19B48B21S	TM8Y080C16MP11	24.5	XAFD60J	2	1375	48.0	32.0	—	13.25
AC19B48B21S	TM8Y080C16MP11	21.0	XAHC48F	1	1025	39.5	25.4	16.75	24.55
AC19B48B21S	TM8Y080C16MP11	21.0	XAHC48F	2	1350	46.5	31.4	—	12.75
AC19B48B21S	TM8Y080C16MP11	21.0	XAHC60G	1	850	39.5	24.2	16.75	25.60
AC19B48B21S	TM8Y080C16MP11	21.0	XAHC60G	2	1375	47.0	32.4	—	13.00
AC19B48B21S	TM8Y080C16MP11	21.0	XAHC60H	1	1075	41.0	26.8	17.50	25.55
AC19B48B21S	TM8Y080C16MP11	21.0	XAHC60H	2	1375	47.5	32.6	—	13.25
AC19B48B21S	TM8Y080C16MP11	24.5	XAHD48F	1	1000	39.0	24.8	16.75	24.35
AC19B48B21S	TM8Y080C16MP11	24.5	XAHD48F	2	1350	46.5	31.2	—	12.75
AC19B48B21S	TM8Y080C16MP11	21.0	XAHD60G	1	1025	40.5	26.0	16.50	25.15
AC19B48B21S	TM8Y080C16MP11	21.0	XAHD60G	2	1525	47.0	33.4	—	12.50
AC19B48B21S	TM8Y080C16MP11	24.5	XAHD60H	1	1025	40.5	26.4	17.25	25.15
AC19B48B21S	TM8Y080C16MP11	24.5	XAHD60H	2	1350	47.5	32.2	—	13.25
AC19B48B21S	TM8Y080C16MP11	24.5	XAHD60J	1	1050	40.5	26.2	17.50	25.40
AC19B48B21S	TM8Y080C16MP11	24.5	XAHD60J	2	1525	48.0	33.4	—	12.75
AC19B48B21S	TM8Y100C16MP11	21.0	CF/CM/CU48C	1	1000	39.5	27.6	17.00	24.60
AC19B48B21S	TM8Y100C16MP11	21.0	CF/CM/CU48C	2	1350	48.0	34.8	17.00	13.00
AC19B48B21S	TM8Y100C16MP11	21.0	CF/CM/CU48D	1	1025	39.5	27.8	17.00	24.70
AC19B48B21S	TM8Y100C16MP11	21.0	CF/CM/CU48D	2	1375	48.0	35.0	17.00	13.00
AC19B48B21S	TM8Y100C16MP11	21.0	CF/CM/CU60C	1	1000	39.0	27.2	16.75	24.10
AC19B48B21S	TM8Y100C16MP11	21.0	CF/CM/CU60C	2	1350	47.0	34.0	16.75	12.75
AC19B48B21S	TM8Y100C16MP11	21.0	CF/CM/CU60D	1	1025	38.5	27.4	16.50	24.30

SYSTEM CAPACITY - With High Efficiency Motor Furnaces¹ (Continued)

UNIT MODEL	FURNACE MODEL	WIDTH	COIL MODEL ²	STAGE	COOLING				
					RATED CFM	NET MBH		SEER	EER
						TOTAL	SENS.		
AC19B48B21S	TM8Y100C16MP11	21.0	CF/CM/CU60D	2	1375	47.5	34.4	16.50	13.00
AC19B48B21S	TM8Y100C16MP11	21.0	CF/CM64D	1	1000	39.0	27.6	16.75	24.65
AC19B48B21S	TM8Y100C16MP11	21.0	CF/CM64D	2	1350	48.0	34.8	16.75	13.00
AC19B48B21S	TM8Y100C16MP11	21.0	XAF/XAUC48F	1	1000	39.0	24.8	16.75	24.35
AC19B48B21S	TM8Y100C16MP11	21.0	XAF/XAUC48F	2	1350	46.5	31.4	—	12.75
AC19B48B21S	TM8Y100C16MP11	21.0	XAF/XAUC60G	1	1050	40.5	26.2	16.75	25.35
AC19B48B21S	TM8Y100C16MP11	21.0	XAF/XAUC60G	2	1525	47.0	33.4	—	12.50
AC19B48B21S	TM8Y100C16MP11	24.5	XAF/XAUD60G	1	1025	40.5	26.0	17.00	25.25
AC19B48B21S	TM8Y100C16MP11	24.5	XAF/XAUD60G	2	1375	47.0	32.0	—	13.00
AC19B48B21S	TM8Y100C16MP11	24.5	XAF/XAUD60H	1	1025	40.5	26.4	17.00	25.20
AC19B48B21S	TM8Y100C16MP11	24.5	XAF/XAUD60H	2	1550	48.0	33.6	—	12.75
AC19B48B21S	TM8Y100C16MP11	21.0	XAFC60H	1	1025	40.5	26.2	17.50	25.20
AC19B48B21S	TM8Y100C16MP11	21.0	XAFC60H	2	1375	47.5	32.6	—	13.25
AC19B48B21S	TM8Y100C16MP11	24.5	XAFD48F	1	1000	39.0	24.8	16.75	24.35
AC19B48B21S	TM8Y100C16MP11	24.5	XAFD48F	2	1350	46.5	31.2	—	12.75
AC19B48B21S	TM8Y100C16MP11	24.5	XAFD60J	1	1025	40.0	25.8	17.25	25.20
AC19B48B21S	TM8Y100C16MP11	24.5	XAFD60J	2	1375	48.0	32.0	—	13.25
AC19B48B21S	TM8Y100C16MP11	21.0	XAHC48F	1	1025	39.5	25.4	16.75	24.55
AC19B48B21S	TM8Y100C16MP11	21.0	XAHC48F	2	1350	46.5	31.4	—	12.75
AC19B48B21S	TM8Y100C16MP11	21.0	XAHC60G	1	850	39.5	24.2	16.75	25.60
AC19B48B21S	TM8Y100C16MP11	21.0	XAHC60G	2	1375	47.0	32.4	—	13.00
AC19B48B21S	TM8Y100C16MP11	21.0	XAHC60H	1	1075	41.0	26.8	17.50	25.55
AC19B48B21S	TM8Y100C16MP11	21.0	XAHC60H	2	1375	47.5	32.6	—	13.25
AC19B48B21S	TM8Y100C16MP11	24.5	XAHD48F	1	1000	39.0	24.8	16.75	24.35
AC19B48B21S	TM8Y100C16MP11	24.5	XAHD48F	2	1350	46.5	31.2	—	12.75
AC19B48B21S	TM8Y100C16MP11	21.0	XAHD60G	1	1025	40.5	26.0	16.50	25.15
AC19B48B21S	TM8Y100C16MP11	21.0	XAHD60G	2	1525	47.0	33.4	—	12.50
AC19B48B21S	TM8Y100C16MP11	24.5	XAHD60H	1	1025	40.5	26.4	17.25	25.15
AC19B48B21S	TM8Y100C16MP11	24.5	XAHD60H	2	1350	47.5	32.2	—	13.25
AC19B48B21S	TM8Y100C16MP11	24.5	XAHD60J	1	1050	40.5	26.2	17.50	25.40
AC19B48B21S	TM8Y100C16MP11	24.5	XAHD60J	2	1525	48.0	33.4	—	12.75
AC19B48B21S	TM8Y100C20MP11	21.0	CF/CM/CU48C	1	1050	40.0	28.6	17.00	24.80
AC19B48B21S	TM8Y100C20MP11	21.0	CF/CM/CU48C	2	1375	48.0	35.0	17.00	13.25
AC19B48B21S	TM8Y100C20MP11	21.0	CF/CM/CU48D	1	1050	39.5	28.6	16.75	24.80
AC19B48B21S	TM8Y100C20MP11	21.0	CF/CM/CU48D	2	1400	48.0	35.6	16.75	13.25
AC19B48B21S	TM8Y100C20MP11	21.0	CF/CM/CU60C	1	1050	39.0	27.8	16.50	24.35
AC19B48B21S	TM8Y100C20MP11	21.0	CF/CM/CU60C	2	1375	47.5	34.4	16.50	13.00
AC19B48B21S	TM8Y100C20MP11	21.0	CF/CM/CU60D	1	1050	39.0	28.2	16.75	24.60
AC19B48B21S	TM8Y100C20MP11	21.0	CF/CM/CU60D	2	1400	47.5	35.0	16.75	13.25
AC19B48B21S	TM8Y100C20MP11	21.0	CF/CM64D	1	1050	39.5	28.6	17.00	24.95
AC19B48B21S	TM8Y100C20MP11	21.0	CF/CM64D	2	1375	48.0	35.2	17.00	13.50
AC19B48B21S	TM8Y100C20MP11	21.0	XAF/XAUC48F	1	1025	39.5	25.4	17.00	24.55
AC19B48B21S	TM8Y100C20MP11	21.0	XAF/XAUC48F	2	1350	47.0	31.6	—	13.00
AC19B48B21S	TM8Y100C20MP11	21.0	XAF/XAUC60G	1	1025	40.5	26.0	16.50	25.35
AC19B48B21S	TM8Y100C20MP11	21.0	XAF/XAUC60G	2	1375	47.0	32.2	—	13.00
AC19B48B21S	TM8Y100C20MP11	24.5	XAF/XAUD60G	1	1025	40.5	26.0	16.75	25.30
AC19B48B21S	TM8Y100C20MP11	24.5	XAF/XAUD60G	2	1375	47.0	32.0	—	13.00
AC19B48B21S	TM8Y100C20MP11	24.5	XAF/XAUD60H	1	1050	40.5	26.4	17.25	25.40
AC19B48B21S	TM8Y100C20MP11	24.5	XAF/XAUD60H	2	1550	48.0	33.4	—	13.25
AC19B48B21S	TM8Y100C20MP11	21.0	XAFC60H	1	1050	40.5	26.4	17.50	25.40
AC19B48B21S	TM8Y100C20MP11	21.0	XAFC60H	2	1375	48.0	32.6	—	13.50

SYSTEM CAPACITY - With High Efficiency Motor Furnaces¹ (Continued)

UNIT MODEL	FURNACE MODEL	WIDTH	COIL MODEL ²	STAGE	COOLING				
					RATED CFM	NET MBH		SEER	EER
						TOTAL	SENS.		
AC19B48B21S	TM8Y100C20MP11	24.5	XAFD48F	1	1050	39.5	25.4	17.00	24.75
AC19B48B21S	TM8Y100C20MP11	24.5	XAFD48F	2	1550	47.0	32.8	—	12.75
AC19B48B21S	TM8Y100C20MP11	24.5	XAFD60J	1	1050	40.5	26.2	17.50	25.40
AC19B48B21S	TM8Y100C20MP11	24.5	XAFD60J	2	1375	48.0	32.0	—	13.25
AC19B48B21S	TM8Y100C20MP11	21.0	XAHC48F	1	1050	39.5	25.4	16.50	24.80
AC19B48B21S	TM8Y100C20MP11	21.0	XAHC48F	2	1525	47.0	33.0	—	12.75
AC19B48B21S	TM8Y100C20MP11	21.0	XAHC60G	1	1075	41.0	26.6	16.50	25.55
AC19B48B21S	TM8Y100C20MP11	21.0	XAHC60G	2	1375	47.0	32.2	—	13.00
AC19B48B21S	TM8Y100C20MP11	21.0	XAHC60H	1	1075	41.0	26.8	17.75	25.60
AC19B48B21S	TM8Y100C20MP11	21.0	XAHC60H	2	1375	48.0	32.6	—	13.50
AC19B48B21S	TM8Y100C20MP11	24.5	XAHD48F	1	1025	39.5	25.4	17.00	24.55
AC19B48B21S	TM8Y100C20MP11	24.5	XAHD48F	2	1350	47.0	31.4	—	13.00
AC19B48B21S	TM8Y100C20MP11	21.0	XAHD60G	1	1025	40.0	25.8	16.75	25.05
AC19B48B21S	TM8Y100C20MP11	21.0	XAHD60G	2	1350	47.0	32.0	—	13.00
AC19B48B21S	TM8Y100C20MP11	24.5	XAHD60H	1	1050	40.5	26.4	17.25	25.40
AC19B48B21S	TM8Y100C20MP11	24.5	XAHD60H	2	1550	48.0	33.4	—	13.25
AC19B48B21S	TM8Y100C20MP11	24.5	XAHD60J	1	1050	40.5	26.2	17.50	25.35
AC19B48B21S	TM8Y100C20MP11	24.5	XAHD60J	2	1350	48.0	31.8	—	13.25
AC19B48B21S	TM8Y120C20MP11	21.0	CF/CM/CU48C	1	1050	40.0	28.6	17.00	24.80
AC19B48B21S	TM8Y120C20MP11	21.0	CF/CM/CU48C	2	1375	48.0	35.0	17.00	13.25
AC19B48B21S	TM8Y120C20MP11	21.0	CF/CM/CU48D	1	1050	39.5	28.6	16.75	24.80
AC19B48B21S	TM8Y120C20MP11	21.0	CF/CM/CU48D	2	1400	48.0	35.6	16.75	13.25
AC19B48B21S	TM8Y120C20MP11	21.0	CF/CM/CU60C	1	1050	39.0	27.8	16.50	24.35
AC19B48B21S	TM8Y120C20MP11	21.0	CF/CM/CU60C	2	1375	47.5	34.4	16.50	13.00
AC19B48B21S	TM8Y120C20MP11	21.0	CF/CM/CU60D	1	1050	39.0	28.2	16.75	24.60
AC19B48B21S	TM8Y120C20MP11	21.0	CF/CM/CU60D	2	1400	47.5	35.0	16.75	13.25
AC19B48B21S	TM8Y120C20MP11	21.0	CF/CM64D	1	1050	39.5	28.6	17.00	24.95
AC19B48B21S	TM8Y120C20MP11	21.0	CF/CM64D	2	1375	48.0	35.2	17.00	13.50
AC19B48B21S	TM8Y120C20MP11	21.0	XAF/XAUC48F	1	1025	39.5	25.4	17.00	24.55
AC19B48B21S	TM8Y120C20MP11	21.0	XAF/XAUC48F	2	1350	47.0	31.6	—	13.00
AC19B48B21S	TM8Y120C20MP11	21.0	XAF/XAUC60G	1	1025	40.5	26.0	16.50	25.35
AC19B48B21S	TM8Y120C20MP11	21.0	XAF/XAUC60G	2	1375	47.0	32.2	—	13.00
AC19B48B21S	TM8Y120C20MP11	24.5	XAF/XAUD60G	1	1025	40.5	26.0	16.75	25.30
AC19B48B21S	TM8Y120C20MP11	24.5	XAF/XAUD60G	2	1375	47.0	32.0	—	13.00
AC19B48B21S	TM8Y120C20MP11	24.5	XAF/XAUD60H	1	1050	40.5	26.4	17.25	25.40
AC19B48B21S	TM8Y120C20MP11	24.5	XAF/XAUD60H	2	1550	48.0	33.4	—	13.25
AC19B48B21S	TM8Y120C20MP11	21.0	XAFC60H	1	1050	40.5	26.4	17.50	25.40
AC19B48B21S	TM8Y120C20MP11	21.0	XAFC60H	2	1375	48.0	32.6	—	13.50
AC19B48B21S	TM8Y120C20MP11	24.5	XAFD48F	1	1050	39.5	25.4	17.00	24.75
AC19B48B21S	TM8Y120C20MP11	24.5	XAFD48F	2	1550	47.0	32.8	—	12.75
AC19B48B21S	TM8Y120C20MP11	24.5	XAFD60J	1	1050	40.5	26.2	17.50	25.40
AC19B48B21S	TM8Y120C20MP11	24.5	XAFD60J	2	1375	48.0	32.0	—	13.25
AC19B48B21S	TM8Y120C20MP11	21.0	XAHC48F	1	1050	39.5	25.4	16.50	24.80
AC19B48B21S	TM8Y120C20MP11	21.0	XAHC48F	2	1525	47.0	33.0	—	12.75
AC19B48B21S	TM8Y120C20MP11	21.0	XAHC60G	1	1075	41.0	26.6	16.50	25.55
AC19B48B21S	TM8Y120C20MP11	21.0	XAHC60G	2	1375	47.0	32.2	—	13.00
AC19B48B21S	TM8Y120C20MP11	21.0	XAHC60H	1	1075	41.0	26.8	17.75	25.60
AC19B48B21S	TM8Y120C20MP11	21.0	XAHC60H	2	1375	48.0	32.6	—	13.50
AC19B48B21S	TM8Y120C20MP11	24.5	XAHD48F	1	1025	39.5	25.4	17.00	24.55
AC19B48B21S	TM8Y120C20MP11	24.5	XAHD48F	2	1350	47.0	31.4	—	13.00
AC19B48B21S	TM8Y120C20MP11	21.0	XAHD60G	1	1025	40.0	25.8	16.75	25.05

SYSTEM CAPACITY - With High Efficiency Motor Furnaces¹ (Continued)

UNIT MODEL	FURNACE MODEL	WIDTH	COIL MODEL ²	STAGE	COOLING				
					RATED CFM	NET MBH		SEER	EER
						TOTAL	SENS.		
AC19B48B21S	TM8Y120C20MP11	21.0	XAHD60G	2	1350	47.0	32.0	—	13.00
AC19B48B21S	TM8Y120C20MP11	24.5	XAHD60H	1	1050	40.5	26.4	17.25	25.40
AC19B48B21S	TM8Y120C20MP11	24.5	XAHD60H	2	1550	48.0	33.4	—	13.25
AC19B48B21S	TM8Y120C20MP11	24.5	XAHD60J	1	1050	40.5	26.2	17.50	25.35
AC19B48B21S	TM8Y120C20MP11	24.5	XAHD60J	2	1350	48.0	31.8	—	13.25
AC19B48B21S	TM9E080B12MP11	17.5	CF/CM/CU48C	1	950	39.0	27.0	16.50	24.05
AC19B48B21S	TM9E080B12MP11	17.5	CF/CM/CU48C	2	1325	47.5	34.2	16.50	12.50
AC19B48B21S	TM9E080B12MP11	17.5	CF/CM/CU60C	1	950	38.0	26.4	16.00	23.60
AC19B48B21S	TM9E080B12MP11	17.5	CF/CM/CU60C	2	1325	47.0	33.8	16.00	12.25
AC19B48B21S	TM9E080B12MP12	17.5	CF/CM/CU48C	1	850	38.0	25.4	16.00	24.10
AC19B48B21S	TM9E080B12MP12	17.5	CF/CM/CU48C	2	1325	47.0	34.0	16.00	12.25
AC19B48B21S	TM9E080B12MP12	17.5	CF/CM/CU60C	1	850	36.8	25.4	16.00	23.30
AC19B48B21S	TM9E080B12MP12	17.5	CF/CM/CU60C	2	1325	47.0	33.8	16.00	12.25
AC19B48B21S	TM9E080C16MP11	21.0	CF/CM/CU48C	1	1025	39.5	27.8	16.75	24.20
AC19B48B21S	TM9E080C16MP11	21.0	CF/CM/CU48C	2	1375	47.5	34.8	16.75	12.50
AC19B48B21S	TM9E080C16MP11	21.0	CF/CM/CU48D	1	1025	39.5	28.0	16.50	24.20
AC19B48B21S	TM9E080C16MP11	21.0	CF/CM/CU48D	2	1400	47.5	35.2	16.50	12.50
AC19B48B21S	TM9E080C16MP11	21.0	CF/CM/CU60C	1	1025	38.5	27.4	16.00	23.75
AC19B48B21S	TM9E080C16MP11	21.0	CF/CM/CU60C	2	1375	47.0	34.2	16.00	12.50
AC19B48B21S	TM9E080C16MP11	21.0	CF/CM/CU60D	1	1025	38.5	27.6	16.25	23.65
AC19B48B21S	TM9E080C16MP11	21.0	CF/CM/CU60D	2	1400	47.0	34.4	16.25	12.50
AC19B48B21S	TM9E080C16MP11	21.0	CF/CM64D	1	1025	39.0	28.0	17.00	24.25
AC19B48B21S	TM9E080C16MP11	21.0	CF/CM64D	2	1400	48.0	35.4	17.00	12.75
AC19B48B21S	TM9E080C20MP12	21.0	CF/CM/CU48C	1	1275	40.5	31.6	16.50	24.05
AC19B48B21S	TM9E080C20MP12	21.0	CF/CM/CU48C	2	1500	48.0	36.4	16.50	13.00
AC19B48B21S	TM9E080C20MP12	21.0	CF/CM/CU48D	1	1275	40.0	31.2	16.75	23.95
AC19B48B21S	TM9E080C20MP12	21.0	CF/CM/CU48D	2	1525	48.0	36.6	16.75	13.00
AC19B48B21S	TM9E080C20MP12	21.0	CF/CM/CU60C	1	1250	40.0	30.4	16.25	23.80
AC19B48B21S	TM9E080C20MP12	21.0	CF/CM/CU60C	2	1500	48.0	36.2	16.25	13.00
AC19B48B21S	TM9E080C20MP12	21.0	CF/CM/CU60D	1	1275	40.5	31.2	16.75	24.10
AC19B48B21S	TM9E080C20MP12	21.0	CF/CM/CU60D	2	1525	48.0	36.4	16.75	13.00
AC19B48B21S	TM9E080C20MP12	21.0	CF/CM64D	1	1275	41.0	31.2	17.00	24.70
AC19B48B21S	TM9E080C20MP12	21.0	CF/CM64D	2	1500	48.0	36.2	17.00	13.25
AC19B48B21S	TM9E080C20MP12	21.0	XAF/XAUC48F	1	1225	41.0	27.4	16.50	24.00
AC19B48B21S	TM9E080C20MP12	21.0	XAF/XAUC48F	2	1475	47.0	32.6	—	12.75
AC19B48B21S	TM9E080C20MP12	21.0	XAF/XAUC60G	1	1225	41.5	28.0	16.50	24.45
AC19B48B21S	TM9E080C20MP12	21.0	XAF/XAUC60G	2	1400	47.0	32.4	—	13.00
AC19B48B21S	TM9E080C20MP12	24.5	XAF/XAUD60G	1	1225	41.5	28.0	16.75	24.45
AC19B48B21S	TM9E080C20MP12	24.5	XAF/XAUD60G	2	1400	47.0	32.2	—	13.00
AC19B48B21S	TM9E080C20MP12	24.5	XAF/XAUD60H	1	1250	41.5	28.4	17.00	24.70
AC19B48B21S	TM9E080C20MP12	24.5	XAF/XAUD60H	2	1500	48.0	33.2	—	13.25
AC19B48B21S	TM9E080C20MP12	21.0	XAFC60H	1	1250	41.5	28.4	17.25	24.75
AC19B48B21S	TM9E080C20MP12	21.0	XAFC60H	2	1500	48.0	33.4	—	13.25
AC19B48B21S	TM9E080C20MP12	24.5	XAFD48F	1	1250	41.0	27.6	16.75	24.10
AC19B48B21S	TM9E080C20MP12	24.5	XAFD48F	2	1500	47.0	32.4	—	12.75
AC19B48B21S	TM9E080C20MP12	24.5	XAFD60J	1	1250	41.5	28.4	17.25	24.75
AC19B48B21S	TM9E080C20MP12	24.5	XAFD60J	2	1500	48.0	33.0	—	13.25
AC19B48B21S	TM9E080C20MP12	21.0	XAHC48F	1	1250	40.5	27.4	16.50	24.00
AC19B48B21S	TM9E080C20MP12	21.0	XAHC48F	2	1475	47.0	32.6	—	12.75
AC19B48B21S	TM9E080C20MP12	21.0	XAHC60G	1	1275	41.5	28.4	16.25	24.65
AC19B48B21S	TM9E080C20MP12	21.0	XAHC60G	2	1500	47.5	33.2	—	13.00

SYSTEM CAPACITY - With High Efficiency Motor Furnaces¹ (Continued)

UNIT MODEL	FURNACE MODEL	WIDTH	COIL MODEL ²	STAGE	COOLING				
					RATED CFM	NET MBH		SEER	EER
						TOTAL	SENS.		
AC19B48B21S	TM9E080C20MP12	21.0	XAHC60H	1	1275	41.5	28.6	17.25	24.90
AC19B48B21S	TM9E080C20MP12	21.0	XAHC60H	2	1525	48.0	33.6	—	13.25
AC19B48B21S	TM9E080C20MP12	24.5	XAHD48F	1	1225	41.0	27.4	16.75	24.00
AC19B48B21S	TM9E080C20MP12	24.5	XAHD48F	2	1475	47.0	32.2	—	12.75
AC19B48B21S	TM9E080C20MP12	21.0	XAHD60G	1	1225	41.5	28.0	16.75	24.40
AC19B48B21S	TM9E080C20MP12	21.0	XAHD60G	2	1475	47.0	33.0	—	13.00
AC19B48B21S	TM9E080C20MP12	24.5	XAHD60H	1	1250	41.5	28.4	17.00	24.70
AC19B48B21S	TM9E080C20MP12	24.5	XAHD60H	2	1500	48.0	33.2	—	13.25
AC19B48B21S	TM9E080C20MP12	24.5	XAHD60J	1	1250	41.5	28.4	17.25	24.75
AC19B48B21S	TM9E080C20MP12	24.5	XAHD60J	2	1475	48.0	32.8	—	13.00
AC19B48B21S	TM9E100C16MP11	21.0	CF/CM/CU48C	1	1025	39.5	28.0	16.50	24.30
AC19B48B21S	TM9E100C16MP11	21.0	CF/CM/CU48C	2	1400	47.5	35.2	16.50	12.75
AC19B48B21S	TM9E100C16MP11	21.0	CF/CM/CU48D	1	1050	39.5	28.6	16.50	24.35
AC19B48B21S	TM9E100C16MP11	21.0	CF/CM/CU48D	2	1400	47.5	35.2	16.50	12.50
AC19B48B21S	TM9E100C16MP11	21.0	CF/CM/CU60C	1	1025	38.5	27.6	16.25	23.70
AC19B48B21S	TM9E100C16MP11	21.0	CF/CM/CU60C	2	1400	47.0	34.6	16.25	12.50
AC19B48B21S	TM9E100C16MP11	21.0	CF/CM/CU60D	1	1050	39.0	28.0	16.25	24.00
AC19B48B21S	TM9E100C16MP11	21.0	CF/CM/CU60D	2	1425	47.5	35.2	16.25	12.50
AC19B48B21S	TM9E100C16MP11	21.0	CF/CM64D	1	1025	39.0	28.0	17.00	24.35
AC19B48B21S	TM9E100C16MP11	21.0	CF/CM64D	2	1400	48.0	35.4	17.00	13.00
AC19B48B21S	TM9E100C16MP12	21.0	CF/CM/CU60D	1	900	37.6	26.0	16.50	24.10
AC19B48B21S	TM9E100C16MP12	21.0	CF/CM/CU60D	2	1600	48.0	37.0	16.50	12.25
AC19B48B21S	TM9E100C20MP11	21.0	CF/CM/CU48C	1	1225	40.0	30.8	16.25	23.65
AC19B48B21S	TM9E100C20MP11	21.0	CF/CM/CU48C	2	1525	48.0	36.6	16.25	12.50
AC19B48B21S	TM9E100C20MP11	21.0	CF/CM/CU48D	1	1225	40.0	30.8	16.25	23.70
AC19B48B21S	TM9E100C20MP11	21.0	CF/CM/CU48D	2	1550	46.5	34.0	16.25	12.25
AC19B48B21S	TM9E100C20MP11	21.0	CF/CM/CU60C	1	1225	40.0	29.8	16.50	23.65
AC19B48B21S	TM9E100C20MP11	21.0	CF/CM/CU60C	2	1525	48.0	36.2	16.50	12.50
AC19B48B21S	TM9E100C20MP11	21.0	CF/CM/CU60D	1	1225	39.5	30.0	16.00	23.50
AC19B48B21S	TM9E100C20MP11	21.0	CF/CM/CU60D	2	1550	47.5	36.4	16.00	12.50
AC19B48B21S	TM9E100C20MP11	21.0	CF/CM64D	1	1225	41.0	30.8	16.75	24.40
AC19B48B21S	TM9E100C20MP11	21.0	CF/CM64D	2	1550	48.0	36.8	16.75	13.00
AC19B48B21S	TM9E100C20MP12	21.0	CF/CM/CU48C	1	1250	40.5	31.2	16.50	24.25
AC19B48B21S	TM9E100C20MP12	21.0	CF/CM/CU48C	2	1525	48.0	36.6	16.50	13.00
AC19B48B21S	TM9E100C20MP12	21.0	CF/CM/CU48D	1	1275	40.5	31.6	16.50	24.35
AC19B48B21S	TM9E100C20MP12	21.0	CF/CM/CU48D	2	1550	47.0	34.6	16.50	12.75
AC19B48B21S	TM9E100C20MP12	21.0	CF/CM/CU60C	1	1225	39.5	29.8	16.25	23.70
AC19B48B21S	TM9E100C20MP12	21.0	CF/CM/CU60C	2	1400	47.5	35.0	16.25	13.00
AC19B48B21S	TM9E100C20MP12	21.0	CF/CM/CU60D	1	1275	40.0	30.4	16.50	24.00
AC19B48B21S	TM9E100C20MP12	21.0	CF/CM/CU60D	2	1550	48.0	36.8	16.50	13.00
AC19B48B21S	TM9E100C20MP12	21.0	CF/CM64D	1	1250	41.5	31.2	17.00	24.90
AC19B48B21S	TM9E100C20MP12	21.0	CF/CM64D	2	1525	48.0	36.4	17.00	13.25
AC19B48B21S	TM9E100C20MP12	21.0	XAF/XAUC48F	1	1225	41.0	27.4	16.50	24.10
AC19B48B21S	TM9E100C20MP12	21.0	XAF/XAUC48F	2	1475	47.0	32.6	—	12.75
AC19B48B21S	TM9E100C20MP12	21.0	XAF/XAUC60G	1	1225	41.5	28.0	16.25	24.50
AC19B48B21S	TM9E100C20MP12	21.0	XAF/XAUC60G	2	1400	47.0	32.4	—	13.00
AC19B48B21S	TM9E100C20MP12	24.5	XAF/XAUD60G	1	1225	41.5	28.0	16.50	24.50
AC19B48B21S	TM9E100C20MP12	24.5	XAF/XAUD60G	2	1400	47.0	32.0	—	13.00
AC19B48B21S	TM9E100C20MP12	24.5	XAF/XAUD60H	1	1250	41.5	28.4	17.00	24.85
AC19B48B21S	TM9E100C20MP12	24.5	XAF/XAUD60H	2	1700	48.0	34.6	—	12.75
AC19B48B21S	TM9E100C20MP12	21.0	XAFC60H	1	1250	41.5	28.4	17.25	24.85

SYSTEM CAPACITY - With High Efficiency Motor Furnaces¹ (Continued)

UNIT MODEL	FURNACE MODEL	WIDTH	COIL MODEL ²	STAGE	COOLING				
					RATED CFM	NET MBH		SEER	EER
						TOTAL	SENS.		
AC19B48B21S	TM9E100C20MP12	21.0	XAFC60H	2	1500	48.0	33.4	—	13.25
AC19B48B21S	TM9E100C20MP12	24.5	XAFD48F	1	1200	40.5	27.0	16.50	24.00
AC19B48B21S	TM9E100C20MP12	24.5	XAFD48F	2	1375	47.0	31.6	—	12.75
AC19B48B21S	TM9E100C20MP12	24.5	XAFD60J	1	1250	41.5	28.4	17.25	24.85
AC19B48B21S	TM9E100C20MP12	24.5	XAFD60J	2	1500	48.0	33.0	—	13.25
AC19B48B21S	TM9E100C20MP12	21.0	XAHC48F	1	1225	41.0	27.4	16.50	24.15
AC19B48B21S	TM9E100C20MP12	21.0	XAHC48F	2	1475	47.0	32.6	—	12.75
AC19B48B21S	TM9E100C20MP12	21.0	XAHC60G	1	1250	41.0	27.8	16.25	24.70
AC19B48B21S	TM9E100C20MP12	21.0	XAHC60G	2	1500	47.5	33.0	—	13.00
AC19B48B21S	TM9E100C20MP12	21.0	XAHC60H	1	1275	42.0	28.8	17.50	25.10
AC19B48B21S	TM9E100C20MP12	21.0	XAHC60H	2	1700	48.0	36.0	—	12.75
AC19B48B21S	TM9E100C20MP12	24.5	XAHD48F	1	1200	40.5	27.0	16.50	24.00
AC19B48B21S	TM9E100C20MP12	24.5	XAHD48F	2	1375	47.0	31.6	—	12.75
AC19B48B21S	TM9E100C20MP12	21.0	XAHD60G	1	1200	41.0	27.6	16.50	24.35
AC19B48B21S	TM9E100C20MP12	21.0	XAHD60G	2	1375	47.0	32.4	—	13.00
AC19B48B21S	TM9E100C20MP12	24.5	XAHD60H	1	1250	41.5	28.4	17.00	24.90
AC19B48B21S	TM9E100C20MP12	24.5	XAHD60H	2	1700	48.0	34.6	—	12.75
AC19B48B21S	TM9E100C20MP12	24.5	XAHD60J	1	1225	41.0	27.8	17.25	24.70
AC19B48B21S	TM9E100C20MP12	24.5	XAHD60J	2	1500	48.0	33.0	—	13.25
AC19B48B21S	TM9E120D20MP11	24.5	CF/CM/CU48D	1	1000	39.0	27.4	17.00	25.00
AC19B48B21S	TM9E120D20MP11	24.5	CF/CM/CU48D	2	1400	48.0	35.6	17.00	13.25
AC19B48B21S	TM9E120D20MP11	24.5	CF/CM/CU60D	1	1000	38.5	27.2	16.75	24.40
AC19B48B21S	TM9E120D20MP11	24.5	CF/CM/CU60D	2	1400	47.5	35.0	16.75	13.00
AC19B48B21S	TM9E120D20MP11	24.5	CF/CM64D	1	1000	39.0	27.8	17.00	24.95
AC19B48B21S	TM9E120D20MP11	24.5	CF/CM64D	2	1375	48.0	35.2	17.00	13.25
AC19B48B21S	TM9E120D20MP12	24.5	CF/CM/CU48D	1	1300	40.5	31.8	16.25	24.05
AC19B48B21S	TM9E120D20MP12	24.5	CF/CM/CU48D	2	1625	47.0	35.0	16.25	12.25
AC19B48B21S	TM9E120D20MP12	24.5	CF/CM/CU60D	1	1300	40.5	31.2	16.50	23.95
AC19B48B21S	TM9E120D20MP12	24.5	CF/CM/CU60D	2	1625	48.0	37.2	16.50	12.75
AC19B48B21S	TM9E120D20MP12	24.5	CF/CM64D	1	1250	41.0	31.2	16.75	24.35
AC19B48B21S	TM9E120D20MP12	24.5	CF/CM64D	2	1450	48.0	35.8	16.75	13.25
AC19B48B21S	TM9E120D20MP12	24.5	XAF/XAUD60G	1	1275	41.5	28.4	16.50	24.45
AC19B48B21S	TM9E120D20MP12	24.5	XAF/XAUD60G	2	1600	47.5	33.8	—	12.75
AC19B48B21S	TM9E120D20MP12	24.5	XAF/XAUD60H	1	1250	41.5	28.4	16.75	24.55
AC19B48B21S	TM9E120D20MP12	24.5	XAF/XAUD60H	2	1600	48.0	34.2	—	12.75
AC19B48B21S	TM9E120D20MP12	24.5	XAFD48F	1	1250	41.0	27.6	16.25	24.00
AC19B48B21S	TM9E120D20MP12	24.5	XAFD48F	2	1600	47.5	33.8	—	12.25
AC19B48B21S	TM9E120D20MP12	24.5	XAFD60J	1	1275	41.5	28.6	17.25	24.65
AC19B48B21S	TM9E120D20MP12	24.5	XAFD60J	2	1600	48.0	35.4	—	13.00
AC19B48B21S	TM9E120D20MP12	24.5	XAHD48F	1	1250	41.0	27.6	16.25	23.95
AC19B48B21S	TM9E120D20MP12	24.5	XAHD48F	2	1600	47.5	33.8	—	12.25
AC19B48B21S	TM9E120D20MP12	21.0	XAHD60G	1	1225	41.0	27.8	16.50	24.20
AC19B48B21S	TM9E120D20MP12	21.0	XAHD60G	2	1400	47.0	32.6	—	12.75
AC19B48B21S	TM9E120D20MP12	24.5	XAHD60H	1	1250	41.5	28.4	16.75	24.55
AC19B48B21S	TM9E120D20MP12	24.5	XAHD60H	2	1600	48.0	34.2	—	12.75
AC19B48B21S	TM9E120D20MP12	24.5	XAHD60J	1	1250	41.5	28.4	17.00	24.55
AC19B48B21S	TM9E120D20MP12	24.5	XAHD60J	2	1575	48.0	34.0	—	12.75
AC19B48B21S	TM9V080C16MP11C	21.0	CF/CM/CU48C	1	900	38.5	26.2	16.75	24.25
AC19B48B21S	TM9V080C16MP11C	21.0	CF/CM/CU48C	2	1375	47.5	34.8	16.75	12.75
AC19B48B21S	TM9V080C16MP11C	21.0	CF/CM/CU48D	1	900	38.5	26.2	16.75	24.30
AC19B48B21S	TM9V080C16MP11C	21.0	CF/CM/CU48D	2	1375	47.5	34.8	16.75	12.75

SYSTEM CAPACITY - With High Efficiency Motor Furnaces¹ (Continued)

UNIT MODEL	FURNACE MODEL	WIDTH	COIL MODEL ²	STAGE	COOLING				
					RATED CFM	NET MBH		SEER	EER
						TOTAL	SENS.		
AC19B48B21S	TM9V080C16MP11C	21.0	CF/CM/CU60C	1	900	38.5	26.4	16.50	24.15
AC19B48B21S	TM9V080C16MP11C	21.0	CF/CM/CU60C	2	1375	48.0	35.6	16.50	12.75
AC19B48B21S	TM9V080C16MP11C	21.0	CF/CM/CU60D	1	975	38.5	27.0	16.50	23.95
AC19B48B21S	TM9V080C16MP11C	21.0	CF/CM/CU60D	2	1525	48.0	36.4	16.50	12.50
AC19B48B21S	TM9V080C16MP11C	21.0	CF/CM64D	1	950	38.5	27.0	16.75	24.35
AC19B48B21S	TM9V080C16MP11C	21.0	CF/CM64D	2	1475	48.0	36.2	16.75	12.75
AC19B48B21S	TM9V080C16MP12C	21.0	CF/CM/CU48C	1	900	38.5	26.2	16.75	24.25
AC19B48B21S	TM9V080C16MP12C	21.0	CF/CM/CU48C	2	1375	47.5	34.8	16.75	12.75
AC19B48B21S	TM9V080C16MP12C	21.0	CF/CM/CU48D	1	900	38.5	26.2	16.75	24.30
AC19B48B21S	TM9V080C16MP12C	21.0	CF/CM/CU48D	2	1375	47.5	34.8	16.75	12.75
AC19B48B21S	TM9V080C16MP12C	21.0	CF/CM/CU60C	1	900	38.5	26.4	16.50	24.15
AC19B48B21S	TM9V080C16MP12C	21.0	CF/CM/CU60C	2	1375	48.0	35.6	16.50	12.75
AC19B48B21S	TM9V080C16MP12C	21.0	CF/CM/CU60D	1	975	38.5	27.0	16.50	23.95
AC19B48B21S	TM9V080C16MP12C	21.0	CF/CM/CU60D	2	1525	48.0	36.4	16.50	12.50
AC19B48B21S	TM9V080C16MP12C	21.0	CF/CM64D	1	950	38.5	27.0	16.75	24.35
AC19B48B21S	TM9V080C16MP12C	21.0	CF/CM64D	2	1475	48.0	36.2	16.75	12.75
AC19B48B21S	TM9V080C16MP12C	21.0	XAF/XAUC48F	1	900	38.5	24.0	16.50	23.75
AC19B48B21S	TM9V080C16MP12C	21.0	XAF/XAUC48F	2	1375	46.5	31.8	—	12.50
AC19B48B21S	TM9V080C16MP12C	21.0	XAF/XAUC60G	1	900	39.5	24.6	16.25	24.65
AC19B48B21S	TM9V080C16MP12C	21.0	XAF/XAUC60G	2	1375	46.5	32.6	—	12.50
AC19B48B21S	TM9V080C16MP12C	24.5	XAF/XAUD60G	1	900	39.5	24.6	16.50	24.60
AC19B48B21S	TM9V080C16MP12C	24.5	XAF/XAUD60G	2	1375	46.5	32.2	—	12.50
AC19B48B21S	TM9V080C16MP12C	24.5	XAF/XAUD60H	1	950	39.5	25.2	16.75	24.45
AC19B48B21S	TM9V080C16MP12C	24.5	XAF/XAUD60H	2	1475	47.5	33.2	—	12.75
AC19B48B21S	TM9V080C16MP12C	21.0	XAFC60H	1	950	39.5	25.2	17.00	24.70
AC19B48B21S	TM9V080C16MP12C	21.0	XAFC60H	2	1475	47.5	33.6	—	12.75
AC19B48B21S	TM9V080C16MP12C	24.5	XAFD48F	1	900	38.5	24.0	16.50	23.80
AC19B48B21S	TM9V080C16MP12C	24.5	XAFD48F	2	1375	46.5	31.4	—	12.50
AC19B48B21S	TM9V080C16MP12C	24.5	XAFD60J	1	950	40.0	25.2	17.25	24.75
AC19B48B21S	TM9V080C16MP12C	24.5	XAFD60J	2	1475	48.0	33.2	—	12.75
AC19B48B21S	TM9V080C16MP12C	21.0	XAHC48F	1	900	38.5	24.0	16.50	23.95
AC19B48B21S	TM9V080C16MP12C	21.0	XAHC48F	2	1375	46.5	31.8	—	12.50
AC19B48B21S	TM9V080C16MP12C	21.0	XAHC60G	1	900	39.5	24.6	16.50	24.95
AC19B48B21S	TM9V080C16MP12C	21.0	XAHC60G	2	1375	46.5	32.6	—	12.50
AC19B48B21S	TM9V080C16MP12C	21.0	XAHC60H	1	950	39.5	25.2	17.25	25.05
AC19B48B21S	TM9V080C16MP12C	21.0	XAHC60H	2	1475	47.5	33.6	—	12.75
AC19B48B21S	TM9V080C16MP12C	24.5	XAHD48F	1	900	38.5	24.0	16.50	23.75
AC19B48B21S	TM9V080C16MP12C	24.5	XAHD48F	2	1375	46.5	31.4	—	12.50
AC19B48B21S	TM9V080C16MP12C	21.0	XAHD60G	1	900	39.5	24.6	16.50	24.50
AC19B48B21S	TM9V080C16MP12C	21.0	XAHD60G	2	1375	46.5	32.6	—	12.50
AC19B48B21S	TM9V080C16MP12C	24.5	XAHD60H	1	950	39.5	25.2	16.75	24.60
AC19B48B21S	TM9V080C16MP12C	24.5	XAHD60H	2	1475	47.5	33.2	—	12.75
AC19B48B21S	TM9V080C16MP12C	24.5	XAHD60J	1	900	39.0	24.4	17.00	24.65
AC19B48B21S	TM9V080C16MP12C	24.5	XAHD60J	2	1375	48.0	32.4	—	12.75
AC19B48B21S	TM9V100C16MP11C	21.0	CF/CM/CU48C	1	925	39.0	26.6	17.00	24.60
AC19B48B21S	TM9V100C16MP11C	21.0	CF/CM/CU48C	2	1325	47.5	34.4	17.00	13.00
AC19B48B21S	TM9V100C16MP11C	21.0	CF/CM/CU60C	1	1100	39.5	28.8	16.75	24.35
AC19B48B21S	TM9V100C16MP11C	21.0	CF/CM/CU60C	2	1600	48.0	37.2	16.75	12.50
AC19B48B21S	TM9V100C16MP11C	21.0	CF/CM64D	1	1025	39.0	28.0	17.25	24.50
AC19B48B21S	TM9V100C16MP11C	21.0	CF/CM64D	2	1475	48.0	36.2	17.25	13.00
AC19B48B21S	TM9V100C16MP12C	21.0	CF/CM/CU48C	1	925	39.0	26.6	17.00	24.60

SYSTEM CAPACITY - With High Efficiency Motor Furnaces¹ (Continued)

UNIT MODEL	FURNACE MODEL	WIDTH	COIL MODEL ²	STAGE	COOLING				
					RATED CFM	NET MBH		SEER	EER
						TOTAL	SENS.		
AC19B48B21S	TM9V100C16MP12C	21.0	CF/CM/CU48C	2	1325	47.5	34.4	17.00	13.00
AC19B48B21S	TM9V100C16MP12C	21.0	CF/CM/CU60C	1	1100	39.5	28.8	16.75	24.35
AC19B48B21S	TM9V100C16MP12C	21.0	CF/CM/CU60C	2	1600	48.0	37.2	16.75	12.50
AC19B48B21S	TM9V100C16MP12C	21.0	CF/CM64D	1	1025	39.0	28.0	17.25	24.50
AC19B48B21S	TM9V100C16MP12C	21.0	CF/CM64D	2	1475	48.0	36.2	17.25	13.00
AC19B48B21S	TM9V100C16MP12C	21.0	XAF/XAUC48F	1	975	39.0	24.8	16.75	24.15
AC19B48B21S	TM9V100C16MP12C	21.0	XAF/XAUC48F	2	1425	47.0	32.4	—	12.50
AC19B48B21S	TM9V100C16MP12C	21.0	XAF/XAUC60G	1	975	39.5	25.2	16.75	24.90
AC19B48B21S	TM9V100C16MP12C	21.0	XAF/XAUC60G	2	1425	47.0	32.6	—	13.00
AC19B48B21S	TM9V100C16MP12C	24.5	XAF/XAUD60G	1	1025	40.5	26.0	16.75	25.00
AC19B48B21S	TM9V100C16MP12C	24.5	XAF/XAUD60G	2	1475	47.0	32.8	—	12.75
AC19B48B21S	TM9V100C16MP12C	24.5	XAF/XAUD60H	1	975	40.0	25.8	17.25	24.80
AC19B48B21S	TM9V100C16MP12C	24.5	XAF/XAUD60H	2	1425	47.5	32.8	—	13.00
AC19B48B21S	TM9V100C16MP12C	21.0	XAFC60H	1	975	40.0	25.8	17.25	25.05
AC19B48B21S	TM9V100C16MP12C	21.0	XAFC60H	2	1425	48.0	33.0	—	13.00
AC19B48B21S	TM9V100C16MP12C	24.5	XAFD48F	1	975	39.0	24.8	16.75	24.15
AC19B48B21S	TM9V100C16MP12C	24.5	XAFD48F	2	1425	47.0	32.0	—	12.75
AC19B48B21S	TM9V100C16MP12C	24.5	XAFD60J	1	1025	40.5	26.0	17.50	25.05
AC19B48B21S	TM9V100C16MP12C	24.5	XAFD60J	2	1475	48.0	33.0	—	13.00
AC19B48B21S	TM9V100C16MP12C	21.0	XAHC48F	1	975	39.0	24.6	16.75	24.35
AC19B48B21S	TM9V100C16MP12C	21.0	XAHC48F	2	1425	47.0	32.4	—	12.50
AC19B48B21S	TM9V100C16MP12C	21.0	XAHC60G	1	1000	40.5	25.8	17.00	25.15
AC19B48B21S	TM9V100C16MP12C	21.0	XAHC60G	2	1475	47.0	33.0	—	12.50
AC19B48B21S	TM9V100C16MP12C	21.0	XAHC60H	1	975	40.0	25.6	17.50	25.40
AC19B48B21S	TM9V100C16MP12C	21.0	XAHC60H	2	1425	48.0	33.0	—	13.25
AC19B48B21S	TM9V100C16MP12C	24.5	XAHD48F	1	975	39.0	24.8	16.50	24.15
AC19B48B21S	TM9V100C16MP12C	24.5	XAHD48F	2	1425	47.0	32.0	—	12.75
AC19B48B21S	TM9V100C16MP12C	21.0	XAHD60G	1	1025	40.5	26.0	16.75	24.80
AC19B48B21S	TM9V100C16MP12C	21.0	XAHD60G	2	1475	47.0	33.2	—	12.75
AC19B48B21S	TM9V100C16MP12C	24.5	XAHD60H	1	975	40.0	25.8	17.25	24.90
AC19B48B21S	TM9V100C16MP12C	24.5	XAHD60H	2	1425	47.5	32.8	—	13.00
AC19B48B21S	TM9V100C16MP12C	24.5	XAHD60J	1	1025	40.5	26.0	17.50	25.00
AC19B48B21S	TM9V100C16MP12C	24.5	XAHD60J	2	1475	48.0	33.0	—	13.00
AC19B48B21S	TM9V100C20MP11C	21.0	CF/CM/CU48C	1	825	38.0	25.2	17.00	24.50
AC19B48B21S	TM9V100C20MP11C	21.0	CF/CM/CU48C	2	1350	48.0	34.8	17.00	13.00
AC19B48B21S	TM9V100C20MP11C	21.0	CF/CM/CU60C	1	1050	39.5	28.4	16.75	24.50
AC19B48B21S	TM9V100C20MP11C	21.0	CF/CM/CU60C	2	1625	48.0	37.4	16.75	12.50
AC19B48B21S	TM9V100C20MP11C	21.0	CF/CM64D	1	900	39.0	26.8	17.00	24.80
AC19B48B21S	TM9V100C20MP11C	21.0	CF/CM64D	2	1475	48.0	36.2	17.00	13.00
AC19B48B21S	TM9V100C20MP12C	21.0	CF/CM/CU48C	1	825	38.0	25.2	17.00	24.50
AC19B48B21S	TM9V100C20MP12C	21.0	CF/CM/CU48C	2	1350	48.0	34.8	17.00	13.00
AC19B48B21S	TM9V100C20MP12C	21.0	CF/CM/CU60C	1	1050	39.5	28.4	16.75	24.50
AC19B48B21S	TM9V100C20MP12C	21.0	CF/CM/CU60C	2	1625	48.0	37.4	16.75	12.50
AC19B48B21S	TM9V100C20MP12C	21.0	CF/CM64D	1	900	39.0	26.8	17.00	24.80
AC19B48B21S	TM9V100C20MP12C	21.0	CF/CM64D	2	1475	48.0	36.2	17.00	13.00
AC19B48B21S	TM9V100C20MP12C	21.0	XAF/XAUC48F	1	875	38.5	23.8	16.75	24.10
AC19B48B21S	TM9V100C20MP12C	21.0	XAF/XAUC48F	2	1475	47.0	32.6	—	12.50
AC19B48B21S	TM9V100C20MP12C	21.0	XAF/XAUC60G	1	875	39.0	24.2	17.00	24.85
AC19B48B21S	TM9V100C20MP12C	21.0	XAF/XAUC60G	2	1475	47.0	33.0	—	12.50
AC19B48B21S	TM9V100C20MP12C	24.5	XAF/XAUD60G	1	875	39.0	24.2	16.75	24.75
AC19B48B21S	TM9V100C20MP12C	24.5	XAF/XAUD60G	2	1475	47.0	32.8	—	12.75

SYSTEM CAPACITY - With High Efficiency Motor Furnaces¹ (Continued)

UNIT MODEL	FURNACE MODEL	WIDTH	COIL MODEL ²	STAGE	COOLING				
					RATED CFM	NET MBH		SEER	EER
						TOTAL	SENS.		
AC19B48B21S	TM9V100C20MP12C	24.5	XAF/XAUD60H	1	900	39.5	25.0	17.00	24.75
AC19B48B21S	TM9V100C20MP12C	24.5	XAF/XAUD60H	2	1475	48.0	33.2	—	13.00
AC19B48B21S	TM9V100C20MP12C	21.0	XAFC60H	1	900	39.5	25.0	17.25	25.00
AC19B48B21S	TM9V100C20MP12C	21.0	XAFC60H	2	1475	48.0	33.4	—	13.00
AC19B48B21S	TM9V100C20MP12C	24.5	XAFD48F	1	875	38.5	23.8	16.75	24.10
AC19B48B21S	TM9V100C20MP12C	24.5	XAFD48F	2	1475	47.0	32.4	—	12.50
AC19B48B21S	TM9V100C20MP12C	24.5	XAFD60J	1	875	39.0	24.0	17.25	25.00
AC19B48B21S	TM9V100C20MP12C	24.5	XAFD60J	2	1475	48.0	33.0	—	13.00
AC19B48B21S	TM9V100C20MP12C	21.0	XAHC48F	1	875	38.5	23.8	16.75	24.30
AC19B48B21S	TM9V100C20MP12C	21.0	XAHC48F	2	1475	47.0	32.6	—	12.50
AC19B48B21S	TM9V100C20MP12C	21.0	XAHC60G	1	875	39.0	24.2	17.00	25.10
AC19B48B21S	TM9V100C20MP12C	21.0	XAHC60G	2	1475	47.0	33.0	—	12.50
AC19B48B21S	TM9V100C20MP12C	21.0	XAHC60H	1	900	39.5	24.8	17.50	25.35
AC19B48B21S	TM9V100C20MP12C	21.0	XAHC60H	2	1475	48.0	33.4	—	13.00
AC19B48B21S	TM9V100C20MP12C	24.5	XAHD48F	1	875	38.5	23.8	16.75	24.10
AC19B48B21S	TM9V100C20MP12C	24.5	XAHD48F	2	1475	47.0	32.4	—	12.50
AC19B48B21S	TM9V100C20MP12C	21.0	XAHD60G	1	875	39.0	24.2	16.75	24.60
AC19B48B21S	TM9V100C20MP12C	21.0	XAHD60G	2	1475	47.0	33.2	—	12.75
AC19B48B21S	TM9V100C20MP12C	24.5	XAHD60H	1	900	39.5	25.0	17.00	24.85
AC19B48B21S	TM9V100C20MP12C	24.5	XAHD60H	2	1475	48.0	33.2	—	13.00
AC19B48B21S	TM9V100C20MP12C	24.5	XAHD60J	1	875	39.0	24.0	17.25	25.00
AC19B48B21S	TM9V100C20MP12C	24.5	XAHD60J	2	1475	48.0	33.0	—	13.00
AC19B48B21S	TM9V120D20MP11C	24.5	CF/CM/CU48D	1	925	38.5	26.4	17.00	24.85
AC19B48B21S	TM9V120D20MP11C	24.5	CF/CM/CU48D	2	1425	48.0	35.6	17.00	13.25
AC19B48B21S	TM9V120D20MP11C	24.5	CF/CM/CU60D	1	1000	39.5	28.0	17.00	25.15
AC19B48B21S	TM9V120D20MP11C	24.5	CF/CM/CU60D	2	1575	48.0	37.0	17.00	13.25
AC19B48B21S	TM9V120D20MP11C	24.5	CF/CM64D	1	925	39.5	27.2	17.25	25.15
AC19B48B21S	TM9V120D20MP11C	24.5	CF/CM64D	2	1425	48.0	35.6	17.25	13.25
AC19B48B21S	TM9V120D20MP12C	24.5	CF/CM/CU48D	1	925	38.5	26.4	17.00	24.85
AC19B48B21S	TM9V120D20MP12C	24.5	CF/CM/CU48D	2	1425	48.0	35.6	17.00	13.25
AC19B48B21S	TM9V120D20MP12C	24.5	CF/CM/CU60D	1	1000	39.5	28.0	17.00	25.15
AC19B48B21S	TM9V120D20MP12C	24.5	CF/CM/CU60D	2	1575	48.0	37.0	17.00	13.25
AC19B48B21S	TM9V120D20MP12C	24.5	CF/CM64D	1	925	39.5	27.2	17.25	25.15
AC19B48B21S	TM9V120D20MP12C	24.5	CF/CM64D	2	1425	48.0	35.6	17.25	13.25
AC19B48B21S	TM9V120D20MP12C	24.5	XAF/XAUD60G	1	1000	40.0	25.6	17.00	25.25
AC19B48B21S	TM9V120D20MP12C	24.5	XAF/XAUD60G	2	1575	47.5	33.6	—	13.00
AC19B48B21S	TM9V120D20MP12C	24.5	XAF/XAUD60H	1	1000	40.0	25.8	17.25	25.25
AC19B48B21S	TM9V120D20MP12C	24.5	XAF/XAUD60H	2	1575	48.0	34.0	—	13.00
AC19B48B21S	TM9V120D20MP12C	24.5	XAFD48F	1	925	39.0	24.4	17.00	24.40
AC19B48B21S	TM9V120D20MP12C	24.5	XAFD48F	2	1425	47.0	32.2	—	12.75
AC19B48B21S	TM9V120D20MP12C	24.5	XAFD60J	1	1000	40.0	25.6	17.50	25.50
AC19B48B21S	TM9V120D20MP12C	24.5	XAFD60J	2	1575	48.0	34.0	—	13.00
AC19B48B21S	TM9V120D20MP12C	24.5	XAHD48F	1	925	39.0	24.4	17.00	24.40
AC19B48B21S	TM9V120D20MP12C	24.5	XAHD48F	2	1425	47.0	32.2	—	12.75
AC19B48B21S	TM9V120D20MP12C	21.0	XAHD60G	1	1000	40.0	25.6	17.00	25.10
AC19B48B21S	TM9V120D20MP12C	21.0	XAHD60G	2	1575	47.5	33.6	—	12.75
AC19B48B21S	TM9V120D20MP12C	24.5	XAHD60H	1	1000	40.0	25.8	17.25	25.35
AC19B48B21S	TM9V120D20MP12C	24.5	XAHD60H	2	1575	48.0	34.0	—	13.00
AC19B48B21S	TM9V120D20MP12C	24.5	XAHD60J	1	1000	40.0	25.6	17.50	25.50
AC19B48B21S	TM9V120D20MP12C	24.5	XAHD60J	2	1575	48.0	34.0	—	13.00
AC19B48B21S	TM9Y080C16MP11	21.0	CF/CM/CU48C	1	1025	39.5	27.8	16.75	24.20

SYSTEM CAPACITY - With High Efficiency Motor Furnaces¹ (Continued)

UNIT MODEL	FURNACE MODEL	WIDTH	COIL MODEL ²	STAGE	COOLING				
					RATED CFM	NET MBH		SEER	EER
						TOTAL	SENS.		
AC19B48B21S	TM9Y080C16MP11	21.0	CF/CM/CU48C	2	1375	47.5	34.8	16.75	12.50
AC19B48B21S	TM9Y080C16MP11	21.0	CF/CM/CU48D	1	1025	39.5	28.0	16.50	24.20
AC19B48B21S	TM9Y080C16MP11	21.0	CF/CM/CU48D	2	1400	47.5	35.2	16.50	12.50
AC19B48B21S	TM9Y080C16MP11	21.0	CF/CM/CU60C	1	1025	38.5	27.4	16.00	23.75
AC19B48B21S	TM9Y080C16MP11	21.0	CF/CM/CU60C	2	1375	47.0	34.2	16.00	12.50
AC19B48B21S	TM9Y080C16MP11	21.0	CF/CM/CU60D	1	1025	38.5	27.6	16.25	23.65
AC19B48B21S	TM9Y080C16MP11	21.0	CF/CM/CU60D	2	1400	47.0	34.4	16.25	12.50
AC19B48B21S	TM9Y080C16MP11	21.0	CF/CM64D	1	1025	39.0	28.0	17.00	24.25
AC19B48B21S	TM9Y080C16MP11	21.0	CF/CM64D	2	1400	48.0	35.4	17.00	12.75
AC19B48B21S	TM9Y080C16MP11	21.0	XAF/XAUC48F	1	1000	39.0	25.0	16.50	23.90
AC19B48B21S	TM9Y080C16MP11	21.0	XAF/XAUC48F	2	1350	46.5	31.6	—	12.50
AC19B48B21S	TM9Y080C16MP11	21.0	XAF/XAUC60G	1	1025	40.5	26.0	16.50	24.80
AC19B48B21S	TM9Y080C16MP11	21.0	XAF/XAUC60G	2	1375	46.5	32.6	—	12.50
AC19B48B21S	TM9Y080C16MP11	24.5	XAF/XAUD60G	1	1000	40.0	25.6	16.50	24.55
AC19B48B21S	TM9Y080C16MP11	24.5	XAF/XAUD60G	2	1375	46.5	32.2	—	12.50
AC19B48B21S	TM9Y080C16MP11	24.5	XAF/XAUD60H	1	1000	40.0	25.8	17.00	24.50
AC19B48B21S	TM9Y080C16MP11	24.5	XAF/XAUD60H	2	1375	47.5	32.6	—	12.75
AC19B48B21S	TM9Y080C16MP11	21.0	XAFC60H	1	1025	40.5	26.4	17.25	24.70
AC19B48B21S	TM9Y080C16MP11	21.0	XAFC60H	2	1375	47.5	32.8	—	12.75
AC19B48B21S	TM9Y080C16MP11	24.5	XAFD48F	1	1000	39.5	25.2	16.50	24.10
AC19B48B21S	TM9Y080C16MP11	24.5	XAFD48F	2	1375	46.5	31.4	—	12.50
AC19B48B21S	TM9Y080C16MP11	24.5	XAFD60J	1	1025	40.0	25.8	17.00	24.70
AC19B48B21S	TM9Y080C16MP11	24.5	XAFD60J	2	1375	48.0	32.4	—	12.75
AC19B48B21S	TM9Y080C16MP11	21.0	XAHC48F	1	1025	40.0	25.6	16.50	24.25
AC19B48B21S	TM9Y080C16MP11	21.0	XAHC48F	2	1375	46.5	31.8	—	12.50
AC19B48B21S	TM9Y080C16MP11	21.0	XAHC60G	1	1050	40.5	26.2	16.50	24.90
AC19B48B21S	TM9Y080C16MP11	21.0	XAHC60G	2	1375	46.5	32.6	—	12.50
AC19B48B21S	TM9Y080C16MP11	21.0	XAHC60H	1	1050	40.5	26.6	17.25	24.90
AC19B48B21S	TM9Y080C16MP11	21.0	XAHC60H	2	1400	47.5	33.0	—	12.75
AC19B48B21S	TM9Y080C16MP11	24.5	XAHD48F	1	1000	39.5	25.2	16.50	24.10
AC19B48B21S	TM9Y080C16MP11	24.5	XAHD48F	2	1375	46.5	31.4	—	12.50
AC19B48B21S	TM9Y080C16MP11	21.0	XAHD60G	1	1000	40.0	25.6	16.50	24.50
AC19B48B21S	TM9Y080C16MP11	21.0	XAHD60G	2	1375	46.5	32.6	—	12.50
AC19B48B21S	TM9Y080C16MP11	24.5	XAHD60H	1	1000	40.0	25.8	17.00	24.55
AC19B48B21S	TM9Y080C16MP11	24.5	XAHD60H	2	1375	47.5	32.6	—	12.75
AC19B48B21S	TM9Y080C16MP11	24.5	XAHD60J	1	1025	40.0	25.8	17.00	24.70
AC19B48B21S	TM9Y080C16MP11	24.5	XAHD60J	2	1375	48.0	32.4	—	12.75
AC19B48B21S	TM9Y100C16MP11	21.0	CF/CM/CU48C	1	1275	39.5	31.0	16.00	22.50
AC19B48B21S	TM9Y100C16MP11	21.0	CF/CM/CU48C	2	1400	47.5	35.2	16.00	12.75
AC19B48B21S	TM9Y100C16MP11	21.0	CF/CM/CU60C	1	1275	40.0	31.0	16.00	22.85
AC19B48B21S	TM9Y100C16MP11	21.0	CF/CM/CU60C	2	1400	48.0	35.8	16.00	12.75
AC19B48B21S	TM9Y100C16MP11	21.0	CF/CM64D	1	1275	40.5	30.8	16.00	23.25
AC19B48B21S	TM9Y100C16MP11	21.0	CF/CM64D	2	1375	48.0	35.2	16.00	13.00
AC19B48B21S	TM9Y100C16MP11	21.0	XAF/XAUC48F	1	1000	39.5	25.2	16.50	24.25
AC19B48B21S	TM9Y100C16MP11	21.0	XAF/XAUC48F	2	1375	46.5	31.8	—	12.50
AC19B48B21S	TM9Y100C16MP11	21.0	XAF/XAUC60G	1	1025	40.5	26.0	16.50	24.85
AC19B48B21S	TM9Y100C16MP11	21.0	XAF/XAUC60G	2	1400	46.5	32.6	—	12.75
AC19B48B21S	TM9Y100C16MP11	24.5	XAF/XAUD60G	1	1000	40.0	25.6	16.75	24.70
AC19B48B21S	TM9Y100C16MP11	24.5	XAF/XAUD60G	2	1400	46.5	32.4	—	12.50
AC19B48B21S	TM9Y100C16MP11	24.5	XAF/XAUD60H	1	1000	40.0	26.0	17.00	24.70
AC19B48B21S	TM9Y100C16MP11	24.5	XAF/XAUD60H	2	1400	47.5	32.8	—	12.75

SYSTEM CAPACITY - With High Efficiency Motor Furnaces¹ (Continued)

UNIT MODEL	FURNACE MODEL	WIDTH	COIL MODEL ²	STAGE	COOLING				
					RATED CFM	NET MBH		SEER	EER
						TOTAL	SENS.		
AC19B48B21S	TM9Y100C16MP11	21.0	XAFC60H	1	1025	40.0	26.0	17.25	24.90
AC19B48B21S	TM9Y100C16MP11	21.0	XAFC60H	2	1400	47.5	33.0	—	12.75
AC19B48B21S	TM9Y100C16MP11	24.5	XAFD48F	1	1000	39.5	25.2	16.50	24.25
AC19B48B21S	TM9Y100C16MP11	24.5	XAFD48F	2	1375	46.5	31.4	—	12.50
AC19B48B21S	TM9Y100C16MP11	24.5	XAFD60J	1	1025	40.0	25.8	17.25	24.90
AC19B48B21S	TM9Y100C16MP11	24.5	XAFD60J	2	1400	48.0	32.4	—	12.75
AC19B48B21S	TM9Y100C16MP11	21.0	XAHC48F	1	1025	40.0	25.6	16.50	24.45
AC19B48B21S	TM9Y100C16MP11	21.0	XAHC48F	2	1375	46.5	31.8	—	12.50
AC19B48B21S	TM9Y100C16MP11	21.0	XAHC60G	1	1050	40.5	26.2	16.25	25.05
AC19B48B21S	TM9Y100C16MP11	21.0	XAHC60G	2	1400	46.5	32.6	—	12.50
AC19B48B21S	TM9Y100C16MP11	21.0	XAHC60H	1	1050	40.5	26.6	17.25	25.10
AC19B48B21S	TM9Y100C16MP11	21.0	XAHC60H	2	1400	47.5	33.0	—	13.00
AC19B48B21S	TM9Y100C16MP11	24.5	XAHD48F	1	1000	39.5	25.2	16.50	24.25
AC19B48B21S	TM9Y100C16MP11	24.5	XAHD48F	2	1375	46.5	31.4	—	12.50
AC19B48B21S	TM9Y100C16MP11	21.0	XAHD60G	1	1000	40.0	25.6	16.50	24.65
AC19B48B21S	TM9Y100C16MP11	21.0	XAHD60G	2	1375	46.5	32.6	—	12.50
AC19B48B21S	TM9Y100C16MP11	24.5	XAHD60H	1	1000	40.0	26.0	17.00	24.75
AC19B48B21S	TM9Y100C16MP11	24.5	XAHD60H	2	1400	47.5	32.8	—	12.75
AC19B48B21S	TM9Y100C16MP11	24.5	XAHD60J	1	1025	40.0	25.8	17.25	24.85
AC19B48B21S	TM9Y100C16MP11	24.5	XAHD60J	2	1375	48.0	32.2	—	12.75
AC19B48B21S	TM9Y100C20MP11	21.0	CF/CM/CU48C	1	1200	40.0	30.4	16.75	23.65
AC19B48B21S	TM9Y100C20MP11	21.0	CF/CM/CU48C	2	1350	48.0	34.8	16.75	13.00
AC19B48B21S	TM9Y100C20MP11	21.0	CF/CM/CU60C	1	1200	40.5	30.4	16.25	23.75
AC19B48B21S	TM9Y100C20MP11	21.0	CF/CM/CU60C	2	1325	47.5	34.6	16.25	13.00
AC19B48B21S	TM9Y100C20MP11	21.0	CF/CM64D	1	1375	41.0	32.0	16.25	23.15
AC19B48B21S	TM9Y100C20MP11	21.0	CF/CM64D	2	1525	48.0	36.4	16.25	13.00
AC19B48B21S	TM9Y100C20MP11	21.0	XAF/XAUC48F	1	1175	40.0	26.6	16.25	23.55
AC19B48B21S	TM9Y100C20MP11	21.0	XAF/XAUC48F	2	1525	47.0	33.0	—	12.50
AC19B48B21S	TM9Y100C20MP11	21.0	XAF/XAUC60G	1	1200	41.5	27.8	16.25	24.30
AC19B48B21S	TM9Y100C20MP11	21.0	XAF/XAUC60G	2	1525	47.0	33.4	—	12.50
AC19B48B21S	TM9Y100C20MP11	24.5	XAF/XAUD60G	1	1200	41.0	27.6	16.50	24.15
AC19B48B21S	TM9Y100C20MP11	24.5	XAF/XAUD60G	2	1550	47.0	33.2	—	12.75
AC19B48B21S	TM9Y100C20MP11	24.5	XAF/XAUD60H	1	1200	41.0	27.8	16.75	24.30
AC19B48B21S	TM9Y100C20MP11	24.5	XAF/XAUD60H	2	1525	48.0	33.4	—	12.75
AC19B48B21S	TM9Y100C20MP11	21.0	XAFC60H	1	1200	41.0	27.8	17.00	24.35
AC19B48B21S	TM9Y100C20MP11	21.0	XAFC60H	2	1550	48.0	34.0	—	12.75
AC19B48B21S	TM9Y100C20MP11	24.5	XAFD48F	1	1200	40.0	26.8	16.25	23.70
AC19B48B21S	TM9Y100C20MP11	24.5	XAFD48F	2	1525	47.0	32.6	—	12.50
AC19B48B21S	TM9Y100C20MP11	24.5	XAFD60J	1	1200	41.0	27.8	16.75	24.35
AC19B48B21S	TM9Y100C20MP11	24.5	XAFD60J	2	1550	48.0	33.6	—	12.75
AC19B48B21S	TM9Y100C20MP11	21.0	XAHC48F	1	1200	40.0	26.8	16.25	23.70
AC19B48B21S	TM9Y100C20MP11	21.0	XAHC48F	2	1525	47.0	33.0	—	12.50
AC19B48B21S	TM9Y100C20MP11	21.0	XAHC60G	1	1225	41.0	27.8	16.25	24.35
AC19B48B21S	TM9Y100C20MP11	21.0	XAHC60G	2	1550	47.0	33.6	—	12.50
AC19B48B21S	TM9Y100C20MP11	21.0	XAHC60H	1	1225	41.5	28.4	17.00	24.55
AC19B48B21S	TM9Y100C20MP11	21.0	XAHC60H	2	1550	48.0	33.8	—	12.75
AC19B48B21S	TM9Y100C20MP11	24.5	XAHD48F	1	1175	40.0	26.6	16.25	23.55
AC19B48B21S	TM9Y100C20MP11	24.5	XAHD48F	2	1525	47.0	32.8	—	12.50
AC19B48B21S	TM9Y100C20MP11	21.0	XAHD60G	1	1175	41.0	27.4	16.50	24.00
AC19B48B21S	TM9Y100C20MP11	21.0	XAHD60G	2	1525	47.0	33.4	—	12.50
AC19B48B21S	TM9Y100C20MP11	24.5	XAHD60H	1	1200	41.0	27.8	16.75	24.30

SYSTEM CAPACITY - With High Efficiency Motor Furnaces¹ (Continued)

UNIT MODEL	FURNACE MODEL	WIDTH	COIL MODEL ²	STAGE	COOLING				
					RATED CFM	NET MBH		SEER	EER
						TOTAL	SENS.		
AC19B48B21S	TM9Y100C20MP11	24.5	XAHD60H	2	1525	48.0	33.4	—	12.75
AC19B48B21S	TM9Y100C20MP11	24.5	XAHD60J	1	1200	41.0	27.8	16.75	24.35
AC19B48B21S	TM9Y100C20MP11	24.5	XAHD60J	2	1525	48.0	33.4	—	12.75
AC19B48B21S	TM9Y120D20MP11	24.5	CF/CM/CU48D	1	1275	39.5	31.0	16.75	23.75
AC19B48B21S	TM9Y120D20MP11	24.5	CF/CM/CU48D	2	1400	48.0	35.6	16.75	13.25
AC19B48B21S	TM9Y120D20MP11	24.5	CF/CM/CU60D	1	1275	40.5	31.4	16.75	24.15
AC19B48B21S	TM9Y120D20MP11	24.5	CF/CM/CU60D	2	1400	48.0	35.8	16.75	13.25
AC19B48B21S	TM9Y120D20MP11	24.5	CF/CM64D	1	1250	41.0	31.2	16.75	24.40
AC19B48B21S	TM9Y120D20MP11	24.5	CF/CM64D	2	1375	48.0	35.2	16.75	13.25
AC19B48B21S	TM9Y120D20MP11	24.5	XAF/XAUD60G	1	1000	40.5	25.8	17.00	25.30
AC19B48B21S	TM9Y120D20MP11	24.5	XAF/XAUD60G	2	1375	47.0	32.4	—	13.00
AC19B48B21S	TM9Y120D20MP11	24.5	XAF/XAUD60H	1	975	40.5	26.0	17.25	25.20
AC19B48B21S	TM9Y120D20MP11	24.5	XAF/XAUD60H	2	1375	47.5	32.6	—	13.25
AC19B48B21S	TM9Y120D20MP11	24.5	XAFD48F	1	975	39.5	25.0	16.75	24.75
AC19B48B21S	TM9Y120D20MP11	24.5	XAFD48F	2	1375	47.0	31.8	—	12.75
AC19B48B21S	TM9Y120D20MP11	24.5	XAFD60J	1	1025	40.0	25.8	17.50	25.45
AC19B48B21S	TM9Y120D20MP11	24.5	XAFD60J	2	1375	48.0	32.4	—	13.25
AC19B48B21S	TM9Y120D20MP11	24.5	XAHD48F	1	1000	39.5	25.2	16.75	24.70
AC19B48B21S	TM9Y120D20MP11	24.5	XAHD48F	2	1550	47.0	33.2	—	12.50
AC19B48B21S	TM9Y120D20MP11	21.0	XAHD60G	1	975	40.0	25.4	17.00	25.00
AC19B48B21S	TM9Y120D20MP11	21.0	XAHD60G	2	1350	47.0	32.2	—	13.00
AC19B48B21S	TM9Y120D20MP11	24.5	XAHD60H	1	1000	40.5	26.2	17.25	25.30
AC19B48B21S	TM9Y120D20MP11	24.5	XAHD60H	2	1375	47.5	32.6	—	13.25
AC19B48B21S	TM9Y120D20MP11	24.5	XAHD60J	1	1025	40.5	26.0	17.50	25.55
AC19B48B21S	TM9Y120D20MP11	24.5	XAHD60J	2	1550	48.0	34.0	—	13.00
AC19B48B21S	TMLE080C16MP11	21.0	XAF/XAUC48F	1	1000	39.5	25.2	16.50	24.45
AC19B48B21S	TMLE080C16MP11	21.0	XAF/XAUC48F	2	1550	47.0	33.2	—	12.25
AC19B48B21S	TMLE080C16MP11	21.0	XAF/XAUC60G	1	1025	40.0	25.8	16.50	25.15
AC19B48B21S	TMLE080C16MP11	21.0	XAF/XAUC60G	2	1575	47.0	33.8	—	12.50
AC19B48B21S	TMLE080C16MP11	24.5	XAF/XAUD60G	1	1000	40.0	25.6	16.50	25.05
AC19B48B21S	TMLE080C16MP11	24.5	XAF/XAUD60G	2	1575	47.0	33.4	—	12.50
AC19B48B21S	TMLE080C16MP11	24.5	XAF/XAUD60H	1	1000	40.0	25.8	17.25	25.10
AC19B48B21S	TMLE080C16MP11	24.5	XAF/XAUD60H	2	1575	48.0	33.8	—	12.75
AC19B48B21S	TMLE080C16MP11	21.0	XAFC60H	1	1025	40.5	26.4	17.50	25.30
AC19B48B21S	TMLE080C16MP11	21.0	XAFC60H	2	1575	48.0	34.2	—	12.75
AC19B48B21S	TMLE080C16MP11	24.5	XAFD48F	1	1000	39.5	25.2	16.50	24.50
AC19B48B21S	TMLE080C16MP11	24.5	XAFD48F	2	1575	47.0	33.0	—	12.25
AC19B48B21S	TMLE080C16MP11	24.5	XAFD60J	1	1025	40.5	26.0	17.50	25.30
AC19B48B21S	TMLE080C16MP11	24.5	XAFD60J	2	1575	48.0	33.8	—	12.75
AC19B48B21S	TMLE080C16MP11	21.0	XAHC48F	1	1025	39.5	25.4	16.50	24.65
AC19B48B21S	TMLE080C16MP11	21.0	XAHC48F	2	1550	47.0	33.2	—	12.25
AC19B48B21S	TMLE080C16MP11	21.0	XAHC60G	1	925	39.5	24.8	16.75	25.40
AC19B48B21S	TMLE080C16MP11	21.0	XAHC60G	2	1575	47.0	33.8	—	12.50
AC19B48B21S	TMLE080C16MP11	21.0	XAHC60H	1	1050	40.5	26.4	17.50	25.55
AC19B48B21S	TMLE080C16MP11	21.0	XAHC60H	2	1575	48.0	34.2	—	12.75
AC19B48B21S	TMLE080C16MP11	24.5	XAHD48F	1	1000	39.5	25.2	16.50	24.45
AC19B48B21S	TMLE080C16MP11	24.5	XAHD48F	2	1575	47.0	33.0	—	12.25
AC19B48B21S	TMLE080C16MP11	21.0	XAHD60G	1	1000	40.0	25.6	16.50	24.95
AC19B48B21S	TMLE080C16MP11	21.0	XAHD60G	2	1550	47.0	33.8	—	12.50
AC19B48B21S	TMLE080C16MP11	24.5	XAHD60H	1	1000	40.0	25.8	17.25	25.15
AC19B48B21S	TMLE080C16MP11	24.5	XAHD60H	2	1575	48.0	33.8	—	12.75

SYSTEM CAPACITY - With High Efficiency Motor Furnaces¹ (Continued)

UNIT MODEL	FURNACE MODEL	WIDTH	COIL MODEL ²	STAGE	COOLING				
					RATED CFM	NET MBH		SEER	EER
						TOTAL	SENS.		
AC19B48B21S	TMLE080C16MP11	24.5	XAHD60J	1	1025	40.5	26.0	17.50	25.30
AC19B48B21S	TMLE080C16MP11	24.5	XAHD60J	2	1550	48.0	33.6	—	12.75
AC19B48B21S	TMLE080C20MP11	21.0	XAF/XAUC48F	1	1275	41.0	27.8	16.50	24.20
AC19B48B21S	TMLE080C20MP11	21.0	XAF/XAUC48F	2	1725	47.5	34.6	—	12.25
AC19B48B21S	TMLE080C20MP11	21.0	XAF/XAUC60G	1	1250	41.5	28.2	16.50	24.50
AC19B48B21S	TMLE080C20MP11	21.0	XAF/XAUC60G	2	1450	47.5	32.8	—	13.00
AC19B48B21S	TMLE080C20MP11	24.5	XAF/XAUD60G	1	1250	41.5	28.2	16.50	24.50
AC19B48B21S	TMLE080C20MP11	24.5	XAF/XAUD60G	2	1450	47.5	32.4	—	13.00
AC19B48B21S	TMLE080C20MP11	24.5	XAF/XAUD60H	1	1275	41.5	28.6	17.25	24.70
AC19B48B21S	TMLE080C20MP11	24.5	XAF/XAUD60H	2	1550	48.0	33.4	—	13.25
AC19B48B21S	TMLE080C20MP11	21.0	XAFC60H	1	1275	41.5	28.6	17.25	24.75
AC19B48B21S	TMLE080C20MP11	21.0	XAFC60H	2	1550	48.0	33.8	—	13.25
AC19B48B21S	TMLE080C20MP11	24.5	XAFD48F	1	1275	40.5	27.4	16.50	24.05
AC19B48B21S	TMLE080C20MP11	24.5	XAFD48F	2	1550	47.0	32.8	—	12.50
AC19B48B21S	TMLE080C20MP11	24.5	XAFD60J	1	1300	41.5	28.6	17.25	24.95
AC19B48B21S	TMLE080C20MP11	24.5	XAFD60J	2	1750	48.0	35.0	—	12.75
AC19B48B21S	TMLE080C20MP11	21.0	XAHC48F	1	1275	41.0	27.6	16.50	24.35
AC19B48B21S	TMLE080C20MP11	21.0	XAHC48F	2	1700	47.5	34.4	—	12.25
AC19B48B21S	TMLE080C20MP11	21.0	XAHC60G	1	1300	41.5	28.4	16.25	24.70
AC19B48B21S	TMLE080C20MP11	21.0	XAHC60G	2	1550	47.5	33.4	—	12.75
AC19B48B21S	TMLE080C20MP11	21.0	XAHC60H	1	1300	41.5	28.8	17.25	24.90
AC19B48B21S	TMLE080C20MP11	21.0	XAHC60H	2	1550	48.0	33.8	—	13.25
AC19B48B21S	TMLE080C20MP11	24.5	XAHD48F	1	1275	41.0	27.6	16.50	24.20
AC19B48B21S	TMLE080C20MP11	24.5	XAHD48F	2	1725	47.5	34.2	—	12.25
AC19B48B21S	TMLE080C20MP11	21.0	XAHD60G	1	1250	41.5	28.2	16.50	24.45
AC19B48B21S	TMLE080C20MP11	21.0	XAHD60G	2	1525	47.5	33.4	—	13.00
AC19B48B21S	TMLE080C20MP11	24.5	XAHD60H	1	1275	41.5	28.6	17.25	24.75
AC19B48B21S	TMLE080C20MP11	24.5	XAHD60H	2	1550	48.0	33.4	—	13.25
AC19B48B21S	TMLE080C20MP11	24.5	XAHD60J	1	1275	41.5	28.6	17.25	24.75
AC19B48B21S	TMLE080C20MP11	24.5	XAHD60J	2	1525	48.0	33.2	—	13.00
AC19B48B21S	TMLE100C16MP11	21.0	XAF/XAUC48F	1	975	39.0	24.8	16.50	24.40
AC19B48B21S	TMLE100C16MP11	21.0	XAF/XAUC48F	2	1550	47.0	33.2	—	12.25
AC19B48B21S	TMLE100C16MP11	21.0	XAF/XAUC60G	1	1000	40.0	25.6	16.50	25.10
AC19B48B21S	TMLE100C16MP11	21.0	XAF/XAUC60G	2	1575	47.0	33.8	—	12.50
AC19B48B21S	TMLE100C16MP11	24.5	XAF/XAUD60G	1	1000	40.0	25.6	16.50	25.10
AC19B48B21S	TMLE100C16MP11	24.5	XAF/XAUD60G	2	1575	47.0	33.4	—	12.50
AC19B48B21S	TMLE100C16MP11	24.5	XAF/XAUD60H	1	975	40.0	25.8	17.00	25.00
AC19B48B21S	TMLE100C16MP11	24.5	XAF/XAUD60H	2	1575	48.0	33.8	—	12.75
AC19B48B21S	TMLE100C16MP11	21.0	XAFC60H	1	1000	40.0	25.8	17.25	25.25
AC19B48B21S	TMLE100C16MP11	21.0	XAFC60H	2	1575	48.0	34.2	—	12.75
AC19B48B21S	TMLE100C16MP11	24.5	XAFD48F	1	975	39.0	24.8	16.50	24.40
AC19B48B21S	TMLE100C16MP11	24.5	XAFD48F	2	1575	47.0	33.0	—	12.25
AC19B48B21S	TMLE100C16MP11	24.5	XAFD60J	1	1025	40.5	26.0	17.50	25.40
AC19B48B21S	TMLE100C16MP11	24.5	XAFD60J	2	1575	48.0	33.8	—	12.75
AC19B48B21S	TMLE100C16MP11	21.0	XAHC48F	1	1000	39.5	25.2	16.50	24.55
AC19B48B21S	TMLE100C16MP11	21.0	XAHC48F	2	1550	47.0	33.2	—	12.25
AC19B48B21S	TMLE100C16MP11	21.0	XAHC60G	1	900	39.5	24.6	16.75	25.35
AC19B48B21S	TMLE100C16MP11	21.0	XAHC60G	2	1575	47.0	33.8	—	12.50
AC19B48B21S	TMLE100C16MP11	21.0	XAHC60H	1	1050	40.5	26.4	17.50	25.60
AC19B48B21S	TMLE100C16MP11	21.0	XAHC60H	2	1575	48.0	34.2	—	12.75
AC19B48B21S	TMLE100C16MP11	24.5	XAHD48F	1	975	39.0	24.8	16.50	24.40

SYSTEM CAPACITY - With High Efficiency Motor Furnaces¹ (Continued)

UNIT MODEL	FURNACE MODEL	WIDTH	COIL MODEL ²	STAGE	COOLING				
					RATED CFM	NET MBH		SEER	EER
						TOTAL	SENS.		
AC19B48B21S	TMLE100C16MP11	24.5	XAHD48F	2	1550	47.0	33.0	—	12.25
AC19B48B21S	TMLE100C16MP11	21.0	XAHD60G	1	975	40.0	25.4	16.50	24.90
AC19B48B21S	TMLE100C16MP11	21.0	XAHD60G	2	1550	47.0	33.8	—	12.50
AC19B48B21S	TMLE100C16MP11	24.5	XAHD60H	1	1000	40.0	25.8	17.00	25.20
AC19B48B21S	TMLE100C16MP11	24.5	XAHD60H	2	1575	48.0	33.8	—	12.75
AC19B48B21S	TMLE100C16MP11	24.5	XAHD60J	1	1000	40.0	25.6	17.25	25.25
AC19B48B21S	TMLE100C16MP11	24.5	XAHD60J	2	1550	48.0	33.6	—	12.75
AC19B48B21S	TMLE100C20MP11	21.0	XAF/XAUC48F	1	1250	41.0	27.6	16.50	24.00
AC19B48B21S	TMLE100C20MP11	21.0	XAF/XAUC48F	2	1500	47.0	32.8	—	12.75
AC19B48B21S	TMLE100C20MP11	21.0	XAF/XAUC60G	1	1275	41.5	28.4	16.25	24.55
AC19B48B21S	TMLE100C20MP11	21.0	XAF/XAUC60G	2	1500	47.5	33.2	—	13.00
AC19B48B21S	TMLE100C20MP11	24.5	XAF/XAUD60G	1	1275	41.5	28.2	16.50	24.55
AC19B48B21S	TMLE100C20MP11	24.5	XAF/XAUD60G	2	1525	47.5	33.0	—	13.00
AC19B48B21S	TMLE100C20MP11	24.5	XAF/XAUD60H	1	1250	41.5	28.4	17.00	24.60
AC19B48B21S	TMLE100C20MP11	24.5	XAF/XAUD60H	2	1500	48.0	33.2	—	13.25
AC19B48B21S	TMLE100C20MP11	21.0	XAFC60H	1	1275	41.5	28.6	17.25	24.70
AC19B48B21S	TMLE100C20MP11	21.0	XAFC60H	2	1525	48.0	34.6	—	13.25
AC19B48B21S	TMLE100C20MP11	24.5	XAFD48F	1	1250	41.0	27.6	16.50	24.05
AC19B48B21S	TMLE100C20MP11	24.5	XAFD48F	2	1500	47.0	32.4	—	12.50
AC19B48B21S	TMLE100C20MP11	24.5	XAFD60J	1	1275	41.5	28.6	17.25	24.70
AC19B48B21S	TMLE100C20MP11	24.5	XAFD60J	2	1500	48.0	33.0	—	13.25
AC19B48B21S	TMLE100C20MP11	21.0	XAHC48F	1	1250	41.0	27.6	16.50	24.05
AC19B48B21S	TMLE100C20MP11	21.0	XAHC48F	2	1500	47.0	32.8	—	12.75
AC19B48B21S	TMLE100C20MP11	21.0	XAHC60G	1	1275	41.5	28.2	16.25	24.60
AC19B48B21S	TMLE100C20MP11	21.0	XAHC60G	2	1525	47.5	33.2	—	13.00
AC19B48B21S	TMLE100C20MP11	21.0	XAHC60H	1	1300	41.5	28.8	17.25	24.90
AC19B48B21S	TMLE100C20MP11	21.0	XAHC60H	2	1525	48.0	33.6	—	13.25
AC19B48B21S	TMLE100C20MP11	24.5	XAHD48F	1	1250	41.0	27.6	16.50	24.05
AC19B48B21S	TMLE100C20MP11	24.5	XAHD48F	2	1500	47.0	32.4	—	12.50
AC19B48B21S	TMLE100C20MP11	21.0	XAHD60G	1	1225	41.0	27.8	16.50	24.30
AC19B48B21S	TMLE100C20MP11	21.0	XAHD60G	2	1400	47.0	32.4	—	13.00
AC19B48B21S	TMLE100C20MP11	24.5	XAHD60H	1	1250	41.5	28.4	17.00	24.65
AC19B48B21S	TMLE100C20MP11	24.5	XAHD60H	2	1500	48.0	33.2	—	13.25
AC19B48B21S	TMLE100C20MP11	24.5	XAHD60J	1	1250	41.5	28.4	17.25	24.65
AC19B48B21S	TMLE100C20MP11	24.5	XAHD60J	2	1500	48.0	33.0	—	13.25
AC19B48B21S	TMLE120C16MP11	21.0	XAF/XAUC48F	1	1000	39.5	25.2	16.50	24.50
AC19B48B21S	TMLE120C16MP11	21.0	XAF/XAUC48F	2	1550	47.0	33.2	—	12.25
AC19B48B21S	TMLE120C16MP11	21.0	XAF/XAUC60G	1	1025	40.0	25.8	16.50	25.25
AC19B48B21S	TMLE120C16MP11	21.0	XAF/XAUC60G	2	1575	47.5	33.8	—	12.50
AC19B48B21S	TMLE120C16MP11	24.5	XAF/XAUD60G	1	1000	40.0	25.6	16.50	25.10
AC19B48B21S	TMLE120C16MP11	24.5	XAF/XAUD60G	2	1575	47.5	33.4	—	12.50
AC19B48B21S	TMLE120C16MP11	24.5	XAF/XAUD60H	1	1000	40.0	25.8	17.25	25.20
AC19B48B21S	TMLE120C16MP11	24.5	XAF/XAUD60H	2	1575	48.0	33.8	—	12.75
AC19B48B21S	TMLE120C16MP11	21.0	XAFC60H	1	1025	40.5	26.2	17.50	25.35
AC19B48B21S	TMLE120C16MP11	21.0	XAFC60H	2	1575	48.0	34.2	—	12.75
AC19B48B21S	TMLE120C16MP11	24.5	XAFD48F	1	1000	39.5	25.2	16.50	24.55
AC19B48B21S	TMLE120C16MP11	24.5	XAFD48F	2	1575	47.0	33.0	—	12.25
AC19B48B21S	TMLE120C16MP11	24.5	XAFD60J	1	1025	40.5	26.0	17.50	25.40
AC19B48B21S	TMLE120C16MP11	24.5	XAFD60J	2	1575	48.0	33.8	—	12.75
AC19B48B21S	TMLE120C16MP11	21.0	XAHC48F	1	1025	39.5	25.4	16.50	24.70
AC19B48B21S	TMLE120C16MP11	21.0	XAHC48F	2	1550	47.0	33.2	—	12.25

SYSTEM CAPACITY - With High Efficiency Motor Furnaces¹ (Continued)

UNIT MODEL	FURNACE MODEL	WIDTH	COIL MODEL ²	STAGE	COOLING				
					RATED CFM	NET MBH		SEER	EER
						TOTAL	SENS.		
AC19B48B21S	TMLE120C16MP11	21.0	XAHC60G	1	1050	40.5	26.2	16.50	25.45
AC19B48B21S	TMLE120C16MP11	21.0	XAHC60G	2	1575	47.5	33.8	—	12.50
AC19B48B21S	TMLE120C16MP11	21.0	XAHC60H	1	1050	40.5	26.4	17.50	25.60
AC19B48B21S	TMLE120C16MP11	21.0	XAHC60H	2	1575	48.0	34.2	—	12.75
AC19B48B21S	TMLE120C16MP11	24.5	XAHD48F	1	1000	39.5	25.2	16.50	24.50
AC19B48B21S	TMLE120C16MP11	24.5	XAHD48F	2	1575	47.0	33.0	—	12.25
AC19B48B21S	TMLE120C16MP11	21.0	XAHD60G	1	1000	40.0	25.6	16.50	25.05
AC19B48B21S	TMLE120C16MP11	21.0	XAHD60G	2	1575	47.0	33.8	—	12.50
AC19B48B21S	TMLE120C16MP11	24.5	XAHD60H	1	1000	40.0	25.8	17.25	25.20
AC19B48B21S	TMLE120C16MP11	24.5	XAHD60H	2	1575	48.0	33.8	—	12.75
AC19B48B21S	TMLE120C16MP11	24.5	XAHD60J	1	1025	40.5	26.0	17.50	25.35
AC19B48B21S	TMLE120C16MP11	24.5	XAHD60J	2	1575	48.0	33.8	—	12.75
AC19B48B21S	TMLE120C20MP11	21.0	XAF/XAUC48F	1	1275	40.5	27.4	16.25	23.70
AC19B48B21S	TMLE120C20MP11	21.0	XAF/XAUC48F	2	1475	47.0	32.6	—	12.75
AC19B48B21S	TMLE120C20MP11	21.0	XAF/XAUC60G	1	1300	41.5	28.6	16.25	24.30
AC19B48B21S	TMLE120C20MP11	21.0	XAF/XAUC60G	2	1500	47.5	33.0	—	13.00
AC19B48B21S	TMLE120C20MP11	24.5	XAF/XAUD60G	1	1300	41.5	28.6	16.75	24.30
AC19B48B21S	TMLE120C20MP11	24.5	XAF/XAUD60G	2	1500	47.5	32.8	—	13.00
AC19B48B21S	TMLE120C20MP11	24.5	XAF/XAUD60H	1	1275	41.5	28.6	17.00	24.45
AC19B48B21S	TMLE120C20MP11	24.5	XAF/XAUD60H	2	1500	48.0	33.2	—	13.25
AC19B48B21S	TMLE120C20MP11	21.0	XAFC60H	1	1300	42.0	29.2	17.25	24.55
AC19B48B21S	TMLE120C20MP11	21.0	XAFC60H	2	1500	48.0	34.2	—	13.25
AC19B48B21S	TMLE120C20MP11	24.5	XAFD48F	1	1275	41.0	27.8	16.50	23.85
AC19B48B21S	TMLE120C20MP11	24.5	XAFD48F	2	1500	47.5	32.6	—	12.75
AC19B48B21S	TMLE120C20MP11	24.5	XAFD60J	1	1300	41.5	28.8	17.25	24.55
AC19B48B21S	TMLE120C20MP11	24.5	XAFD60J	2	1500	48.0	33.0	—	13.25
AC19B48B21S	TMLE120C20MP11	21.0	XAHC48F	1	1275	41.0	27.8	16.25	23.75
AC19B48B21S	TMLE120C20MP11	21.0	XAHC48F	2	1475	47.0	32.6	—	12.75
AC19B48B21S	TMLE120C20MP11	21.0	XAHC60G	1	1300	41.5	28.6	16.25	24.40
AC19B48B21S	TMLE120C20MP11	21.0	XAHC60G	2	1500	47.5	33.0	—	13.00
AC19B48B21S	TMLE120C20MP11	21.0	XAHC60H	1	1325	41.5	29.0	17.25	24.65
AC19B48B21S	TMLE120C20MP11	21.0	XAHC60H	2	1525	48.0	33.6	—	13.25
AC19B48B21S	TMLE120C20MP11	24.5	XAHD48F	1	1275	41.0	27.8	16.50	23.85
AC19B48B21S	TMLE120C20MP11	24.5	XAHD48F	2	1500	47.0	32.4	—	12.75
AC19B48B21S	TMLE120C20MP11	21.0	XAHD60G	1	1275	41.5	28.4	16.75	24.20
AC19B48B21S	TMLE120C20MP11	21.0	XAHD60G	2	1475	47.0	33.0	—	13.00
AC19B48B21S	TMLE120C20MP11	24.5	XAHD60H	1	1300	42.0	29.2	17.00	24.50
AC19B48B21S	TMLE120C20MP11	24.5	XAHD60H	2	1500	48.0	33.2	—	13.25
AC19B48B21S	TMLE120C20MP11	24.5	XAHD60J	1	1300	41.5	28.8	17.25	24.50
AC19B48B21S	TMLE120C20MP11	24.5	XAHD60J	2	1500	48.0	33.0	—	13.25
AC19B48B21S	TMLE130D20MP11	24.5	XAF/XAUD60G	1	1300	41.5	28.6	16.50	24.45
AC19B48B21S	TMLE130D20MP11	24.5	XAF/XAUD60G	2	1625	47.5	34.0	—	12.75
AC19B48B21S	TMLE130D20MP11	24.5	XAF/XAUD60H	1	1300	42.0	29.2	17.00	24.65
AC19B48B21S	TMLE130D20MP11	24.5	XAF/XAUD60H	2	1625	48.0	34.2	—	13.00
AC19B48B21S	TMLE130D20MP11	24.5	XAFD48F	1	1300	40.5	27.6	16.25	23.95
AC19B48B21S	TMLE130D20MP11	24.5	XAFD48F	2	1625	47.5	33.8	—	12.50
AC19B48B21S	TMLE130D20MP11	24.5	XAFD60J	1	1325	41.5	28.8	17.25	24.75
AC19B48B21S	TMLE130D20MP11	24.5	XAFD60J	2	1625	48.0	34.4	—	13.00
AC19B48B21S	TMLE130D20MP11	24.5	XAHD48F	1	1300	41.0	27.8	16.25	24.05
AC19B48B21S	TMLE130D20MP11	24.5	XAHD48F	2	1600	47.5	33.8	—	12.50
AC19B48B21S	TMLE130D20MP11	21.0	XAHD60G	1	1300	41.5	28.6	16.50	24.35

SYSTEM CAPACITY - With High Efficiency Motor Furnaces¹ (Continued)

UNIT MODEL	FURNACE MODEL	WIDTH	COIL MODEL ²	STAGE	COOLING				
					RATED CFM	NET MBH		SEER	EER
						TOTAL	SENS.		
AC19B48B21S	TMLE130D20MP11	21.0	XAHD60G	2	1600	47.5	33.8	—	12.75
AC19B48B21S	TMLE130D20MP11	24.5	XAHD60H	1	1300	42.0	29.2	17.00	24.65
AC19B48B21S	TMLE130D20MP11	24.5	XAHD60H	2	1625	48.0	34.2	—	13.00
AC19B48B21S	TMLE130D20MP11	24.5	XAHD60J	1	1300	41.5	28.8	17.25	24.60
AC19B48B21S	TMLE130D20MP11	24.5	XAHD60J	2	1600	48.0	35.2	—	13.00
AC19B48B21S	TMLV080C16MP11C	21.0	CF/CM/CU48C	1	875	38.5	26.0	17.00	24.40
AC19B48B21S	TMLV080C16MP11C	21.0	CF/CM/CU48C	2	1375	48.0	35.0	17.00	13.00
AC19B48B21S	TMLV080C16MP11C	21.0	CF/CM/CU60C	1	900	38.5	26.4	16.75	24.45
AC19B48B21S	TMLV080C16MP11C	21.0	CF/CM/CU60C	2	1425	48.0	35.6	16.75	13.00
AC19B48B21S	TMLV080C16MP11C	21.0	CF/CM64D	1	975	39.5	27.4	17.00	24.85
AC19B48B21S	TMLV080C16MP11C	21.0	CF/CM64D	2	1425	48.0	35.6	17.00	13.00
AC19B48B21S	TMLV080C16MP12C	21.0	CF/CM/CU48C	1	875	38.5	26.0	17.00	24.40
AC19B48B21S	TMLV080C16MP12C	21.0	CF/CM/CU48C	2	1375	48.0	35.0	17.00	13.00
AC19B48B21S	TMLV080C16MP12C	21.0	CF/CM/CU60C	1	900	38.5	26.4	16.75	24.45
AC19B48B21S	TMLV080C16MP12C	21.0	CF/CM/CU60C	2	1425	48.0	35.6	16.75	13.00
AC19B48B21S	TMLV080C16MP12C	21.0	CF/CM64D	1	975	39.5	27.4	17.00	24.85
AC19B48B21S	TMLV080C16MP12C	21.0	CF/CM64D	2	1425	48.0	35.6	17.00	13.00
AC19B48B21S	TMLV100C16MP11C	21.0	CF/CM/CU48C	1	875	38.5	26.0	17.00	24.40
AC19B48B21S	TMLV100C16MP11C	21.0	CF/CM/CU48C	2	1375	48.0	35.0	17.00	13.00
AC19B48B21S	TMLV100C16MP11C	21.0	CF/CM/CU60C	1	900	38.5	26.4	16.75	24.45
AC19B48B21S	TMLV100C16MP11C	21.0	CF/CM/CU60C	2	1425	48.0	35.6	16.75	13.00
AC19B48B21S	TMLV100C16MP11C	21.0	CF/CM64D	1	975	39.5	27.4	17.00	24.85
AC19B48B21S	TMLV100C16MP11C	21.0	CF/CM64D	2	1425	48.0	35.6	17.00	13.00
AC19B48B21S	TMLV100C16MP12C	21.0	CF/CM/CU48C	1	875	38.5	26.0	17.00	24.40
AC19B48B21S	TMLV100C16MP12C	21.0	CF/CM/CU48C	2	1375	48.0	35.0	17.00	13.00
AC19B48B21S	TMLV100C16MP12C	21.0	CF/CM/CU60C	1	900	38.5	26.4	16.75	24.45
AC19B48B21S	TMLV100C16MP12C	21.0	CF/CM/CU60C	2	1425	48.0	35.6	16.75	13.00
AC19B48B21S	TMLV100C16MP12C	21.0	CF/CM64D	1	975	39.5	27.4	17.00	24.85
AC19B48B21S	TMLV100C16MP12C	21.0	CF/CM64D	2	1425	48.0	35.6	17.00	13.00
AC19B48B21S	TMLV100C16MP12C	21.0	XAF/XAUC48F	1	900	38.5	24.0	16.75	24.10
AC19B48B21S	TMLV100C16MP12C	21.0	XAF/XAUC48F	2	1425	47.0	32.4	—	12.50
AC19B48B21S	TMLV100C16MP12C	21.0	XAF/XAUC60G	1	975	39.5	25.2	16.75	24.80
AC19B48B21S	TMLV100C16MP12C	21.0	XAF/XAUC60G	2	1425	47.0	32.8	—	12.75
AC19B48B21S	TMLV100C16MP12C	24.5	XAF/XAUD60G	1	900	39.0	24.4	16.75	24.75
AC19B48B21S	TMLV100C16MP12C	24.5	XAF/XAUD60G	2	1425	47.0	32.4	—	12.75
AC19B48B21S	TMLV100C16MP12C	24.5	XAF/XAUD60H	1	975	40.0	25.8	17.00	24.75
AC19B48B21S	TMLV100C16MP12C	24.5	XAF/XAUD60H	2	1425	47.5	32.8	—	13.00
AC19B48B21S	TMLV100C16MP12C	21.0	XAFC60H	1	975	40.0	25.8	17.25	24.95
AC19B48B21S	TMLV100C16MP12C	21.0	XAFC60H	2	1425	47.5	33.0	—	13.00
AC19B48B21S	TMLV100C16MP12C	24.5	XAFD48F	1	900	38.5	24.0	16.50	24.10
AC19B48B21S	TMLV100C16MP12C	24.5	XAFD48F	2	1425	47.0	32.0	—	12.75
AC19B48B21S	TMLV100C16MP12C	24.5	XAFD60J	1	975	40.0	25.4	17.25	25.00
AC19B48B21S	TMLV100C16MP12C	24.5	XAFD60J	2	1425	48.0	32.6	—	13.00
AC19B48B21S	TMLV100C16MP12C	21.0	XAHC48F	1	900	38.5	24.0	16.75	24.30
AC19B48B21S	TMLV100C16MP12C	21.0	XAHC48F	2	1425	47.0	32.4	—	12.50
AC19B48B21S	TMLV100C16MP12C	21.0	XAHC60G	1	900	39.5	24.6	17.00	25.30
AC19B48B21S	TMLV100C16MP12C	21.0	XAHC60G	2	1375	46.5	32.4	—	13.00
AC19B48B21S	TMLV100C16MP12C	21.0	XAHC60H	1	975	40.0	25.6	17.50	25.30
AC19B48B21S	TMLV100C16MP12C	21.0	XAHC60H	2	1425	48.0	33.0	—	13.00
AC19B48B21S	TMLV100C16MP12C	24.5	XAHD48F	1	900	38.5	24.0	16.75	24.10
AC19B48B21S	TMLV100C16MP12C	24.5	XAHD48F	2	1425	47.0	32.0	—	12.50

SYSTEM CAPACITY - With High Efficiency Motor Furnaces¹ (Continued)

UNIT MODEL	FURNACE MODEL	WIDTH	COIL MODEL ²	STAGE	COOLING				
					RATED CFM	NET MBH		SEER	EER
						TOTAL	SENS.		
AC19B48B21S	TMLV100C16MP12C	21.0	XAHD60G	1	1000	40.0	25.6	16.75	24.55
AC19B48B21S	TMLV100C16MP12C	21.0	XAHD60G	2	1425	47.0	32.8	—	12.50
AC19B48B21S	TMLV100C16MP12C	24.5	XAHD60H	1	975	40.0	25.8	17.00	24.85
AC19B48B21S	TMLV100C16MP12C	24.5	XAHD60H	2	1425	47.5	32.8	—	13.00
AC19B48B21S	TMLV100C16MP12C	24.5	XAHD60J	1	975	40.0	25.4	17.25	24.95
AC19B48B21S	TMLV100C16MP12C	24.5	XAHD60J	2	1425	48.0	32.6	—	13.00
AC19B48B21S	TMLV100C20MP11C	21.0	CF/CM/CU48C	1	925	39.0	26.4	17.25	24.95
AC19B48B21S	TMLV100C20MP11C	21.0	CF/CM/CU48C	2	1375	48.0	35.0	17.25	13.25
AC19B48B21S	TMLV100C20MP11C	21.0	CF/CM/CU60C	1	1075	40.0	29.0	17.00	25.05
AC19B48B21S	TMLV100C20MP11C	21.0	CF/CM/CU60C	2	1550	48.0	37.0	17.00	13.00
AC19B48B21S	TMLV100C20MP11C	21.0	CF/CM64D	1	975	40.0	28.0	17.25	25.30
AC19B48B21S	TMLV100C20MP11C	21.0	CF/CM64D	2	1425	48.0	35.6	17.25	13.25
AC19B48B21S	TMLV100C20MP12C	21.0	CF/CM/CU48C	1	925	39.0	26.4	17.25	24.95
AC19B48B21S	TMLV100C20MP12C	21.0	CF/CM/CU48C	2	1375	48.0	35.0	17.25	13.25
AC19B48B21S	TMLV100C20MP12C	21.0	CF/CM/CU60C	1	1075	40.0	29.0	17.00	25.05
AC19B48B21S	TMLV100C20MP12C	21.0	CF/CM/CU60C	2	1550	48.0	37.0	17.00	13.00
AC19B48B21S	TMLV100C20MP12C	21.0	CF/CM64D	1	975	40.0	28.0	17.25	25.30
AC19B48B21S	TMLV100C20MP12C	21.0	CF/CM64D	2	1425	48.0	35.6	17.25	13.25
AC19B48B21S	TMLV120C20MP11C	21.0	CF/CM/CU48C	1	925	39.0	26.4	17.25	24.95
AC19B48B21S	TMLV120C20MP11C	21.0	CF/CM/CU48C	2	1375	48.0	35.0	17.25	13.25
AC19B48B21S	TMLV120C20MP11C	21.0	CF/CM/CU60C	1	1075	40.0	29.0	17.00	25.05
AC19B48B21S	TMLV120C20MP11C	21.0	CF/CM/CU60C	2	1550	48.0	37.0	17.00	13.00
AC19B48B21S	TMLV120C20MP11C	21.0	CF/CM64D	1	975	40.0	28.0	17.25	25.30
AC19B48B21S	TMLV120C20MP11C	21.0	CF/CM64D	2	1425	48.0	35.6	17.25	13.25
AC19B48B21S	TMLV120C20MP12C	21.0	CF/CM/CU48C	1	925	39.0	26.4	17.25	24.95
AC19B48B21S	TMLV120C20MP12C	21.0	CF/CM/CU48C	2	1375	48.0	35.0	17.25	13.25
AC19B48B21S	TMLV120C20MP12C	21.0	CF/CM/CU60C	1	1075	40.0	29.0	17.00	25.05
AC19B48B21S	TMLV120C20MP12C	21.0	CF/CM/CU60C	2	1550	48.0	37.0	17.00	13.00
AC19B48B21S	TMLV120C20MP12C	21.0	CF/CM64D	1	975	40.0	28.0	17.25	25.30
AC19B48B21S	TMLV120C20MP12C	21.0	CF/CM64D	2	1425	48.0	35.6	17.25	13.25
AC19B48B21S	TMLV120C20MP12C	21.0	XAF/XAUC60G	1	975	40.0	25.4	17.00	25.25
AC19B48B21S	TMLV120C20MP12C	21.0	XAF/XAUC60G	2	1425	47.0	32.6	—	13.00
AC19B48B21S	TMLV120C20MP12C	24.5	XAF/XAUD60G	1	975	40.0	25.4	17.00	25.20
AC19B48B21S	TMLV120C20MP12C	24.5	XAF/XAUD60G	2	1425	47.0	32.2	—	13.00
AC19B48B21S	TMLV120C20MP12C	24.5	XAF/XAUD60H	1	1225	41.5	28.2	17.25	24.95
AC19B48B21S	TMLV120C20MP12C	24.5	XAF/XAUD60H	2	1775	48.0	35.2	—	12.50
AC19B48B21S	TMLV120C20MP12C	21.0	XAFC60H	1	975	40.0	25.6	17.50	25.35
AC19B48B21S	TMLV120C20MP12C	21.0	XAFC60H	2	1425	48.0	33.0	—	13.25
AC19B48B21S	TMLV120C20MP12C	24.5	XAFD48F	1	1225	40.5	27.2	16.75	24.30
AC19B48B21S	TMLV120C20MP12C	24.5	XAFD48F	2	1775	47.5	34.6	—	12.25
AC19B48B21S	TMLV120C20MP12C	24.5	XAFD60J	1	1000	40.0	25.6	17.50	25.45
AC19B48B21S	TMLV120C20MP12C	24.5	XAFD60J	2	1450	48.0	32.6	—	13.25
AC19B48B21S	TMLV120C20MP12C	21.0	XAHC48F	1	975	39.5	25.0	17.00	24.70
AC19B48B21S	TMLV120C20MP12C	21.0	XAHC48F	2	1425	47.0	32.2	—	12.75
AC19B48B21S	TMLV120C20MP12C	21.0	XAHC60G	1	1000	40.5	25.8	17.25	25.60
AC19B48B21S	TMLV120C20MP12C	21.0	XAHC60G	2	1450	47.5	32.8	—	13.00
AC19B48B21S	TMLV120C20MP12C	21.0	XAHC60H	1	925	40.0	25.2	17.50	25.70
AC19B48B21S	TMLV120C20MP12C	21.0	XAHC60H	2	1375	48.0	32.6	—	13.50
AC19B48B21S	TMLV120C20MP12C	24.5	XAHD60H	1	975	40.0	25.6	17.25	25.30
AC19B48B21S	TMLV120C20MP12C	24.5	XAHD60H	2	1425	48.0	32.6	—	13.25
AC19B48B21S	TMLV120C20MP12C	24.5	XAHD60J	1	975	40.0	25.4	17.50	25.35

SYSTEM CAPACITY - With High Efficiency Motor Furnaces¹ (Continued)

UNIT MODEL	FURNACE MODEL	WIDTH	COIL MODEL ²	STAGE	COOLING				
					RATED CFM	NET MBH		SEER	EER
						TOTAL	SENS.		
AC19B48B21S	TMLV120C20MP12C	24.5	XAHD60J	2	1425	48.0	32.4	—	13.25
AC19B48B21S	TMLX080C16MP11	21.0	CF/CM/CU48C	1	1000	39.5	27.6	17.00	24.60
AC19B48B21S	TMLX080C16MP11	21.0	CF/CM/CU48C	2	1350	48.0	34.8	17.00	13.00
AC19B48B21S	TMLX080C16MP11	21.0	CF/CM/CU48D	1	1025	39.5	27.8	17.00	24.70
AC19B48B21S	TMLX080C16MP11	21.0	CF/CM/CU48D	2	1375	48.0	35.0	17.00	13.00
AC19B48B21S	TMLX080C16MP11	21.0	CF/CM/CU60C	1	1000	39.0	27.2	16.75	24.10
AC19B48B21S	TMLX080C16MP11	21.0	CF/CM/CU60C	2	1350	47.0	34.0	16.75	12.75
AC19B48B21S	TMLX080C16MP11	21.0	CF/CM/CU60D	1	1025	38.5	27.4	16.50	24.30
AC19B48B21S	TMLX080C16MP11	21.0	CF/CM/CU60D	2	1375	47.5	34.4	16.50	13.00
AC19B48B21S	TMLX080C16MP11	21.0	CF/CM64D	1	1000	39.0	27.6	16.75	24.65
AC19B48B21S	TMLX080C16MP11	21.0	CF/CM64D	2	1350	48.0	34.8	16.75	13.00
AC19B48B21S	TMLX100C16MP11	21.0	CF/CM/CU48C	1	1000	39.5	27.6	17.00	24.60
AC19B48B21S	TMLX100C16MP11	21.0	CF/CM/CU48C	2	1350	48.0	34.8	17.00	13.00
AC19B48B21S	TMLX100C16MP11	21.0	CF/CM/CU48D	1	1025	39.5	27.8	17.00	24.70
AC19B48B21S	TMLX100C16MP11	21.0	CF/CM/CU48D	2	1375	48.0	35.0	17.00	13.00
AC19B48B21S	TMLX100C16MP11	21.0	CF/CM/CU60C	1	1000	39.0	27.2	16.75	24.10
AC19B48B21S	TMLX100C16MP11	21.0	CF/CM/CU60C	2	1350	47.0	34.0	16.75	12.75
AC19B48B21S	TMLX100C16MP11	21.0	CF/CM/CU60D	1	1025	38.5	27.4	16.50	24.30
AC19B48B21S	TMLX100C16MP11	21.0	CF/CM/CU60D	2	1375	47.5	34.4	16.50	13.00
AC19B48B21S	TMLX100C16MP11	21.0	CF/CM64D	1	1000	39.0	27.6	16.75	24.65
AC19B48B21S	TMLX100C16MP11	21.0	CF/CM64D	2	1350	48.0	34.8	16.75	13.00
AC19B48B21S	TMLX100C20MP11	21.0	CF/CM/CU48C	1	1050	40.0	28.6	17.00	24.80
AC19B48B21S	TMLX100C20MP11	21.0	CF/CM/CU48C	2	1375	48.0	35.0	17.00	13.25
AC19B48B21S	TMLX100C20MP11	21.0	CF/CM/CU48D	1	1050	39.5	28.6	16.75	24.80
AC19B48B21S	TMLX100C20MP11	21.0	CF/CM/CU48D	2	1400	48.0	35.6	16.75	13.25
AC19B48B21S	TMLX100C20MP11	21.0	CF/CM/CU60C	1	1050	39.0	27.8	16.50	24.35
AC19B48B21S	TMLX100C20MP11	21.0	CF/CM/CU60C	2	1375	47.5	34.4	16.50	13.00
AC19B48B21S	TMLX100C20MP11	21.0	CF/CM/CU60D	1	1050	39.0	28.2	16.75	24.60
AC19B48B21S	TMLX100C20MP11	21.0	CF/CM/CU60D	2	1400	47.5	35.0	16.75	13.25
AC19B48B21S	TMLX100C20MP11	21.0	CF/CM64D	1	1050	39.5	28.6	17.00	24.95
AC19B48B21S	TMLX100C20MP11	21.0	CF/CM64D	2	1375	48.0	35.2	17.00	13.50
AC19B48B21S	TMLX120C20MP11	21.0	CF/CM/CU48C	1	1050	40.0	28.6	17.00	24.80
AC19B48B21S	TMLX120C20MP11	21.0	CF/CM/CU48C	2	1375	48.0	35.0	17.00	13.25
AC19B48B21S	TMLX120C20MP11	21.0	CF/CM/CU48D	1	1050	39.5	28.6	16.75	24.80
AC19B48B21S	TMLX120C20MP11	21.0	CF/CM/CU48D	2	1400	48.0	35.6	16.75	13.25
AC19B48B21S	TMLX120C20MP11	21.0	CF/CM/CU60C	1	1050	39.0	27.8	16.50	24.35
AC19B48B21S	TMLX120C20MP11	21.0	CF/CM/CU60C	2	1375	47.5	34.4	16.50	13.00
AC19B48B21S	TMLX120C20MP11	21.0	CF/CM/CU60D	1	1050	39.0	28.2	16.75	24.60
AC19B48B21S	TMLX120C20MP11	21.0	CF/CM/CU60D	2	1400	47.5	35.0	16.75	13.25
AC19B48B21S	TMLX120C20MP11	21.0	CF/CM64D	1	1050	39.5	28.6	17.00	24.95
AC19B48B21S	TMLX120C20MP11	21.0	CF/CM64D	2	1375	48.0	35.2	17.00	13.50
AC19B48B21S	TP9C080C16MP13C	21.0	CF/CM/CU48C	1	900	38.5	26.2	16.75	24.25
AC19B48B21S	TP9C080C16MP13C	21.0	CF/CM/CU48C	2	1375	47.5	34.8	16.75	12.75
AC19B48B21S	TP9C080C16MP13C	21.0	CF/CM/CU48D	1	900	38.5	26.2	16.75	24.30
AC19B48B21S	TP9C080C16MP13C	21.0	CF/CM/CU48D	2	1375	47.5	34.8	16.75	12.75
AC19B48B21S	TP9C080C16MP13C	21.0	CF/CM/CU60C	1	900	38.5	26.4	16.50	24.15
AC19B48B21S	TP9C080C16MP13C	21.0	CF/CM/CU60C	2	1375	48.0	35.6	16.50	12.75
AC19B48B21S	TP9C080C16MP13C	21.0	CF/CM/CU60D	1	975	38.5	27.0	16.50	23.95
AC19B48B21S	TP9C080C16MP13C	21.0	CF/CM/CU60D	2	1525	48.0	36.4	16.50	12.50
AC19B48B21S	TP9C080C16MP13C	21.0	CF/CM64D	1	950	38.5	27.0	16.75	24.35
AC19B48B21S	TP9C080C16MP13C	21.0	CF/CM64D	2	1475	48.0	36.2	16.75	12.75

SYSTEM CAPACITY - With High Efficiency Motor Furnaces¹ (Continued)

UNIT MODEL	FURNACE MODEL	WIDTH	COIL MODEL ²	STAGE	COOLING				
					RATED CFM	NET MBH		SEER	EER
						TOTAL	SENS.		
AC19B48B21S	TP9C080C16MP13C	21.0	XAF/XAUC48F	1	900	38.5	24.0	16.50	23.75
AC19B48B21S	TP9C080C16MP13C	21.0	XAF/XAUC48F	2	1375	46.5	31.8	—	12.50
AC19B48B21S	TP9C080C16MP13C	21.0	XAF/XAUC60G	1	900	39.5	24.6	16.25	24.65
AC19B48B21S	TP9C080C16MP13C	21.0	XAF/XAUC60G	2	1375	46.5	32.6	—	12.50
AC19B48B21S	TP9C080C16MP13C	24.5	XAF/XAUD60G	1	900	39.5	24.6	16.50	24.60
AC19B48B21S	TP9C080C16MP13C	24.5	XAF/XAUD60G	2	1375	46.5	32.2	—	12.50
AC19B48B21S	TP9C080C16MP13C	24.5	XAF/XAUD60H	1	950	39.5	25.2	16.75	24.45
AC19B48B21S	TP9C080C16MP13C	24.5	XAF/XAUD60H	2	1475	47.5	33.2	—	12.75
AC19B48B21S	TP9C080C16MP13C	21.0	XAFC60H	1	950	39.5	25.2	17.00	24.70
AC19B48B21S	TP9C080C16MP13C	21.0	XAFC60H	2	1475	47.5	33.6	—	12.75
AC19B48B21S	TP9C080C16MP13C	24.5	XAFD48F	1	900	38.5	24.0	16.50	23.80
AC19B48B21S	TP9C080C16MP13C	24.5	XAFD48F	2	1375	46.5	31.4	—	12.50
AC19B48B21S	TP9C080C16MP13C	24.5	XAFD60J	1	950	40.0	25.2	17.25	24.75
AC19B48B21S	TP9C080C16MP13C	24.5	XAFD60J	2	1475	48.0	33.2	—	12.75
AC19B48B21S	TP9C080C16MP13C	21.0	XAHC48F	1	900	38.5	24.0	16.50	23.95
AC19B48B21S	TP9C080C16MP13C	21.0	XAHC48F	2	1375	46.5	31.8	—	12.50
AC19B48B21S	TP9C080C16MP13C	21.0	XAHC60G	1	900	39.5	24.6	16.50	24.95
AC19B48B21S	TP9C080C16MP13C	21.0	XAHC60G	2	1375	46.5	32.6	—	12.50
AC19B48B21S	TP9C080C16MP13C	21.0	XAHC60H	1	950	39.5	25.2	17.25	25.05
AC19B48B21S	TP9C080C16MP13C	21.0	XAHC60H	2	1475	47.5	33.6	—	12.75
AC19B48B21S	TP9C080C16MP13C	24.5	XAHD48F	1	900	38.5	24.0	16.50	23.75
AC19B48B21S	TP9C080C16MP13C	24.5	XAHD48F	2	1375	46.5	31.4	—	12.50
AC19B48B21S	TP9C080C16MP13C	21.0	XAHD60G	1	900	39.5	24.6	16.50	24.50
AC19B48B21S	TP9C080C16MP13C	21.0	XAHD60G	2	1375	46.5	32.6	—	12.50
AC19B48B21S	TP9C080C16MP13C	24.5	XAHD60H	1	950	39.5	25.2	16.75	24.60
AC19B48B21S	TP9C080C16MP13C	24.5	XAHD60H	2	1475	47.5	33.2	—	12.75
AC19B48B21S	TP9C080C16MP13C	24.5	XAHD60J	1	900	39.0	24.4	17.00	24.65
AC19B48B21S	TP9C080C16MP13C	24.5	XAHD60J	2	1375	48.0	32.4	—	12.75
AC19B48B21S	TP9C100C16MP12C	21.0	CF/CM/CU48C	1	925	39.0	26.6	17.00	24.60
AC19B48B21S	TP9C100C16MP12C	21.0	CF/CM/CU48C	2	1325	47.5	34.4	17.00	13.00
AC19B48B21S	TP9C100C16MP12C	21.0	CF/CM/CU60C	1	1100	39.5	28.8	16.75	24.35
AC19B48B21S	TP9C100C16MP12C	21.0	CF/CM/CU60C	2	1600	48.0	37.2	16.75	12.50
AC19B48B21S	TP9C100C16MP12C	21.0	CF/CM64D	1	1025	39.0	28.0	17.25	24.50
AC19B48B21S	TP9C100C16MP12C	21.0	CF/CM64D	2	1475	48.0	36.2	17.25	13.00
AC19B48B21S	TP9C100C16MP13C	21.0	CF/CM/CU48C	1	925	39.0	26.6	17.00	24.60
AC19B48B21S	TP9C100C16MP13C	21.0	CF/CM/CU48C	2	1325	47.5	34.4	17.00	13.00
AC19B48B21S	TP9C100C16MP13C	21.0	CF/CM/CU60C	1	1100	39.5	28.8	16.75	24.35
AC19B48B21S	TP9C100C16MP13C	21.0	CF/CM/CU60C	2	1600	48.0	37.2	16.75	12.50
AC19B48B21S	TP9C100C16MP13C	21.0	CF/CM64D	1	1025	39.0	28.0	17.25	24.50
AC19B48B21S	TP9C100C16MP13C	21.0	CF/CM64D	2	1475	48.0	36.2	17.25	13.00
AC19B48B21S	TP9C100C16MP13C	21.0	XAF/XAUC48F	1	975	39.0	24.8	16.75	24.15
AC19B48B21S	TP9C100C16MP13C	21.0	XAF/XAUC48F	2	1425	47.0	32.4	—	12.50
AC19B48B21S	TP9C100C16MP13C	21.0	XAF/XAUC60G	1	975	39.5	25.2	16.75	24.90
AC19B48B21S	TP9C100C16MP13C	21.0	XAF/XAUC60G	2	1425	47.0	32.6	—	13.00
AC19B48B21S	TP9C100C16MP13C	24.5	XAF/XAUD60G	1	1025	40.5	26.0	16.75	25.00
AC19B48B21S	TP9C100C16MP13C	24.5	XAF/XAUD60G	2	1475	47.0	32.8	—	12.75
AC19B48B21S	TP9C100C16MP13C	24.5	XAF/XAUD60H	1	975	40.0	25.8	17.25	24.80
AC19B48B21S	TP9C100C16MP13C	24.5	XAF/XAUD60H	2	1425	47.5	32.8	—	13.00
AC19B48B21S	TP9C100C16MP13C	21.0	XAFC60H	1	975	40.0	25.8	17.25	25.05
AC19B48B21S	TP9C100C16MP13C	21.0	XAFC60H	2	1425	48.0	33.0	—	13.00
AC19B48B21S	TP9C100C16MP13C	24.5	XAFD48F	1	975	39.0	24.8	16.75	24.15

SYSTEM CAPACITY - With High Efficiency Motor Furnaces¹ (Continued)

UNIT MODEL	FURNACE MODEL	WIDTH	COIL MODEL ²	STAGE	COOLING				
					RATED CFM	NET MBH		SEER	EER
						TOTAL	SENS.		
AC19B48B21S	TP9C100C16MP13C	24.5	XAFD48F	2	1425	47.0	32.0	—	12.75
AC19B48B21S	TP9C100C16MP13C	24.5	XAFD60J	1	1025	40.5	26.0	17.50	25.05
AC19B48B21S	TP9C100C16MP13C	24.5	XAFD60J	2	1475	48.0	33.0	—	13.00
AC19B48B21S	TP9C100C16MP13C	21.0	XAHC48F	1	975	39.0	24.6	16.75	24.35
AC19B48B21S	TP9C100C16MP13C	21.0	XAHC48F	2	1425	47.0	32.4	—	12.50
AC19B48B21S	TP9C100C16MP13C	21.0	XAHC60G	1	1000	40.5	25.8	17.00	25.15
AC19B48B21S	TP9C100C16MP13C	21.0	XAHC60G	2	1475	47.0	33.0	—	12.50
AC19B48B21S	TP9C100C16MP13C	21.0	XAHC60H	1	975	40.0	25.6	17.50	25.40
AC19B48B21S	TP9C100C16MP13C	21.0	XAHC60H	2	1425	48.0	33.0	—	13.25
AC19B48B21S	TP9C100C16MP13C	24.5	XAHD48F	1	975	39.0	24.8	16.50	24.15
AC19B48B21S	TP9C100C16MP13C	24.5	XAHD48F	2	1425	47.0	32.0	—	12.75
AC19B48B21S	TP9C100C16MP13C	21.0	XAHD60G	1	1025	40.5	26.0	16.75	24.80
AC19B48B21S	TP9C100C16MP13C	21.0	XAHD60G	2	1475	47.0	33.2	—	12.75
AC19B48B21S	TP9C100C16MP13C	24.5	XAHD60H	1	975	40.0	25.8	17.25	24.90
AC19B48B21S	TP9C100C16MP13C	24.5	XAHD60H	2	1425	47.5	32.8	—	13.00
AC19B48B21S	TP9C100C16MP13C	24.5	XAHD60J	1	1025	40.5	26.0	17.50	25.00
AC19B48B21S	TP9C100C16MP13C	24.5	XAHD60J	2	1475	48.0	33.0	—	13.00
AC19B48B21S	TP9C100C20MP12C	21.0	CF/CM/CU48C	1	825	38.0	25.2	17.00	24.50
AC19B48B21S	TP9C100C20MP12C	21.0	CF/CM/CU48C	2	1350	48.0	34.8	17.00	13.00
AC19B48B21S	TP9C100C20MP12C	21.0	CF/CM/CU60C	1	1050	39.5	28.4	16.75	24.50
AC19B48B21S	TP9C100C20MP12C	21.0	CF/CM/CU60C	2	1625	48.0	37.4	16.75	12.50
AC19B48B21S	TP9C100C20MP12C	21.0	CF/CM64D	1	900	39.0	26.8	17.00	24.80
AC19B48B21S	TP9C100C20MP12C	21.0	CF/CM64D	2	1475	48.0	36.2	17.00	13.00
AC19B48B21S	TP9C100C20MP13C	21.0	CF/CM/CU48C	1	825	38.0	25.2	17.00	24.50
AC19B48B21S	TP9C100C20MP13C	21.0	CF/CM/CU48C	2	1350	48.0	34.8	17.00	13.00
AC19B48B21S	TP9C100C20MP13C	21.0	CF/CM/CU60C	1	1050	39.5	28.4	16.75	24.50
AC19B48B21S	TP9C100C20MP13C	21.0	CF/CM/CU60C	2	1625	48.0	37.4	16.75	12.50
AC19B48B21S	TP9C100C20MP13C	21.0	CF/CM64D	1	900	39.0	26.8	17.00	24.80
AC19B48B21S	TP9C100C20MP13C	21.0	CF/CM64D	2	1475	48.0	36.2	17.00	13.00
AC19B48B21S	TP9C100C20MP13C	21.0	XAF/XAUC48F	1	875	38.5	23.8	16.75	24.10
AC19B48B21S	TP9C100C20MP13C	21.0	XAF/XAUC48F	2	1475	47.0	32.6	—	12.50
AC19B48B21S	TP9C100C20MP13C	21.0	XAF/XAUC60G	1	875	39.0	24.2	17.00	24.85
AC19B48B21S	TP9C100C20MP13C	21.0	XAF/XAUC60G	2	1475	47.0	33.0	—	12.50
AC19B48B21S	TP9C100C20MP13C	24.5	XAF/XAUD60G	1	875	39.0	24.2	16.75	24.75
AC19B48B21S	TP9C100C20MP13C	24.5	XAF/XAUD60G	2	1475	47.0	32.8	—	12.75
AC19B48B21S	TP9C100C20MP13C	24.5	XAF/XAUD60H	1	900	39.5	25.0	17.00	24.75
AC19B48B21S	TP9C100C20MP13C	24.5	XAF/XAUD60H	2	1475	48.0	33.2	—	13.00
AC19B48B21S	TP9C100C20MP13C	21.0	XAFC60H	1	900	39.5	25.0	17.25	25.00
AC19B48B21S	TP9C100C20MP13C	21.0	XAFC60H	2	1475	48.0	33.4	—	13.00
AC19B48B21S	TP9C100C20MP13C	24.5	XAFD48F	1	875	38.5	23.8	16.75	24.10
AC19B48B21S	TP9C100C20MP13C	24.5	XAFD48F	2	1475	47.0	32.4	—	12.50
AC19B48B21S	TP9C100C20MP13C	24.5	XAFD60J	1	875	39.0	24.0	17.25	25.00
AC19B48B21S	TP9C100C20MP13C	24.5	XAFD60J	2	1475	48.0	33.0	—	13.00
AC19B48B21S	TP9C100C20MP13C	21.0	XAHC48F	1	875	38.5	23.8	16.75	24.30
AC19B48B21S	TP9C100C20MP13C	21.0	XAHC48F	2	1475	47.0	32.6	—	12.50
AC19B48B21S	TP9C100C20MP13C	21.0	XAHC60G	1	875	39.0	24.2	17.00	25.10
AC19B48B21S	TP9C100C20MP13C	21.0	XAHC60G	2	1475	47.0	33.0	—	12.50
AC19B48B21S	TP9C100C20MP13C	21.0	XAHC60H	1	900	39.5	24.8	17.50	25.35
AC19B48B21S	TP9C100C20MP13C	21.0	XAHC60H	2	1475	48.0	33.4	—	13.00
AC19B48B21S	TP9C100C20MP13C	24.5	XAHD48F	1	875	38.5	23.8	16.75	24.10
AC19B48B21S	TP9C100C20MP13C	24.5	XAHD48F	2	1475	47.0	32.4	—	12.50

SYSTEM CAPACITY - With High Efficiency Motor Furnaces¹ (Continued)

UNIT MODEL	FURNACE MODEL	WIDTH	COIL MODEL ²	STAGE	COOLING				
					RATED CFM	NET MBH		SEER	EER
						TOTAL	SENS.		
AC19B48B21S	TP9C100C20MP13C	21.0	XAHD60G	1	875	39.0	24.2	16.75	24.60
AC19B48B21S	TP9C100C20MP13C	21.0	XAHD60G	2	1475	47.0	33.2	—	12.75
AC19B48B21S	TP9C100C20MP13C	24.5	XAHD60H	1	900	39.5	25.0	17.00	24.85
AC19B48B21S	TP9C100C20MP13C	24.5	XAHD60H	2	1475	48.0	33.2	—	13.00
AC19B48B21S	TP9C100C20MP13C	24.5	XAHD60J	1	875	39.0	24.0	17.25	25.00
AC19B48B21S	TP9C100C20MP13C	24.5	XAHD60J	2	1475	48.0	33.0	—	13.00
AC19B48B21S	TP9C120D20MP12C	24.5	CF/CM/CU48D	1	925	38.5	26.4	17.00	24.85
AC19B48B21S	TP9C120D20MP12C	24.5	CF/CM/CU48D	2	1425	48.0	35.6	17.00	13.25
AC19B48B21S	TP9C120D20MP12C	24.5	CF/CM/CU60D	1	1000	39.5	28.0	17.00	25.15
AC19B48B21S	TP9C120D20MP12C	24.5	CF/CM/CU60D	2	1575	48.0	37.0	17.00	13.25
AC19B48B21S	TP9C120D20MP12C	24.5	CF/CM64D	1	925	39.5	27.2	17.25	25.15
AC19B48B21S	TP9C120D20MP12C	24.5	CF/CM64D	2	1425	48.0	35.6	17.25	13.25
AC19B48B21S	TP9C120D20MP13C	24.5	CF/CM/CU48D	1	925	38.5	26.4	17.00	24.85
AC19B48B21S	TP9C120D20MP13C	24.5	CF/CM/CU48D	2	1425	48.0	35.6	17.00	13.25
AC19B48B21S	TP9C120D20MP13C	24.5	CF/CM/CU60D	1	1000	39.5	28.0	17.00	25.15
AC19B48B21S	TP9C120D20MP13C	24.5	CF/CM/CU60D	2	1575	48.0	37.0	17.00	13.25
AC19B48B21S	TP9C120D20MP13C	24.5	CF/CM64D	1	925	39.5	27.2	17.25	25.15
AC19B48B21S	TP9C120D20MP13C	24.5	CF/CM64D	2	1425	48.0	35.6	17.25	13.25
AC19B48B21S	TP9C120D20MP13C	24.5	XAF/XAUD60G	1	1000	40.0	25.6	17.00	25.25
AC19B48B21S	TP9C120D20MP13C	24.5	XAF/XAUD60G	2	1575	47.5	33.6	—	13.00
AC19B48B21S	TP9C120D20MP13C	24.5	XAF/XAUD60H	1	1000	40.0	25.8	17.25	25.25
AC19B48B21S	TP9C120D20MP13C	24.5	XAF/XAUD60H	2	1575	48.0	34.0	—	13.00
AC19B48B21S	TP9C120D20MP13C	24.5	XAFD48F	1	925	39.0	24.4	17.00	24.40
AC19B48B21S	TP9C120D20MP13C	24.5	XAFD48F	2	1425	47.0	32.2	—	12.75
AC19B48B21S	TP9C120D20MP13C	24.5	XAFD60J	1	1000	40.0	25.6	17.50	25.50
AC19B48B21S	TP9C120D20MP13C	24.5	XAFD60J	2	1575	48.0	34.0	—	13.00
AC19B48B21S	TP9C120D20MP13C	24.5	XAHD48F	1	925	39.0	24.4	17.00	24.40
AC19B48B21S	TP9C120D20MP13C	24.5	XAHD48F	2	1425	47.0	32.2	—	12.75
AC19B48B21S	TP9C120D20MP13C	21.0	XAHD60G	1	1000	40.0	25.6	17.00	25.10
AC19B48B21S	TP9C120D20MP13C	21.0	XAHD60G	2	1575	47.5	33.6	—	12.75
AC19B48B21S	TP9C120D20MP13C	24.5	XAHD60H	1	1000	40.0	25.8	17.25	25.35
AC19B48B21S	TP9C120D20MP13C	24.5	XAHD60H	2	1575	48.0	34.0	—	13.00
AC19B48B21S	TP9C120D20MP13C	24.5	XAHD60J	1	1000	40.0	25.6	17.50	25.50
AC19B48B21S	TP9C120D20MP13C	24.5	XAHD60J	2	1575	48.0	34.0	—	13.00
AC19B48B21S	TPLC080C16MP12C	21.0	CF/CM/CU48C	1	875	38.5	26.0	17.00	24.40
AC19B48B21S	TPLC080C16MP12C	21.0	CF/CM/CU48C	2	1375	48.0	35.0	17.00	13.00
AC19B48B21S	TPLC080C16MP12C	21.0	CF/CM/CU60C	1	900	38.5	26.4	16.75	24.45
AC19B48B21S	TPLC080C16MP12C	21.0	CF/CM/CU60C	2	1425	48.0	35.6	16.75	13.00
AC19B48B21S	TPLC080C16MP12C	21.0	CF/CM64D	1	975	39.5	27.4	17.00	24.85
AC19B48B21S	TPLC080C16MP12C	21.0	CF/CM64D	2	1425	48.0	35.6	17.00	13.00
AC19B48B21S	TPLC080C16MP13C	21.0	CF/CM/CU48C	1	875	38.5	26.0	17.00	24.40
AC19B48B21S	TPLC080C16MP13C	21.0	CF/CM/CU48C	2	1375	48.0	35.0	17.00	13.00
AC19B48B21S	TPLC080C16MP13C	21.0	CF/CM/CU60C	1	900	38.5	26.4	16.75	24.45
AC19B48B21S	TPLC080C16MP13C	21.0	CF/CM/CU60C	2	1425	48.0	35.6	16.75	13.00
AC19B48B21S	TPLC080C16MP13C	21.0	CF/CM64D	1	975	39.5	27.4	17.00	24.85
AC19B48B21S	TPLC080C16MP13C	21.0	CF/CM64D	2	1425	48.0	35.6	17.00	13.00
AC19B48B21S	TPLC080C16MP13C	21.0	XAF/XAUC48F	1	900	38.5	24.0	16.75	24.10
AC19B48B21S	TPLC080C16MP13C	21.0	XAF/XAUC48F	2	1425	47.0	32.4	—	12.50
AC19B48B21S	TPLC080C16MP13C	21.0	XAF/XAUC60G	1	975	39.5	25.2	16.75	24.80
AC19B48B21S	TPLC080C16MP13C	21.0	XAF/XAUC60G	2	1425	47.0	32.8	—	12.75
AC19B48B21S	TPLC080C16MP13C	24.5	XAF/XAUD60G	1	900	39.0	24.4	16.75	24.75

SYSTEM CAPACITY - With High Efficiency Motor Furnaces¹ (Continued)

UNIT MODEL	FURNACE MODEL	WIDTH	COIL MODEL ²	STAGE	COOLING				
					RATED CFM	NET MBH		SEER	EER
						TOTAL	SENS.		
AC19B48B21S	TPLC080C16MP13C	24.5	XAF/XAUD60G	2	1425	47.0	32.4	—	12.75
AC19B48B21S	TPLC080C16MP13C	24.5	XAF/XAUD60H	1	975	40.0	25.8	17.00	24.75
AC19B48B21S	TPLC080C16MP13C	24.5	XAF/XAUD60H	2	1425	47.5	32.8	—	13.00
AC19B48B21S	TPLC080C16MP13C	21.0	XAFC60H	1	975	40.0	25.8	17.25	24.95
AC19B48B21S	TPLC080C16MP13C	21.0	XAFC60H	2	1425	47.5	33.0	—	13.00
AC19B48B21S	TPLC080C16MP13C	24.5	XAFD48F	1	900	38.5	24.0	16.50	24.10
AC19B48B21S	TPLC080C16MP13C	24.5	XAFD48F	2	1425	47.0	32.0	—	12.75
AC19B48B21S	TPLC080C16MP13C	24.5	XAFD60J	1	975	40.0	25.4	17.25	25.00
AC19B48B21S	TPLC080C16MP13C	24.5	XAFD60J	2	1425	48.0	32.6	—	13.00
AC19B48B21S	TPLC080C16MP13C	21.0	XAHC48F	1	900	38.5	24.0	16.75	24.30
AC19B48B21S	TPLC080C16MP13C	21.0	XAHC48F	2	1425	47.0	32.4	—	12.50
AC19B48B21S	TPLC080C16MP13C	21.0	XAHC60G	1	900	39.5	24.6	17.00	25.30
AC19B48B21S	TPLC080C16MP13C	21.0	XAHC60G	2	1375	46.5	32.4	—	13.00
AC19B48B21S	TPLC080C16MP13C	21.0	XAHC60H	1	975	40.0	25.6	17.50	25.30
AC19B48B21S	TPLC080C16MP13C	21.0	XAHC60H	2	1425	48.0	33.0	—	13.00
AC19B48B21S	TPLC080C16MP13C	24.5	XAHD48F	1	900	38.5	24.0	16.75	24.10
AC19B48B21S	TPLC080C16MP13C	24.5	XAHD48F	2	1425	47.0	32.0	—	12.50
AC19B48B21S	TPLC080C16MP13C	21.0	XAHD60G	1	1000	40.0	25.6	16.75	24.55
AC19B48B21S	TPLC080C16MP13C	21.0	XAHD60G	2	1425	47.0	32.8	—	12.50
AC19B48B21S	TPLC080C16MP13C	24.5	XAHD60H	1	975	40.0	25.8	17.00	24.85
AC19B48B21S	TPLC080C16MP13C	24.5	XAHD60H	2	1425	47.5	32.8	—	13.00
AC19B48B21S	TPLC080C16MP13C	24.5	XAHD60J	1	975	40.0	25.4	17.25	24.95
AC19B48B21S	TPLC080C16MP13C	24.5	XAHD60J	2	1425	48.0	32.6	—	13.00
AC19B48B21S	TPLC100C16MP12C	21.0	CF/CM/CU48C	1	875	38.5	26.0	17.00	24.40
AC19B48B21S	TPLC100C16MP12C	21.0	CF/CM/CU48C	2	1375	48.0	35.0	17.00	13.00
AC19B48B21S	TPLC100C16MP12C	21.0	CF/CM/CU60C	1	900	38.5	26.4	16.75	24.45
AC19B48B21S	TPLC100C16MP12C	21.0	CF/CM/CU60C	2	1425	48.0	35.6	16.75	13.00
AC19B48B21S	TPLC100C16MP12C	21.0	CF/CM64D	1	975	39.5	27.4	17.00	24.85
AC19B48B21S	TPLC100C16MP12C	21.0	CF/CM64D	2	1425	48.0	35.6	17.00	13.00
AC19B48B21S	TPLC100C16MP13C	21.0	CF/CM/CU48C	1	875	38.5	26.0	17.00	24.40
AC19B48B21S	TPLC100C16MP13C	21.0	CF/CM/CU48C	2	1375	48.0	35.0	17.00	13.00
AC19B48B21S	TPLC100C16MP13C	21.0	CF/CM/CU60C	1	900	38.5	26.4	16.75	24.45
AC19B48B21S	TPLC100C16MP13C	21.0	CF/CM/CU60C	2	1425	48.0	35.6	16.75	13.00
AC19B48B21S	TPLC100C16MP13C	21.0	CF/CM64D	1	975	39.5	27.4	17.00	24.85
AC19B48B21S	TPLC100C16MP13C	21.0	CF/CM64D	2	1425	48.0	35.6	17.00	13.00
AC19B48B21S	TPLC100C16MP13C	21.0	XAF/XAUC48F	1	900	38.5	24.0	16.75	24.10
AC19B48B21S	TPLC100C16MP13C	21.0	XAF/XAUC48F	2	1425	47.0	32.4	—	12.50
AC19B48B21S	TPLC100C16MP13C	21.0	XAF/XAUC60G	1	975	39.5	25.2	16.75	24.80
AC19B48B21S	TPLC100C16MP13C	21.0	XAF/XAUC60G	2	1425	47.0	32.8	—	12.75
AC19B48B21S	TPLC100C16MP13C	24.5	XAF/XAUD60G	1	900	39.0	24.4	16.75	24.75
AC19B48B21S	TPLC100C16MP13C	24.5	XAF/XAUD60G	2	1425	47.0	32.4	—	12.75
AC19B48B21S	TPLC100C16MP13C	24.5	XAF/XAUD60H	1	975	40.0	25.8	17.00	24.75
AC19B48B21S	TPLC100C16MP13C	24.5	XAF/XAUD60H	2	1425	47.5	32.8	—	13.00
AC19B48B21S	TPLC100C16MP13C	21.0	XAFC60H	1	975	40.0	25.8	17.25	24.95
AC19B48B21S	TPLC100C16MP13C	21.0	XAFC60H	2	1425	47.5	33.0	—	13.00
AC19B48B21S	TPLC100C16MP13C	24.5	XAFD48F	1	900	38.5	24.0	16.50	24.10
AC19B48B21S	TPLC100C16MP13C	24.5	XAFD48F	2	1425	47.0	32.0	—	12.75
AC19B48B21S	TPLC100C16MP13C	24.5	XAFD60J	1	975	40.0	25.4	17.25	25.00
AC19B48B21S	TPLC100C16MP13C	24.5	XAFD60J	2	1425	48.0	32.6	—	13.00
AC19B48B21S	TPLC100C16MP13C	21.0	XAHC48F	1	900	38.5	24.0	16.75	24.30
AC19B48B21S	TPLC100C16MP13C	21.0	XAHC48F	2	1425	47.0	32.4	—	12.50

SYSTEM CAPACITY - With High Efficiency Motor Furnaces¹ (Continued)

UNIT MODEL	FURNACE MODEL	WIDTH	COIL MODEL ²	STAGE	COOLING				
					RATED CFM	NET MBH		SEER	EER
						TOTAL	SENS.		
AC19B48B21S	TPLC100C16MP13C	21.0	XAHC60G	1	900	39.5	24.6	17.00	25.30
AC19B48B21S	TPLC100C16MP13C	21.0	XAHC60G	2	1375	46.5	32.4	—	13.00
AC19B48B21S	TPLC100C16MP13C	21.0	XAHC60H	1	975	40.0	25.6	17.50	25.30
AC19B48B21S	TPLC100C16MP13C	21.0	XAHC60H	2	1425	48.0	33.0	—	13.00
AC19B48B21S	TPLC100C16MP13C	24.5	XAHD48F	1	900	38.5	24.0	16.75	24.10
AC19B48B21S	TPLC100C16MP13C	24.5	XAHD48F	2	1425	47.0	32.0	—	12.50
AC19B48B21S	TPLC100C16MP13C	21.0	XAHD60G	1	1000	40.0	25.6	16.75	24.55
AC19B48B21S	TPLC100C16MP13C	21.0	XAHD60G	2	1425	47.0	32.8	—	12.50
AC19B48B21S	TPLC100C16MP13C	24.5	XAHD60H	1	975	40.0	25.8	17.00	24.85
AC19B48B21S	TPLC100C16MP13C	24.5	XAHD60H	2	1425	47.5	32.8	—	13.00
AC19B48B21S	TPLC100C16MP13C	24.5	XAHD60J	1	975	40.0	25.4	17.25	24.95
AC19B48B21S	TPLC100C16MP13C	24.5	XAHD60J	2	1425	48.0	32.6	—	13.00
AC19B48B21S	TPLC100C20MP12C	21.0	CF/CM/CU48C	1	925	39.0	26.4	17.25	24.95
AC19B48B21S	TPLC100C20MP12C	21.0	CF/CM/CU48C	2	1375	48.0	35.0	17.25	13.25
AC19B48B21S	TPLC100C20MP12C	21.0	CF/CM/CU60C	1	1075	40.0	29.0	17.00	25.05
AC19B48B21S	TPLC100C20MP12C	21.0	CF/CM/CU60C	2	1550	48.0	37.0	17.00	13.00
AC19B48B21S	TPLC100C20MP12C	21.0	CF/CM64D	1	975	40.0	28.0	17.25	25.30
AC19B48B21S	TPLC100C20MP12C	21.0	CF/CM64D	2	1425	48.0	35.6	17.25	13.25
AC19B48B21S	TPLC100C20MP13C	21.0	CF/CM/CU48C	1	925	39.0	26.4	17.25	24.95
AC19B48B21S	TPLC100C20MP13C	21.0	CF/CM/CU48C	2	1375	48.0	35.0	17.25	13.25
AC19B48B21S	TPLC100C20MP13C	21.0	CF/CM/CU60C	1	1075	40.0	29.0	17.00	25.05
AC19B48B21S	TPLC100C20MP13C	21.0	CF/CM/CU60C	2	1550	48.0	37.0	17.00	13.00
AC19B48B21S	TPLC100C20MP13C	21.0	CF/CM64D	1	975	40.0	28.0	17.25	25.30
AC19B48B21S	TPLC100C20MP13C	21.0	CF/CM64D	2	1425	48.0	35.6	17.25	13.25
AC19B48B21S	TPLC100C20MP13C	21.0	XAF/XAUC60G	1	975	40.0	25.4	17.00	25.25
AC19B48B21S	TPLC100C20MP13C	21.0	XAF/XAUC60G	2	1425	47.0	32.6	—	13.00
AC19B48B21S	TPLC100C20MP13C	24.5	XAF/XAUD60G	1	975	40.0	25.4	17.00	25.20
AC19B48B21S	TPLC100C20MP13C	24.5	XAF/XAUD60G	2	1425	47.0	32.2	—	13.00
AC19B48B21S	TPLC100C20MP13C	24.5	XAF/XAUD60H	1	1225	41.5	28.2	17.25	24.95
AC19B48B21S	TPLC100C20MP13C	24.5	XAF/XAUD60H	2	1775	48.0	35.2	—	12.50
AC19B48B21S	TPLC100C20MP13C	21.0	XAFC60H	1	975	40.0	25.6	17.50	25.35
AC19B48B21S	TPLC100C20MP13C	21.0	XAFC60H	2	1425	48.0	33.0	—	13.25
AC19B48B21S	TPLC100C20MP13C	24.5	XAFD48F	1	1225	40.5	27.2	16.75	24.30
AC19B48B21S	TPLC100C20MP13C	24.5	XAFD48F	2	1775	47.5	34.6	—	12.25
AC19B48B21S	TPLC100C20MP13C	24.5	XAFD60J	1	1000	40.0	25.6	17.50	25.45
AC19B48B21S	TPLC100C20MP13C	24.5	XAFD60J	2	1450	48.0	32.6	—	13.25
AC19B48B21S	TPLC100C20MP13C	21.0	XAHC48F	1	975	39.5	25.0	17.00	24.70
AC19B48B21S	TPLC100C20MP13C	21.0	XAHC48F	2	1425	47.0	32.2	—	12.75
AC19B48B21S	TPLC100C20MP13C	21.0	XAHC60G	1	1000	40.5	25.8	17.25	25.60
AC19B48B21S	TPLC100C20MP13C	21.0	XAHC60G	2	1450	47.5	32.8	—	13.00
AC19B48B21S	TPLC100C20MP13C	21.0	XAHC60H	1	925	40.0	25.2	17.50	25.70
AC19B48B21S	TPLC100C20MP13C	21.0	XAHC60H	2	1375	48.0	32.6	—	13.50
AC19B48B21S	TPLC100C20MP13C	24.5	XAHD60H	1	975	40.0	25.6	17.25	25.30
AC19B48B21S	TPLC100C20MP13C	24.5	XAHD60H	2	1425	48.0	32.6	—	13.25
AC19B48B21S	TPLC100C20MP13C	24.5	XAHD60J	1	975	40.0	25.4	17.50	25.35
AC19B48B21S	TPLC100C20MP13C	24.5	XAHD60J	2	1425	48.0	32.4	—	13.25
AC19B48B21S	TPLC120C20MP12C	21.0	CF/CM/CU48C	1	925	39.0	26.4	17.25	24.95
AC19B48B21S	TPLC120C20MP12C	21.0	CF/CM/CU48C	2	1375	48.0	35.0	17.25	13.25
AC19B48B21S	TPLC120C20MP12C	21.0	CF/CM/CU60C	1	1075	40.0	29.0	17.00	25.05
AC19B48B21S	TPLC120C20MP12C	21.0	CF/CM/CU60C	2	1550	48.0	37.0	17.00	13.00
AC19B48B21S	TPLC120C20MP12C	21.0	CF/CM64D	1	975	40.0	28.0	17.25	25.30

SYSTEM CAPACITY - With High Efficiency Motor Furnaces¹ (Continued)

UNIT MODEL	FURNACE MODEL	WIDTH	COIL MODEL ²	STAGE	COOLING				
					RATED CFM	NET MBH		SEER	EER
						TOTAL	SENS.		
AC19B48B21S	TPLC120C20MP12C	21.0	CF/CM64D	2	1425	48.0	35.6	17.25	13.25
AC19B48B21S	TPLC120C20MP13C	21.0	CF/CM/CU48C	1	925	39.0	26.4	17.25	24.95
AC19B48B21S	TPLC120C20MP13C	21.0	CF/CM/CU48C	2	1375	48.0	35.0	17.25	13.25
AC19B48B21S	TPLC120C20MP13C	21.0	CF/CM/CU60C	1	1075	40.0	29.0	17.00	25.05
AC19B48B21S	TPLC120C20MP13C	21.0	CF/CM/CU60C	2	1550	48.0	37.0	17.00	13.00
AC19B48B21S	TPLC120C20MP13C	21.0	CF/CM64D	1	975	40.0	28.0	17.25	25.30
AC19B48B21S	TPLC120C20MP13C	21.0	CF/CM64D	2	1425	48.0	35.6	17.25	13.25
AC19B48B21S	TPLC120C20MP13C	21.0	XAF/XAUC60G	1	975	40.0	25.4	17.00	25.25
AC19B48B21S	TPLC120C20MP13C	21.0	XAF/XAUC60G	2	1425	47.0	32.6	—	13.00
AC19B48B21S	TPLC120C20MP13C	24.5	XAF/XAUD60G	1	975	40.0	25.4	17.00	25.20
AC19B48B21S	TPLC120C20MP13C	24.5	XAF/XAUD60G	2	1425	47.0	32.2	—	13.00
AC19B48B21S	TPLC120C20MP13C	24.5	XAF/XAUD60H	1	1225	41.5	28.2	17.25	24.95
AC19B48B21S	TPLC120C20MP13C	24.5	XAF/XAUD60H	2	1775	48.0	35.2	—	12.50
AC19B48B21S	TPLC120C20MP13C	21.0	XAFC60H	1	975	40.0	25.6	17.50	25.35
AC19B48B21S	TPLC120C20MP13C	21.0	XAFC60H	2	1425	48.0	33.0	—	13.25
AC19B48B21S	TPLC120C20MP13C	24.5	XAFD48F	1	1225	40.5	27.2	16.75	24.30
AC19B48B21S	TPLC120C20MP13C	24.5	XAFD48F	2	1775	47.5	34.6	—	12.25
AC19B48B21S	TPLC120C20MP13C	24.5	XAFD60J	1	1000	40.0	25.6	17.50	25.45
AC19B48B21S	TPLC120C20MP13C	24.5	XAFD60J	2	1450	48.0	32.6	—	13.25
AC19B48B21S	TPLC120C20MP13C	21.0	XAHC48F	1	975	39.5	25.0	17.00	24.70
AC19B48B21S	TPLC120C20MP13C	21.0	XAHC48F	2	1425	47.0	32.2	—	12.75
AC19B48B21S	TPLC120C20MP13C	21.0	XAHC60G	1	1000	40.5	25.8	17.25	25.60
AC19B48B21S	TPLC120C20MP13C	21.0	XAHC60G	2	1450	47.5	32.8	—	13.00
AC19B48B21S	TPLC120C20MP13C	21.0	XAHC60H	1	925	40.0	25.2	17.50	25.70
AC19B48B21S	TPLC120C20MP13C	21.0	XAHC60H	2	1375	48.0	32.6	—	13.50
AC19B48B21S	TPLC120C20MP13C	24.5	XAHD60H	1	975	40.0	25.6	17.25	25.30
AC19B48B21S	TPLC120C20MP13C	24.5	XAHD60H	2	1425	48.0	32.6	—	13.25
AC19B48B21S	TPLC120C20MP13C	24.5	XAHD60J	1	975	40.0	25.4	17.50	25.35
AC19B48B21S	TPLC120C20MP13C	24.5	XAHD60J	2	1425	48.0	32.4	—	13.25
AC19B48B21S	CP9C080C16MP13C	21.0	CF/CM/CU48C	1	900	38.5	26.2	16.75	24.25
AC19B48B21S	CP9C080C16MP13C	21.0	CF/CM/CU48C	2	1375	47.5	34.8	16.75	12.75
AC19B48B21S	CP9C080C16MP13C	21.0	CF/CM/CU48D	1	900	38.5	26.2	16.75	24.30
AC19B48B21S	CP9C080C16MP13C	21.0	CF/CM/CU48D	2	1375	47.5	34.8	16.75	12.75
AC19B48B21S	CP9C080C16MP13C	21.0	CF/CM/CU60C	1	900	38.5	26.4	16.50	24.15
AC19B48B21S	CP9C080C16MP13C	21.0	CF/CM/CU60C	2	1375	48.0	35.6	16.50	12.75
AC19B48B21S	CP9C080C16MP13C	21.0	CF/CM/CU60D	1	975	38.5	27.0	16.50	23.95
AC19B48B21S	CP9C080C16MP13C	21.0	CF/CM/CU60D	2	1525	48.0	36.4	16.50	12.50
AC19B48B21S	CP9C080C16MP13C	21.0	CF/CM64D	1	950	38.5	27.0	16.75	24.35
AC19B48B21S	CP9C080C16MP13C	21.0	CF/CM64D	2	1475	48.0	36.2	16.75	12.75
AC19B48B21S	CP9C080C16MP13C	21.0	XAF/XAUC48F	1	900	38.5	24.0	16.50	23.75
AC19B48B21S	CP9C080C16MP13C	21.0	XAF/XAUC48F	2	1375	46.5	31.8	—	12.50
AC19B48B21S	CP9C080C16MP13C	21.0	XAF/XAUC60G	1	900	39.5	24.6	16.25	24.65
AC19B48B21S	CP9C080C16MP13C	21.0	XAF/XAUC60G	2	1375	46.5	32.6	—	12.50
AC19B48B21S	CP9C080C16MP13C	24.5	XAF/XAUD60G	1	900	39.5	24.6	16.50	24.60
AC19B48B21S	CP9C080C16MP13C	24.5	XAF/XAUD60G	2	1375	46.5	32.2	—	12.50
AC19B48B21S	CP9C080C16MP13C	24.5	XAF/XAUD60H	1	950	39.5	25.2	16.75	24.45
AC19B48B21S	CP9C080C16MP13C	24.5	XAF/XAUD60H	2	1475	47.5	33.2	—	12.75
AC19B48B21S	CP9C080C16MP13C	21.0	XAFC60H	1	950	39.5	25.2	17.00	24.70
AC19B48B21S	CP9C080C16MP13C	21.0	XAFC60H	2	1475	47.5	33.6	—	12.75
AC19B48B21S	CP9C080C16MP13C	24.5	XAFD48F	1	900	38.5	24.0	16.50	23.80
AC19B48B21S	CP9C080C16MP13C	24.5	XAFD48F	2	1375	46.5	31.4	—	12.50

SYSTEM CAPACITY - With High Efficiency Motor Furnaces¹ (Continued)

UNIT MODEL	FURNACE MODEL	WIDTH	COIL MODEL ²	STAGE	COOLING				
					RATED CFM	NET MBH		SEER	EER
						TOTAL	SENS.		
AC19B48B21S	CP9C080C16MP13C	24.5	XAFD60J	1	950	40.0	25.2	17.25	24.75
AC19B48B21S	CP9C080C16MP13C	24.5	XAFD60J	2	1475	48.0	33.2	—	12.75
AC19B48B21S	CP9C080C16MP13C	21.0	XAHC48F	1	900	38.5	24.0	16.50	23.95
AC19B48B21S	CP9C080C16MP13C	21.0	XAHC48F	2	1375	46.5	31.8	—	12.50
AC19B48B21S	CP9C080C16MP13C	21.0	XAHC60G	1	900	39.5	24.6	16.50	24.95
AC19B48B21S	CP9C080C16MP13C	21.0	XAHC60G	2	1375	46.5	32.6	—	12.50
AC19B48B21S	CP9C080C16MP13C	21.0	XAHC60H	1	950	39.5	25.2	17.25	25.05
AC19B48B21S	CP9C080C16MP13C	21.0	XAHC60H	2	1475	47.5	33.6	—	12.75
AC19B48B21S	CP9C080C16MP13C	24.5	XAHD48F	1	900	38.5	24.0	16.50	23.75
AC19B48B21S	CP9C080C16MP13C	24.5	XAHD48F	2	1375	46.5	31.4	—	12.50
AC19B48B21S	CP9C080C16MP13C	21.0	XAHD60G	1	900	39.5	24.6	16.50	24.50
AC19B48B21S	CP9C080C16MP13C	21.0	XAHD60G	2	1375	46.5	32.6	—	12.50
AC19B48B21S	CP9C080C16MP13C	24.5	XAHD60H	1	950	39.5	25.2	16.75	24.60
AC19B48B21S	CP9C080C16MP13C	24.5	XAHD60H	2	1475	47.5	33.2	—	12.75
AC19B48B21S	CP9C080C16MP13C	24.5	XAHD60J	1	900	39.0	24.4	17.00	24.65
AC19B48B21S	CP9C080C16MP13C	24.5	XAHD60J	2	1375	48.0	32.4	—	12.75
AC19B48B21S	CP9C100C16MP12C	21.0	CF/CM/CU48C	1	925	39.0	26.6	17.00	24.60
AC19B48B21S	CP9C100C16MP12C	21.0	CF/CM/CU48C	2	1325	47.5	34.4	17.00	13.00
AC19B48B21S	CP9C100C16MP12C	21.0	CF/CM/CU60C	1	1100	39.5	28.8	16.75	24.35
AC19B48B21S	CP9C100C16MP12C	21.0	CF/CM/CU60C	2	1600	48.0	37.2	16.75	12.50
AC19B48B21S	CP9C100C16MP12C	21.0	CF/CM64D	1	1025	39.0	28.0	17.25	24.50
AC19B48B21S	CP9C100C16MP12C	21.0	CF/CM64D	2	1475	48.0	36.2	17.25	13.00
AC19B48B21S	CP9C100C16MP13C	21.0	CF/CM/CU48C	1	925	39.0	26.6	17.00	24.60
AC19B48B21S	CP9C100C16MP13C	21.0	CF/CM/CU48C	2	1325	47.5	34.4	17.00	13.00
AC19B48B21S	CP9C100C16MP13C	21.0	CF/CM/CU60C	1	1100	39.5	28.8	16.75	24.35
AC19B48B21S	CP9C100C16MP13C	21.0	CF/CM/CU60C	2	1600	48.0	37.2	16.75	12.50
AC19B48B21S	CP9C100C16MP13C	21.0	CF/CM64D	1	1025	39.0	28.0	17.25	24.50
AC19B48B21S	CP9C100C16MP13C	21.0	CF/CM64D	2	1475	48.0	36.2	17.25	13.00
AC19B48B21S	CP9C100C16MP13C	21.0	XAF/XAUC48F	1	975	39.0	24.8	16.75	24.15
AC19B48B21S	CP9C100C16MP13C	21.0	XAF/XAUC48F	2	1425	47.0	32.4	—	12.50
AC19B48B21S	CP9C100C16MP13C	21.0	XAF/XAUC60G	1	975	39.5	25.2	16.75	24.90
AC19B48B21S	CP9C100C16MP13C	21.0	XAF/XAUC60G	2	1425	47.0	32.6	—	13.00
AC19B48B21S	CP9C100C16MP13C	24.5	XAF/XAUD60G	1	1025	40.5	26.0	16.75	25.00
AC19B48B21S	CP9C100C16MP13C	24.5	XAF/XAUD60G	2	1475	47.0	32.8	—	12.75
AC19B48B21S	CP9C100C16MP13C	24.5	XAF/XAUD60H	1	975	40.0	25.8	17.25	24.80
AC19B48B21S	CP9C100C16MP13C	24.5	XAF/XAUD60H	2	1425	47.5	32.8	—	13.00
AC19B48B21S	CP9C100C16MP13C	21.0	XAFC60H	1	975	40.0	25.8	17.25	25.05
AC19B48B21S	CP9C100C16MP13C	21.0	XAFC60H	2	1425	48.0	33.0	—	13.00
AC19B48B21S	CP9C100C16MP13C	24.5	XAFD48F	1	975	39.0	24.8	16.75	24.15
AC19B48B21S	CP9C100C16MP13C	24.5	XAFD48F	2	1425	47.0	32.0	—	12.75
AC19B48B21S	CP9C100C16MP13C	24.5	XAFD60J	1	1025	40.5	26.0	17.50	25.05
AC19B48B21S	CP9C100C16MP13C	24.5	XAFD60J	2	1475	48.0	33.0	—	13.00
AC19B48B21S	CP9C100C16MP13C	21.0	XAHC48F	1	975	39.0	24.6	16.75	24.35
AC19B48B21S	CP9C100C16MP13C	21.0	XAHC48F	2	1425	47.0	32.4	—	12.50
AC19B48B21S	CP9C100C16MP13C	21.0	XAHC60G	1	1000	40.5	25.8	17.00	25.15
AC19B48B21S	CP9C100C16MP13C	21.0	XAHC60G	2	1475	47.0	33.0	—	12.50
AC19B48B21S	CP9C100C16MP13C	21.0	XAHC60H	1	975	40.0	25.6	17.50	25.40
AC19B48B21S	CP9C100C16MP13C	21.0	XAHC60H	2	1425	48.0	33.0	—	13.25
AC19B48B21S	CP9C100C16MP13C	24.5	XAHD48F	1	975	39.0	24.8	16.50	24.15
AC19B48B21S	CP9C100C16MP13C	24.5	XAHD48F	2	1425	47.0	32.0	—	12.75
AC19B48B21S	CP9C100C16MP13C	21.0	XAHD60G	1	1025	40.5	26.0	16.75	24.80

SYSTEM CAPACITY - With High Efficiency Motor Furnaces¹ (Continued)

UNIT MODEL	FURNACE MODEL	WIDTH	COIL MODEL ²	STAGE	COOLING				
					RATED CFM	NET MBH		SEER	EER
						TOTAL	SENS.		
AC19B48B21S	CP9C100C16MP13C	21.0	XAHD60G	2	1475	47.0	33.2	—	12.75
AC19B48B21S	CP9C100C16MP13C	24.5	XAHD60H	1	975	40.0	25.8	17.25	24.90
AC19B48B21S	CP9C100C16MP13C	24.5	XAHD60H	2	1425	47.5	32.8	—	13.00
AC19B48B21S	CP9C100C16MP13C	24.5	XAHD60J	1	1025	40.5	26.0	17.50	25.00
AC19B48B21S	CP9C100C16MP13C	24.5	XAHD60J	2	1475	48.0	33.0	—	13.00
AC19B48B21S	CP9C100C20MP12C	21.0	CF/CM/CU48C	1	825	38.0	25.2	17.00	24.50
AC19B48B21S	CP9C100C20MP12C	21.0	CF/CM/CU48C	2	1350	48.0	34.8	17.00	13.00
AC19B48B21S	CP9C100C20MP12C	21.0	CF/CM/CU60C	1	1050	39.5	28.4	16.75	24.50
AC19B48B21S	CP9C100C20MP12C	21.0	CF/CM/CU60C	2	1625	48.0	37.4	16.75	12.50
AC19B48B21S	CP9C100C20MP12C	21.0	CF/CM64D	1	900	39.0	26.8	17.00	24.80
AC19B48B21S	CP9C100C20MP12C	21.0	CF/CM64D	2	1475	48.0	36.2	17.00	13.00
AC19B48B21S	CP9C100C20MP13C	21.0	CF/CM/CU48C	1	825	38.0	25.2	17.00	24.50
AC19B48B21S	CP9C100C20MP13C	21.0	CF/CM/CU48C	2	1350	48.0	34.8	17.00	13.00
AC19B48B21S	CP9C100C20MP13C	21.0	CF/CM/CU60C	1	1050	39.5	28.4	16.75	24.50
AC19B48B21S	CP9C100C20MP13C	21.0	CF/CM/CU60C	2	1625	48.0	37.4	16.75	12.50
AC19B48B21S	CP9C100C20MP13C	21.0	CF/CM64D	1	900	39.0	26.8	17.00	24.80
AC19B48B21S	CP9C100C20MP13C	21.0	CF/CM64D	2	1475	48.0	36.2	17.00	13.00
AC19B48B21S	CP9C100C20MP13C	21.0	XAF/XAUC48F	1	875	38.5	23.8	16.75	24.10
AC19B48B21S	CP9C100C20MP13C	21.0	XAF/XAUC48F	2	1475	47.0	32.6	—	12.50
AC19B48B21S	CP9C100C20MP13C	21.0	XAF/XAUC60G	1	875	39.0	24.2	17.00	24.85
AC19B48B21S	CP9C100C20MP13C	21.0	XAF/XAUC60G	2	1475	47.0	33.0	—	12.50
AC19B48B21S	CP9C100C20MP13C	24.5	XAF/XAUD60G	1	875	39.0	24.2	16.75	24.75
AC19B48B21S	CP9C100C20MP13C	24.5	XAF/XAUD60G	2	1475	47.0	32.8	—	12.75
AC19B48B21S	CP9C100C20MP13C	24.5	XAF/XAUD60H	1	900	39.5	25.0	17.00	24.75
AC19B48B21S	CP9C100C20MP13C	24.5	XAF/XAUD60H	2	1475	48.0	33.2	—	13.00
AC19B48B21S	CP9C100C20MP13C	21.0	XAFC60H	1	900	39.5	25.0	17.25	25.00
AC19B48B21S	CP9C100C20MP13C	21.0	XAFC60H	2	1475	48.0	33.4	—	13.00
AC19B48B21S	CP9C100C20MP13C	24.5	XAFD48F	1	875	38.5	23.8	16.75	24.10
AC19B48B21S	CP9C100C20MP13C	24.5	XAFD48F	2	1475	47.0	32.4	—	12.50
AC19B48B21S	CP9C100C20MP13C	24.5	XAFD60J	1	875	39.0	24.0	17.25	25.00
AC19B48B21S	CP9C100C20MP13C	24.5	XAFD60J	2	1475	48.0	33.0	—	13.00
AC19B48B21S	CP9C100C20MP13C	21.0	XAHC48F	1	875	38.5	23.8	16.75	24.30
AC19B48B21S	CP9C100C20MP13C	21.0	XAHC48F	2	1475	47.0	32.6	—	12.50
AC19B48B21S	CP9C100C20MP13C	21.0	XAHC60G	1	875	39.0	24.2	17.00	25.10
AC19B48B21S	CP9C100C20MP13C	21.0	XAHC60G	2	1475	47.0	33.0	—	12.50
AC19B48B21S	CP9C100C20MP13C	21.0	XAHC60H	1	900	39.5	24.8	17.50	25.35
AC19B48B21S	CP9C100C20MP13C	21.0	XAHC60H	2	1475	48.0	33.4	—	13.00
AC19B48B21S	CP9C100C20MP13C	24.5	XAHD48F	1	875	38.5	23.8	16.75	24.10
AC19B48B21S	CP9C100C20MP13C	24.5	XAHD48F	2	1475	47.0	32.4	—	12.50
AC19B48B21S	CP9C100C20MP13C	21.0	XAHD60G	1	875	39.0	24.2	16.75	24.60
AC19B48B21S	CP9C100C20MP13C	21.0	XAHD60G	2	1475	47.0	33.2	—	12.75
AC19B48B21S	CP9C100C20MP13C	24.5	XAHD60H	1	900	39.5	25.0	17.00	24.85
AC19B48B21S	CP9C100C20MP13C	24.5	XAHD60H	2	1475	48.0	33.2	—	13.00
AC19B48B21S	CP9C100C20MP13C	24.5	XAHD60J	1	875	39.0	24.0	17.25	25.00
AC19B48B21S	CP9C100C20MP13C	24.5	XAHD60J	2	1475	48.0	33.0	—	13.00
AC19B48B21S	CP9C120D20MP12C	24.5	CF/CM/CU48D	1	925	38.5	26.4	17.00	24.85
AC19B48B21S	CP9C120D20MP12C	24.5	CF/CM/CU48D	2	1425	48.0	35.6	17.00	13.25
AC19B48B21S	CP9C120D20MP12C	24.5	CF/CM/CU60D	1	1000	39.5	28.0	17.00	25.15
AC19B48B21S	CP9C120D20MP12C	24.5	CF/CM/CU60D	2	1575	48.0	37.0	17.00	13.25
AC19B48B21S	CP9C120D20MP12C	24.5	CF/CM64D	1	925	39.5	27.2	17.25	25.15
AC19B48B21S	CP9C120D20MP12C	24.5	CF/CM64D	2	1425	48.0	35.6	17.25	13.25

SYSTEM CAPACITY - With High Efficiency Motor Furnaces¹ (Continued)

UNIT MODEL	FURNACE MODEL	WIDTH	COIL MODEL ²	STAGE	COOLING				
					RATED CFM	NET MBH		SEER	EER
						TOTAL	SENS.		
AC19B48B21S	CP9C120D20MP13C	24.5	CF/CM/CU48D	1	925	38.5	26.4	17.00	24.85
AC19B48B21S	CP9C120D20MP13C	24.5	CF/CM/CU48D	2	1425	48.0	35.6	17.00	13.25
AC19B48B21S	CP9C120D20MP13C	24.5	CF/CM/CU60D	1	1000	39.5	28.0	17.00	25.15
AC19B48B21S	CP9C120D20MP13C	24.5	CF/CM/CU60D	2	1575	48.0	37.0	17.00	13.25
AC19B48B21S	CP9C120D20MP13C	24.5	CF/CM64D	1	925	39.5	27.2	17.25	25.15
AC19B48B21S	CP9C120D20MP13C	24.5	CF/CM64D	2	1425	48.0	35.6	17.25	13.25
AC19B48B21S	CP9C120D20MP13C	24.5	XAF/XAUD60G	1	1000	40.0	25.6	17.00	25.25
AC19B48B21S	CP9C120D20MP13C	24.5	XAF/XAUD60G	2	1575	47.5	33.6	—	13.00
AC19B48B21S	CP9C120D20MP13C	24.5	XAF/XAUD60H	1	1000	40.0	25.8	17.25	25.25
AC19B48B21S	CP9C120D20MP13C	24.5	XAF/XAUD60H	2	1575	48.0	34.0	—	13.00
AC19B48B21S	CP9C120D20MP13C	24.5	XAFD48F	1	925	39.0	24.4	17.00	24.40
AC19B48B21S	CP9C120D20MP13C	24.5	XAFD48F	2	1425	47.0	32.2	—	12.75
AC19B48B21S	CP9C120D20MP13C	24.5	XAFD60J	1	1000	40.0	25.6	17.50	25.50
AC19B48B21S	CP9C120D20MP13C	24.5	XAFD60J	2	1575	48.0	34.0	—	13.00
AC19B48B21S	CP9C120D20MP13C	24.5	XAHD48F	1	925	39.0	24.4	17.00	24.40
AC19B48B21S	CP9C120D20MP13C	24.5	XAHD48F	2	1425	47.0	32.2	—	12.75
AC19B48B21S	CP9C120D20MP13C	21.0	XAHD60G	1	1000	40.0	25.6	17.00	25.10
AC19B48B21S	CP9C120D20MP13C	21.0	XAHD60G	2	1575	47.5	33.6	—	12.75
AC19B48B21S	CP9C120D20MP13C	24.5	XAHD60H	1	1000	40.0	25.8	17.25	25.35
AC19B48B21S	CP9C120D20MP13C	24.5	XAHD60H	2	1575	48.0	34.0	—	13.00
AC19B48B21S	CP9C120D20MP13C	24.5	XAHD60J	1	1000	40.0	25.6	17.50	25.50
AC19B48B21S	CP9C120D20MP13C	24.5	XAHD60J	2	1575	48.0	34.0	—	13.00
AC19B48B21S	CPLC080C16MP12C	21.0	CF/CM/CU48C	1	875	38.5	26.0	17.00	24.40
AC19B48B21S	CPLC080C16MP12C	21.0	CF/CM/CU48C	2	1375	48.0	35.0	17.00	13.00
AC19B48B21S	CPLC080C16MP12C	21.0	CF/CM/CU60C	1	900	38.5	26.4	16.75	24.45
AC19B48B21S	CPLC080C16MP12C	21.0	CF/CM/CU60C	2	1425	48.0	35.6	16.75	13.00
AC19B48B21S	CPLC080C16MP12C	21.0	CF/CM64D	1	975	39.5	27.4	17.00	24.85
AC19B48B21S	CPLC080C16MP12C	21.0	CF/CM64D	2	1425	48.0	35.6	17.00	13.00
AC19B48B21S	CPLC080C16MP13C	21.0	CF/CM/CU48C	1	875	38.5	26.0	17.00	24.40
AC19B48B21S	CPLC080C16MP13C	21.0	CF/CM/CU48C	2	1375	48.0	35.0	17.00	13.00
AC19B48B21S	CPLC080C16MP13C	21.0	CF/CM/CU60C	1	900	38.5	26.4	16.75	24.45
AC19B48B21S	CPLC080C16MP13C	21.0	CF/CM/CU60C	2	1425	48.0	35.6	16.75	13.00
AC19B48B21S	CPLC080C16MP13C	21.0	CF/CM64D	1	975	39.5	27.4	17.00	24.85
AC19B48B21S	CPLC080C16MP13C	21.0	CF/CM64D	2	1425	48.0	35.6	17.00	13.00
AC19B48B21S	CPLC080C16MP13C	21.0	XAF/XAUC48F	1	900	38.5	24.0	16.75	24.10
AC19B48B21S	CPLC080C16MP13C	21.0	XAF/XAUC48F	2	1425	47.0	32.4	—	12.50
AC19B48B21S	CPLC080C16MP13C	21.0	XAF/XAUC60G	1	975	39.5	25.2	16.75	24.80
AC19B48B21S	CPLC080C16MP13C	21.0	XAF/XAUC60G	2	1425	47.0	32.8	—	12.75
AC19B48B21S	CPLC080C16MP13C	24.5	XAF/XAUD60G	1	900	39.0	24.4	16.75	24.75
AC19B48B21S	CPLC080C16MP13C	24.5	XAF/XAUD60G	2	1425	47.0	32.4	—	12.75
AC19B48B21S	CPLC080C16MP13C	24.5	XAF/XAUD60H	1	975	40.0	25.8	17.00	24.75
AC19B48B21S	CPLC080C16MP13C	24.5	XAF/XAUD60H	2	1425	47.5	32.8	—	13.00
AC19B48B21S	CPLC080C16MP13C	21.0	XAFC60H	1	975	40.0	25.8	17.25	24.95
AC19B48B21S	CPLC080C16MP13C	21.0	XAFC60H	2	1425	47.5	33.0	—	13.00
AC19B48B21S	CPLC080C16MP13C	24.5	XAFD48F	1	900	38.5	24.0	16.50	24.10
AC19B48B21S	CPLC080C16MP13C	24.5	XAFD48F	2	1425	47.0	32.0	—	12.75
AC19B48B21S	CPLC080C16MP13C	24.5	XAFD60J	1	975	40.0	25.4	17.25	25.00
AC19B48B21S	CPLC080C16MP13C	24.5	XAFD60J	2	1425	48.0	32.6	—	13.00
AC19B48B21S	CPLC080C16MP13C	21.0	XAHC48F	1	900	38.5	24.0	16.75	24.30
AC19B48B21S	CPLC080C16MP13C	21.0	XAHC48F	2	1425	47.0	32.4	—	12.50
AC19B48B21S	CPLC080C16MP13C	21.0	XAHC60G	1	900	39.5	24.6	17.00	25.30

SYSTEM CAPACITY - With High Efficiency Motor Furnaces¹ (Continued)

UNIT MODEL	FURNACE MODEL	WIDTH	COIL MODEL ²	STAGE	COOLING				
					RATED CFM	NET MBH		SEER	EER
						TOTAL	SENS.		
AC19B48B21S	CPLC080C16MP13C	21.0	XAHC60G	2	1375	46.5	32.4	—	13.00
AC19B48B21S	CPLC080C16MP13C	21.0	XAHC60H	1	975	40.0	25.6	17.50	25.30
AC19B48B21S	CPLC080C16MP13C	21.0	XAHC60H	2	1425	48.0	33.0	—	13.00
AC19B48B21S	CPLC080C16MP13C	24.5	XAHD48F	1	900	38.5	24.0	16.75	24.10
AC19B48B21S	CPLC080C16MP13C	24.5	XAHD48F	2	1425	47.0	32.0	—	12.50
AC19B48B21S	CPLC080C16MP13C	21.0	XAHD60G	1	1000	40.0	25.6	16.75	24.55
AC19B48B21S	CPLC080C16MP13C	21.0	XAHD60G	2	1425	47.0	32.8	—	12.50
AC19B48B21S	CPLC080C16MP13C	24.5	XAHD60H	1	975	40.0	25.8	17.00	24.85
AC19B48B21S	CPLC080C16MP13C	24.5	XAHD60H	2	1425	47.5	32.8	—	13.00
AC19B48B21S	CPLC080C16MP13C	24.5	XAHD60J	1	975	40.0	25.4	17.25	24.95
AC19B48B21S	CPLC080C16MP13C	24.5	XAHD60J	2	1425	48.0	32.6	—	13.00
AC19B48B21S	CPLC100C16MP12C	21.0	CF/CM/CU48C	1	875	38.5	26.0	17.00	24.40
AC19B48B21S	CPLC100C16MP12C	21.0	CF/CM/CU48C	2	1375	48.0	35.0	17.00	13.00
AC19B48B21S	CPLC100C16MP12C	21.0	CF/CM/CU60C	1	900	38.5	26.4	16.75	24.45
AC19B48B21S	CPLC100C16MP12C	21.0	CF/CM/CU60C	2	1425	48.0	35.6	16.75	13.00
AC19B48B21S	CPLC100C16MP12C	21.0	CF/CM64D	1	975	39.5	27.4	17.00	24.85
AC19B48B21S	CPLC100C16MP12C	21.0	CF/CM64D	2	1425	48.0	35.6	17.00	13.00
AC19B48B21S	CPLC100C16MP13C	21.0	CF/CM/CU48C	1	875	38.5	26.0	17.00	24.40
AC19B48B21S	CPLC100C16MP13C	21.0	CF/CM/CU48C	2	1375	48.0	35.0	17.00	13.00
AC19B48B21S	CPLC100C16MP13C	21.0	CF/CM/CU60C	1	900	38.5	26.4	16.75	24.45
AC19B48B21S	CPLC100C16MP13C	21.0	CF/CM/CU60C	2	1425	48.0	35.6	16.75	13.00
AC19B48B21S	CPLC100C16MP13C	21.0	CF/CM64D	1	975	39.5	27.4	17.00	24.85
AC19B48B21S	CPLC100C16MP13C	21.0	CF/CM64D	2	1425	48.0	35.6	17.00	13.00
AC19B48B21S	CPLC100C16MP13C	21.0	XAF/XAUC48F	1	900	38.5	24.0	16.75	24.10
AC19B48B21S	CPLC100C16MP13C	21.0	XAF/XAUC48F	2	1425	47.0	32.4	—	12.50
AC19B48B21S	CPLC100C16MP13C	21.0	XAF/XAUC60G	1	975	39.5	25.2	16.75	24.80
AC19B48B21S	CPLC100C16MP13C	21.0	XAF/XAUC60G	2	1425	47.0	32.8	—	12.75
AC19B48B21S	CPLC100C16MP13C	24.5	XAF/XAUD60G	1	900	39.0	24.4	16.75	24.75
AC19B48B21S	CPLC100C16MP13C	24.5	XAF/XAUD60G	2	1425	47.0	32.4	—	12.75
AC19B48B21S	CPLC100C16MP13C	24.5	XAF/XAUD60H	1	975	40.0	25.8	17.00	24.75
AC19B48B21S	CPLC100C16MP13C	24.5	XAF/XAUD60H	2	1425	47.5	32.8	—	13.00
AC19B48B21S	CPLC100C16MP13C	21.0	XAFC60H	1	975	40.0	25.8	17.25	24.95
AC19B48B21S	CPLC100C16MP13C	21.0	XAFC60H	2	1425	47.5	33.0	—	13.00
AC19B48B21S	CPLC100C16MP13C	24.5	XAFD48F	1	900	38.5	24.0	16.50	24.10
AC19B48B21S	CPLC100C16MP13C	24.5	XAFD48F	2	1425	47.0	32.0	—	12.75
AC19B48B21S	CPLC100C16MP13C	24.5	XAFD60J	1	975	40.0	25.4	17.25	25.00
AC19B48B21S	CPLC100C16MP13C	24.5	XAFD60J	2	1425	48.0	32.6	—	13.00
AC19B48B21S	CPLC100C16MP13C	21.0	XAHC48F	1	900	38.5	24.0	16.75	24.30
AC19B48B21S	CPLC100C16MP13C	21.0	XAHC48F	2	1425	47.0	32.4	—	12.50
AC19B48B21S	CPLC100C16MP13C	21.0	XAHC60G	1	900	39.5	24.6	17.00	25.30
AC19B48B21S	CPLC100C16MP13C	21.0	XAHC60G	2	1375	46.5	32.4	—	13.00
AC19B48B21S	CPLC100C16MP13C	21.0	XAHC60H	1	975	40.0	25.6	17.50	25.30
AC19B48B21S	CPLC100C16MP13C	21.0	XAHC60H	2	1425	48.0	33.0	—	13.00
AC19B48B21S	CPLC100C16MP13C	24.5	XAHD48F	1	900	38.5	24.0	16.75	24.10
AC19B48B21S	CPLC100C16MP13C	24.5	XAHD48F	2	1425	47.0	32.0	—	12.50
AC19B48B21S	CPLC100C16MP13C	21.0	XAHD60G	1	1000	40.0	25.6	16.75	24.55
AC19B48B21S	CPLC100C16MP13C	21.0	XAHD60G	2	1425	47.0	32.8	—	12.50
AC19B48B21S	CPLC100C16MP13C	24.5	XAHD60H	1	975	40.0	25.8	17.00	24.85
AC19B48B21S	CPLC100C16MP13C	24.5	XAHD60H	2	1425	47.5	32.8	—	13.00
AC19B48B21S	CPLC100C16MP13C	24.5	XAHD60J	1	975	40.0	25.4	17.25	24.95
AC19B48B21S	CPLC100C16MP13C	24.5	XAHD60J	2	1425	48.0	32.6	—	13.00

SYSTEM CAPACITY - With High Efficiency Motor Furnaces¹ (Continued)

UNIT MODEL	FURNACE MODEL	WIDTH	COIL MODEL ²	STAGE	COOLING				
					RATED CFM	NET MBH		SEER	EER
						TOTAL	SENS.		
AC19B48B21S	CPLC100C20MP12C	21.0	CF/CM/CU48C	1	925	39.0	26.4	17.25	24.95
AC19B48B21S	CPLC100C20MP12C	21.0	CF/CM/CU48C	2	1375	48.0	35.0	17.25	13.25
AC19B48B21S	CPLC100C20MP12C	21.0	CF/CM/CU60C	1	1075	40.0	29.0	17.00	25.05
AC19B48B21S	CPLC100C20MP12C	21.0	CF/CM/CU60C	2	1550	48.0	37.0	17.00	13.00
AC19B48B21S	CPLC100C20MP12C	21.0	CF/CM64D	1	975	40.0	28.0	17.25	25.30
AC19B48B21S	CPLC100C20MP12C	21.0	CF/CM64D	2	1425	48.0	35.6	17.25	13.25
AC19B48B21S	CPLC100C20MP13C	21.0	CF/CM/CU48C	1	925	39.0	26.4	17.25	24.95
AC19B48B21S	CPLC100C20MP13C	21.0	CF/CM/CU48C	2	1375	48.0	35.0	17.25	13.25
AC19B48B21S	CPLC100C20MP13C	21.0	CF/CM/CU60C	1	1075	40.0	29.0	17.00	25.05
AC19B48B21S	CPLC100C20MP13C	21.0	CF/CM/CU60C	2	1550	48.0	37.0	17.00	13.00
AC19B48B21S	CPLC100C20MP13C	21.0	CF/CM64D	1	975	40.0	28.0	17.25	25.30
AC19B48B21S	CPLC100C20MP13C	21.0	CF/CM64D	2	1425	48.0	35.6	17.25	13.25
AC19B48B21S	CPLC100C20MP13C	21.0	XAF/XAUC60G	1	975	40.0	25.4	17.00	25.25
AC19B48B21S	CPLC100C20MP13C	21.0	XAF/XAUC60G	2	1425	47.0	32.6	—	13.00
AC19B48B21S	CPLC100C20MP13C	24.5	XAF/XAUD60G	1	975	40.0	25.4	17.00	25.20
AC19B48B21S	CPLC100C20MP13C	24.5	XAF/XAUD60G	2	1425	47.0	32.2	—	13.00
AC19B48B21S	CPLC100C20MP13C	24.5	XAF/XAUD60H	1	1225	41.5	28.2	17.25	24.95
AC19B48B21S	CPLC100C20MP13C	24.5	XAF/XAUD60H	2	1775	48.0	35.2	—	12.50
AC19B48B21S	CPLC100C20MP13C	21.0	XAFC60H	1	975	40.0	25.6	17.50	25.35
AC19B48B21S	CPLC100C20MP13C	21.0	XAFC60H	2	1425	48.0	33.0	—	13.25
AC19B48B21S	CPLC100C20MP13C	24.5	XAFD48F	1	1225	40.5	27.2	16.75	24.30
AC19B48B21S	CPLC100C20MP13C	24.5	XAFD48F	2	1775	47.5	34.6	—	12.25
AC19B48B21S	CPLC100C20MP13C	24.5	XAFD60J	1	1000	40.0	25.6	17.50	25.45
AC19B48B21S	CPLC100C20MP13C	24.5	XAFD60J	2	1450	48.0	32.6	—	13.25
AC19B48B21S	CPLC100C20MP13C	21.0	XAHC48F	1	975	39.5	25.0	17.00	24.70
AC19B48B21S	CPLC100C20MP13C	21.0	XAHC48F	2	1425	47.0	32.2	—	12.75
AC19B48B21S	CPLC100C20MP13C	21.0	XAHC60G	1	1000	40.5	25.8	17.25	25.60
AC19B48B21S	CPLC100C20MP13C	21.0	XAHC60G	2	1450	47.5	32.8	—	13.00
AC19B48B21S	CPLC100C20MP13C	21.0	XAHC60H	1	925	40.0	25.2	17.50	25.70
AC19B48B21S	CPLC100C20MP13C	21.0	XAHC60H	2	1375	48.0	32.6	—	13.50
AC19B48B21S	CPLC100C20MP13C	24.5	XAHD60H	1	975	40.0	25.6	17.25	25.30
AC19B48B21S	CPLC100C20MP13C	24.5	XAHD60H	2	1425	48.0	32.6	—	13.25
AC19B48B21S	CPLC100C20MP13C	24.5	XAHD60J	1	975	40.0	25.4	17.50	25.35
AC19B48B21S	CPLC100C20MP13C	24.5	XAHD60J	2	1425	48.0	32.4	—	13.25
AC19B48B21S	CPLC120C20MP12C	21.0	CF/CM/CU48C	1	925	39.0	26.4	17.25	24.95
AC19B48B21S	CPLC120C20MP12C	21.0	CF/CM/CU48C	2	1375	48.0	35.0	17.25	13.25
AC19B48B21S	CPLC120C20MP12C	21.0	CF/CM/CU60C	1	1075	40.0	29.0	17.00	25.05
AC19B48B21S	CPLC120C20MP12C	21.0	CF/CM/CU60C	2	1550	48.0	37.0	17.00	13.00
AC19B48B21S	CPLC120C20MP12C	21.0	CF/CM64D	1	975	40.0	28.0	17.25	25.30
AC19B48B21S	CPLC120C20MP12C	21.0	CF/CM64D	2	1425	48.0	35.6	17.25	13.25
AC19B48B21S	CPLC120C20MP13C	21.0	CF/CM/CU48C	1	925	39.0	26.4	17.25	24.95
AC19B48B21S	CPLC120C20MP13C	21.0	CF/CM/CU48C	2	1375	48.0	35.0	17.25	13.25
AC19B48B21S	CPLC120C20MP13C	21.0	CF/CM/CU60C	1	1075	40.0	29.0	17.00	25.05
AC19B48B21S	CPLC120C20MP13C	21.0	CF/CM/CU60C	2	1550	48.0	37.0	17.00	13.00
AC19B48B21S	CPLC120C20MP13C	21.0	CF/CM64D	1	975	40.0	28.0	17.25	25.30
AC19B48B21S	CPLC120C20MP13C	21.0	CF/CM64D	2	1425	48.0	35.6	17.25	13.25
AC19B48B21S	CPLC120C20MP13C	21.0	XAF/XAUC60G	1	975	40.0	25.4	17.00	25.25
AC19B48B21S	CPLC120C20MP13C	21.0	XAF/XAUC60G	2	1425	47.0	32.6	—	13.00
AC19B48B21S	CPLC120C20MP13C	24.5	XAF/XAUD60G	1	975	40.0	25.4	17.00	25.20
AC19B48B21S	CPLC120C20MP13C	24.5	XAF/XAUD60G	2	1425	47.0	32.2	—	13.00
AC19B48B21S	CPLC120C20MP13C	24.5	XAF/XAUD60H	1	1225	41.5	28.2	17.25	24.95

SYSTEM CAPACITY - With High Efficiency Motor Furnaces¹ (Continued)

UNIT MODEL	FURNACE MODEL	WIDTH	COIL MODEL ²	STAGE	COOLING				
					RATED CFM	NET MBH		SEER	EER
						TOTAL	SENS.		
AC19B48B21S	CPLC120C20MP13C	24.5	XAF/XAUD60H	2	1775	48.0	35.2	—	12.50
AC19B48B21S	CPLC120C20MP13C	21.0	XAFC60H	1	975	40.0	25.6	17.50	25.35
AC19B48B21S	CPLC120C20MP13C	21.0	XAFC60H	2	1425	48.0	33.0	—	13.25
AC19B48B21S	CPLC120C20MP13C	24.5	XAFD48F	1	1225	40.5	27.2	16.75	24.30
AC19B48B21S	CPLC120C20MP13C	24.5	XAFD48F	2	1775	47.5	34.6	—	12.25
AC19B48B21S	CPLC120C20MP13C	24.5	XAFD60J	1	1000	40.0	25.6	17.50	25.45
AC19B48B21S	CPLC120C20MP13C	24.5	XAFD60J	2	1450	48.0	32.6	—	13.25
AC19B48B21S	CPLC120C20MP13C	21.0	XAHC48F	1	975	39.5	25.0	17.00	24.70
AC19B48B21S	CPLC120C20MP13C	21.0	XAHC48F	2	1425	47.0	32.2	—	12.75
AC19B48B21S	CPLC120C20MP13C	21.0	XAHC60G	1	1000	40.5	25.8	17.25	25.60
AC19B48B21S	CPLC120C20MP13C	21.0	XAHC60G	2	1450	47.5	32.8	—	13.00
AC19B48B21S	CPLC120C20MP13C	21.0	XAHC60H	1	925	40.0	25.2	17.50	25.70
AC19B48B21S	CPLC120C20MP13C	21.0	XAHC60H	2	1375	48.0	32.6	—	13.50
AC19B48B21S	CPLC120C20MP13C	24.5	XAHD60H	1	975	40.0	25.6	17.25	25.30
AC19B48B21S	CPLC120C20MP13C	24.5	XAHD60H	2	1425	48.0	32.6	—	13.25
AC19B48B21S	CPLC120C20MP13C	24.5	XAHD60J	1	975	40.0	25.4	17.50	25.35
AC19B48B21S	CPLC120C20MP13C	24.5	XAHD60J	2	1425	48.0	32.4	—	13.25
AC19B60B21S	TL8E080C16UH11	21.0	CF/CM/CU60C	1	1000	44.0	29.8	15.50	21.75
AC19B60B21S	TL8E080C16UH11	21.0	CF/CM/CU60C	2	1550	56.5	40.5	15.50	12.00
AC19B60B21S	TL8E080C16UH11	21.0	CF/CM64D	1	1000	45.5	30.6	16.00	22.85
AC19B60B21S	TL8E080C16UH11	21.0	CF/CM64D	2	1550	58.0	41.5	16.00	12.50
AC19B60B21S	TL8E080C16UH11	21.0	XAF/XAUC60G	1	1000	45.5	28.6	15.50	22.60
AC19B60B21S	TL8E080C16UH11	21.0	XAF/XAUC60G	2	1550	54.5	38.0	—	11.75
AC19B60B21S	TL8E080C16UH11	24.5	XAF/XAUD60G	1	1000	45.5	28.6	15.50	22.55
AC19B60B21S	TL8E080C16UH11	24.5	XAF/XAUD60G	2	1550	55.0	37.8	—	11.75
AC19B60B21S	TL8E080C16UH11	24.5	XAF/XAUD60H	1	1150	47.0	30.8	15.75	22.50
AC19B60B21S	TL8E080C16UH11	24.5	XAF/XAUD60H	2	1550	56.0	38.0	—	12.00
AC19B60B21S	TL8E080C16UH11	21.0	XAFC60H	1	1150	47.0	30.8	15.75	22.55
AC19B60B21S	TL8E080C16UH11	21.0	XAFC60H	2	1550	55.5	38.5	—	12.00
AC19B60B21S	TL8E080C16UH11	24.5	XAFD60J	1	1000	45.5	28.4	15.75	22.75
AC19B60B21S	TL8E080C16UH11	24.5	XAFD60J	2	1550	57.0	38.0	—	12.00
AC19B60B21S	TL8E080C16UH11	21.0	XAHC60G	1	1025	45.5	28.8	15.50	22.80
AC19B60B21S	TL8E080C16UH11	21.0	XAHC60G	2	1550	54.5	38.0	—	11.75
AC19B60B21S	TL8E080C16UH11	21.0	XAHC60H	1	1050	46.0	29.4	16.00	23.00
AC19B60B21S	TL8E080C16UH11	21.0	XAHC60H	2	1550	55.5	38.5	—	12.00
AC19B60B21S	TL8E080C16UH11	21.0	XAHD60G	1	975	45.0	28.2	15.50	22.40
AC19B60B21S	TL8E080C16UH11	21.0	XAHD60G	2	1525	55.0	38.0	—	11.75
AC19B60B21S	TL8E080C16UH11	24.5	XAHD60H	1	1000	45.5	28.8	15.75	22.65
AC19B60B21S	TL8E080C16UH11	24.5	XAHD60H	2	1550	56.0	38.0	—	12.00
AC19B60B21S	TL8E080C16UH11	24.5	XAHD60J	1	1000	45.5	28.4	15.75	22.75
AC19B60B21S	TL8E080C16UH11	24.5	XAHD60J	2	1525	56.5	37.6	—	12.00
AC19B60B21S	TL8E100C20UH11	21.0	CF/CM/CU60C	1	1100	44.5	31.0	15.75	22.20
AC19B60B21S	TL8E100C20UH11	21.0	CF/CM/CU60C	2	1600	57.0	41.0	15.75	12.25
AC19B60B21S	TL8E100C20UH11	21.0	CF/CM/CU60D	1	1125	45.0	31.4	15.75	22.40
AC19B60B21S	TL8E100C20UH11	21.0	CF/CM/CU60D	2	1625	57.0	41.5	15.75	12.50
AC19B60B21S	TL8E100C20UH11	21.0	CF/CM64D	1	1100	46.0	32.0	16.25	23.10
AC19B60B21S	TL8E100C20UH11	21.0	CF/CM64D	2	1600	58.5	42.5	16.25	13.00
AC19B60B21S	TL8E100C20UH11	21.0	XAF/XAUC60G	1	1100	46.5	29.8	15.75	22.95
AC19B60B21S	TL8E100C20UH11	21.0	XAF/XAUC60G	2	1600	55.0	38.5	—	12.00
AC19B60B21S	TL8E100C20UH11	24.5	XAF/XAUD60G	1	1100	46.5	29.8	15.75	22.95
AC19B60B21S	TL8E100C20UH11	24.5	XAF/XAUD60G	2	1600	55.5	38.0	—	12.00

SYSTEM CAPACITY - With High Efficiency Motor Furnaces¹ (Continued)

UNIT MODEL	FURNACE MODEL	WIDTH	COIL MODEL ²	STAGE	COOLING				
					RATED CFM	NET MBH		SEER	EER
						TOTAL	SENS.		
AC19B60B21S	TL8E100C20UH11	24.5	XAF/XAUD60H	1	1075	46.5	30.0	16.00	22.90
AC19B60B21S	TL8E100C20UH11	24.5	XAF/XAUD60H	2	1600	56.5	39.0	—	12.25
AC19B60B21S	TL8E100C20UH11	21.0	XAFC60H	1	1100	46.5	30.0	16.00	23.10
AC19B60B21S	TL8E100C20UH11	21.0	XAFC60H	2	1600	56.0	39.0	—	12.25
AC19B60B21S	TL8E100C20UH11	24.5	XAFD60J	1	1100	46.5	29.8	16.00	23.10
AC19B60B21S	TL8E100C20UH11	24.5	XAFD60J	2	1600	57.5	38.5	—	12.25
AC19B60B21S	TL8E100C20UH11	21.0	XAHC60G	1	1125	46.5	30.0	15.75	23.15
AC19B60B21S	TL8E100C20UH11	21.0	XAHC60G	2	1600	55.0	38.5	—	12.00
AC19B60B21S	TL8E100C20UH11	21.0	XAHC60H	1	1150	47.0	30.6	16.25	23.40
AC19B60B21S	TL8E100C20UH11	21.0	XAHC60H	2	1600	56.0	39.0	—	12.25
AC19B60B21S	TL8E100C20UH11	21.0	XAHD60G	1	1075	46.0	29.4	15.75	22.80
AC19B60B21S	TL8E100C20UH11	21.0	XAHD60G	2	1575	55.0	38.5	—	12.00
AC19B60B21S	TL8E100C20UH11	24.5	XAHD60H	1	1100	46.5	30.0	16.00	23.05
AC19B60B21S	TL8E100C20UH11	24.5	XAHD60H	2	1600	56.5	38.5	—	12.25
AC19B60B21S	TL8E100C20UH11	24.5	XAHD60J	1	1100	46.5	29.8	16.00	23.10
AC19B60B21S	TL8E100C20UH11	24.5	XAHD60J	2	1575	56.5	38.0	—	12.25
AC19B60B21S	TL9E100C20UH11	21.0	CF/CM/CU60C	1	1175	45.5	32.4	15.75	22.15
AC19B60B21S	TL9E100C20UH11	21.0	CF/CM/CU60C	2	1600	56.5	41.0	15.75	12.25
AC19B60B21S	TL9E100C20UH11	21.0	CF/CM/CU60D	1	1200	45.5	32.4	15.75	22.30
AC19B60B21S	TL9E100C20UH11	21.0	CF/CM/CU60D	2	1625	57.0	41.5	15.75	12.25
AC19B60B21S	TL9E100C20UH11	21.0	CF/CM64D	1	1175	46.5	33.0	16.25	22.95
AC19B60B21S	TL9E100C20UH11	21.0	CF/CM64D	2	1600	58.5	42.5	16.25	12.50
AC19B60B21S	TL9E100C20UH11	21.0	XAF/XAUC60G	1	1175	47.0	30.6	15.75	22.80
AC19B60B21S	TL9E100C20UH11	21.0	XAF/XAUC60G	2	1600	55.0	38.5	—	12.00
AC19B60B21S	TL9E100C20UH11	24.5	XAF/XAUD60G	1	1175	47.0	30.6	15.75	22.80
AC19B60B21S	TL9E100C20UH11	24.5	XAF/XAUD60G	2	1600	55.5	38.5	—	12.00
AC19B60B21S	TL9E100C20UH11	24.5	XAF/XAUD60H	1	1150	47.0	30.8	15.75	22.80
AC19B60B21S	TL9E100C20UH11	24.5	XAF/XAUD60H	2	1600	56.5	38.5	—	12.00
AC19B60B21S	TL9E100C20UH11	21.0	XAFC60H	1	1175	47.0	31.0	16.00	22.95
AC19B60B21S	TL9E100C20UH11	21.0	XAFC60H	2	1600	56.0	39.0	—	12.25
AC19B60B21S	TL9E100C20UH11	24.5	XAFD60J	1	1175	47.0	30.6	16.00	23.00
AC19B60B21S	TL9E100C20UH11	24.5	XAFD60J	2	1600	57.0	38.5	—	12.00
AC19B60B21S	TL9E100C20UH11	21.0	XAHC60G	1	1200	47.0	30.8	15.75	22.95
AC19B60B21S	TL9E100C20UH11	21.0	XAHC60G	2	1600	55.0	38.5	—	12.00
AC19B60B21S	TL9E100C20UH11	21.0	XAHC60H	1	1200	47.5	31.4	16.00	23.10
AC19B60B21S	TL9E100C20UH11	21.0	XAHC60H	2	1600	56.0	39.0	—	12.25
AC19B60B21S	TL9E100C20UH11	21.0	XAHD60G	1	1150	46.5	30.2	15.75	22.70
AC19B60B21S	TL9E100C20UH11	21.0	XAHD60G	2	1575	55.0	38.0	—	12.00
AC19B60B21S	TL9E100C20UH11	24.5	XAHD60H	1	1175	47.0	31.0	16.00	22.90
AC19B60B21S	TL9E100C20UH11	24.5	XAHD60H	2	1600	56.5	38.5	—	12.00
AC19B60B21S	TL9E100C20UH11	24.5	XAHD60J	1	1175	47.0	30.6	16.00	22.95
AC19B60B21S	TL9E100C20UH11	24.5	XAHD60J	2	1575	56.5	38.5	—	12.00
AC19B60B21S	TM8E080C16MP11	21.0	CF/CM/CU60D	1	1175	45.5	32.4	15.75	22.15
AC19B60B21S	TM8E080C16MP11	21.0	CF/CM/CU60D	2	1600	56.5	41.0	15.75	12.25
AC19B60B21S	TM8E080C16MP11	21.0	CF/CM64D	1	1150	46.5	32.6	16.25	22.90
AC19B60B21S	TM8E080C16MP11	21.0	CF/CM64D	2	1575	58.5	42.0	16.25	12.50
AC19B60B21S	TM8E080C16MP11	21.0	XAF/XAUC60G	1	1025	45.5	28.8	15.75	22.70
AC19B60B21S	TM8E080C16MP11	21.0	XAF/XAUC60G	2	1575	54.5	38.0	—	11.75
AC19B60B21S	TM8E080C16MP11	24.5	XAF/XAUD60G	1	1150	46.5	30.2	15.50	22.70
AC19B60B21S	TM8E080C16MP11	24.5	XAF/XAUD60G	2	1575	55.0	37.8	—	11.75
AC19B60B21S	TM8E080C16MP11	24.5	XAF/XAUD60H	1	1125	46.5	30.4	15.75	22.60

SYSTEM CAPACITY - With High Efficiency Motor Furnaces¹ (Continued)

UNIT MODEL	FURNACE MODEL	WIDTH	COIL MODEL ²	STAGE	COOLING				
					RATED CFM	NET MBH		SEER	EER
						TOTAL	SENS.		
AC19B60B21S	TM8E080C16MP11	24.5	XAF/XAUD60H	2	1575	56.5	38.5	—	12.00
AC19B60B21S	TM8E080C16MP11	21.0	XAFC60H	1	1025	46.0	29.2	15.75	22.85
AC19B60B21S	TM8E080C16MP11	21.0	XAFC60H	2	1575	56.0	39.0	—	12.00
AC19B60B21S	TM8E080C16MP11	24.5	XAFD60J	1	1025	46.0	29.0	15.75	22.85
AC19B60B21S	TM8E080C16MP11	24.5	XAFD60J	2	1575	57.0	38.5	—	12.00
AC19B60B21S	TM8E080C16MP11	21.0	XAHC60G	1	1050	46.0	29.2	15.75	22.95
AC19B60B21S	TM8E080C16MP11	21.0	XAHC60G	2	1575	54.5	38.0	—	11.75
AC19B60B21S	TM8E080C16MP11	21.0	XAHC60H	1	1050	46.0	29.4	16.00	23.05
AC19B60B21S	TM8E080C16MP11	21.0	XAHC60H	2	1575	56.0	39.0	—	12.00
AC19B60B21S	TM8E080C16MP11	21.0	XAHD60G	1	1000	45.5	28.6	15.50	22.55
AC19B60B21S	TM8E080C16MP11	21.0	XAHD60G	2	1550	55.0	38.0	—	11.75
AC19B60B21S	TM8E080C16MP11	24.5	XAHD60H	1	1125	46.5	30.4	15.75	22.65
AC19B60B21S	TM8E080C16MP11	24.5	XAHD60H	2	1575	56.5	38.5	—	12.00
AC19B60B21S	TM8E080C16MP11	24.5	XAHD60J	1	1025	46.0	28.8	15.75	22.85
AC19B60B21S	TM8E080C16MP11	24.5	XAHD60J	2	1550	56.5	37.8	—	12.00
AC19B60B21S	TM8E080C20MP11	21.0	CF/CM/CU60C	1	1275	46.0	33.6	15.50	21.90
AC19B60B21S	TM8E080C20MP11	21.0	CF/CM/CU60C	2	1550	56.5	40.5	15.50	12.50
AC19B60B21S	TM8E080C20MP11	21.0	CF/CM/CU60D	1	1300	46.5	33.8	15.75	22.15
AC19B60B21S	TM8E080C20MP11	21.0	CF/CM/CU60D	2	1575	56.5	40.5	15.75	12.25
AC19B60B21S	TM8E080C20MP11	21.0	CF/CM64D	1	1300	47.5	34.8	16.25	22.95
AC19B60B21S	TM8E080C20MP11	21.0	CF/CM64D	2	1575	58.5	42.0	16.25	13.00
AC19B60B21S	TM8E080C20MP11	21.0	XAF/XAUC60G	1	1300	47.5	31.8	15.50	22.75
AC19B60B21S	TM8E080C20MP11	21.0	XAF/XAUC60G	2	1750	55.5	40.0	—	11.75
AC19B60B21S	TM8E080C20MP11	24.5	XAF/XAUD60G	1	1300	47.5	31.8	15.75	22.75
AC19B60B21S	TM8E080C20MP11	24.5	XAF/XAUD60G	2	1750	56.0	39.5	—	11.75
AC19B60B21S	TM8E080C20MP11	24.5	XAF/XAUD60H	1	1275	47.5	32.0	15.75	22.70
AC19B60B21S	TM8E080C20MP11	24.5	XAF/XAUD60H	2	1550	56.5	38.0	—	12.25
AC19B60B21S	TM8E080C20MP11	21.0	XAFC60H	1	1300	48.0	32.4	16.00	22.90
AC19B60B21S	TM8E080C20MP11	21.0	XAFC60H	2	1750	56.5	40.5	—	12.00
AC19B60B21S	TM8E080C20MP11	24.5	XAFD60J	1	1300	48.0	32.2	16.00	22.95
AC19B60B21S	TM8E080C20MP11	24.5	XAFD60J	2	1750	58.0	40.5	—	12.00
AC19B60B21S	TM8E080C20MP11	21.0	XAHC60G	1	1300	47.5	31.8	15.50	22.75
AC19B60B21S	TM8E080C20MP11	21.0	XAHC60G	2	1550	55.0	38.0	—	12.00
AC19B60B21S	TM8E080C20MP11	21.0	XAHC60H	1	1300	48.0	32.4	16.00	22.90
AC19B60B21S	TM8E080C20MP11	21.0	XAHC60H	2	1550	56.0	38.5	—	12.50
AC19B60B21S	TM8E080C20MP11	21.0	XAHD60G	1	1275	47.5	31.6	15.50	22.60
AC19B60B21S	TM8E080C20MP11	21.0	XAHD60G	2	1725	56.0	40.0	—	11.75
AC19B60B21S	TM8E080C20MP11	24.5	XAHD60H	1	1275	47.5	32.0	15.75	22.70
AC19B60B21S	TM8E080C20MP11	24.5	XAHD60H	2	1550	56.5	38.0	—	12.25
AC19B60B21S	TM8E080C20MP11	24.5	XAHD60J	1	1275	48.0	32.0	15.75	22.75
AC19B60B21S	TM8E080C20MP11	24.5	XAHD60J	2	1525	57.0	37.8	—	12.25
AC19B60B21S	TM8E100C16MP11	21.0	CF/CM/CU60D	1	1025	44.0	30.2	15.50	22.00
AC19B60B21S	TM8E100C16MP11	21.0	CF/CM/CU60D	2	1600	56.5	41.0	15.50	12.25
AC19B60B21S	TM8E100C16MP11	21.0	CF/CM64D	1	1175	46.5	33.0	16.25	22.85
AC19B60B21S	TM8E100C16MP11	21.0	CF/CM64D	2	1575	58.5	42.0	16.25	12.50
AC19B60B21S	TM8E100C16MP11	21.0	XAF/XAUC60G	1	1000	45.5	28.6	15.50	22.65
AC19B60B21S	TM8E100C16MP11	21.0	XAF/XAUC60G	2	1575	54.5	38.0	—	11.75
AC19B60B21S	TM8E100C16MP11	24.5	XAF/XAUD60G	1	1000	45.5	28.6	15.50	22.65
AC19B60B21S	TM8E100C16MP11	24.5	XAF/XAUD60G	2	1575	55.0	37.8	—	11.75
AC19B60B21S	TM8E100C16MP11	24.5	XAF/XAUD60H	1	1150	47.0	30.8	15.75	22.60
AC19B60B21S	TM8E100C16MP11	24.5	XAF/XAUD60H	2	1575	56.5	38.5	—	12.00

SYSTEM CAPACITY - With High Efficiency Motor Furnaces¹ (Continued)

UNIT MODEL	FURNACE MODEL	WIDTH	COIL MODEL ²	STAGE	COOLING				
					RATED CFM	NET MBH		SEER	EER
						TOTAL	SENS.		
AC19B60B21S	TM8E100C16MP11	21.0	XAFC60H	1	1150	47.0	30.8	15.75	22.65
AC19B60B21S	TM8E100C16MP11	21.0	XAFC60H	2	1575	56.0	39.0	—	12.00
AC19B60B21S	TM8E100C16MP11	24.5	XAFD60J	1	1025	46.0	29.0	15.75	22.90
AC19B60B21S	TM8E100C16MP11	24.5	XAFD60J	2	1575	57.0	38.5	—	12.00
AC19B60B21S	TM8E100C16MP11	21.0	XAHC60G	1	1025	46.0	29.0	15.75	22.80
AC19B60B21S	TM8E100C16MP11	21.0	XAHC60G	2	1575	54.5	38.0	—	11.75
AC19B60B21S	TM8E100C16MP11	21.0	XAHC60H	1	1050	46.0	29.4	16.00	23.10
AC19B60B21S	TM8E100C16MP11	21.0	XAHC60H	2	1575	56.0	39.0	—	12.00
AC19B60B21S	TM8E100C16MP11	21.0	XAHD60G	1	1125	46.5	30.0	15.50	22.40
AC19B60B21S	TM8E100C16MP11	21.0	XAHD60G	2	1550	55.0	38.0	—	11.75
AC19B60B21S	TM8E100C16MP11	24.5	XAHD60H	1	1000	45.5	28.8	15.75	22.75
AC19B60B21S	TM8E100C16MP11	24.5	XAHD60H	2	1575	56.5	38.5	—	12.00
AC19B60B21S	TM8E100C16MP11	24.5	XAHD60J	1	1000	45.5	28.4	15.75	22.75
AC19B60B21S	TM8E100C16MP11	24.5	XAHD60J	2	1550	57.0	38.0	—	12.00
AC19B60B21S	TM8E100C20MP11	21.0	CF/CM/CU60C	1	1300	46.0	34.0	15.75	22.05
AC19B60B21S	TM8E100C20MP11	21.0	CF/CM/CU60C	2	1725	57.5	42.5	15.75	12.00
AC19B60B21S	TM8E100C20MP11	21.0	CF/CM/CU60D	1	1300	46.5	34.2	15.75	22.10
AC19B60B21S	TM8E100C20MP11	21.0	CF/CM/CU60D	2	1550	57.0	40.5	15.75	12.50
AC19B60B21S	TM8E100C20MP11	21.0	CF/CM64D	1	1275	47.5	34.6	16.25	22.75
AC19B60B21S	TM8E100C20MP11	21.0	CF/CM64D	2	1525	58.0	41.5	16.25	12.75
AC19B60B21S	TM8E100C20MP11	21.0	XAF/XAUC60G	1	1275	47.5	31.6	15.75	22.60
AC19B60B21S	TM8E100C20MP11	21.0	XAF/XAUC60G	2	1500	54.5	37.6	—	12.00
AC19B60B21S	TM8E100C20MP11	24.5	XAF/XAUD60G	1	1275	47.5	31.6	15.75	22.55
AC19B60B21S	TM8E100C20MP11	24.5	XAF/XAUD60G	2	1525	55.0	37.4	—	12.00
AC19B60B21S	TM8E100C20MP11	24.5	XAF/XAUD60H	1	1275	47.5	32.0	15.75	22.75
AC19B60B21S	TM8E100C20MP11	24.5	XAF/XAUD60H	2	1725	57.0	40.0	—	12.00
AC19B60B21S	TM8E100C20MP11	21.0	XAFC60H	1	1275	47.5	32.0	15.75	22.70
AC19B60B21S	TM8E100C20MP11	21.0	XAFC60H	2	1525	56.0	38.5	—	12.50
AC19B60B21S	TM8E100C20MP11	24.5	XAFD60J	1	1275	47.5	31.8	15.75	22.80
AC19B60B21S	TM8E100C20MP11	24.5	XAFD60J	2	1500	57.0	37.6	—	12.25
AC19B60B21S	TM8E100C20MP11	21.0	XAHC60G	1	1300	47.5	31.8	15.75	22.75
AC19B60B21S	TM8E100C20MP11	21.0	XAHC60G	2	1725	55.5	40.0	—	11.75
AC19B60B21S	TM8E100C20MP11	21.0	XAHC60H	1	1300	48.0	32.4	16.00	22.85
AC19B60B21S	TM8E100C20MP11	21.0	XAHC60H	2	1525	56.0	38.5	—	12.50
AC19B60B21S	TM8E100C20MP11	21.0	XAHD60G	1	1275	47.5	31.6	15.50	22.55
AC19B60B21S	TM8E100C20MP11	21.0	XAHD60G	2	1725	56.0	40.0	—	11.75
AC19B60B21S	TM8E100C20MP11	24.5	XAHD60H	1	1275	47.5	32.0	15.75	22.75
AC19B60B21S	TM8E100C20MP11	24.5	XAHD60H	2	1725	57.0	40.0	—	12.00
AC19B60B21S	TM8E100C20MP11	24.5	XAHD60J	1	1275	47.5	31.8	15.75	22.80
AC19B60B21S	TM8E100C20MP11	24.5	XAHD60J	2	1725	57.5	40.0	—	12.00
AC19B60B21S	TM8E120C16MP11	21.0	CF/CM/CU60D	1	1025	44.0	30.2	15.50	22.00
AC19B60B21S	TM8E120C16MP11	21.0	CF/CM/CU60D	2	1600	56.5	41.0	15.50	12.25
AC19B60B21S	TM8E120C16MP11	21.0	CF/CM64D	1	1025	45.5	31.2	16.25	22.95
AC19B60B21S	TM8E120C16MP11	21.0	CF/CM64D	2	1575	58.5	42.0	16.25	12.50
AC19B60B21S	TM8E120C16MP11	21.0	XAF/XAUC60G	1	1025	45.5	28.8	15.75	22.75
AC19B60B21S	TM8E120C16MP11	21.0	XAF/XAUC60G	2	1575	54.5	38.0	—	11.75
AC19B60B21S	TM8E120C16MP11	24.5	XAF/XAUD60G	1	1000	45.5	28.6	15.50	22.65
AC19B60B21S	TM8E120C16MP11	24.5	XAF/XAUD60G	2	1575	55.0	37.8	—	11.75
AC19B60B21S	TM8E120C16MP11	24.5	XAF/XAUD60H	1	1150	47.0	30.8	15.75	22.65
AC19B60B21S	TM8E120C16MP11	24.5	XAF/XAUD60H	2	1575	56.5	38.5	—	12.00
AC19B60B21S	TM8E120C16MP11	21.0	XAFC60H	1	1025	46.0	29.2	15.75	22.90

SYSTEM CAPACITY - With High Efficiency Motor Furnaces¹ (Continued)

UNIT MODEL	FURNACE MODEL	WIDTH	COIL MODEL ²	STAGE	COOLING				
					RATED CFM	NET MBH		SEER	EER
						TOTAL	SENS.		
AC19B60B21S	TM8E120C16MP11	21.0	XAFC60H	2	1575	56.0	39.0	—	12.25
AC19B60B21S	TM8E120C16MP11	24.5	XAFD60J	1	1025	46.0	29.0	15.75	22.90
AC19B60B21S	TM8E120C16MP11	24.5	XAFD60J	2	1575	57.0	38.5	—	12.00
AC19B60B21S	TM8E120C16MP11	21.0	XAHC60G	1	1050	46.0	29.2	15.75	23.00
AC19B60B21S	TM8E120C16MP11	21.0	XAHC60G	2	1575	54.5	38.0	—	11.75
AC19B60B21S	TM8E120C16MP11	21.0	XAHC60H	1	1050	46.0	29.4	16.00	23.10
AC19B60B21S	TM8E120C16MP11	21.0	XAHC60H	2	1575	56.0	39.0	—	12.25
AC19B60B21S	TM8E120C16MP11	21.0	XAHD60G	1	1000	45.5	28.6	15.50	22.60
AC19B60B21S	TM8E120C16MP11	21.0	XAHD60G	2	1575	55.0	38.0	—	11.75
AC19B60B21S	TM8E120C16MP11	24.5	XAHD60H	1	1150	47.0	30.8	15.75	22.65
AC19B60B21S	TM8E120C16MP11	24.5	XAHD60H	2	1575	56.5	38.5	—	12.00
AC19B60B21S	TM8E120C16MP11	24.5	XAHD60J	1	1025	46.0	29.0	15.75	22.90
AC19B60B21S	TM8E120C16MP11	24.5	XAHD60J	2	1575	57.0	38.5	—	12.00
AC19B60B21S	TM8E120C20MP11	21.0	CF/CM/CU60C	1	1325	46.5	34.0	15.50	22.00
AC19B60B21S	TM8E120C20MP11	21.0	CF/CM/CU60C	2	1750	57.5	42.5	15.50	12.25
AC19B60B21S	TM8E120C20MP11	21.0	CF/CM/CU60D	1	1325	46.5	34.2	15.75	22.00
AC19B60B21S	TM8E120C20MP11	21.0	CF/CM/CU60D	2	1525	56.5	40.5	15.75	12.50
AC19B60B21S	TM8E120C20MP11	21.0	CF/CM64D	1	1325	47.5	35.0	16.00	22.75
AC19B60B21S	TM8E120C20MP11	21.0	CF/CM64D	2	1525	58.0	41.5	16.00	13.00
AC19B60B21S	TM8E120C20MP11	21.0	XAF/XAUC60G	1	1300	47.5	31.8	15.50	22.45
AC19B60B21S	TM8E120C20MP11	21.0	XAF/XAUC60G	2	1500	54.5	37.4	—	12.25
AC19B60B21S	TM8E120C20MP11	24.5	XAF/XAUD60G	1	1325	47.5	32.0	15.75	22.60
AC19B60B21S	TM8E120C20MP11	24.5	XAF/XAUD60G	2	1750	56.0	39.5	—	11.75
AC19B60B21S	TM8E120C20MP11	24.5	XAF/XAUD60H	1	1300	48.0	32.4	15.75	22.65
AC19B60B21S	TM8E120C20MP11	24.5	XAF/XAUD60H	2	1750	57.0	40.0	—	12.00
AC19B60B21S	TM8E120C20MP11	21.0	XAFC60H	1	1300	47.5	32.2	15.75	22.60
AC19B60B21S	TM8E120C20MP11	21.0	XAFC60H	2	1500	56.0	38.0	—	12.50
AC19B60B21S	TM8E120C20MP11	24.5	XAFD60J	1	1325	48.0	32.4	15.75	22.80
AC19B60B21S	TM8E120C20MP11	24.5	XAFD60J	2	1750	58.0	40.5	—	12.00
AC19B60B21S	TM8E120C20MP11	21.0	XAHC60G	1	1325	47.5	32.0	15.50	22.65
AC19B60B21S	TM8E120C20MP11	21.0	XAHC60G	2	1750	55.5	40.0	—	11.75
AC19B60B21S	TM8E120C20MP11	21.0	XAHC60H	1	1350	48.0	32.8	16.00	22.90
AC19B60B21S	TM8E120C20MP11	21.0	XAHC60H	2	1750	56.5	40.5	—	12.00
AC19B60B21S	TM8E120C20MP11	21.0	XAHD60G	1	1300	47.5	31.8	15.50	22.45
AC19B60B21S	TM8E120C20MP11	21.0	XAHD60G	2	1725	56.0	40.0	—	11.75
AC19B60B21S	TM8E120C20MP11	24.5	XAHD60H	1	1325	48.0	32.6	15.75	22.75
AC19B60B21S	TM8E120C20MP11	24.5	XAHD60H	2	1750	57.0	40.0	—	12.00
AC19B60B21S	TM8E120C20MP11	24.5	XAHD60J	1	1300	48.0	32.2	15.75	22.65
AC19B60B21S	TM8E120C20MP11	24.5	XAHD60J	2	1500	57.0	37.6	—	12.25
AC19B60B21S	TM8E130D20MP11	24.5	CF/CM/CU60D	1	1350	46.5	34.4	15.75	22.15
AC19B60B21S	TM8E130D20MP11	24.5	CF/CM/CU60D	2	1650	57.5	42.0	15.75	12.50
AC19B60B21S	TM8E130D20MP11	24.5	CF/CM64D	1	1325	47.5	35.0	16.25	22.80
AC19B60B21S	TM8E130D20MP11	24.5	CF/CM64D	2	1625	58.5	43.0	16.25	12.75
AC19B60B21S	TM8E130D20MP11	24.5	XAF/XAUD60G	1	1325	47.5	32.0	15.75	22.70
AC19B60B21S	TM8E130D20MP11	24.5	XAF/XAUD60G	2	1800	55.5	40.5	—	11.75
AC19B60B21S	TM8E130D20MP11	24.5	XAF/XAUD60H	1	1300	48.0	32.4	15.75	22.65
AC19B60B21S	TM8E130D20MP11	24.5	XAF/XAUD60H	2	1625	56.5	39.5	—	12.25
AC19B60B21S	TM8E130D20MP11	24.5	XAFD60J	1	1325	48.0	32.4	16.00	22.85
AC19B60B21S	TM8E130D20MP11	24.5	XAFD60J	2	1625	57.0	39.0	—	12.25
AC19B60B21S	TM8E130D20MP11	21.0	XAHD60G	1	1300	47.5	31.8	15.50	22.50
AC19B60B21S	TM8E130D20MP11	21.0	XAHD60G	2	1600	55.0	38.5	—	12.00

SYSTEM CAPACITY - With High Efficiency Motor Furnaces¹ (Continued)

UNIT MODEL	FURNACE MODEL	WIDTH	COIL MODEL ²	STAGE	COOLING				
					RATED CFM	NET MBH		SEER	EER
						TOTAL	SENS.		
AC19B60B21S	TM8E130D20MP11	24.5	XAHD60H	1	1300	48.0	32.4	15.75	22.65
AC19B60B21S	TM8E130D20MP11	24.5	XAHD60H	2	1625	56.5	39.5	—	12.25
AC19B60B21S	TM8E130D20MP11	24.5	XAHD60J	1	1300	48.0	32.2	15.75	22.70
AC19B60B21S	TM8E130D20MP11	24.5	XAHD60J	2	1600	57.0	39.0	—	12.25
AC19B60B21S	TM8V080C16MP12C	21.0	CF/CM/CU60C	1	1100	45.5	31.8	15.75	22.35
AC19B60B21S	TM8V080C16MP12C	21.0	CF/CM/CU60C	2	1700	57.5	42.5	15.75	12.00
AC19B60B21S	TM8V080C16MP12C	21.0	CF/CM/CU60D	1	1100	45.5	31.8	16.00	22.45
AC19B60B21S	TM8V080C16MP12C	21.0	CF/CM/CU60D	2	1700	57.5	42.5	16.00	12.00
AC19B60B21S	TM8V080C16MP12C	21.0	CF/CM64D	1	1100	46.0	32.0	16.00	22.60
AC19B60B21S	TM8V080C16MP12C	21.0	CF/CM64D	2	1725	58.5	43.5	16.00	12.00
AC19B60B21S	TM8V100C16MP11C	21.0	CF/CM/CU60C	1	1100	45.5	31.8	15.75	22.35
AC19B60B21S	TM8V100C16MP11C	21.0	CF/CM/CU60C	2	1700	57.5	42.5	15.75	12.00
AC19B60B21S	TM8V100C16MP11C	21.0	CF/CM/CU60D	1	1100	45.5	31.8	16.00	22.45
AC19B60B21S	TM8V100C16MP11C	21.0	CF/CM/CU60D	2	1700	57.5	42.5	16.00	12.00
AC19B60B21S	TM8V100C16MP11C	21.0	CF/CM64D	1	1100	46.0	32.0	16.00	22.60
AC19B60B21S	TM8V100C16MP11C	21.0	CF/CM64D	2	1725	58.5	43.5	16.00	12.00
AC19B60B21S	TM8V100C16MP12C	21.0	CF/CM/CU60C	1	1100	45.5	31.8	15.75	22.35
AC19B60B21S	TM8V100C16MP12C	21.0	CF/CM/CU60C	2	1700	57.5	42.5	15.75	12.00
AC19B60B21S	TM8V100C16MP12C	21.0	CF/CM/CU60D	1	1100	45.5	31.8	16.00	22.45
AC19B60B21S	TM8V100C16MP12C	21.0	CF/CM/CU60D	2	1700	57.5	42.5	16.00	12.00
AC19B60B21S	TM8V100C16MP12C	21.0	CF/CM64D	1	1100	46.0	32.0	16.00	22.60
AC19B60B21S	TM8V100C16MP12C	21.0	CF/CM64D	2	1725	58.5	43.5	16.00	12.00
AC19B60B21S	TM8V100C20MP12C	21.0	CF/CM/CU60C	1	1075	45.5	31.6	16.00	22.60
AC19B60B21S	TM8V100C20MP12C	21.0	CF/CM/CU60C	2	1550	57.5	41.5	16.00	12.50
AC19B60B21S	TM8V100C20MP12C	21.0	CF/CM/CU60D	1	1100	46.0	31.8	16.25	22.85
AC19B60B21S	TM8V100C20MP12C	21.0	CF/CM/CU60D	2	1625	58.0	42.5	16.25	12.50
AC19B60B21S	TM8V100C20MP12C	21.0	CF/CM64D	1	1050	45.5	31.2	16.25	22.90
AC19B60B21S	TM8V100C20MP12C	21.0	CF/CM64D	2	1550	58.5	42.0	16.25	12.75
AC19B60B21S	TM8V100C20MP12C	21.0	XAF/XAUC60G	1	1225	47.0	31.0	15.75	22.80
AC19B60B21S	TM8V100C20MP12C	21.0	XAF/XAUC60G	2	1775	55.5	40.5	—	11.75
AC19B60B21S	TM8V100C20MP12C	24.5	XAF/XAUD60G	1	1225	47.0	31.0	15.75	22.80
AC19B60B21S	TM8V100C20MP12C	24.5	XAF/XAUD60G	2	1775	56.0	40.0	—	11.75
AC19B60B21S	TM8V100C20MP12C	24.5	XAF/XAUD60H	1	1225	47.5	31.6	15.75	22.85
AC19B60B21S	TM8V100C20MP12C	24.5	XAF/XAUD60H	2	1775	57.0	40.5	—	12.00
AC19B60B21S	TM8V100C20MP12C	21.0	XAFC60H	1	1225	47.5	31.6	16.00	22.95
AC19B60B21S	TM8V100C20MP12C	21.0	XAFC60H	2	1775	56.5	40.5	—	12.00
AC19B60B21S	TM8V100C20MP12C	24.5	XAFD60J	1	1075	46.5	29.6	16.00	23.05
AC19B60B21S	TM8V100C20MP12C	24.5	XAFD60J	2	1550	57.0	38.0	—	12.25
AC19B60B21S	TM8V100C20MP12C	21.0	XAHC60G	1	1075	46.0	29.4	15.75	23.05
AC19B60B21S	TM8V100C20MP12C	21.0	XAHC60G	2	1550	54.5	37.8	—	12.00
AC19B60B21S	TM8V100C20MP12C	21.0	XAHC60H	1	1075	46.5	29.8	16.00	23.20
AC19B60B21S	TM8V100C20MP12C	21.0	XAHC60H	2	1550	56.0	38.5	—	12.50
AC19B60B21S	TM8V100C20MP12C	24.5	XAHD60H	1	1225	47.5	31.6	15.75	22.90
AC19B60B21S	TM8V100C20MP12C	24.5	XAHD60H	2	1775	57.0	40.5	—	12.00
AC19B60B21S	TM8V120C20MP11C	21.0	CF/CM/CU60C	1	1075	45.5	31.6	16.00	22.60
AC19B60B21S	TM8V120C20MP11C	21.0	CF/CM/CU60C	2	1550	57.5	41.5	16.00	12.50
AC19B60B21S	TM8V120C20MP11C	21.0	CF/CM/CU60D	1	1100	46.0	31.8	16.25	22.85
AC19B60B21S	TM8V120C20MP11C	21.0	CF/CM/CU60D	2	1625	58.0	42.5	16.25	12.50
AC19B60B21S	TM8V120C20MP11C	21.0	CF/CM64D	1	1050	45.5	31.2	16.25	22.90
AC19B60B21S	TM8V120C20MP11C	21.0	CF/CM64D	2	1550	58.5	42.0	16.25	12.75
AC19B60B21S	TM8V120C20MP12C	21.0	CF/CM/CU60C	1	1075	45.5	31.6	16.00	22.60

SYSTEM CAPACITY - With High Efficiency Motor Furnaces¹ (Continued)

UNIT MODEL	FURNACE MODEL	WIDTH	COIL MODEL ²	STAGE	COOLING				
					RATED CFM	NET MBH		SEER	EER
						TOTAL	SENS.		
AC19B60B21S	TM8V120C20MP12C	21.0	CF/CM/CU60C	2	1550	57.5	41.5	16.00	12.50
AC19B60B21S	TM8V120C20MP12C	21.0	CF/CM/CU60D	1	1100	46.0	31.8	16.25	22.85
AC19B60B21S	TM8V120C20MP12C	21.0	CF/CM/CU60D	2	1625	58.0	42.5	16.25	12.50
AC19B60B21S	TM8V120C20MP12C	21.0	CF/CM64D	1	1050	45.5	31.2	16.25	22.90
AC19B60B21S	TM8V120C20MP12C	21.0	CF/CM64D	2	1550	58.5	42.0	16.25	12.75
AC19B60B21S	TM8V120C20MP12C	21.0	XAF/XAUC60G	1	1225	47.0	31.0	15.75	22.80
AC19B60B21S	TM8V120C20MP12C	21.0	XAF/XAUC60G	2	1775	55.5	40.5	—	11.75
AC19B60B21S	TM8V120C20MP12C	24.5	XAF/XAUD60G	1	1225	47.0	31.0	15.75	22.80
AC19B60B21S	TM8V120C20MP12C	24.5	XAF/XAUD60G	2	1775	56.0	40.0	—	11.75
AC19B60B21S	TM8V120C20MP12C	24.5	XAF/XAUD60H	1	1225	47.5	31.6	15.75	22.85
AC19B60B21S	TM8V120C20MP12C	24.5	XAF/XAUD60H	2	1775	57.0	40.5	—	12.00
AC19B60B21S	TM8V120C20MP12C	21.0	XAFC60H	1	1225	47.5	31.6	16.00	22.95
AC19B60B21S	TM8V120C20MP12C	21.0	XAFC60H	2	1775	56.5	40.5	—	12.00
AC19B60B21S	TM8V120C20MP12C	24.5	XAFD60J	1	1075	46.5	29.6	16.00	23.05
AC19B60B21S	TM8V120C20MP12C	24.5	XAFD60J	2	1550	57.0	38.0	—	12.25
AC19B60B21S	TM8V120C20MP12C	21.0	XAHC60G	1	1075	46.0	29.4	15.75	23.05
AC19B60B21S	TM8V120C20MP12C	21.0	XAHC60G	2	1550	54.5	37.8	—	12.00
AC19B60B21S	TM8V120C20MP12C	21.0	XAHC60H	1	1075	46.5	29.8	16.00	23.20
AC19B60B21S	TM8V120C20MP12C	21.0	XAHC60H	2	1550	56.0	38.5	—	12.50
AC19B60B21S	TM8V120C20MP12C	24.5	XAHD60H	1	1225	47.5	31.6	15.75	22.90
AC19B60B21S	TM8V120C20MP12C	24.5	XAHD60H	2	1775	57.0	40.5	—	12.00
AC19B60B21S	TM8X080C16MP11	21.0	CF/CM/CU60C	1	1025	44.0	30.2	15.50	21.85
AC19B60B21S	TM8X080C16MP11	21.0	CF/CM/CU60C	2	1525	56.0	40.0	15.50	12.00
AC19B60B21S	TM8X080C16MP11	21.0	CF/CM/CU60D	1	1025	44.0	30.4	15.50	21.95
AC19B60B21S	TM8X080C16MP11	21.0	CF/CM/CU60D	2	1550	56.5	40.5	15.50	12.00
AC19B60B21S	TM8X080C16MP11	21.0	CF/CM64D	1	1025	45.5	30.8	16.00	22.85
AC19B60B21S	TM8X080C16MP11	21.0	CF/CM64D	2	1525	58.0	41.5	16.00	12.25
AC19B60B21S	TM8X100C16MP11	21.0	CF/CM/CU60C	1	1025	44.0	30.2	15.50	21.85
AC19B60B21S	TM8X100C16MP11	21.0	CF/CM/CU60C	2	1525	56.0	40.0	15.50	12.00
AC19B60B21S	TM8X100C16MP11	21.0	CF/CM/CU60D	1	1025	44.0	30.4	15.50	21.95
AC19B60B21S	TM8X100C16MP11	21.0	CF/CM/CU60D	2	1550	56.5	40.5	15.50	12.00
AC19B60B21S	TM8X100C16MP11	21.0	CF/CM64D	1	1025	45.5	30.8	16.00	22.85
AC19B60B21S	TM8X100C16MP11	21.0	CF/CM64D	2	1525	58.0	41.5	16.00	12.25
AC19B60B21S	TM8X100C20MP11	21.0	CF/CM/CU60C	1	1050	44.5	30.4	15.75	22.05
AC19B60B21S	TM8X100C20MP11	21.0	CF/CM/CU60C	2	1550	56.5	40.5	15.75	12.50
AC19B60B21S	TM8X100C20MP11	21.0	CF/CM/CU60D	1	1075	44.5	30.8	15.75	22.30
AC19B60B21S	TM8X100C20MP11	21.0	CF/CM/CU60D	2	1600	57.0	41.5	15.75	12.50
AC19B60B21S	TM8X100C20MP11	21.0	CF/CM64D	1	1050	45.5	31.2	16.25	23.00
AC19B60B21S	TM8X100C20MP11	21.0	CF/CM64D	2	1550	58.5	42.0	16.25	13.00
AC19B60B21S	TM8X120C20MP11	21.0	CF/CM/CU60C	1	1050	44.5	30.4	15.75	22.05
AC19B60B21S	TM8X120C20MP11	21.0	CF/CM/CU60C	2	1550	56.5	40.5	15.75	12.50
AC19B60B21S	TM8X120C20MP11	21.0	CF/CM/CU60D	1	1075	44.5	30.8	15.75	22.30
AC19B60B21S	TM8X120C20MP11	21.0	CF/CM/CU60D	2	1600	57.0	41.5	15.75	12.50
AC19B60B21S	TM8X120C20MP11	21.0	CF/CM64D	1	1050	45.5	31.2	16.25	23.00
AC19B60B21S	TM8X120C20MP11	21.0	CF/CM64D	2	1550	58.5	42.0	16.25	13.00
AC19B60B21S	TM8Y080C16MP11	21.0	CF/CM/CU60C	1	1025	44.0	30.2	15.50	21.85
AC19B60B21S	TM8Y080C16MP11	21.0	CF/CM/CU60C	2	1525	56.0	40.0	15.50	12.00
AC19B60B21S	TM8Y080C16MP11	21.0	CF/CM/CU60D	1	1025	44.0	30.4	15.50	21.95
AC19B60B21S	TM8Y080C16MP11	21.0	CF/CM/CU60D	2	1550	56.5	40.5	15.50	12.00
AC19B60B21S	TM8Y080C16MP11	21.0	CF/CM64D	1	1025	45.5	30.8	16.00	22.85
AC19B60B21S	TM8Y080C16MP11	21.0	CF/CM64D	2	1525	58.0	41.5	16.00	12.25

SYSTEM CAPACITY - With High Efficiency Motor Furnaces¹ (Continued)

UNIT MODEL	FURNACE MODEL	WIDTH	COIL MODEL ²	STAGE	COOLING				
					RATED CFM	NET MBH		SEER	EER
						TOTAL	SENS.		
AC19B60B21S	TM8Y080C16MP11	21.0	XAF/XAUC60G	1	1050	46.0	29.2	15.75	22.85
AC19B60B21S	TM8Y080C16MP11	21.0	XAF/XAUC60G	2	1525	54.5	37.8	—	11.75
AC19B60B21S	TM8Y080C16MP11	24.5	XAF/XAUD60G	1	1025	45.5	28.8	15.50	22.70
AC19B60B21S	TM8Y080C16MP11	24.5	XAF/XAUD60G	2	1550	55.0	37.6	—	11.75
AC19B60B21S	TM8Y080C16MP11	24.5	XAF/XAUD60H	1	1025	46.0	29.2	15.75	22.75
AC19B60B21S	TM8Y080C16MP11	24.5	XAF/XAUD60H	2	1550	56.0	38.0	—	12.00
AC19B60B21S	TM8Y080C16MP11	21.0	XAFC60H	1	1050	46.0	29.4	15.75	22.90
AC19B60B21S	TM8Y080C16MP11	21.0	XAFC60H	2	1550	55.5	38.5	—	12.00
AC19B60B21S	TM8Y080C16MP11	24.5	XAFD60J	1	1050	46.0	29.0	15.75	23.00
AC19B60B21S	TM8Y080C16MP11	24.5	XAFD60J	2	1550	57.0	38.0	—	12.00
AC19B60B21S	TM8Y080C16MP11	21.0	XAHC60G	1	1075	46.0	29.4	15.75	23.00
AC19B60B21S	TM8Y080C16MP11	21.0	XAHC60G	2	1550	54.5	38.0	—	11.75
AC19B60B21S	TM8Y080C16MP11	21.0	XAHC60H	1	1075	46.5	29.8	16.00	23.15
AC19B60B21S	TM8Y080C16MP11	21.0	XAHC60H	2	1550	56.0	38.5	—	12.25
AC19B60B21S	TM8Y080C16MP11	21.0	XAHD60G	1	1025	45.5	28.8	15.50	22.65
AC19B60B21S	TM8Y080C16MP11	21.0	XAHD60G	2	1525	55.0	37.8	—	11.75
AC19B60B21S	TM8Y080C16MP11	24.5	XAHD60H	1	1025	46.0	29.2	15.75	22.75
AC19B60B21S	TM8Y080C16MP11	24.5	XAHD60H	2	1525	56.0	38.0	—	12.00
AC19B60B21S	TM8Y080C16MP11	24.5	XAHD60J	1	1050	46.0	29.0	15.75	22.95
AC19B60B21S	TM8Y080C16MP11	24.5	XAHD60J	2	1525	56.5	37.6	—	12.00
AC19B60B21S	TM8Y100C16MP11	21.0	CF/CM/CU60C	1	1025	44.0	30.2	15.50	21.85
AC19B60B21S	TM8Y100C16MP11	21.0	CF/CM/CU60C	2	1525	56.0	40.0	15.50	12.00
AC19B60B21S	TM8Y100C16MP11	21.0	CF/CM/CU60D	1	1025	44.0	30.4	15.50	21.95
AC19B60B21S	TM8Y100C16MP11	21.0	CF/CM/CU60D	2	1550	56.5	40.5	15.50	12.00
AC19B60B21S	TM8Y100C16MP11	21.0	CF/CM64D	1	1025	45.5	30.8	16.00	22.85
AC19B60B21S	TM8Y100C16MP11	21.0	CF/CM64D	2	1525	58.0	41.5	16.00	12.25
AC19B60B21S	TM8Y100C16MP11	21.0	XAF/XAUC60G	1	1050	46.0	29.2	15.75	22.85
AC19B60B21S	TM8Y100C16MP11	21.0	XAF/XAUC60G	2	1525	54.5	37.8	—	11.75
AC19B60B21S	TM8Y100C16MP11	24.5	XAF/XAUD60G	1	1025	45.5	28.8	15.50	22.70
AC19B60B21S	TM8Y100C16MP11	24.5	XAF/XAUD60G	2	1550	55.0	37.6	—	11.75
AC19B60B21S	TM8Y100C16MP11	24.5	XAF/XAUD60H	1	1025	46.0	29.2	15.75	22.75
AC19B60B21S	TM8Y100C16MP11	24.5	XAF/XAUD60H	2	1550	56.0	38.0	—	12.00
AC19B60B21S	TM8Y100C16MP11	21.0	XAFC60H	1	1050	46.0	29.4	15.75	22.90
AC19B60B21S	TM8Y100C16MP11	21.0	XAFC60H	2	1550	55.5	38.5	—	12.00
AC19B60B21S	TM8Y100C16MP11	24.5	XAFD60J	1	1050	46.0	29.0	15.75	23.00
AC19B60B21S	TM8Y100C16MP11	24.5	XAFD60J	2	1550	57.0	38.0	—	12.00
AC19B60B21S	TM8Y100C16MP11	21.0	XAHC60G	1	1075	46.0	29.4	15.75	23.00
AC19B60B21S	TM8Y100C16MP11	21.0	XAHC60G	2	1550	54.5	38.0	—	11.75
AC19B60B21S	TM8Y100C16MP11	21.0	XAHC60H	1	1075	46.5	29.8	16.00	23.15
AC19B60B21S	TM8Y100C16MP11	21.0	XAHC60H	2	1550	56.0	38.5	—	12.25
AC19B60B21S	TM8Y100C16MP11	21.0	XAHD60G	1	1025	45.5	28.8	15.50	22.65
AC19B60B21S	TM8Y100C16MP11	21.0	XAHD60G	2	1525	55.0	37.8	—	11.75
AC19B60B21S	TM8Y100C16MP11	24.5	XAHD60H	1	1025	46.0	29.2	15.75	22.75
AC19B60B21S	TM8Y100C16MP11	24.5	XAHD60H	2	1525	56.0	38.0	—	12.00
AC19B60B21S	TM8Y100C16MP11	24.5	XAHD60J	1	1050	46.0	29.0	15.75	22.95
AC19B60B21S	TM8Y100C16MP11	24.5	XAHD60J	2	1525	56.5	37.6	—	12.00
AC19B60B21S	TM8Y100C20MP11	21.0	CF/CM/CU60C	1	1050	44.5	30.4	15.75	22.05
AC19B60B21S	TM8Y100C20MP11	21.0	CF/CM/CU60C	2	1550	56.5	40.5	15.75	12.50
AC19B60B21S	TM8Y100C20MP11	21.0	CF/CM/CU60D	1	1075	44.5	30.8	15.75	22.30
AC19B60B21S	TM8Y100C20MP11	21.0	CF/CM/CU60D	2	1600	57.0	41.5	15.75	12.50
AC19B60B21S	TM8Y100C20MP11	21.0	CF/CM64D	1	1050	45.5	31.2	16.25	23.00

SYSTEM CAPACITY - With High Efficiency Motor Furnaces¹ (Continued)

UNIT MODEL	FURNACE MODEL	WIDTH	COIL MODEL ²	STAGE	COOLING				
					RATED CFM	NET MBH		SEER	EER
						TOTAL	SENS.		
AC19B60B21S	TM8Y100C20MP11	21.0	CF/CM64D	2	1550	58.5	42.0	16.25	13.00
AC19B60B21S	TM8Y100C20MP11	21.0	XAF/XAUC60G	1	1050	46.0	29.2	15.75	22.85
AC19B60B21S	TM8Y100C20MP11	21.0	XAF/XAUC60G	2	1550	55.0	38.0	—	12.00
AC19B60B21S	TM8Y100C20MP11	24.5	XAF/XAUD60G	1	1050	46.0	29.2	15.75	22.85
AC19B60B21S	TM8Y100C20MP11	24.5	XAF/XAUD60G	2	1550	55.5	37.8	—	12.00
AC19B60B21S	TM8Y100C20MP11	24.5	XAF/XAUD60H	1	1050	46.0	29.4	16.00	22.90
AC19B60B21S	TM8Y100C20MP11	24.5	XAF/XAUD60H	2	1550	56.5	38.5	—	12.25
AC19B60B21S	TM8Y100C20MP11	21.0	XAFC60H	1	1075	46.5	29.8	16.00	23.10
AC19B60B21S	TM8Y100C20MP11	21.0	XAFC60H	2	1550	56.0	38.5	—	12.25
AC19B60B21S	TM8Y100C20MP11	24.5	XAFD60J	1	1075	46.5	29.6	16.00	23.15
AC19B60B21S	TM8Y100C20MP11	24.5	XAFD60J	2	1550	57.0	38.0	—	12.25
AC19B60B21S	TM8Y100C20MP11	21.0	XAHC60G	1	1075	46.0	29.4	15.75	23.05
AC19B60B21S	TM8Y100C20MP11	21.0	XAHC60G	2	1550	55.0	38.0	—	12.00
AC19B60B21S	TM8Y100C20MP11	21.0	XAHC60H	1	1100	46.5	30.0	16.00	23.30
AC19B60B21S	TM8Y100C20MP11	21.0	XAHC60H	2	1550	56.0	38.5	—	12.50
AC19B60B21S	TM8Y100C20MP11	21.0	XAHD60G	1	1025	45.5	28.8	15.75	22.70
AC19B60B21S	TM8Y100C20MP11	21.0	XAHD60G	2	1525	55.0	37.8	—	12.00
AC19B60B21S	TM8Y100C20MP11	24.5	XAHD60H	1	1050	46.0	29.4	16.00	22.95
AC19B60B21S	TM8Y100C20MP11	24.5	XAHD60H	2	1550	56.5	38.5	—	12.25
AC19B60B21S	TM8Y100C20MP11	24.5	XAHD60J	1	1050	46.0	29.0	16.00	23.00
AC19B60B21S	TM8Y100C20MP11	24.5	XAHD60J	2	1525	57.0	37.8	—	12.25
AC19B60B21S	TM8Y120C20MP11	21.0	CF/CM/CU60C	1	1050	44.5	30.4	15.75	22.05
AC19B60B21S	TM8Y120C20MP11	21.0	CF/CM/CU60C	2	1550	56.5	40.5	15.75	12.50
AC19B60B21S	TM8Y120C20MP11	21.0	CF/CM/CU60D	1	1075	44.5	30.8	15.75	22.30
AC19B60B21S	TM8Y120C20MP11	21.0	CF/CM/CU60D	2	1600	57.0	41.5	15.75	12.50
AC19B60B21S	TM8Y120C20MP11	21.0	CF/CM64D	1	1050	45.5	31.2	16.25	23.00
AC19B60B21S	TM8Y120C20MP11	21.0	CF/CM64D	2	1550	58.5	42.0	16.25	13.00
AC19B60B21S	TM8Y120C20MP11	21.0	XAF/XAUC60G	1	1050	46.0	29.2	15.75	22.85
AC19B60B21S	TM8Y120C20MP11	21.0	XAF/XAUC60G	2	1550	55.0	38.0	—	12.00
AC19B60B21S	TM8Y120C20MP11	24.5	XAF/XAUD60G	1	1050	46.0	29.2	15.75	22.85
AC19B60B21S	TM8Y120C20MP11	24.5	XAF/XAUD60G	2	1550	55.5	37.8	—	12.00
AC19B60B21S	TM8Y120C20MP11	24.5	XAF/XAUD60H	1	1050	46.0	29.4	16.00	22.90
AC19B60B21S	TM8Y120C20MP11	24.5	XAF/XAUD60H	2	1550	56.5	38.5	—	12.25
AC19B60B21S	TM8Y120C20MP11	21.0	XAFC60H	1	1075	46.5	29.8	16.00	23.10
AC19B60B21S	TM8Y120C20MP11	21.0	XAFC60H	2	1550	56.0	38.5	—	12.25
AC19B60B21S	TM8Y120C20MP11	24.5	XAFD60J	1	1075	46.5	29.6	16.00	23.15
AC19B60B21S	TM8Y120C20MP11	24.5	XAFD60J	2	1550	57.0	38.0	—	12.25
AC19B60B21S	TM8Y120C20MP11	21.0	XAHC60G	1	1075	46.0	29.4	15.75	23.05
AC19B60B21S	TM8Y120C20MP11	21.0	XAHC60G	2	1550	55.0	38.0	—	12.00
AC19B60B21S	TM8Y120C20MP11	21.0	XAHC60H	1	1100	46.5	30.0	16.00	23.30
AC19B60B21S	TM8Y120C20MP11	21.0	XAHC60H	2	1550	56.0	38.5	—	12.50
AC19B60B21S	TM8Y120C20MP11	21.0	XAHD60G	1	1025	45.5	28.8	15.75	22.70
AC19B60B21S	TM8Y120C20MP11	21.0	XAHD60G	2	1525	55.0	37.8	—	12.00
AC19B60B21S	TM8Y120C20MP11	24.5	XAHD60H	1	1050	46.0	29.4	16.00	22.95
AC19B60B21S	TM8Y120C20MP11	24.5	XAHD60H	2	1550	56.5	38.5	—	12.25
AC19B60B21S	TM8Y120C20MP11	24.5	XAHD60J	1	1050	46.0	29.0	16.00	23.00
AC19B60B21S	TM8Y120C20MP11	24.5	XAHD60J	2	1525	57.0	37.8	—	12.25
AC19B60B21S	TM9E080C20MP12	21.0	CF/CM/CU60C	1	1275	46.0	33.2	15.50	22.05
AC19B60B21S	TM9E080C20MP12	21.0	CF/CM/CU60C	2	1725	57.5	42.5	15.50	12.00
AC19B60B21S	TM9E080C20MP12	21.0	CF/CM/CU60D	1	1275	46.0	33.0	15.75	22.10
AC19B60B21S	TM9E080C20MP12	21.0	CF/CM/CU60D	2	1525	56.5	40.5	15.75	12.50

SYSTEM CAPACITY - With High Efficiency Motor Furnaces¹ (Continued)

UNIT MODEL	FURNACE MODEL	WIDTH	COIL MODEL ²	STAGE	COOLING				
					RATED CFM	NET MBH		SEER	EER
						TOTAL	SENS.		
AC19B60B21S	TM9E080C20MP12	21.0	CF/CM64D	1	1275	47.5	34.4	16.25	22.85
AC19B60B21S	TM9E080C20MP12	21.0	CF/CM64D	2	1500	58.0	41.0	16.25	13.00
AC19B60B21S	TM9E080C20MP12	21.0	XAF/XAUC60G	1	1275	47.5	31.6	15.50	22.70
AC19B60B21S	TM9E080C20MP12	21.0	XAF/XAUC60G	2	1725	55.5	40.0	—	11.75
AC19B60B21S	TM9E080C20MP12	24.5	XAF/XAUD60G	1	1250	47.0	31.2	15.75	22.55
AC19B60B21S	TM9E080C20MP12	24.5	XAF/XAUD60G	2	1500	55.0	37.2	—	12.00
AC19B60B21S	TM9E080C20MP12	24.5	XAF/XAUD60H	1	1250	47.5	31.8	15.75	22.65
AC19B60B21S	TM9E080C20MP12	24.5	XAF/XAUD60H	2	1500	56.0	37.6	—	12.25
AC19B60B21S	TM9E080C20MP12	21.0	XAFC60H	1	1275	47.5	32.0	15.75	22.85
AC19B60B21S	TM9E080C20MP12	21.0	XAFC60H	2	1750	56.5	40.5	—	12.00
AC19B60B21S	TM9E080C20MP12	24.5	XAFD60J	1	1275	47.5	31.6	15.75	22.90
AC19B60B21S	TM9E080C20MP12	24.5	XAFD60J	2	1750	58.0	40.5	—	12.00
AC19B60B21S	TM9E080C20MP12	21.0	XAHC60G	1	1275	47.5	31.6	15.50	22.70
AC19B60B21S	TM9E080C20MP12	21.0	XAHC60G	2	1500	54.5	37.6	—	12.00
AC19B60B21S	TM9E080C20MP12	21.0	XAHC60H	1	1300	48.0	32.4	16.00	23.00
AC19B60B21S	TM9E080C20MP12	21.0	XAHC60H	2	1750	56.5	40.5	—	12.00
AC19B60B21S	TM9E080C20MP12	21.0	XAHD60G	1	1250	47.0	31.2	15.50	22.55
AC19B60B21S	TM9E080C20MP12	21.0	XAHD60G	2	1725	56.0	40.0	—	11.75
AC19B60B21S	TM9E080C20MP12	24.5	XAHD60H	1	1250	47.5	31.8	15.75	22.70
AC19B60B21S	TM9E080C20MP12	24.5	XAHD60H	2	1500	56.0	37.6	—	12.25
AC19B60B21S	TM9E080C20MP12	24.5	XAHD60J	1	1275	47.5	31.6	15.75	22.85
AC19B60B21S	TM9E080C20MP12	24.5	XAHD60J	2	1725	57.5	40.0	—	12.00
AC19B60B21S	TM9E100C16MP12	21.0	CF/CM/CU60D	1	1125	45.0	31.6	15.50	21.80
AC19B60B21S	TM9E100C16MP12	21.0	CF/CM/CU60D	2	1600	56.5	41.0	15.50	12.00
AC19B60B21S	TM9E100C20MP11	21.0	CF/CM/CU60C	1	1225	45.5	33.0	15.50	21.60
AC19B60B21S	TM9E100C20MP11	21.0	CF/CM/CU60C	2	1525	56.0	40.0	15.50	12.00
AC19B60B21S	TM9E100C20MP11	21.0	CF/CM/CU60D	1	1225	45.5	32.8	15.50	21.65
AC19B60B21S	TM9E100C20MP11	21.0	CF/CM/CU60D	2	1550	56.5	40.5	15.50	12.25
AC19B60B21S	TM9E100C20MP11	21.0	CF/CM64D	1	1225	47.0	33.8	16.00	22.55
AC19B60B21S	TM9E100C20MP11	21.0	CF/CM64D	2	1550	58.0	41.5	16.00	12.50
AC19B60B21S	TM9E100C20MP12	21.0	CF/CM/CU60C	1	1250	46.0	33.4	15.50	21.90
AC19B60B21S	TM9E100C20MP12	21.0	CF/CM/CU60C	2	1700	57.5	42.5	15.50	12.25
AC19B60B21S	TM9E100C20MP12	21.0	CF/CM/CU60D	1	1275	46.0	33.8	15.75	22.10
AC19B60B21S	TM9E100C20MP12	21.0	CF/CM/CU60D	2	1550	57.0	40.5	15.75	12.50
AC19B60B21S	TM9E100C20MP12	21.0	CF/CM64D	1	1250	47.0	34.0	16.25	22.80
AC19B60B21S	TM9E100C20MP12	21.0	CF/CM64D	2	1525	58.0	41.5	16.25	13.00
AC19B60B21S	TM9E100C20MP12	21.0	XAF/XAUC60G	1	1250	47.5	31.6	15.50	22.65
AC19B60B21S	TM9E100C20MP12	21.0	XAF/XAUC60G	2	1700	55.0	39.5	—	11.75
AC19B60B21S	TM9E100C20MP12	24.5	XAF/XAUD60G	1	1250	47.5	31.6	15.75	22.65
AC19B60B21S	TM9E100C20MP12	24.5	XAF/XAUD60G	2	1725	56.0	39.5	—	11.75
AC19B60B21S	TM9E100C20MP12	24.5	XAF/XAUD60H	1	1250	47.5	31.8	15.75	22.75
AC19B60B21S	TM9E100C20MP12	24.5	XAF/XAUD60H	2	1700	57.0	40.0	—	12.00
AC19B60B21S	TM9E100C20MP12	21.0	XAFC60H	1	1250	47.5	31.8	15.75	22.80
AC19B60B21S	TM9E100C20MP12	21.0	XAFC60H	2	1500	56.0	38.0	—	12.50
AC19B60B21S	TM9E100C20MP12	24.5	XAFD60J	1	1250	47.5	31.6	15.75	22.85
AC19B60B21S	TM9E100C20MP12	24.5	XAFD60J	2	1500	57.0	37.6	—	12.25
AC19B60B21S	TM9E100C20MP12	21.0	XAHC60G	1	1250	47.5	31.4	15.50	22.65
AC19B60B21S	TM9E100C20MP12	21.0	XAHC60G	2	1500	54.5	37.4	—	12.25
AC19B60B21S	TM9E100C20MP12	21.0	XAHC60H	1	1275	47.5	32.0	16.00	22.90
AC19B60B21S	TM9E100C20MP12	21.0	XAHC60H	2	1525	56.0	38.5	—	12.50
AC19B60B21S	TM9E100C20MP12	21.0	XAHD60G	1	1225	47.0	31.0	15.50	22.45

SYSTEM CAPACITY - With High Efficiency Motor Furnaces¹ (Continued)

UNIT MODEL	FURNACE MODEL	WIDTH	COIL MODEL ²	STAGE	COOLING				
					RATED CFM	NET MBH		SEER	EER
						TOTAL	SENS.		
AC19B60B21S	TM9E100C20MP12	21.0	XAHD60G	2	1500	55.0	37.6	—	12.00
AC19B60B21S	TM9E100C20MP12	24.5	XAHD60H	1	1225	47.5	31.6	15.75	22.65
AC19B60B21S	TM9E100C20MP12	24.5	XAHD60H	2	1500	56.0	37.8	—	12.25
AC19B60B21S	TM9E100C20MP12	24.5	XAHD60J	1	1225	47.5	31.4	15.75	22.65
AC19B60B21S	TM9E100C20MP12	24.5	XAHD60J	2	1500	57.0	37.6	—	12.25
AC19B60B21S	TM9E120D20MP11	24.5	CF/CM/CU60D	1	1025	44.0	30.0	15.75	22.15
AC19B60B21S	TM9E120D20MP11	24.5	CF/CM/CU60D	2	1600	57.0	41.0	15.75	12.25
AC19B60B21S	TM9E120D20MP11	24.5	CF/CM64D	1	1025	45.5	31.0	16.25	23.10
AC19B60B21S	TM9E120D20MP11	24.5	CF/CM64D	2	1575	58.0	42.0	16.25	12.75
AC19B60B21S	TM9E120D20MP12	24.5	CF/CM/CU60D	1	1300	46.0	33.6	15.75	22.00
AC19B60B21S	TM9E120D20MP12	24.5	CF/CM/CU60D	2	1625	57.0	41.5	15.75	12.25
AC19B60B21S	TM9E120D20MP12	24.5	CF/CM64D	1	1250	47.0	34.0	16.00	22.55
AC19B60B21S	TM9E120D20MP12	24.5	CF/CM64D	2	1450	58.0	40.5	16.00	13.00
AC19B60B21S	TM9E120D20MP12	24.5	XAF/XAUD60G	1	1275	47.5	31.6	15.50	22.50
AC19B60B21S	TM9E120D20MP12	24.5	XAF/XAUD60G	2	1600	55.0	38.5	—	12.00
AC19B60B21S	TM9E120D20MP12	24.5	XAF/XAUD60H	1	1250	47.5	31.8	15.75	22.55
AC19B60B21S	TM9E120D20MP12	24.5	XAF/XAUD60H	2	1600	56.0	39.0	—	12.00
AC19B60B21S	TM9E120D20MP12	24.5	XAFD60J	1	1275	47.5	31.8	15.75	22.70
AC19B60B21S	TM9E120D20MP12	24.5	XAFD60J	2	1600	56.5	39.0	—	12.00
AC19B60B21S	TM9E120D20MP12	21.0	XAHD60G	1	1250	47.0	31.2	15.50	22.35
AC19B60B21S	TM9E120D20MP12	21.0	XAHD60G	2	1575	54.5	38.0	—	11.75
AC19B60B21S	TM9E120D20MP12	24.5	XAHD60H	1	1275	47.5	32.0	15.75	22.65
AC19B60B21S	TM9E120D20MP12	24.5	XAHD60H	2	1725	56.5	40.5	—	12.00
AC19B60B21S	TM9E120D20MP12	24.5	XAHD60J	1	1250	47.5	31.6	15.75	22.55
AC19B60B21S	TM9E120D20MP12	24.5	XAHD60J	2	1575	57.0	38.5	—	12.00
AC19B60B21S	TM9V080C16MP11C	21.0	CF/CM/CU60C	1	975	44.5	30.0	15.75	22.15
AC19B60B21S	TM9V080C16MP11C	21.0	CF/CM/CU60C	2	1525	57.0	40.5	15.75	12.00
AC19B60B21S	TM9V080C16MP11C	21.0	CF/CM/CU60D	1	975	44.5	30.0	15.75	22.25
AC19B60B21S	TM9V080C16MP11C	21.0	CF/CM/CU60D	2	1525	57.0	40.5	15.75	12.25
AC19B60B21S	TM9V080C16MP11C	21.0	CF/CM64D	1	975	45.0	30.2	15.75	22.40
AC19B60B21S	TM9V080C16MP11C	21.0	CF/CM64D	2	1525	57.5	41.0	15.75	12.25
AC19B60B21S	TM9V080C16MP12C	21.0	CF/CM/CU60C	1	975	44.5	30.0	15.75	22.15
AC19B60B21S	TM9V080C16MP12C	21.0	CF/CM/CU60C	2	1525	57.0	40.5	15.75	12.00
AC19B60B21S	TM9V080C16MP12C	21.0	CF/CM/CU60D	1	975	44.5	30.0	15.75	22.25
AC19B60B21S	TM9V080C16MP12C	21.0	CF/CM/CU60D	2	1525	57.0	40.5	15.75	12.25
AC19B60B21S	TM9V080C16MP12C	21.0	CF/CM64D	1	975	45.0	30.2	15.75	22.40
AC19B60B21S	TM9V080C16MP12C	21.0	CF/CM64D	2	1525	57.5	41.0	15.75	12.25
AC19B60B21S	TM9V100C16MP11C	21.0	CF/CM/CU60C	1	1100	45.5	31.6	15.75	22.40
AC19B60B21S	TM9V100C16MP11C	21.0	CF/CM/CU60C	2	1600	57.5	42.0	15.75	12.25
AC19B60B21S	TM9V100C16MP11C	21.0	CF/CM/CU60D	1	1100	45.5	31.6	16.00	22.55
AC19B60B21S	TM9V100C16MP11C	21.0	CF/CM/CU60D	2	1600	57.5	42.0	16.00	12.25
AC19B60B21S	TM9V100C16MP11C	21.0	CF/CM64D	1	1025	45.5	30.8	16.00	22.65
AC19B60B21S	TM9V100C16MP11C	21.0	CF/CM64D	2	1475	58.0	40.5	16.00	12.50
AC19B60B21S	TM9V100C16MP12C	21.0	CF/CM/CU60C	1	1100	45.5	31.6	15.75	22.40
AC19B60B21S	TM9V100C16MP12C	21.0	CF/CM/CU60C	2	1600	57.5	42.0	15.75	12.25
AC19B60B21S	TM9V100C16MP12C	21.0	CF/CM/CU60D	1	1100	45.5	31.6	16.00	22.55
AC19B60B21S	TM9V100C16MP12C	21.0	CF/CM/CU60D	2	1600	57.5	42.0	16.00	12.25
AC19B60B21S	TM9V100C16MP12C	21.0	CF/CM64D	1	1025	45.5	30.8	16.00	22.65
AC19B60B21S	TM9V100C16MP12C	21.0	CF/CM64D	2	1475	58.0	40.5	16.00	12.50
AC19B60B21S	TM9V100C16MP12C	21.0	XAF/XAUC60G	1	1100	46.0	29.6	15.50	22.55
AC19B60B21S	TM9V100C16MP12C	21.0	XAF/XAUC60G	2	1600	54.5	38.5	—	11.75

SYSTEM CAPACITY - With High Efficiency Motor Furnaces¹ (Continued)

UNIT MODEL	FURNACE MODEL	WIDTH	COIL MODEL ²	STAGE	COOLING				
					RATED CFM	NET MBH		SEER	EER
						TOTAL	SENS.		
AC19B60B21S	TM9V100C16MP12C	24.5	XAF/XAUD60G	1	1100	46.0	29.6	15.50	22.50
AC19B60B21S	TM9V100C16MP12C	24.5	XAF/XAUD60G	2	1600	55.0	38.0	—	11.75
AC19B60B21S	TM9V100C16MP12C	24.5	XAF/XAUD60H	1	1125	46.5	30.4	15.75	22.60
AC19B60B21S	TM9V100C16MP12C	24.5	XAF/XAUD60H	2	1600	56.5	39.0	—	12.00
AC19B60B21S	TM9V100C16MP12C	21.0	XAFC60H	1	1100	46.5	30.2	15.75	22.70
AC19B60B21S	TM9V100C16MP12C	21.0	XAFC60H	2	1600	56.0	39.0	—	12.00
AC19B60B21S	TM9V100C16MP12C	24.5	XAFD60J	1	1100	46.5	29.8	15.75	22.75
AC19B60B21S	TM9V100C16MP12C	24.5	XAFD60J	2	1600	57.0	38.5	—	12.00
AC19B60B21S	TM9V100C16MP12C	21.0	XAHC60G	1	1100	46.5	29.8	15.75	22.75
AC19B60B21S	TM9V100C16MP12C	21.0	XAHC60G	2	1600	54.5	38.5	—	11.75
AC19B60B21S	TM9V100C16MP12C	21.0	XAHC60H	1	1100	46.5	30.0	16.00	22.95
AC19B60B21S	TM9V100C16MP12C	21.0	XAHC60H	2	1600	56.0	39.0	—	12.00
AC19B60B21S	TM9V100C16MP12C	21.0	XAHD60G	1	1125	46.5	30.0	15.50	22.45
AC19B60B21S	TM9V100C16MP12C	21.0	XAHD60G	2	1625	55.0	38.5	—	11.75
AC19B60B21S	TM9V100C16MP12C	24.5	XAHD60H	1	1125	46.5	30.4	15.75	22.65
AC19B60B21S	TM9V100C16MP12C	24.5	XAHD60H	2	1600	56.5	39.0	—	12.00
AC19B60B21S	TM9V100C20MP11C	21.0	CF/CM/CU60C	1	1050	45.0	31.0	15.75	22.30
AC19B60B21S	TM9V100C20MP11C	21.0	CF/CM/CU60C	2	1625	57.5	42.0	15.75	12.25
AC19B60B21S	TM9V100C20MP11C	21.0	CF/CM64D	1	975	45.0	30.2	16.00	22.70
AC19B60B21S	TM9V100C20MP11C	21.0	CF/CM64D	2	1600	58.0	42.0	16.00	12.25
AC19B60B21S	TM9V100C20MP12C	21.0	CF/CM/CU60C	1	1050	45.0	31.0	15.75	22.30
AC19B60B21S	TM9V100C20MP12C	21.0	CF/CM/CU60C	2	1625	57.5	42.0	15.75	12.25
AC19B60B21S	TM9V100C20MP12C	21.0	CF/CM64D	1	975	45.0	30.2	16.00	22.70
AC19B60B21S	TM9V100C20MP12C	21.0	CF/CM64D	2	1600	58.0	42.0	16.00	12.25
AC19B60B21S	TM9V100C20MP12C	21.0	XAF/XAUC60G	1	975	45.0	28.2	15.50	22.45
AC19B60B21S	TM9V100C20MP12C	21.0	XAF/XAUC60G	2	1600	54.5	38.5	—	11.75
AC19B60B21S	TM9V100C20MP12C	24.5	XAF/XAUD60G	1	1050	46.0	29.2	15.50	22.50
AC19B60B21S	TM9V100C20MP12C	24.5	XAF/XAUD60G	2	1625	55.5	38.5	—	11.75
AC19B60B21S	TM9V100C20MP12C	24.5	XAF/XAUD60H	1	1050	46.0	29.6	15.50	22.45
AC19B60B21S	TM9V100C20MP12C	24.5	XAF/XAUD60H	2	1625	56.5	39.0	—	12.00
AC19B60B21S	TM9V100C20MP12C	21.0	XAFC60H	1	1050	46.0	29.4	15.75	22.65
AC19B60B21S	TM9V100C20MP12C	21.0	XAFC60H	2	1625	56.0	39.5	—	12.00
AC19B60B21S	TM9V100C20MP12C	24.5	XAFD60J	1	1050	46.0	29.0	15.75	22.70
AC19B60B21S	TM9V100C20MP12C	24.5	XAFD60J	2	1625	57.0	39.0	—	12.00
AC19B60B21S	TM9V100C20MP12C	21.0	XAHC60G	1	975	45.5	28.4	15.50	22.70
AC19B60B21S	TM9V100C20MP12C	21.0	XAHC60G	2	1600	54.5	38.5	—	11.75
AC19B60B21S	TM9V100C20MP12C	21.0	XAHC60H	1	975	45.5	28.6	15.75	22.85
AC19B60B21S	TM9V100C20MP12C	21.0	XAHC60H	2	1600	56.0	39.0	—	12.00
AC19B60B21S	TM9V100C20MP12C	21.0	XAHD60G	1	975	45.0	28.2	15.50	22.30
AC19B60B21S	TM9V100C20MP12C	21.0	XAHD60G	2	1600	55.0	38.5	—	11.75
AC19B60B21S	TM9V100C20MP12C	24.5	XAHD60H	1	1050	46.0	29.6	15.75	22.55
AC19B60B21S	TM9V100C20MP12C	24.5	XAHD60H	2	1625	56.5	39.0	—	12.00
AC19B60B21S	TM9V100C20MP12C	24.5	XAHD60J	1	975	45.5	28.2	15.75	22.65
AC19B60B21S	TM9V100C20MP12C	24.5	XAHD60J	2	1600	57.0	38.5	—	12.00
AC19B60B21S	TM9V120D20MP11C	24.5	CF/CM/CU60D	1	1125	46.0	32.2	16.00	22.90
AC19B60B21S	TM9V120D20MP11C	24.5	CF/CM/CU60D	2	1800	56.5	41.0	16.00	12.00
AC19B60B21S	TM9V120D20MP11C	24.5	CF/CM64D	1	1125	46.5	32.4	16.25	23.00
AC19B60B21S	TM9V120D20MP11C	24.5	CF/CM64D	2	1800	59.5	45.0	16.25	12.25
AC19B60B21S	TM9V120D20MP12C	24.5	CF/CM/CU60D	1	1125	46.0	32.2	16.00	22.90
AC19B60B21S	TM9V120D20MP12C	24.5	CF/CM/CU60D	2	1800	56.5	41.0	16.00	12.00
AC19B60B21S	TM9V120D20MP12C	24.5	CF/CM64D	1	1125	46.5	32.4	16.25	23.00

SYSTEM CAPACITY - With High Efficiency Motor Furnaces¹ (Continued)

UNIT MODEL	FURNACE MODEL	WIDTH	COIL MODEL ²	STAGE	COOLING				
					RATED CFM	NET MBH		SEER	EER
						TOTAL	SENS.		
AC19B60B21S	TM9V120D20MP12C	24.5	CF/CM64D	2	1800	59.5	45.0	16.25	12.25
AC19B60B21S	TM9V120D20MP12C	24.5	XAF/XAUD60G	1	1125	46.5	30.0	15.75	22.90
AC19B60B21S	TM9V120D20MP12C	24.5	XAF/XAUD60G	2	1800	55.5	40.5	—	11.75
AC19B60B21S	TM9V120D20MP12C	24.5	XAF/XAUD60H	1	1125	46.5	30.2	15.75	22.90
AC19B60B21S	TM9V120D20MP12C	24.5	XAF/XAUD60H	2	1800	57.0	41.0	—	12.00
AC19B60B21S	TM9V120D20MP12C	24.5	XAFD60J	1	1125	47.0	30.2	16.00	23.20
AC19B60B21S	TM9V120D20MP12C	24.5	XAFD60J	2	1800	57.5	41.0	—	12.00
AC19B60B21S	TM9V120D20MP12C	21.0	XAHD60G	1	1000	45.5	28.6	15.50	22.65
AC19B60B21S	TM9V120D20MP12C	21.0	XAHD60G	2	1575	55.0	38.5	—	12.00
AC19B60B21S	TM9V120D20MP12C	24.5	XAHD60H	1	1000	45.5	28.8	15.75	22.85
AC19B60B21S	TM9V120D20MP12C	24.5	XAHD60H	2	1575	56.0	39.0	—	12.25
AC19B60B21S	TM9V120D20MP12C	24.5	XAHD60J	1	1000	46.0	28.6	15.75	22.95
AC19B60B21S	TM9V120D20MP12C	24.5	XAHD60J	2	1575	56.5	38.5	—	12.25
AC19B60B21S	TM9Y100C20MP11	21.0	XAF/XAUC60G	1	1200	47.0	31.0	15.50	22.20
AC19B60B21S	TM9Y100C20MP11	21.0	XAF/XAUC60G	2	1525	54.5	37.8	—	11.75
AC19B60B21S	TM9Y100C20MP11	24.5	XAF/XAUD60G	1	1200	47.0	31.0	15.50	22.20
AC19B60B21S	TM9Y100C20MP11	24.5	XAF/XAUD60G	2	1550	55.0	37.6	—	11.75
AC19B60B21S	TM9Y100C20MP11	24.5	XAF/XAUD60H	1	1200	47.0	31.2	15.50	22.30
AC19B60B21S	TM9Y100C20MP11	24.5	XAF/XAUD60H	2	1525	56.0	37.8	—	12.00
AC19B60B21S	TM9Y100C20MP11	21.0	XAFC60H	1	1200	47.0	31.2	15.50	22.35
AC19B60B21S	TM9Y100C20MP11	21.0	XAFC60H	2	1550	56.0	38.5	—	12.25
AC19B60B21S	TM9Y100C20MP11	24.5	XAFD60J	1	1200	47.0	31.0	15.50	22.40
AC19B60B21S	TM9Y100C20MP11	24.5	XAFD60J	2	1550	56.5	38.0	—	12.00
AC19B60B21S	TM9Y100C20MP11	21.0	XAHC60G	1	1225	47.0	31.0	15.50	22.35
AC19B60B21S	TM9Y100C20MP11	21.0	XAHC60G	2	1550	54.5	38.0	—	11.75
AC19B60B21S	TM9Y100C20MP11	21.0	XAHC60H	1	1225	47.5	31.6	15.75	22.55
AC19B60B21S	TM9Y100C20MP11	21.0	XAHC60H	2	1550	56.0	38.5	—	12.25
AC19B60B21S	TM9Y100C20MP11	21.0	XAHD60G	1	1175	46.5	30.4	15.25	22.10
AC19B60B21S	TM9Y100C20MP11	21.0	XAHD60G	2	1525	55.0	37.8	—	11.75
AC19B60B21S	TM9Y100C20MP11	24.5	XAHD60H	1	1200	47.0	31.2	15.50	22.30
AC19B60B21S	TM9Y100C20MP11	24.5	XAHD60H	2	1525	56.0	37.8	—	12.00
AC19B60B21S	TM9Y100C20MP11	24.5	XAHD60J	1	1200	47.0	31.0	15.50	22.40
AC19B60B21S	TM9Y100C20MP11	24.5	XAHD60J	2	1525	56.5	37.6	—	12.00
AC19B60B21S	TM9Y120D20MP11	24.5	XAF/XAUD60G	1	1025	46.0	29.0	15.75	22.85
AC19B60B21S	TM9Y120D20MP11	24.5	XAF/XAUD60G	2	1575	55.0	38.5	—	12.00
AC19B60B21S	TM9Y120D20MP11	24.5	XAF/XAUD60H	1	1000	45.5	28.8	15.75	22.85
AC19B60B21S	TM9Y120D20MP11	24.5	XAF/XAUD60H	2	1575	56.0	39.0	—	12.00
AC19B60B21S	TM9Y120D20MP11	24.5	XAFD60J	1	1025	46.0	28.8	16.00	23.00
AC19B60B21S	TM9Y120D20MP11	24.5	XAFD60J	2	1575	56.5	38.5	—	12.25
AC19B60B21S	TM9Y120D20MP11	21.0	XAHD60G	1	1000	45.5	28.6	15.75	22.70
AC19B60B21S	TM9Y120D20MP11	21.0	XAHD60G	2	1550	54.5	38.0	—	12.00
AC19B60B21S	TM9Y120D20MP11	24.5	XAHD60H	1	1025	46.0	29.2	16.00	23.00
AC19B60B21S	TM9Y120D20MP11	24.5	XAHD60H	2	1575	56.0	39.0	—	12.00
AC19B60B21S	TM9Y120D20MP11	24.5	XAHD60J	1	1025	46.0	28.8	16.00	23.05
AC19B60B21S	TM9Y120D20MP11	24.5	XAHD60J	2	1550	56.5	38.5	—	12.00
AC19B60B21S	TMLE080C16MP11	21.0	XAF/XAUC60G	1	1025	45.5	28.8	15.75	22.70
AC19B60B21S	TMLE080C16MP11	21.0	XAF/XAUC60G	2	1575	54.5	38.0	—	11.75
AC19B60B21S	TMLE080C16MP11	24.5	XAF/XAUD60G	1	1150	46.5	30.2	15.50	22.70
AC19B60B21S	TMLE080C16MP11	24.5	XAF/XAUD60G	2	1575	55.0	37.8	—	11.75
AC19B60B21S	TMLE080C16MP11	24.5	XAF/XAUD60H	1	1125	46.5	30.4	15.75	22.60
AC19B60B21S	TMLE080C16MP11	24.5	XAF/XAUD60H	2	1575	56.5	38.5	—	12.00

SYSTEM CAPACITY - With High Efficiency Motor Furnaces¹ (Continued)

UNIT MODEL	FURNACE MODEL	WIDTH	COIL MODEL ²	STAGE	COOLING				
					RATED CFM	NET MBH		SEER	EER
						TOTAL	SENS.		
AC19B60B21S	TMLE080C16MP11	21.0	XAFC60H	1	1025	46.0	29.2	15.75	22.85
AC19B60B21S	TMLE080C16MP11	21.0	XAFC60H	2	1575	56.0	39.0	—	12.00
AC19B60B21S	TMLE080C16MP11	24.5	XAFD60J	1	1025	46.0	29.0	15.75	22.85
AC19B60B21S	TMLE080C16MP11	24.5	XAFD60J	2	1575	57.0	38.5	—	12.00
AC19B60B21S	TMLE080C16MP11	21.0	XAHC60G	1	1050	46.0	29.2	15.75	22.95
AC19B60B21S	TMLE080C16MP11	21.0	XAHC60G	2	1575	54.5	38.0	—	11.75
AC19B60B21S	TMLE080C16MP11	21.0	XAHC60H	1	1050	46.0	29.4	16.00	23.05
AC19B60B21S	TMLE080C16MP11	21.0	XAHC60H	2	1575	56.0	39.0	—	12.00
AC19B60B21S	TMLE080C16MP11	21.0	XAHD60G	1	1000	45.5	28.6	15.50	22.55
AC19B60B21S	TMLE080C16MP11	21.0	XAHD60G	2	1550	55.0	38.0	—	11.75
AC19B60B21S	TMLE080C16MP11	24.5	XAHD60H	1	1125	46.5	30.4	15.75	22.65
AC19B60B21S	TMLE080C16MP11	24.5	XAHD60H	2	1575	56.5	38.5	—	12.00
AC19B60B21S	TMLE080C16MP11	24.5	XAHD60J	1	1025	46.0	28.8	15.75	22.85
AC19B60B21S	TMLE080C16MP11	24.5	XAHD60J	2	1550	56.5	37.8	—	12.00
AC19B60B21S	TMLE080C20MP11	21.0	XAF/XAUC60G	1	1300	47.5	31.8	15.50	22.75
AC19B60B21S	TMLE080C20MP11	21.0	XAF/XAUC60G	2	1750	55.5	40.0	—	11.75
AC19B60B21S	TMLE080C20MP11	24.5	XAF/XAUD60G	1	1300	47.5	31.8	15.75	22.75
AC19B60B21S	TMLE080C20MP11	24.5	XAF/XAUD60G	2	1750	56.0	39.5	—	11.75
AC19B60B21S	TMLE080C20MP11	24.5	XAF/XAUD60H	1	1275	47.5	32.0	15.75	22.70
AC19B60B21S	TMLE080C20MP11	24.5	XAF/XAUD60H	2	1550	56.5	38.0	—	12.25
AC19B60B21S	TMLE080C20MP11	21.0	XAFC60H	1	1300	48.0	32.4	16.00	22.90
AC19B60B21S	TMLE080C20MP11	21.0	XAFC60H	2	1750	56.5	40.5	—	12.00
AC19B60B21S	TMLE080C20MP11	24.5	XAFD60J	1	1300	48.0	32.2	16.00	22.95
AC19B60B21S	TMLE080C20MP11	24.5	XAFD60J	2	1750	58.0	40.5	—	12.00
AC19B60B21S	TMLE080C20MP11	21.0	XAHC60G	1	1300	47.5	31.8	15.50	22.75
AC19B60B21S	TMLE080C20MP11	21.0	XAHC60G	2	1550	55.0	38.0	—	12.00
AC19B60B21S	TMLE080C20MP11	21.0	XAHC60H	1	1300	48.0	32.4	16.00	22.90
AC19B60B21S	TMLE080C20MP11	21.0	XAHC60H	2	1550	56.0	38.5	—	12.50
AC19B60B21S	TMLE080C20MP11	21.0	XAHD60G	1	1275	47.5	31.6	15.50	22.60
AC19B60B21S	TMLE080C20MP11	21.0	XAHD60G	2	1725	56.0	40.0	—	11.75
AC19B60B21S	TMLE080C20MP11	24.5	XAHD60H	1	1275	47.5	32.0	15.75	22.70
AC19B60B21S	TMLE080C20MP11	24.5	XAHD60H	2	1550	56.5	38.0	—	12.25
AC19B60B21S	TMLE080C20MP11	24.5	XAHD60J	1	1275	48.0	32.0	15.75	22.75
AC19B60B21S	TMLE080C20MP11	24.5	XAHD60J	2	1525	57.0	37.8	—	12.25
AC19B60B21S	TMLE100C16MP11	21.0	XAF/XAUC60G	1	1000	45.5	28.6	15.50	22.65
AC19B60B21S	TMLE100C16MP11	21.0	XAF/XAUC60G	2	1575	54.5	38.0	—	11.75
AC19B60B21S	TMLE100C16MP11	24.5	XAF/XAUD60G	1	1000	45.5	28.6	15.50	22.65
AC19B60B21S	TMLE100C16MP11	24.5	XAF/XAUD60G	2	1575	55.0	37.8	—	11.75
AC19B60B21S	TMLE100C16MP11	24.5	XAF/XAUD60H	1	1150	47.0	30.8	15.75	22.60
AC19B60B21S	TMLE100C16MP11	24.5	XAF/XAUD60H	2	1575	56.5	38.5	—	12.00
AC19B60B21S	TMLE100C16MP11	21.0	XAFC60H	1	1150	47.0	30.8	15.75	22.65
AC19B60B21S	TMLE100C16MP11	21.0	XAFC60H	2	1575	56.0	39.0	—	12.00
AC19B60B21S	TMLE100C16MP11	24.5	XAFD60J	1	1025	46.0	29.0	15.75	22.90
AC19B60B21S	TMLE100C16MP11	24.5	XAFD60J	2	1575	57.0	38.5	—	12.00
AC19B60B21S	TMLE100C16MP11	21.0	XAHC60G	1	1025	46.0	29.0	15.75	22.80
AC19B60B21S	TMLE100C16MP11	21.0	XAHC60G	2	1575	54.5	38.0	—	11.75
AC19B60B21S	TMLE100C16MP11	21.0	XAHC60H	1	1050	46.0	29.4	16.00	23.10
AC19B60B21S	TMLE100C16MP11	21.0	XAHC60H	2	1575	56.0	39.0	—	12.00
AC19B60B21S	TMLE100C16MP11	21.0	XAHD60G	1	1125	46.5	30.0	15.50	22.40
AC19B60B21S	TMLE100C16MP11	21.0	XAHD60G	2	1550	55.0	38.0	—	11.75
AC19B60B21S	TMLE100C16MP11	24.5	XAHD60H	1	1000	45.5	28.8	15.75	22.75

SYSTEM CAPACITY - With High Efficiency Motor Furnaces¹ (Continued)

UNIT MODEL	FURNACE MODEL	WIDTH	COIL MODEL ²	STAGE	COOLING				
					RATED CFM	NET MBH		SEER	EER
						TOTAL	SENS.		
AC19B60B21S	TMLE100C16MP11	24.5	XAHD60H	2	1575	56.5	38.5	—	12.00
AC19B60B21S	TMLE100C16MP11	24.5	XAHD60J	1	1000	45.5	28.4	15.75	22.75
AC19B60B21S	TMLE100C16MP11	24.5	XAHD60J	2	1550	57.0	38.0	—	12.00
AC19B60B21S	TMLE100C20MP11	21.0	XAF/XAUC60G	1	1275	47.5	31.6	15.75	22.60
AC19B60B21S	TMLE100C20MP11	21.0	XAF/XAUC60G	2	1500	54.5	37.6	—	12.00
AC19B60B21S	TMLE100C20MP11	24.5	XAF/XAUD60G	1	1275	47.5	31.6	15.75	22.55
AC19B60B21S	TMLE100C20MP11	24.5	XAF/XAUD60G	2	1525	55.0	37.4	—	12.00
AC19B60B21S	TMLE100C20MP11	24.5	XAF/XAUD60H	1	1275	47.5	32.0	15.75	22.75
AC19B60B21S	TMLE100C20MP11	24.5	XAF/XAUD60H	2	1725	57.0	40.0	—	12.00
AC19B60B21S	TMLE100C20MP11	21.0	XAFC60H	1	1275	47.5	32.0	15.75	22.70
AC19B60B21S	TMLE100C20MP11	21.0	XAFC60H	2	1525	56.0	38.5	—	12.50
AC19B60B21S	TMLE100C20MP11	24.5	XAFD60J	1	1275	47.5	31.8	15.75	22.80
AC19B60B21S	TMLE100C20MP11	24.5	XAFD60J	2	1500	57.0	37.6	—	12.25
AC19B60B21S	TMLE100C20MP11	21.0	XAHC60G	1	1300	47.5	31.8	15.75	22.75
AC19B60B21S	TMLE100C20MP11	21.0	XAHC60G	2	1725	55.5	40.0	—	11.75
AC19B60B21S	TMLE100C20MP11	21.0	XAHC60H	1	1300	48.0	32.4	16.00	22.85
AC19B60B21S	TMLE100C20MP11	21.0	XAHC60H	2	1525	56.0	38.5	—	12.50
AC19B60B21S	TMLE100C20MP11	21.0	XAHD60G	1	1275	47.5	31.6	15.50	22.55
AC19B60B21S	TMLE100C20MP11	21.0	XAHD60G	2	1725	56.0	40.0	—	11.75
AC19B60B21S	TMLE100C20MP11	24.5	XAHD60H	1	1275	47.5	32.0	15.75	22.75
AC19B60B21S	TMLE100C20MP11	24.5	XAHD60H	2	1725	57.0	40.0	—	12.00
AC19B60B21S	TMLE100C20MP11	24.5	XAHD60J	1	1275	47.5	31.8	15.75	22.80
AC19B60B21S	TMLE100C20MP11	24.5	XAHD60J	2	1725	57.5	40.0	—	12.00
AC19B60B21S	TMLE120C16MP11	21.0	XAF/XAUC60G	1	1025	45.5	28.8	15.75	22.75
AC19B60B21S	TMLE120C16MP11	21.0	XAF/XAUC60G	2	1575	54.5	38.0	—	11.75
AC19B60B21S	TMLE120C16MP11	24.5	XAF/XAUD60G	1	1000	45.5	28.6	15.50	22.65
AC19B60B21S	TMLE120C16MP11	24.5	XAF/XAUD60G	2	1575	55.0	37.8	—	11.75
AC19B60B21S	TMLE120C16MP11	24.5	XAF/XAUD60H	1	1150	47.0	30.8	15.75	22.65
AC19B60B21S	TMLE120C16MP11	24.5	XAF/XAUD60H	2	1575	56.5	38.5	—	12.00
AC19B60B21S	TMLE120C16MP11	21.0	XAFC60H	1	1025	46.0	29.2	15.75	22.90
AC19B60B21S	TMLE120C16MP11	21.0	XAFC60H	2	1575	56.0	39.0	—	12.25
AC19B60B21S	TMLE120C16MP11	24.5	XAFD60J	1	1025	46.0	29.0	15.75	22.90
AC19B60B21S	TMLE120C16MP11	24.5	XAFD60J	2	1575	57.0	38.5	—	12.00
AC19B60B21S	TMLE120C16MP11	21.0	XAHC60G	1	1050	46.0	29.2	15.75	23.00
AC19B60B21S	TMLE120C16MP11	21.0	XAHC60G	2	1575	54.5	38.0	—	11.75
AC19B60B21S	TMLE120C16MP11	21.0	XAHC60H	1	1050	46.0	29.4	16.00	23.10
AC19B60B21S	TMLE120C16MP11	21.0	XAHC60H	2	1575	56.0	39.0	—	12.25
AC19B60B21S	TMLE120C16MP11	21.0	XAHD60G	1	1000	45.5	28.6	15.50	22.60
AC19B60B21S	TMLE120C16MP11	21.0	XAHD60G	2	1575	55.0	38.0	—	11.75
AC19B60B21S	TMLE120C16MP11	24.5	XAHD60H	1	1150	47.0	30.8	15.75	22.65
AC19B60B21S	TMLE120C16MP11	24.5	XAHD60H	2	1575	56.5	38.5	—	12.00
AC19B60B21S	TMLE120C16MP11	24.5	XAHD60J	1	1025	46.0	29.0	15.75	22.90
AC19B60B21S	TMLE120C16MP11	24.5	XAHD60J	2	1575	57.0	38.5	—	12.00
AC19B60B21S	TMLE120C20MP11	21.0	XAF/XAUC60G	1	1300	47.5	31.8	15.50	22.45
AC19B60B21S	TMLE120C20MP11	21.0	XAF/XAUC60G	2	1500	54.5	37.4	—	12.25
AC19B60B21S	TMLE120C20MP11	24.5	XAF/XAUD60G	1	1325	47.5	32.0	15.75	22.60
AC19B60B21S	TMLE120C20MP11	24.5	XAF/XAUD60G	2	1750	56.0	39.5	—	11.75
AC19B60B21S	TMLE120C20MP11	24.5	XAF/XAUD60H	1	1300	48.0	32.4	15.75	22.65
AC19B60B21S	TMLE120C20MP11	24.5	XAF/XAUD60H	2	1750	57.0	40.0	—	12.00
AC19B60B21S	TMLE120C20MP11	21.0	XAFC60H	1	1300	47.5	32.2	15.75	22.60
AC19B60B21S	TMLE120C20MP11	21.0	XAFC60H	2	1500	56.0	38.0	—	12.50

SYSTEM CAPACITY - With High Efficiency Motor Furnaces¹ (Continued)

UNIT MODEL	FURNACE MODEL	WIDTH	COIL MODEL ²	STAGE	COOLING				
					RATED CFM	NET MBH		SEER	EER
						TOTAL	SENS.		
AC19B60B21S	TMLE120C20MP11	24.5	XAFD60J	1	1325	48.0	32.4	15.75	22.80
AC19B60B21S	TMLE120C20MP11	24.5	XAFD60J	2	1750	58.0	40.5	—	12.00
AC19B60B21S	TMLE120C20MP11	21.0	XAHC60G	1	1325	47.5	32.0	15.50	22.65
AC19B60B21S	TMLE120C20MP11	21.0	XAHC60G	2	1750	55.5	40.0	—	11.75
AC19B60B21S	TMLE120C20MP11	21.0	XAHC60H	1	1350	48.0	32.8	16.00	22.90
AC19B60B21S	TMLE120C20MP11	21.0	XAHC60H	2	1750	56.5	40.5	—	12.00
AC19B60B21S	TMLE120C20MP11	21.0	XAHD60G	1	1300	47.5	31.8	15.50	22.45
AC19B60B21S	TMLE120C20MP11	21.0	XAHD60G	2	1725	56.0	40.0	—	11.75
AC19B60B21S	TMLE120C20MP11	24.5	XAHD60H	1	1325	48.0	32.6	15.75	22.75
AC19B60B21S	TMLE120C20MP11	24.5	XAHD60H	2	1750	57.0	40.0	—	12.00
AC19B60B21S	TMLE120C20MP11	24.5	XAHD60J	1	1300	48.0	32.2	15.75	22.65
AC19B60B21S	TMLE120C20MP11	24.5	XAHD60J	2	1500	57.0	37.6	—	12.25
AC19B60B21S	TMLE130D20MP11	24.5	XAF/XAUD60G	1	1325	47.5	32.0	15.75	22.70
AC19B60B21S	TMLE130D20MP11	24.5	XAF/XAUD60G	2	1800	55.5	40.5	—	11.75
AC19B60B21S	TMLE130D20MP11	24.5	XAF/XAUD60H	1	1300	48.0	32.4	15.75	22.65
AC19B60B21S	TMLE130D20MP11	24.5	XAF/XAUD60H	2	1625	56.5	39.5	—	12.25
AC19B60B21S	TMLE130D20MP11	24.5	XAFD60J	1	1325	48.0	32.4	16.00	22.85
AC19B60B21S	TMLE130D20MP11	24.5	XAFD60J	2	1625	57.0	39.0	—	12.25
AC19B60B21S	TMLE130D20MP11	21.0	XAHD60G	1	1300	47.5	31.8	15.50	22.50
AC19B60B21S	TMLE130D20MP11	21.0	XAHD60G	2	1600	55.0	38.5	—	12.00
AC19B60B21S	TMLE130D20MP11	24.5	XAHD60H	1	1300	48.0	32.4	15.75	22.65
AC19B60B21S	TMLE130D20MP11	24.5	XAHD60H	2	1625	56.5	39.5	—	12.25
AC19B60B21S	TMLE130D20MP11	24.5	XAHD60J	1	1300	48.0	32.2	15.75	22.70
AC19B60B21S	TMLE130D20MP11	24.5	XAHD60J	2	1600	57.0	39.0	—	12.25
AC19B60B21S	TMLV080C16MP12C	21.0	CF/CM/CU60C	1	1100	45.5	31.8	15.75	22.35
AC19B60B21S	TMLV080C16MP12C	21.0	CF/CM/CU60C	2	1700	57.5	42.5	15.75	12.00
AC19B60B21S	TMLV080C16MP12C	21.0	CF/CM/CU60D	1	1100	45.5	31.8	16.00	22.45
AC19B60B21S	TMLV080C16MP12C	21.0	CF/CM/CU60D	2	1700	57.5	42.5	16.00	12.00
AC19B60B21S	TMLV080C16MP12C	21.0	CF/CM64D	1	1100	46.0	32.0	16.00	22.60
AC19B60B21S	TMLV080C16MP12C	21.0	CF/CM64D	2	1725	58.5	43.5	16.00	12.00
AC19B60B21S	TMLV100C16MP12C	21.0	CF/CM/CU60C	1	1100	45.5	31.8	15.75	22.35
AC19B60B21S	TMLV100C16MP12C	21.0	CF/CM/CU60C	2	1700	57.5	42.5	15.75	12.00
AC19B60B21S	TMLV100C16MP12C	21.0	CF/CM/CU60D	1	1100	45.5	31.8	16.00	22.45
AC19B60B21S	TMLV100C16MP12C	21.0	CF/CM/CU60D	2	1700	57.5	42.5	16.00	12.00
AC19B60B21S	TMLV100C16MP12C	21.0	CF/CM64D	1	1100	46.0	32.0	16.00	22.60
AC19B60B21S	TMLV100C16MP12C	21.0	CF/CM64D	2	1725	58.5	43.5	16.00	12.00
AC19B60B21S	TMLV100C20MP12C	21.0	CF/CM/CU60C	1	1075	45.5	31.6	16.00	22.60
AC19B60B21S	TMLV100C20MP12C	21.0	CF/CM/CU60C	2	1550	57.5	41.5	16.00	12.50
AC19B60B21S	TMLV100C20MP12C	21.0	CF/CM/CU60D	1	1100	46.0	31.8	16.25	22.85
AC19B60B21S	TMLV100C20MP12C	21.0	CF/CM/CU60D	2	1625	58.0	42.5	16.25	12.50
AC19B60B21S	TMLV100C20MP12C	21.0	CF/CM64D	1	1050	45.5	31.2	16.25	22.90
AC19B60B21S	TMLV100C20MP12C	21.0	CF/CM64D	2	1550	58.5	42.0	16.25	12.75
AC19B60B21S	TMLV120C20MP12C	21.0	CF/CM/CU60C	1	1075	45.5	31.6	16.00	22.60
AC19B60B21S	TMLV120C20MP12C	21.0	CF/CM/CU60C	2	1550	57.5	41.5	16.00	12.50
AC19B60B21S	TMLV120C20MP12C	21.0	CF/CM/CU60D	1	1100	46.0	31.8	16.25	22.85
AC19B60B21S	TMLV120C20MP12C	21.0	CF/CM/CU60D	2	1625	58.0	42.5	16.25	12.50
AC19B60B21S	TMLV120C20MP12C	21.0	CF/CM64D	1	1050	45.5	31.2	16.25	22.90
AC19B60B21S	TMLV120C20MP12C	21.0	CF/CM64D	2	1550	58.5	42.0	16.25	12.75
AC19B60B21S	TMLV120C20MP12C	21.0	XAF/XAUC60G	1	1225	47.0	31.0	15.75	22.80
AC19B60B21S	TMLV120C20MP12C	21.0	XAF/XAUC60G	2	1775	55.5	40.5	—	11.75
AC19B60B21S	TMLV120C20MP12C	24.5	XAF/XAUD60G	1	1225	47.0	31.0	15.75	22.80

SYSTEM CAPACITY - With High Efficiency Motor Furnaces¹ (Continued)

UNIT MODEL	FURNACE MODEL	WIDTH	COIL MODEL ²	STAGE	COOLING				
					RATED CFM	NET MBH		SEER	EER
						TOTAL	SENS.		
AC19B60B21S	TMLV120C20MP12C	24.5	XAF/XAUD60G	2	1775	56.0	40.0	—	11.75
AC19B60B21S	TMLV120C20MP12C	24.5	XAF/XAUD60H	1	1225	47.5	31.6	15.75	22.85
AC19B60B21S	TMLV120C20MP12C	24.5	XAF/XAUD60H	2	1775	57.0	40.5	—	12.00
AC19B60B21S	TMLV120C20MP12C	21.0	XAFC60H	1	1225	47.5	31.6	16.00	22.95
AC19B60B21S	TMLV120C20MP12C	21.0	XAFC60H	2	1775	56.5	40.5	—	12.00
AC19B60B21S	TMLV120C20MP12C	24.5	XAFD60J	1	1075	46.5	29.6	16.00	23.05
AC19B60B21S	TMLV120C20MP12C	24.5	XAFD60J	2	1550	57.0	38.0	—	12.25
AC19B60B21S	TMLV120C20MP12C	21.0	XAHC60G	1	1075	46.0	29.4	15.75	23.05
AC19B60B21S	TMLV120C20MP12C	21.0	XAHC60G	2	1550	54.5	37.8	—	12.00
AC19B60B21S	TMLV120C20MP12C	21.0	XAHC60H	1	1075	46.5	29.8	16.00	23.20
AC19B60B21S	TMLV120C20MP12C	21.0	XAHC60H	2	1550	56.0	38.5	—	12.50
AC19B60B21S	TMLV120C20MP12C	24.5	XAHD60H	1	1225	47.5	31.6	15.75	22.90
AC19B60B21S	TMLV120C20MP12C	24.5	XAHD60H	2	1775	57.0	40.5	—	12.00
AC19B60B21S	TMLX080C16MP11	21.0	CF/CM/CU60C	1	1025	44.0	30.2	15.50	21.85
AC19B60B21S	TMLX080C16MP11	21.0	CF/CM/CU60C	2	1525	56.0	40.0	15.50	12.00
AC19B60B21S	TMLX080C16MP11	21.0	CF/CM/CU60D	1	1025	44.0	30.4	15.50	21.95
AC19B60B21S	TMLX080C16MP11	21.0	CF/CM/CU60D	2	1550	56.5	40.5	15.50	12.00
AC19B60B21S	TMLX080C16MP11	21.0	CF/CM64D	1	1025	45.5	30.8	16.00	22.85
AC19B60B21S	TMLX080C16MP11	21.0	CF/CM64D	2	1525	58.0	41.5	16.00	12.25
AC19B60B21S	TMLX100C16MP11	21.0	CF/CM/CU60C	1	1025	44.0	30.2	15.50	21.85
AC19B60B21S	TMLX100C16MP11	21.0	CF/CM/CU60C	2	1525	56.0	40.0	15.50	12.00
AC19B60B21S	TMLX100C16MP11	21.0	CF/CM/CU60D	1	1025	44.0	30.4	15.50	21.95
AC19B60B21S	TMLX100C16MP11	21.0	CF/CM/CU60D	2	1550	56.5	40.5	15.50	12.00
AC19B60B21S	TMLX100C16MP11	21.0	CF/CM64D	1	1025	45.5	30.8	16.00	22.85
AC19B60B21S	TMLX100C16MP11	21.0	CF/CM64D	2	1525	58.0	41.5	16.00	12.25
AC19B60B21S	TMLX100C20MP11	21.0	CF/CM/CU60C	1	1050	44.5	30.4	15.75	22.05
AC19B60B21S	TMLX100C20MP11	21.0	CF/CM/CU60C	2	1550	56.5	40.5	15.75	12.50
AC19B60B21S	TMLX100C20MP11	21.0	CF/CM/CU60D	1	1075	44.5	30.8	15.75	22.30
AC19B60B21S	TMLX100C20MP11	21.0	CF/CM/CU60D	2	1600	57.0	41.5	15.75	12.50
AC19B60B21S	TMLX100C20MP11	21.0	CF/CM64D	1	1050	45.5	31.2	16.25	23.00
AC19B60B21S	TMLX100C20MP11	21.0	CF/CM64D	2	1550	58.5	42.0	16.25	13.00
AC19B60B21S	TMLX120C20MP11	21.0	CF/CM/CU60C	1	1050	44.5	30.4	15.75	22.05
AC19B60B21S	TMLX120C20MP11	21.0	CF/CM/CU60C	2	1550	56.5	40.5	15.75	12.50
AC19B60B21S	TMLX120C20MP11	21.0	CF/CM/CU60D	1	1075	44.5	30.8	15.75	22.30
AC19B60B21S	TMLX120C20MP11	21.0	CF/CM/CU60D	2	1600	57.0	41.5	15.75	12.50
AC19B60B21S	TMLX120C20MP11	21.0	CF/CM64D	1	1050	45.5	31.2	16.25	23.00
AC19B60B21S	TMLX120C20MP11	21.0	CF/CM64D	2	1550	58.5	42.0	16.25	13.00
AC19B60B21S	TP9C080C16MP13C	21.0	CF/CM/CU60C	1	975	44.5	30.0	15.75	22.15
AC19B60B21S	TP9C080C16MP13C	21.0	CF/CM/CU60C	2	1525	57.0	40.5	15.75	12.00
AC19B60B21S	TP9C080C16MP13C	21.0	CF/CM/CU60D	1	975	44.5	30.0	15.75	22.25
AC19B60B21S	TP9C080C16MP13C	21.0	CF/CM/CU60D	2	1525	57.0	40.5	15.75	12.25
AC19B60B21S	TP9C080C16MP13C	21.0	CF/CM64D	1	975	45.0	30.2	15.75	22.40
AC19B60B21S	TP9C080C16MP13C	21.0	CF/CM64D	2	1525	57.5	41.0	15.75	12.25
AC19B60B21S	TP9C100C16MP13C	21.0	CF/CM/CU60C	1	1100	45.5	31.6	15.75	22.40
AC19B60B21S	TP9C100C16MP13C	21.0	CF/CM/CU60C	2	1600	57.5	42.0	15.75	12.25
AC19B60B21S	TP9C100C16MP13C	21.0	CF/CM/CU60D	1	1100	45.5	31.6	16.00	22.55
AC19B60B21S	TP9C100C16MP13C	21.0	CF/CM/CU60D	2	1600	57.5	42.0	16.00	12.25
AC19B60B21S	TP9C100C16MP13C	21.0	CF/CM64D	1	1025	45.5	30.8	16.00	22.65
AC19B60B21S	TP9C100C16MP13C	21.0	CF/CM64D	2	1475	58.0	40.5	16.00	12.50
AC19B60B21S	TP9C100C16MP13C	21.0	XAF/XAUC60G	1	1100	46.0	29.6	15.50	22.55
AC19B60B21S	TP9C100C16MP13C	21.0	XAF/XAUC60G	2	1600	54.5	38.5	—	11.75

SYSTEM CAPACITY - With High Efficiency Motor Furnaces¹ (Continued)

UNIT MODEL	FURNACE MODEL	WIDTH	COIL MODEL ²	STAGE	COOLING				
					RATED CFM	NET MBH		SEER	EER
						TOTAL	SENS.		
AC19B60B21S	TP9C100C16MP13C	24.5	XAF/XAUD60G	1	1100	46.0	29.6	15.50	22.50
AC19B60B21S	TP9C100C16MP13C	24.5	XAF/XAUD60G	2	1600	55.0	38.0	—	11.75
AC19B60B21S	TP9C100C16MP13C	24.5	XAF/XAUD60H	1	1125	46.5	30.4	15.75	22.60
AC19B60B21S	TP9C100C16MP13C	24.5	XAF/XAUD60H	2	1600	56.5	39.0	—	12.00
AC19B60B21S	TP9C100C16MP13C	21.0	XAFC60H	1	1100	46.5	30.2	15.75	22.70
AC19B60B21S	TP9C100C16MP13C	21.0	XAFC60H	2	1600	56.0	39.0	—	12.00
AC19B60B21S	TP9C100C16MP13C	24.5	XAFD60J	1	1100	46.5	29.8	15.75	22.75
AC19B60B21S	TP9C100C16MP13C	24.5	XAFD60J	2	1600	57.0	38.5	—	12.00
AC19B60B21S	TP9C100C16MP13C	21.0	XAHC60G	1	1100	46.5	29.8	15.75	22.75
AC19B60B21S	TP9C100C16MP13C	21.0	XAHC60G	2	1600	54.5	38.5	—	11.75
AC19B60B21S	TP9C100C16MP13C	21.0	XAHC60H	1	1100	46.5	30.0	16.00	22.95
AC19B60B21S	TP9C100C16MP13C	21.0	XAHC60H	2	1600	56.0	39.0	—	12.00
AC19B60B21S	TP9C100C16MP13C	21.0	XAHD60G	1	1125	46.5	30.0	15.50	22.45
AC19B60B21S	TP9C100C16MP13C	21.0	XAHD60G	2	1625	55.0	38.5	—	11.75
AC19B60B21S	TP9C100C16MP13C	24.5	XAHD60H	1	1125	46.5	30.4	15.75	22.65
AC19B60B21S	TP9C100C16MP13C	24.5	XAHD60H	2	1600	56.5	39.0	—	12.00
AC19B60B21S	TP9C100C20MP13C	21.0	CF/CM/CU60C	1	1050	45.0	31.0	15.75	22.30
AC19B60B21S	TP9C100C20MP13C	21.0	CF/CM/CU60C	2	1625	57.5	42.0	15.75	12.25
AC19B60B21S	TP9C100C20MP13C	21.0	CF/CM64D	1	975	45.0	30.2	16.00	22.70
AC19B60B21S	TP9C100C20MP13C	21.0	CF/CM64D	2	1600	58.0	42.0	16.00	12.25
AC19B60B21S	TP9C100C20MP13C	21.0	XAF/XAUC60G	1	975	45.0	28.2	15.50	22.45
AC19B60B21S	TP9C100C20MP13C	21.0	XAF/XAUC60G	2	1600	54.5	38.5	—	11.75
AC19B60B21S	TP9C100C20MP13C	24.5	XAF/XAUD60G	1	1050	46.0	29.2	15.50	22.50
AC19B60B21S	TP9C100C20MP13C	24.5	XAF/XAUD60G	2	1625	55.5	38.5	—	11.75
AC19B60B21S	TP9C100C20MP13C	24.5	XAF/XAUD60H	1	1050	46.0	29.6	15.50	22.45
AC19B60B21S	TP9C100C20MP13C	24.5	XAF/XAUD60H	2	1625	56.5	39.0	—	12.00
AC19B60B21S	TP9C100C20MP13C	21.0	XAFC60H	1	1050	46.0	29.4	15.75	22.65
AC19B60B21S	TP9C100C20MP13C	21.0	XAFC60H	2	1625	56.0	39.5	—	12.00
AC19B60B21S	TP9C100C20MP13C	24.5	XAFD60J	1	1050	46.0	29.0	15.75	22.70
AC19B60B21S	TP9C100C20MP13C	24.5	XAFD60J	2	1625	57.0	39.0	—	12.00
AC19B60B21S	TP9C100C20MP13C	21.0	XAHC60G	1	975	45.5	28.4	15.50	22.70
AC19B60B21S	TP9C100C20MP13C	21.0	XAHC60G	2	1600	54.5	38.5	—	11.75
AC19B60B21S	TP9C100C20MP13C	21.0	XAHC60H	1	975	45.5	28.6	15.75	22.85
AC19B60B21S	TP9C100C20MP13C	21.0	XAHC60H	2	1600	56.0	39.0	—	12.00
AC19B60B21S	TP9C100C20MP13C	21.0	XAHD60G	1	975	45.0	28.2	15.50	22.30
AC19B60B21S	TP9C100C20MP13C	21.0	XAHD60G	2	1600	55.0	38.5	—	11.75
AC19B60B21S	TP9C100C20MP13C	24.5	XAHD60H	1	1050	46.0	29.6	15.75	22.55
AC19B60B21S	TP9C100C20MP13C	24.5	XAHD60H	2	1625	56.5	39.0	—	12.00
AC19B60B21S	TP9C100C20MP13C	24.5	XAHD60J	1	975	45.5	28.2	15.75	22.65
AC19B60B21S	TP9C100C20MP13C	24.5	XAHD60J	2	1600	57.0	38.5	—	12.00
AC19B60B21S	TP9C120D20MP13C	24.5	CF/CM/CU60D	1	1125	46.0	32.2	16.00	22.90
AC19B60B21S	TP9C120D20MP13C	24.5	CF/CM/CU60D	2	1800	56.5	41.0	16.00	12.00
AC19B60B21S	TP9C120D20MP13C	24.5	CF/CM64D	1	1125	46.5	32.4	16.25	23.00
AC19B60B21S	TP9C120D20MP13C	24.5	CF/CM64D	2	1800	59.5	45.0	16.25	12.25
AC19B60B21S	TP9C120D20MP13C	24.5	XAF/XAUD60G	1	1125	46.5	30.0	15.75	22.90
AC19B60B21S	TP9C120D20MP13C	24.5	XAF/XAUD60G	2	1800	55.5	40.5	—	11.75
AC19B60B21S	TP9C120D20MP13C	24.5	XAF/XAUD60H	1	1125	46.5	30.2	15.75	22.90
AC19B60B21S	TP9C120D20MP13C	24.5	XAF/XAUD60H	2	1800	57.0	41.0	—	12.00
AC19B60B21S	TP9C120D20MP13C	24.5	XAFD60J	1	1125	47.0	30.2	16.00	23.20
AC19B60B21S	TP9C120D20MP13C	24.5	XAFD60J	2	1800	57.5	41.0	—	12.00
AC19B60B21S	TP9C120D20MP13C	21.0	XAHD60G	1	1000	45.5	28.6	15.50	22.65

SYSTEM CAPACITY - With High Efficiency Motor Furnaces¹ (Continued)

UNIT MODEL	FURNACE MODEL	WIDTH	COIL MODEL ²	STAGE	COOLING				
					RATED CFM	NET MBH		SEER	EER
						TOTAL	SENS.		
AC19B60B21S	TP9C120D20MP13C	21.0	XAHD60G	2	1575	55.0	38.5	—	12.00
AC19B60B21S	TP9C120D20MP13C	24.5	XAHD60H	1	1000	45.5	28.8	15.75	22.85
AC19B60B21S	TP9C120D20MP13C	24.5	XAHD60H	2	1575	56.0	39.0	—	12.25
AC19B60B21S	TP9C120D20MP13C	24.5	XAHD60J	1	1000	46.0	28.6	15.75	22.95
AC19B60B21S	TP9C120D20MP13C	24.5	XAHD60J	2	1575	56.5	38.5	—	12.25
AC19B60B21S	TPLC080C16MP13C	21.0	CF/CM/CU60C	1	1100	45.5	31.8	15.75	22.35
AC19B60B21S	TPLC080C16MP13C	21.0	CF/CM/CU60C	2	1700	57.5	42.5	15.75	12.00
AC19B60B21S	TPLC080C16MP13C	21.0	CF/CM/CU60D	1	1100	45.5	31.8	16.00	22.45
AC19B60B21S	TPLC080C16MP13C	21.0	CF/CM/CU60D	2	1700	57.5	42.5	16.00	12.00
AC19B60B21S	TPLC080C16MP13C	21.0	CF/CM64D	1	1100	46.0	32.0	16.00	22.60
AC19B60B21S	TPLC080C16MP13C	21.0	CF/CM64D	2	1725	58.5	43.5	16.00	12.00
AC19B60B21S	TPLC100C16MP13C	21.0	CF/CM/CU60C	1	1100	45.5	31.8	15.75	22.35
AC19B60B21S	TPLC100C16MP13C	21.0	CF/CM/CU60C	2	1700	57.5	42.5	15.75	12.00
AC19B60B21S	TPLC100C16MP13C	21.0	CF/CM/CU60D	1	1100	45.5	31.8	16.00	22.45
AC19B60B21S	TPLC100C16MP13C	21.0	CF/CM/CU60D	2	1700	57.5	42.5	16.00	12.00
AC19B60B21S	TPLC100C16MP13C	21.0	CF/CM64D	1	1100	46.0	32.0	16.00	22.60
AC19B60B21S	TPLC100C16MP13C	21.0	CF/CM64D	2	1725	58.5	43.5	16.00	12.00
AC19B60B21S	TPLC100C20MP13C	21.0	CF/CM/CU60C	1	1075	45.5	31.6	16.00	22.60
AC19B60B21S	TPLC100C20MP13C	21.0	CF/CM/CU60C	2	1550	57.5	41.5	16.00	12.50
AC19B60B21S	TPLC100C20MP13C	21.0	CF/CM/CU60D	1	1100	46.0	31.8	16.25	22.85
AC19B60B21S	TPLC100C20MP13C	21.0	CF/CM/CU60D	2	1625	58.0	42.5	16.25	12.50
AC19B60B21S	TPLC100C20MP13C	21.0	CF/CM64D	1	1050	45.5	31.2	16.25	22.90
AC19B60B21S	TPLC100C20MP13C	21.0	CF/CM64D	2	1550	58.5	42.0	16.25	12.75
AC19B60B21S	TPLC100C20MP13C	21.0	XAF/XAUC60G	1	1225	47.0	31.0	15.75	22.80
AC19B60B21S	TPLC100C20MP13C	21.0	XAF/XAUC60G	2	1775	55.5	40.5	—	11.75
AC19B60B21S	TPLC100C20MP13C	24.5	XAF/XAUD60G	1	1225	47.0	31.0	15.75	22.80
AC19B60B21S	TPLC100C20MP13C	24.5	XAF/XAUD60G	2	1775	56.0	40.0	—	11.75
AC19B60B21S	TPLC100C20MP13C	24.5	XAF/XAUD60H	1	1225	47.5	31.6	15.75	22.85
AC19B60B21S	TPLC100C20MP13C	24.5	XAF/XAUD60H	2	1775	57.0	40.5	—	12.00
AC19B60B21S	TPLC100C20MP13C	21.0	XAFC60H	1	1225	47.5	31.6	16.00	22.95
AC19B60B21S	TPLC100C20MP13C	21.0	XAFC60H	2	1775	56.5	40.5	—	12.00
AC19B60B21S	TPLC100C20MP13C	24.5	XAFD60J	1	1075	46.5	29.6	16.00	23.05
AC19B60B21S	TPLC100C20MP13C	24.5	XAFD60J	2	1550	57.0	38.0	—	12.25
AC19B60B21S	TPLC100C20MP13C	21.0	XAHC60G	1	1075	46.0	29.4	15.75	23.05
AC19B60B21S	TPLC100C20MP13C	21.0	XAHC60G	2	1550	54.5	37.8	—	12.00
AC19B60B21S	TPLC100C20MP13C	21.0	XAHC60H	1	1075	46.5	29.8	16.00	23.20
AC19B60B21S	TPLC100C20MP13C	21.0	XAHC60H	2	1550	56.0	38.5	—	12.50
AC19B60B21S	TPLC100C20MP13C	24.5	XAHD60H	1	1225	47.5	31.6	15.75	22.90
AC19B60B21S	TPLC100C20MP13C	24.5	XAHD60H	2	1775	57.0	40.5	—	12.00
AC19B60B21S	TPLC120C20MP13C	21.0	CF/CM/CU60C	1	1075	45.5	31.6	16.00	22.60
AC19B60B21S	TPLC120C20MP13C	21.0	CF/CM/CU60C	2	1550	57.5	41.5	16.00	12.50
AC19B60B21S	TPLC120C20MP13C	21.0	CF/CM/CU60D	1	1100	46.0	31.8	16.25	22.85
AC19B60B21S	TPLC120C20MP13C	21.0	CF/CM/CU60D	2	1625	58.0	42.5	16.25	12.50
AC19B60B21S	TPLC120C20MP13C	21.0	CF/CM64D	1	1050	45.5	31.2	16.25	22.90
AC19B60B21S	TPLC120C20MP13C	21.0	CF/CM64D	2	1550	58.5	42.0	16.25	12.75
AC19B60B21S	TPLC120C20MP13C	21.0	XAF/XAUC60G	1	1225	47.0	31.0	15.75	22.80
AC19B60B21S	TPLC120C20MP13C	21.0	XAF/XAUC60G	2	1775	55.5	40.5	—	11.75
AC19B60B21S	TPLC120C20MP13C	24.5	XAF/XAUD60G	1	1225	47.0	31.0	15.75	22.80
AC19B60B21S	TPLC120C20MP13C	24.5	XAF/XAUD60G	2	1775	56.0	40.0	—	11.75
AC19B60B21S	TPLC120C20MP13C	24.5	XAF/XAUD60H	1	1225	47.5	31.6	15.75	22.85
AC19B60B21S	TPLC120C20MP13C	24.5	XAF/XAUD60H	2	1775	57.0	40.5	—	12.00

SYSTEM CAPACITY - With High Efficiency Motor Furnaces¹ (Continued)

UNIT MODEL	FURNACE MODEL	WIDTH	COIL MODEL ²	STAGE	COOLING				
					RATED CFM	NET MBH		SEER	EER
						TOTAL	SENS.		
AC19B60B21S	TPLC120C20MP13C	21.0	XAFC60H	1	1225	47.5	31.6	16.00	22.95
AC19B60B21S	TPLC120C20MP13C	21.0	XAFC60H	2	1775	56.5	40.5	—	12.00
AC19B60B21S	TPLC120C20MP13C	24.5	XAFD60J	1	1075	46.5	29.6	16.00	23.05
AC19B60B21S	TPLC120C20MP13C	24.5	XAFD60J	2	1550	57.0	38.0	—	12.25
AC19B60B21S	TPLC120C20MP13C	21.0	XAHC60G	1	1075	46.0	29.4	15.75	23.05
AC19B60B21S	TPLC120C20MP13C	21.0	XAHC60G	2	1550	54.5	37.8	—	12.00
AC19B60B21S	TPLC120C20MP13C	21.0	XAHC60H	1	1075	46.5	29.8	16.00	23.20
AC19B60B21S	TPLC120C20MP13C	21.0	XAHC60H	2	1550	56.0	38.5	—	12.50
AC19B60B21S	TPLC120C20MP13C	24.5	XAHD60H	1	1225	47.5	31.6	15.75	22.90
AC19B60B21S	TPLC120C20MP13C	24.5	XAHD60H	2	1775	57.0	40.5	—	12.00
AC19B60B21S	CP9C080C16MP13C	21.0	CF/CM/CU60C	1	975	44.5	30.0	15.75	22.15
AC19B60B21S	CP9C080C16MP13C	21.0	CF/CM/CU60C	2	1525	57.0	40.5	15.75	12.00
AC19B60B21S	CP9C080C16MP13C	21.0	CF/CM/CU60D	1	975	44.5	30.0	15.75	22.25
AC19B60B21S	CP9C080C16MP13C	21.0	CF/CM/CU60D	2	1525	57.0	40.5	15.75	12.25
AC19B60B21S	CP9C080C16MP13C	21.0	CF/CM64D	1	975	45.0	30.2	15.75	22.40
AC19B60B21S	CP9C080C16MP13C	21.0	CF/CM64D	2	1525	57.5	41.0	15.75	12.25
AC19B60B21S	CP9C100C16MP13C	21.0	CF/CM/CU60C	1	1100	45.5	31.6	15.75	22.40
AC19B60B21S	CP9C100C16MP13C	21.0	CF/CM/CU60C	2	1600	57.5	42.0	15.75	12.25
AC19B60B21S	CP9C100C16MP13C	21.0	CF/CM/CU60D	1	1100	45.5	31.6	16.00	22.55
AC19B60B21S	CP9C100C16MP13C	21.0	CF/CM/CU60D	2	1600	57.5	42.0	16.00	12.25
AC19B60B21S	CP9C100C16MP13C	21.0	CF/CM64D	1	1025	45.5	30.8	16.00	22.65
AC19B60B21S	CP9C100C16MP13C	21.0	CF/CM64D	2	1475	58.0	40.5	16.00	12.50
AC19B60B21S	CP9C100C16MP13C	21.0	XAF/XAUC60G	1	1100	46.0	29.6	15.50	22.55
AC19B60B21S	CP9C100C16MP13C	21.0	XAF/XAUC60G	2	1600	54.5	38.5	—	11.75
AC19B60B21S	CP9C100C16MP13C	24.5	XAF/XAUD60G	1	1100	46.0	29.6	15.50	22.50
AC19B60B21S	CP9C100C16MP13C	24.5	XAF/XAUD60G	2	1600	55.0	38.0	—	11.75
AC19B60B21S	CP9C100C16MP13C	24.5	XAF/XAUD60H	1	1125	46.5	30.4	15.75	22.60
AC19B60B21S	CP9C100C16MP13C	24.5	XAF/XAUD60H	2	1600	56.5	39.0	—	12.00
AC19B60B21S	CP9C100C16MP13C	21.0	XAFC60H	1	1100	46.5	30.2	15.75	22.70
AC19B60B21S	CP9C100C16MP13C	21.0	XAFC60H	2	1600	56.0	39.0	—	12.00
AC19B60B21S	CP9C100C16MP13C	24.5	XAFD60J	1	1100	46.5	29.8	15.75	22.75
AC19B60B21S	CP9C100C16MP13C	24.5	XAFD60J	2	1600	57.0	38.5	—	12.00
AC19B60B21S	CP9C100C16MP13C	21.0	XAHC60G	1	1100	46.5	29.8	15.75	22.75
AC19B60B21S	CP9C100C16MP13C	21.0	XAHC60G	2	1600	54.5	38.5	—	11.75
AC19B60B21S	CP9C100C16MP13C	21.0	XAHC60H	1	1100	46.5	30.0	16.00	22.95
AC19B60B21S	CP9C100C16MP13C	21.0	XAHC60H	2	1600	56.0	39.0	—	12.00
AC19B60B21S	CP9C100C16MP13C	21.0	XAHD60G	1	1125	46.5	30.0	15.50	22.45
AC19B60B21S	CP9C100C16MP13C	21.0	XAHD60G	2	1625	55.0	38.5	—	11.75
AC19B60B21S	CP9C100C16MP13C	24.5	XAHD60H	1	1125	46.5	30.4	15.75	22.65
AC19B60B21S	CP9C100C16MP13C	24.5	XAHD60H	2	1600	56.5	39.0	—	12.00
AC19B60B21S	CP9C100C20MP13C	21.0	CF/CM/CU60C	1	1050	45.0	31.0	15.75	22.30
AC19B60B21S	CP9C100C20MP13C	21.0	CF/CM/CU60C	2	1625	57.5	42.0	15.75	12.25
AC19B60B21S	CP9C100C20MP13C	21.0	CF/CM64D	1	975	45.0	30.2	16.00	22.70
AC19B60B21S	CP9C100C20MP13C	21.0	CF/CM64D	2	1600	58.0	42.0	16.00	12.25
AC19B60B21S	CP9C100C20MP13C	21.0	XAF/XAUC60G	1	975	45.0	28.2	15.50	22.45
AC19B60B21S	CP9C100C20MP13C	21.0	XAF/XAUC60G	2	1600	54.5	38.5	—	11.75
AC19B60B21S	CP9C100C20MP13C	24.5	XAF/XAUD60G	1	1050	46.0	29.2	15.50	22.50
AC19B60B21S	CP9C100C20MP13C	24.5	XAF/XAUD60G	2	1625	55.5	38.5	—	11.75
AC19B60B21S	CP9C100C20MP13C	24.5	XAF/XAUD60H	1	1050	46.0	29.6	15.50	22.45
AC19B60B21S	CP9C100C20MP13C	24.5	XAF/XAUD60H	2	1625	56.5	39.0	—	12.00
AC19B60B21S	CP9C100C20MP13C	21.0	XAFC60H	1	1050	46.0	29.4	15.75	22.65

SYSTEM CAPACITY - With High Efficiency Motor Furnaces¹ (Continued)

UNIT MODEL	FURNACE MODEL	WIDTH	COIL MODEL ²	STAGE	COOLING				
					RATED CFM	NET MBH		SEER	EER
						TOTAL	SENS.		
AC19B60B21S	CP9C100C20MP13C	21.0	XAFC60H	2	1625	56.0	39.5	—	12.00
AC19B60B21S	CP9C100C20MP13C	24.5	XAFD60J	1	1050	46.0	29.0	15.75	22.70
AC19B60B21S	CP9C100C20MP13C	24.5	XAFD60J	2	1625	57.0	39.0	—	12.00
AC19B60B21S	CP9C100C20MP13C	21.0	XAHC60G	1	975	45.5	28.4	15.50	22.70
AC19B60B21S	CP9C100C20MP13C	21.0	XAHC60G	2	1600	54.5	38.5	—	11.75
AC19B60B21S	CP9C100C20MP13C	21.0	XAHC60H	1	975	45.5	28.6	15.75	22.85
AC19B60B21S	CP9C100C20MP13C	21.0	XAHC60H	2	1600	56.0	39.0	—	12.00
AC19B60B21S	CP9C100C20MP13C	21.0	XAHD60G	1	975	45.0	28.2	15.50	22.30
AC19B60B21S	CP9C100C20MP13C	21.0	XAHD60G	2	1600	55.0	38.5	—	11.75
AC19B60B21S	CP9C100C20MP13C	24.5	XAHD60H	1	1050	46.0	29.6	15.75	22.55
AC19B60B21S	CP9C100C20MP13C	24.5	XAHD60H	2	1625	56.5	39.0	—	12.00
AC19B60B21S	CP9C100C20MP13C	24.5	XAHD60J	1	975	45.5	28.2	15.75	22.65
AC19B60B21S	CP9C100C20MP13C	24.5	XAHD60J	2	1600	57.0	38.5	—	12.00
AC19B60B21S	CP9C120D20MP13C	24.5	CF/CM/CU60D	1	1125	46.0	32.2	16.00	22.90
AC19B60B21S	CP9C120D20MP13C	24.5	CF/CM/CU60D	2	1800	56.5	41.0	16.00	12.00
AC19B60B21S	CP9C120D20MP13C	24.5	CF/CM64D	1	1125	46.5	32.4	16.25	23.00
AC19B60B21S	CP9C120D20MP13C	24.5	CF/CM64D	2	1800	59.5	45.0	16.25	12.25
AC19B60B21S	CP9C120D20MP13C	24.5	XAF/XAUD60G	1	1125	46.5	30.0	15.75	22.90
AC19B60B21S	CP9C120D20MP13C	24.5	XAF/XAUD60G	2	1800	55.5	40.5	—	11.75
AC19B60B21S	CP9C120D20MP13C	24.5	XAF/XAUD60H	1	1125	46.5	30.2	15.75	22.90
AC19B60B21S	CP9C120D20MP13C	24.5	XAF/XAUD60H	2	1800	57.0	41.0	—	12.00
AC19B60B21S	CP9C120D20MP13C	24.5	XAFD60J	1	1125	47.0	30.2	16.00	23.20
AC19B60B21S	CP9C120D20MP13C	24.5	XAFD60J	2	1800	57.5	41.0	—	12.00
AC19B60B21S	CP9C120D20MP13C	21.0	XAHD60G	1	1000	45.5	28.6	15.50	22.65
AC19B60B21S	CP9C120D20MP13C	21.0	XAHD60G	2	1575	55.0	38.5	—	12.00
AC19B60B21S	CP9C120D20MP13C	24.5	XAHD60H	1	1000	45.5	28.8	15.75	22.85
AC19B60B21S	CP9C120D20MP13C	24.5	XAHD60H	2	1575	56.0	39.0	—	12.25
AC19B60B21S	CP9C120D20MP13C	24.5	XAHD60J	1	1000	46.0	28.6	15.75	22.95
AC19B60B21S	CP9C120D20MP13C	24.5	XAHD60J	2	1575	56.5	38.5	—	12.25
AC19B60B21S	CPLC080C16MP13C	21.0	CF/CM/CU60C	1	1100	45.5	31.8	15.75	22.35
AC19B60B21S	CPLC080C16MP13C	21.0	CF/CM/CU60C	2	1700	57.5	42.5	15.75	12.00
AC19B60B21S	CPLC080C16MP13C	21.0	CF/CM/CU60D	1	1100	45.5	31.8	16.00	22.45
AC19B60B21S	CPLC080C16MP13C	21.0	CF/CM/CU60D	2	1700	57.5	42.5	16.00	12.00
AC19B60B21S	CPLC080C16MP13C	21.0	CF/CM64D	1	1100	46.0	32.0	16.00	22.60
AC19B60B21S	CPLC080C16MP13C	21.0	CF/CM64D	2	1725	58.5	43.5	16.00	12.00
AC19B60B21S	CPLC100C16MP13C	21.0	CF/CM/CU60C	1	1100	45.5	31.8	15.75	22.35
AC19B60B21S	CPLC100C16MP13C	21.0	CF/CM/CU60C	2	1700	57.5	42.5	15.75	12.00
AC19B60B21S	CPLC100C16MP13C	21.0	CF/CM/CU60D	1	1100	45.5	31.8	16.00	22.45
AC19B60B21S	CPLC100C16MP13C	21.0	CF/CM/CU60D	2	1700	57.5	42.5	16.00	12.00
AC19B60B21S	CPLC100C16MP13C	21.0	CF/CM64D	1	1100	46.0	32.0	16.00	22.60
AC19B60B21S	CPLC100C16MP13C	21.0	CF/CM64D	2	1725	58.5	43.5	16.00	12.00
AC19B60B21S	CPLC100C20MP13C	21.0	CF/CM/CU60C	1	1075	45.5	31.6	16.00	22.60
AC19B60B21S	CPLC100C20MP13C	21.0	CF/CM/CU60C	2	1550	57.5	41.5	16.00	12.50
AC19B60B21S	CPLC100C20MP13C	21.0	CF/CM/CU60D	1	1100	46.0	31.8	16.25	22.85
AC19B60B21S	CPLC100C20MP13C	21.0	CF/CM/CU60D	2	1625	58.0	42.5	16.25	12.50
AC19B60B21S	CPLC100C20MP13C	21.0	CF/CM64D	1	1050	45.5	31.2	16.25	22.90
AC19B60B21S	CPLC100C20MP13C	21.0	CF/CM64D	2	1550	58.5	42.0	16.25	12.75
AC19B60B21S	CPLC100C20MP13C	21.0	XAF/XAUC60G	1	1225	47.0	31.0	15.75	22.80
AC19B60B21S	CPLC100C20MP13C	21.0	XAF/XAUC60G	2	1775	55.5	40.5	—	11.75
AC19B60B21S	CPLC100C20MP13C	24.5	XAF/XAUD60G	1	1225	47.0	31.0	15.75	22.80
AC19B60B21S	CPLC100C20MP13C	24.5	XAF/XAUD60G	2	1775	56.0	40.0	—	11.75

SYSTEM CAPACITY - With High Efficiency Motor Furnaces¹ (Continued)

UNIT MODEL	FURNACE MODEL	WIDTH	COIL MODEL ²	STAGE	COOLING				
					RATED CFM	NET MBH		SEER	EER
						TOTAL	SENS.		
AC19B60B21S	CPLC100C20MP13C	24.5	XAF/XAUD60H	1	1225	47.5	31.6	15.75	22.85
AC19B60B21S	CPLC100C20MP13C	24.5	XAF/XAUD60H	2	1775	57.0	40.5	—	12.00
AC19B60B21S	CPLC100C20MP13C	21.0	XAFC60H	1	1225	47.5	31.6	16.00	22.95
AC19B60B21S	CPLC100C20MP13C	21.0	XAFC60H	2	1775	56.5	40.5	—	12.00
AC19B60B21S	CPLC100C20MP13C	24.5	XAFD60J	1	1075	46.5	29.6	16.00	23.05
AC19B60B21S	CPLC100C20MP13C	24.5	XAFD60J	2	1550	57.0	38.0	—	12.25
AC19B60B21S	CPLC100C20MP13C	21.0	XAHC60G	1	1075	46.0	29.4	15.75	23.05
AC19B60B21S	CPLC100C20MP13C	21.0	XAHC60G	2	1550	54.5	37.8	—	12.00
AC19B60B21S	CPLC100C20MP13C	21.0	XAHC60H	1	1075	46.5	29.8	16.00	23.20
AC19B60B21S	CPLC100C20MP13C	21.0	XAHC60H	2	1550	56.0	38.5	—	12.50
AC19B60B21S	CPLC100C20MP13C	24.5	XAHD60H	1	1225	47.5	31.6	15.75	22.90
AC19B60B21S	CPLC100C20MP13C	24.5	XAHD60H	2	1775	57.0	40.5	—	12.00
AC19B60B21S	CPLC120C20MP13C	21.0	CF/CM/CU60C	1	1075	45.5	31.6	16.00	22.60
AC19B60B21S	CPLC120C20MP13C	21.0	CF/CM/CU60C	2	1550	57.5	41.5	16.00	12.50
AC19B60B21S	CPLC120C20MP13C	21.0	CF/CM/CU60D	1	1100	46.0	31.8	16.25	22.85
AC19B60B21S	CPLC120C20MP13C	21.0	CF/CM/CU60D	2	1625	58.0	42.5	16.25	12.50
AC19B60B21S	CPLC120C20MP13C	21.0	CF/CM64D	1	1050	45.5	31.2	16.25	22.90
AC19B60B21S	CPLC120C20MP13C	21.0	CF/CM64D	2	1550	58.5	42.0	16.25	12.75
AC19B60B21S	CPLC120C20MP13C	21.0	XAF/XAUC60G	1	1225	47.0	31.0	15.75	22.80
AC19B60B21S	CPLC120C20MP13C	21.0	XAF/XAUC60G	2	1775	55.5	40.5	—	11.75
AC19B60B21S	CPLC120C20MP13C	24.5	XAF/XAUD60G	1	1225	47.0	31.0	15.75	22.80
AC19B60B21S	CPLC120C20MP13C	24.5	XAF/XAUD60G	2	1775	56.0	40.0	—	11.75
AC19B60B21S	CPLC120C20MP13C	24.5	XAF/XAUD60H	1	1225	47.5	31.6	15.75	22.85
AC19B60B21S	CPLC120C20MP13C	24.5	XAF/XAUD60H	2	1775	57.0	40.5	—	12.00
AC19B60B21S	CPLC120C20MP13C	21.0	XAFC60H	1	1225	47.5	31.6	16.00	22.95
AC19B60B21S	CPLC120C20MP13C	21.0	XAFC60H	2	1775	56.5	40.5	—	12.00
AC19B60B21S	CPLC120C20MP13C	24.5	XAFD60J	1	1075	46.5	29.6	16.00	23.05
AC19B60B21S	CPLC120C20MP13C	24.5	XAFD60J	2	1550	57.0	38.0	—	12.25
AC19B60B21S	CPLC120C20MP13C	21.0	XAHC60G	1	1075	46.0	29.4	15.75	23.05
AC19B60B21S	CPLC120C20MP13C	21.0	XAHC60G	2	1550	54.5	37.8	—	12.00
AC19B60B21S	CPLC120C20MP13C	21.0	XAHC60H	1	1075	46.5	29.8	16.00	23.20
AC19B60B21S	CPLC120C20MP13C	21.0	XAHC60H	2	1550	56.0	38.5	—	12.50
AC19B60B21S	CPLC120C20MP13C	24.5	XAHD60H	1	1225	47.5	31.6	15.75	22.90
AC19B60B21S	CPLC120C20MP13C	24.5	XAHD60H	2	1775	57.0	40.5	—	12.00

For rated condition information, see the footnotes below the System Capacity - With Air Handlers table.

- High Efficiency Motor Furnaces have B.O.D (Blower Off Delay) standard.
- CM coils available with a factory installed horizontal drain pan. See price pages for specific model number. PSC furnaces use coil only ratings.

APPLICATIONS AND ACCESSORIES

Refer to Price Manual for specific model numbers.

Standard Application Limits*		
Maximum Lineset Equivalent Length		80 Ft
Outdoor Ambient Temperature Limits		
Cooling Operation	Maximum DB	125°F
	Minimum DB	35°F

* For Low Ambient and/or Long Lineset Applications, please see the accessories listed below.

Non-Standard Lineset Applications - For installations with reduced diameter or long linesets, refer to the current version of the Piping Application Guide P/N 247077, available in the Application Bulletins section on www.simplygettingthejobdone.com.

Start Assist Kit S1-2SA067**:** Provides increased compressor starting torque for areas with low supply voltage. Required for all units when applied with long linesets. See Price Pages or Source1 SmartSearch for the correct kit for each application.

Compressor Crankcase Heater Kit (S1-325-**,***):** A wrap-around electrical resistance heater that warms the compressor sump, reducing the chance of liquid slugging on startup. Required on all long lineset applications. See Price Pages or Source1 SmartSearch for the correct part for each application.

Support Feet S1-HPRKIT:** Kit of 5 support feet to raise unit above snow or landscaping. Available in heights of 3", 6" or 12".

Anchor Bracket Ground Mount Kit S1-1HK0701: Firmly anchors unit to pad or support structure. When properly installed, approved for ground-mounted applications.

Anchor Bracket Roof Mount Kit S1-1HK0901: Firmly anchors unit to pad or support structure. When properly installed, approved for roof-mounted applications.

Indoor TXV Kit S1-1TVM*:** Thermal expansion valves precisely meter refrigerant for optimum performance over a wide range of conditions. See System Charge Table and Price Pages for TXV part number for each AC and HP model.

Wall Mount Kit (S1-ACB-):** Includes two brackets to allow outdoor unit to be securely mounted to a vertical wall. Mounting hardware is field sourced according to the specific application.

Winter Cover Kit S1-CCVRE*:** Custom fit winter cover protects AC condensing unit from debris during the off-season. Must be removed prior to unit operation. See Price Pages for the correct cover for each application.

Cold Weather Charging Tent S1-CHGTENT01: Provides warm environment to accurately service AC and HP systems in ambient conditions 55°F (13°C) or colder.

Touch-up Paint S1-5130153**:** Color matched aerosol paint for touching up unit chassis and panels. See Price Pages or Source1 SmartSearch for the correct color for each application.

Thermostat: Compatible thermostat controls are available through accessory sourcing. For optimum performance, these outdoor units are fully compatible with our Coleman Hx™ Touchscreen Thermostats available through Source1. For more information, see the thermostat section of the Product Equipment Catalog.

SOUND POWER RATINGS

Stage 1 Cooling	Octave Band Sound Power Level (db re. 1-pW)									
Model Number	63	125	250	500	1000	2000	4000	8000	dBA	SQI
AC19B2421S	66	67	62	65	66	59	52	47	68	19.0
AC19B3621S	66	67	70	68	65	59	57	55	69	19.1
AC19B4821S	68	69	71	71	69	61	55	53	72	19.1
AC19B6021S	71	70	75	73	69	63	58	56	74	19.2

Stage 2 Cooling	Octave Band Sound Power Level (db re. 1-pW)									
Model Number	63	125	250	500	1000	2000	4000	8000	dBA	SQI
AC19B2421S	66	67	64	64	65	56	51	49	67	19.0
AC19B3621S	66	69	72	71	71	59	55	54	73	19.1
AC19B4821S	74	72	69	69	72	62	55	54	73	19.1
AC19B6021S	68	71	73	72	69	62	57	53	74	19.2

Rated in accordance with ARI Standard 270.

MECHANICAL SPECIFICATIONS

MANUFACTURE AND CERTIFICATIONS

- Units shall be manufactured in an ISO 9001 certified facility.
- Units shall be certified by CSA to UL 1995 / CSA 22.2 and performance certified to ANSI/AHRI Standard 210/240.
- Units shall be sound tested according to ANSI/AHRI Standard 270.
- Certified matched system ratings will be available for download from the AHRI online directory at www.ahridirectory.org
- Unit packaging shall be marked, "Assembled in the USA".
- Unit shall be labeled with the ENERGY STAR logo.
- Unit shall be recognized as ENERGY STAR Most Efficient. (May apply only to select models in each series).

UNIT APPLICATION

- Units shall be approved for cooling operation between 55°F and 125°F without modification.
- Units shall be approved for linesets up to 80 feet equivalent length without modification.
- Units shall be approved for installation within 6 inches of a flat vertical wall without modification, according to the instructions in the technical literature.
- Units shall be certified to the 5th Edition (2014) of the Florida Building Code for both Ground Mounted and Rooftop Mounted applications up to 200 feet above grade with approved mounting kit.
- Units shall be designed to 74dBA or less to minimize sound pollution.

UNIT ACCESS

- Units shall have a removable fan guard that can be removed independently of the top for interior access through the top of the unit without damaging the coil.
- Units shall have two removable stamped steel coil guards for exterior coil access.
- Units shall have a separate compartment for electrical controls that can be accessed without disturbing the unit airflow.
- Units shall have a blockoff panel that can be removed to provide interior unit access through the side of the unit.
- Units shall have a removable blockoff panel and a swing away removable electrical panel that provides sufficient interior unit access for removing the compressor through the side of the unit.

UNIT CONSTRUCTION

- Units shall be shipped completely wired, piped and assembled. Wiring pigtails shall be provided for field control wiring connections. Service valves shall be provided for field refrigerant line connections.

- Units shall be factory leak checked, run tested, and shipped with a holding charge of R-410A refrigerant.
- Unit cabinet components shall be G90 equivalent steel finished with powder-coat paint rated at a minimum of 1,000 hours under ASTM B117 testing.
- Unit shall be constructed with a composite base pan to prevent corrosion and minimize noise and vibration.
- Units shall have a single corner post opposite the electrical control box and two independently removable steel coil guard panels to optimize cabinet strength and serviceability.
- Units shall have L-shaped stamped sheet metal coil guards with interior facing extrusions for superior panel stiffness and durability from hail and other mechanical impacts.
- Units shall have a factory installed filter drier for faster installation and improved system reliability.
- Unit base valves shall be mounted diagonally on the unit base pan with service ports that provide sufficient clearance for low-loss hose fittings.
- Units shall be constructed with a high pressure switch and a low pressure switch for system protection.
- Units shall be constructed with all badging and labels applied at the factory.

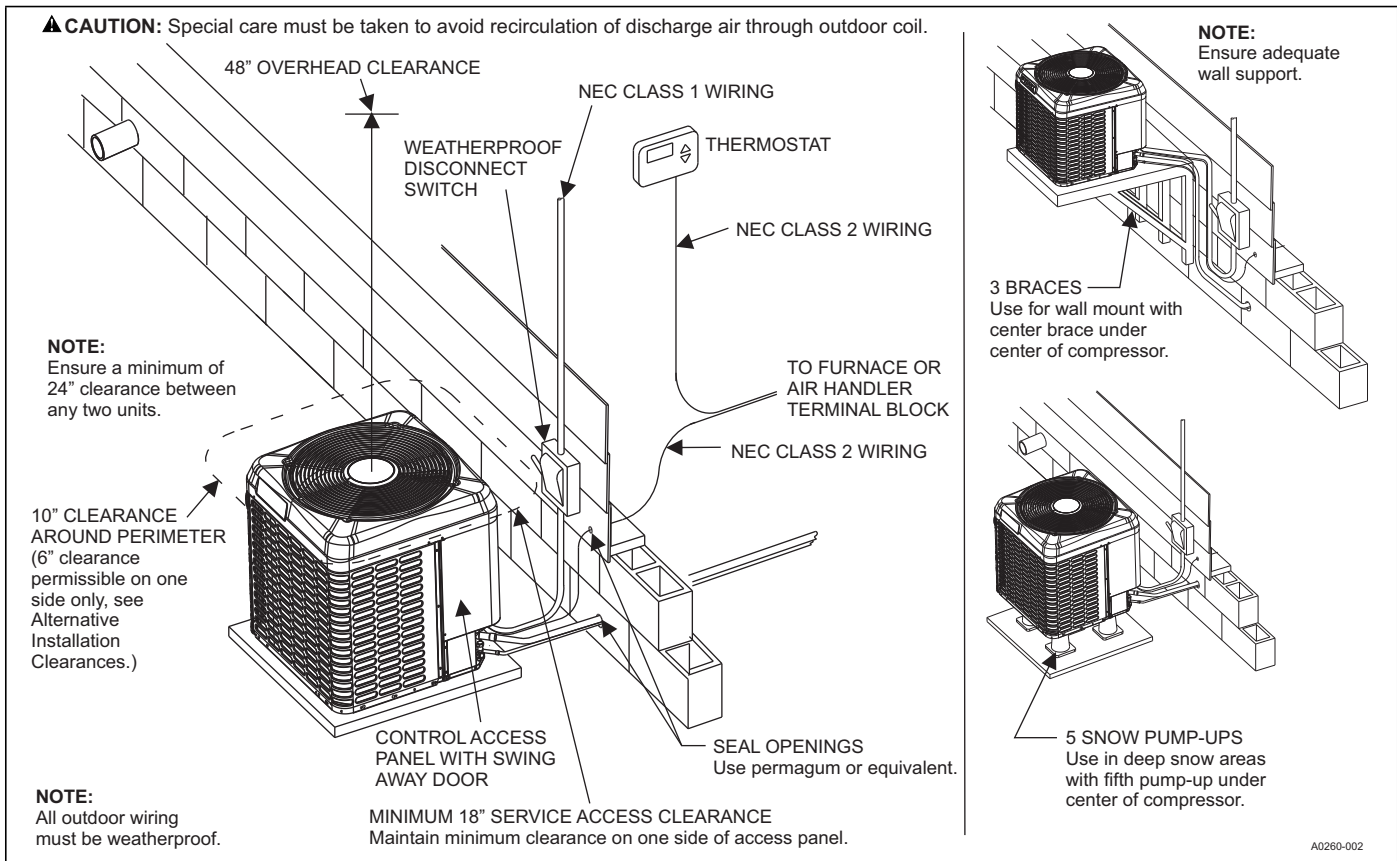
UNIT COMPONENTS

- Compressor shall be hermetic with internal electrical overload protection and internal overpressure protection.
- Compressor shall be mounted on neoprene vibration isolators that do not require the removal of transportation clips or brackets.
- Units shall be constructed with scroll compressors.
- Outdoor fan shall be direct drive with vertical air discharge for low sound levels.
- Outdoor fan blades shall be swept-wing to minimize sound. (Applies to select models).
- Outdoor fan motor shall be totally enclosed with permanently lubricated ball bearings motors approved for vertical shaft applications.
- Outdoor fan motor shall be ECM construction with permanently lubricated ball bearing motors approved for vertical shaft applications.
- Outdoor coil shall be air cooled and constructed of enhanced aluminum fins mechanically bonded to internally enhanced Ø 7mm copper tubing.

UNIT WARRANTIES

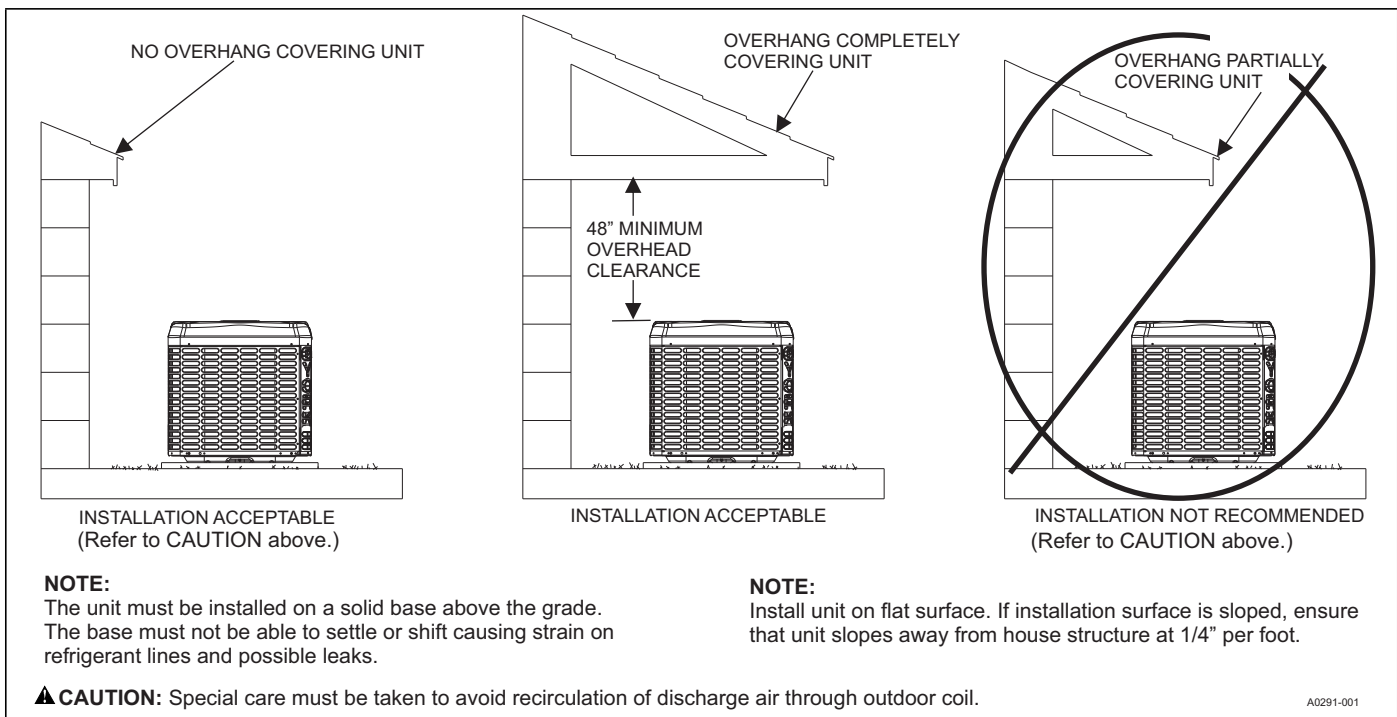
- Unit manufacturer shall provide a 10-Year compressor warranty without a requirement for unit registration.
- Unit manufacturer shall provide a Limited Lifetime compressor warranty with unit registration.

TYPICAL INSTALLATION

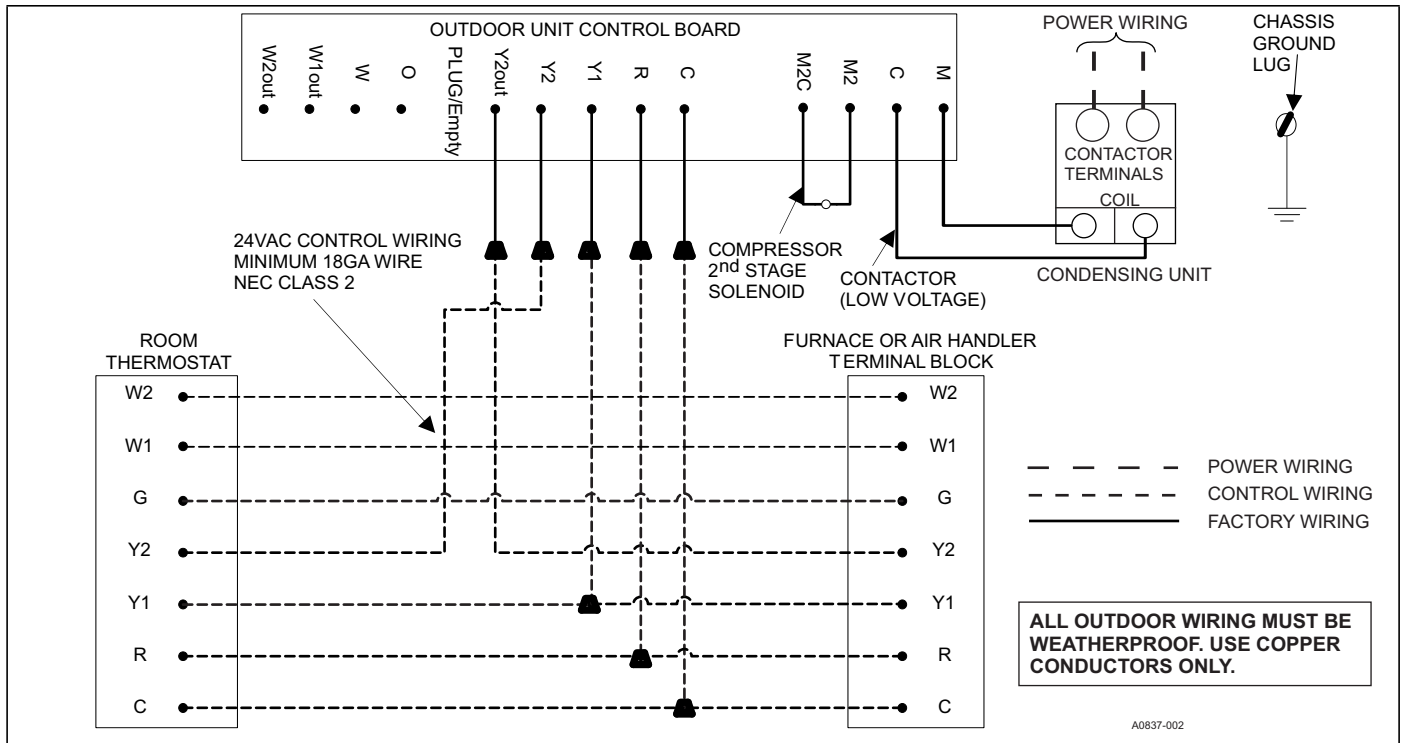


▲ CAUTION

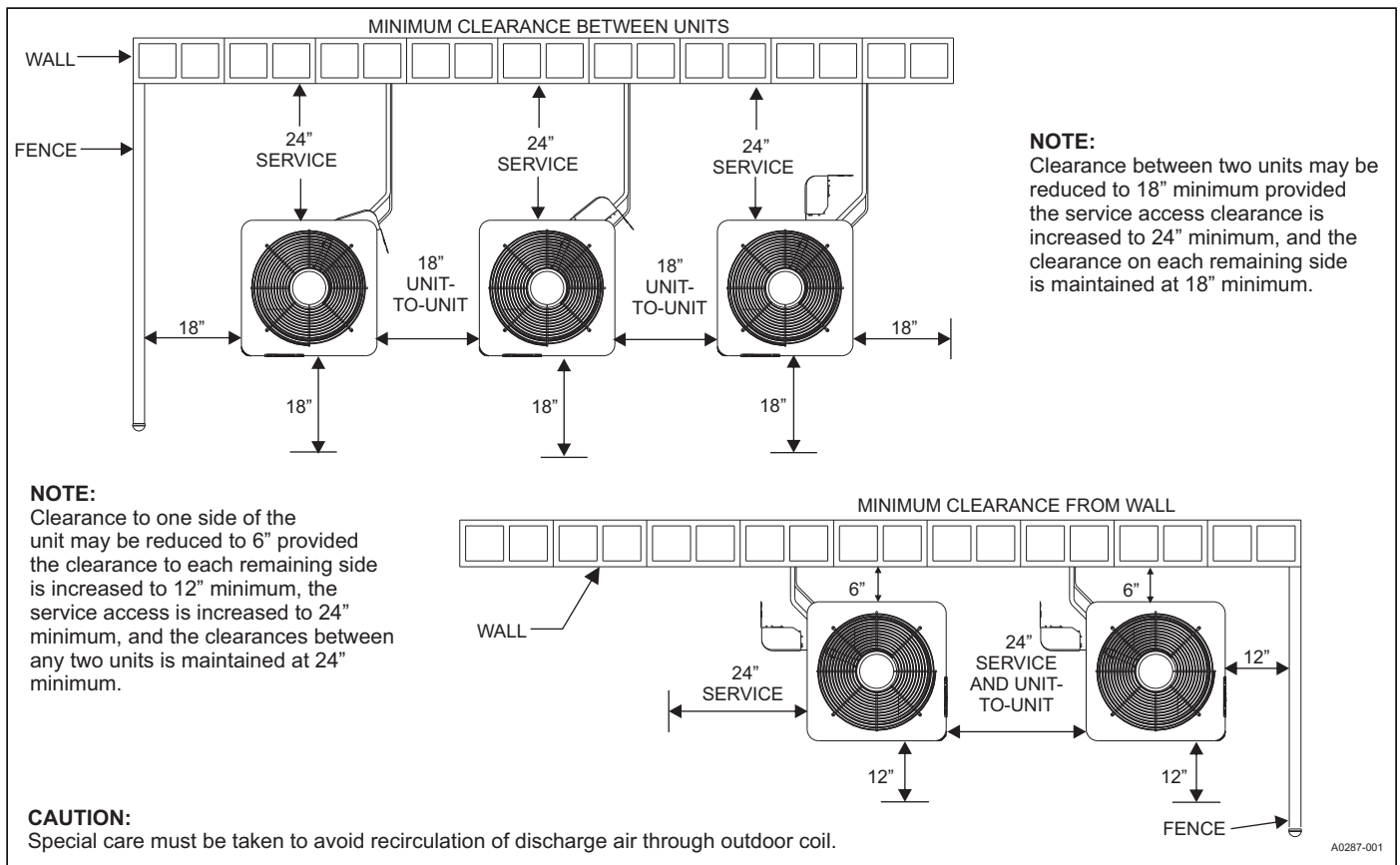
Care must be taken to prevent ice from damaging the unit. Damage may occur from ice falling onto unit from a sloped roof or from a vertical drip line due to a partial overhang.



TYPICAL FIELD WIRING



ALTERNATIVE INSTALLATION CLEARANCES



PERFORMANCE DATA - 2 TON

CONDENSER-ONLY DATA (OUTDOOR UNIT)																		
MODEL	SATURATED SUCTION AT COMPRESSOR		Outdoor Ambient Temperature															
			55 °F		65 °F		75 °F		85 °F		95 °F		105 °F		115 °F		125 °F	
	T (°F)	P (PSIG)	MBH	KW	MBH	KW	MBH	KW	MBH	KW	MBH	KW	MBH	KW	MBH	KW	MBH	KW
AC19B2421S (Stage 2)	35	107	21.6	1.26	20.6	1.39	19.5	1.53	18.4	1.68	17.3	1.86	16.1	2.06	14.8	2.29	13.5	2.56
	40	118	24.2	1.18	23.2	1.32	22.1	1.45	21.0	1.60	19.7	1.76	18.5	1.95	17.1	2.17	15.7	2.41
	45	130	26.0	1.24	24.9	1.38	23.7	1.52	22.4	1.67	21.1	1.84	19.7	2.05	18.2	2.28	16.6	2.54
	50	142	28.5	1.23	27.3	1.37	26.0	1.51	24.7	1.66	23.2	1.84	21.7	2.04	20.0	2.27	18.4	2.53
	55	156	31.2	1.22	29.9	1.36	28.5	1.50	27.0	1.65	25.5	1.82	23.8	2.03	22.1	2.26	20.3	2.52
AC19B2421S (Stage 1)	35	107	15.0	0.91	14.1	1.03	13.2	1.15	12.4	1.30	11.5	1.46	10.5	1.65	9.4	1.85	8.2	2.07
	40	118	16.6	0.89	15.6	1.00	14.7	1.13	13.8	1.28	12.8	1.44	11.8	1.62	10.7	1.83	9.4	2.05
	45	130	18.4	0.86	17.3	0.98	16.3	1.11	15.3	1.25	14.3	1.41	13.2	1.60	12.0	1.80	10.7	2.02
	50	142	20.4	0.84	19.1	0.95	18.0	1.08	16.9	1.23	15.8	1.39	14.7	1.57	13.5	1.78	12.1	1.99
	55	156	22.5	0.81	21.1	0.93	19.8	1.06	18.7	1.20	17.5	1.36	16.3	1.55	15.0	1.75	13.6	1.96

Notes:

- For Outdoor Unit (Condenser) performance only. Data does not include the effects of air handler power or heat.
- Performance based on 15°F subcooling and 15°F superheat at the Outdoor Unit base valves.
 - Increase capacity by 1% for each 2°F increase in subcooling.
 - Decrease capacity by 1% for each 2°F decrease in subcooling.
- Maximum recommended condensing temperature is 140°F.

COOLING PERFORMANCE DATA																
OUTDOOR UNIT MODEL NO.		AC19B2421S														
INDOOR COIL MODEL NO.		CF48CXA1														
AIR TEMPERATURE ENTERING OUTDOOR UNIT (°F)	ID CFM	600					800					1000				
	ID DB (°F)	80	80	75	80	80	80	80	75	80	80	80	80	75	80	80
	ID WB (°F)	57	62	62	67	72	57	62	62	67	72	57	62	62	67	72
55	T.C.	22.5	24.7	24.8	27.1	29.3	24.2	25.7	25.7	28.0	29.5	25.9	26.8	26.5	28.9	29.8
	S.C.	21.7	19.4	16.5	16.4	13.1	23.5	22.2	18.5	18.2	13.8	25.3	25.0	20.5	20.0	14.5
	KW	1.12	1.12	1.12	1.13	1.13	1.20	1.20	1.20	1.20	1.21	1.27	1.27	1.27	1.28	1.28
65	T.C.	22.0	23.9	23.8	26.2	28.7	23.7	24.9	24.7	27.1	29.2	25.4	25.9	25.6	28.0	29.7
	S.C.	21.3	19.1	16.1	16.0	12.7	23.0	21.9	18.1	17.9	13.6	24.8	24.7	20.2	19.8	14.6
	KW	1.25	1.25	1.25	1.25	1.25	1.32	1.33	1.32	1.32	1.33	1.39	1.40	1.40	1.40	1.41
75	T.C.	21.4	23.0	22.7	25.4	28.0	23.2	24.0	23.7	26.3	28.8	24.9	25.0	24.7	27.2	29.5
	S.C.	20.9	18.7	15.6	15.6	12.2	22.6	21.5	17.8	17.6	13.4	24.3	24.3	19.9	19.6	14.6
	KW	1.37	1.37	1.37	1.37	1.38	1.44	1.46	1.45	1.45	1.45	1.51	1.54	1.52	1.52	1.53
85	T.C.	20.7	22.0	21.9	24.2	26.9	22.3	23.0	22.7	25.0	27.5	24.0	23.9	23.6	25.9	28.2
	S.C.	20.1	18.2	15.3	15.2	12.1	21.7	20.8	17.3	17.3	13.2	23.4	23.3	19.3	19.4	14.3
	KW	1.53	1.53	1.53	1.53	1.53	1.60	1.61	1.60	1.60	1.61	1.67	1.69	1.67	1.68	1.68
95	T.C.	19.9	21.1	21.1	23.1	25.8	21.5	22.0	21.7	23.8	26.3	23.0	22.9	22.4	24.5	26.9
	S.C.	19.4	17.8	15.0	14.8	11.9	20.9	20.0	16.9	17.0	12.9	22.4	22.3	18.8	19.2	13.9
	KW	1.69	1.69	1.68	1.69	1.69	1.76	1.76	1.76	1.76	1.76	1.83	1.83	1.83	1.83	1.84
105	T.C.	18.9	19.9	19.9	21.8	24.3	20.4	20.7	20.5	22.5	24.9	21.8	21.5	21.1	23.2	25.5
	S.C.	18.4	17.2	14.4	14.3	11.3	19.8	19.1	16.3	16.4	12.4	21.3	21.0	18.2	18.4	13.5
	KW	1.93	1.92	1.92	1.93	1.93	2.00	2.00	2.00	2.00	2.00	2.07	2.07	2.07	2.07	2.08
115	T.C.	18.0	18.8	18.7	20.5	22.8	19.3	19.5	19.3	21.2	23.5	20.6	20.3	19.8	21.8	24.1
	S.C.	17.5	16.6	13.9	13.8	10.8	18.8	18.2	15.7	15.8	12.0	20.1	19.7	17.6	17.8	13.2
	KW	2.16	2.16	2.16	2.16	2.16	2.23	2.23	2.23	2.23	2.24	2.30	2.30	2.30	2.30	2.31
125	T.C.	17.0	17.6	17.5	19.3	21.4	18.2	18.3	18.1	19.9	22.1	19.5	19.0	18.6	20.5	22.8
	S.C.	16.5	16.1	13.3	13.3	10.2	17.7	17.3	15.2	15.2	11.5	19.0	18.5	17.0	17.1	12.8
	KW	2.39	2.39	2.39	2.39	2.39	2.46	2.46	2.46	2.46	2.47	2.53	2.53	2.54	2.53	2.55

NOTE: ALL CAPACITIES INCLUDE INDOOR FAN HEAT. KW VALUES ARE FOR THE SYSTEM (OUTDOOR + INDOOR).

Green shaded cells are ACCA (TVA) conditions.

Blue shaded cells are AHRI conditions.

Multipliers for determining the performance with other indoor sections.

NOTE: For dry bulb temperatures different than those listed (between 73-87 °F), sensible capacity increases by 1060 BTUH per 1000 CFM per degree above the listed temperature and decreases by 1060 BTUH per 1000 CFM per degree below the listed temperature.

COIL MULTIPLIERS - 2 TON

Air Handler	Coil	T.C.	S.C.	KW
—	CF/CM/CU24B	0.96	1.07	1.01
—	CF/CM/CU30B	0.98	1.07	1.02
—	CF/CM/CU36B	0.99	1.09	1.03
—	CF/CM/CU42C	1.00	1.10	1.02
—	CF/CM/CU48C	1.00	1.00	1.00
—	CF/CM/CU60C	1.01	1.10	1.03
—	CF/CM36A	0.99	0.98	0.99
—	CF/CM36C	0.99	0.98	0.99
—	CF/CM48D	1.00	0.99	1.02
—	CF/CM60D	0.99	0.98	0.99
—	XAF/XAUB36D	1.01	1.02	0.99
—	XAF/XAUC60G	1.00	1.03	1.00
—	XAF/XAUD60G	1.00	1.03	1.00
—	XAFA30D	1.01	1.02	0.99
—	XAFC36D	1.01	1.02	0.99
—	XAFD48F	1.00	1.00	1.00
—	XAHB36D	1.01	1.02	0.99
—	XAHC36D	1.01	1.02	0.99
—	XAHC48F	1.00	1.00	1.00
—	XAHC60G	1.00	1.03	1.00
—	XAHD48F	1.00	1.00	1.00
—	XAHD60G	1.00	1.03	1.00
AE24BX21	—	0.98	1.13	0.90
AE30BX21	—	0.99	1.07	0.89
AE36CX21	—	1.00	1.13	0.87
AVC24BX21	—	0.97	1.12	0.91
AVC30BX21	—	0.99	1.13	0.91
AVC36BX21	—	1.00	1.17	0.90
AVC36CX21	—	1.00	1.16	0.89
AVC42CX21	—	1.00	1.15	0.87
AVC48CX21	—	1.00	1.17	0.87
AVC48DX21	—	1.00	1.13	0.87
ME08BN21	CF/CM24B	0.97	1.08	0.89
ME08BN21	CF/CM30B	0.99	1.13	0.91
ME08BN21	CF/CM36B	1.00	1.16	0.90
ME08BN21	CF42B	1.00	1.15	0.90
ME12BN21	CF/CM24B	0.98	1.15	0.90
ME12BN21	CF/CM30B	0.99	1.13	0.89
ME12BN21	CF/CM36B	1.00	1.13	0.89
ME12BN21	CF42B	1.00	1.14	0.89
ME12CN21	CF/CM24C	0.98	1.13	0.88
MVC08BN21	CF/CM24B	0.97	1.08	0.89
MVC08BN21	CF/CM30B	0.99	1.09	0.89
MVC08BN21	CF/CM36B	1.00	1.10	0.90
MVC08BN21	CF42B	1.00	1.12	0.90
MVC12BN21	CF/CM24B	0.98	1.15	0.90
MVC12BN21	CF/CM30B	0.99	1.13	0.89
MVC12BN21	CF/CM36B	1.00	1.13	0.89
MVC12BN21	CF42B	1.00	1.14	0.89
MVC12CN21	CF/CM24C	0.98	1.15	0.88
MVC12CN21	CF/CM30C	0.99	1.13	0.88
MVC12CN21	CF/CM36C	1.00	1.13	0.87

COIL MULTIPLIERS - 2 TON (Continued)

Air Handler	Coil	T.C.	S.C.	KW
MVC12CN21	CF/CM42C	1.00	1.13	0.87
MVC12CN21	CF/CM48C	1.00	1.13	0.87
MVC12CN21	CF/CM60C	1.00	1.13	0.87
MVC14DN21	CF/CM30D	0.99	1.13	0.86
MVC14DN21	CF/CM36D	1.00	1.13	0.87
MVC14DN21	CF/CM42D	1.00	1.14	0.87
MVC14DN21	CF/CM48D	1.00	1.13	0.87
MVC14DN21	CF/CM60D	1.00	1.13	0.87
MVC16CN21	CF/CM30C	0.99	1.15	0.88
MVC16CN21	CF/CM36C	1.00	1.17	0.87
MVC16CN21	CF/CM42C	1.00	1.17	0.87
MVC16CN21	CF/CM48C	1.00	1.17	0.87
MVC16CN21	CF/CM60C	1.00	1.16	0.87

FURNACE MULTIPLIERS - 2 TON

Furnaces	Coil	T.C.	S.C.	KW
TL8E060A12UH11	CF/CM/CU24B	0.97	1.14	0.94
TL8E060A12UH11	CF/CM/CU30B	0.99	1.12	0.92
TL8E060A12UH11	CF/CM/CU36B	1.00	1.14	0.92
TL8E060A12UH11	CF42B	1.00	1.14	0.92
TL8E060A12UH11	XAF/XAUB36D	1.01	1.05	0.92
TL8E060A12UH11	XAFA30D	1.01	1.02	0.92
TL8E060A12UH11	XAHB36D	1.01	1.03	0.92
TL9E060B12UH11	CF/CM/CU24B	0.97	1.11	0.93
TL9E060B12UH11	CF/CM/CU30B	0.99	1.12	0.96
TL9E060B12UH11	CF/CM/CU36B	1.00	1.12	0.93
TL9E060B12UH11	CF/CM/CU36C	1.00	1.14	0.93
TL9E060B12UH11	CF/CM/CU42C	1.00	1.14	0.93
TL9E060B12UH11	CF/CM/CU48C	1.00	1.14	0.92
TL9E060B12UH11	CF/CM/CU60C	1.00	1.07	0.93
TL9E060B12UH11	CF/CM24C	0.97	1.14	0.94
TL9E060B12UH11	CF/CM30C	0.99	1.12	0.96
TL9E060B12UH11	CF42B	1.00	1.14	0.95
TL9E060B12UH11	XAF/XAUB36D	1.01	1.04	0.94
TL9E060B12UH11	XAF/XAUC48F	1.01	1.03	0.93
TL9E060B12UH11	XAF/XAUC60G	1.02	1.04	0.93
TL9E060B12UH11	XAFC36D	1.01	1.04	0.93
TL9E060B12UH11	XAHB36D	1.01	1.02	0.94
TL9E060B12UH11	XAHC36D	1.01	1.04	0.93
TL9E060B12UH11	XAHC48F	1.01	1.05	0.93
TL9E060B12UH11	XAHC60G	1.02	1.04	0.91
TM8E040A12MP11	CF/CM/CU24A	0.97	1.09	0.93
TM8E040A12MP11	CF/CM/CU24B	0.97	1.14	0.94
TM8E040A12MP11	CF/CM/CU30A	0.98	1.05	0.95
TM8E040A12MP11	CF/CM/CU30B	0.99	1.12	0.92
TM8E040A12MP11	CF/CM/CU36B	1.00	1.14	0.93
TM8E040A12MP11	CF/CM36A	1.00	1.11	0.93
TM8E040A12MP11	CF42B	1.00	1.14	0.93
TM8E040A12MP11	XAF/XAUB36D	1.01	1.05	0.92
TM8E040A12MP11	XAFA30D	1.01	1.02	0.92
TM8E040A12MP11	XAHB36D	1.01	1.03	0.92
TM8E060A12MP11	CF/CM/CU24B	0.97	1.14	0.94
TM8E060A12MP11	CF/CM/CU30B	0.99	1.14	0.96

FURNACE MULTIPLIERS - 2 TON (Continued)

Furnaces	Coil	T.C.	S.C.	KW
TM8E060A12MP11	CF/CM/CU36B	1.00	1.16	0.93
TM8E060A12MP11	CF/CM36A	1.00	1.12	0.93
TM8E060A12MP11	CF42B	1.00	1.14	0.93
TM8E060A12MP11	XAF/XAUB36D	1.01	1.05	0.92
TM8E060A12MP11	XAFA30D	1.01	1.02	0.92
TM8E060A12MP11	XAHB36D	1.01	1.05	0.92
TM8E080B12MP11	CF/CM/CU24B	0.95	1.06	0.93
TM8E080B12MP11	CF/CM/CU30B	0.99	1.14	0.96
TM8E080B12MP11	CF/CM/CU36B	1.00	1.16	0.93
TM8E080B12MP11	CF/CM/CU36C	1.00	1.17	0.93
TM8E080B12MP11	CF/CM/CU42C	1.00	1.17	0.93
TM8E080B12MP11	CF/CM/CU48C	1.00	1.17	0.92
TM8E080B12MP11	CF/CM/CU60C	1.00	1.14	0.93
TM8E080B12MP11	CF/CM24C	0.96	1.07	0.94
TM8E080B12MP11	CF/CM30C	0.99	1.15	0.92
TM8E080B12MP11	CF/CM50C	1.03	1.22	0.95
TM8E080B12MP11	CF42B	1.00	1.15	0.92
TM8E080B12MP11	XAF/XAUB36D	1.01	1.04	0.92
TM8E080B12MP11	XAF/XAUC48F	1.01	1.06	0.92
TM8E080B12MP11	XAF/XAUC60G	1.02	1.05	0.91
TM8E080B12MP11	XAFC36D	1.01	1.08	0.92
TM8E080B12MP11	XAHB36D	1.01	1.03	0.94
TM8E080B12MP11	XAHC36D	1.01	1.06	0.92
TM8E080B12MP11	XAHC48F	1.01	1.07	0.92
TM8E080B12MP11	XAHC60G	1.02	1.06	0.91
TM8E080C16MP11	CF/CM50C	1.04	1.25	0.94
TM8E080C16MP11	XAF/XAUC48F	1.02	1.09	0.91
TM8E080C16MP11	XAF/XAUD60G	1.02	1.05	0.90
TM8E080C16MP11	XAFC36D	1.01	1.05	0.90
TM8E080C16MP11	XAFD48F	1.02	1.05	0.91
TM8E080C16MP11	XAHC36D	1.01	1.05	0.90
TM8E080C16MP11	XAHD48F	1.02	1.05	0.91
TM8E080C16MP11	XAHD60G	1.02	1.11	0.91
TM8E100B12MP11	CF/CM/CU24B	0.97	1.10	0.94
TM8E100B12MP11	CF/CM/CU30B	0.99	1.15	0.92
TM8E100B12MP11	CF/CM/CU36B	1.00	1.17	0.92
TM8E100B12MP11	CF/CM/CU36C	1.00	1.13	0.92
TM8E100B12MP11	CF/CM/CU42C	1.00	1.18	0.92
TM8E100B12MP11	CF/CM/CU48C	1.00	1.14	0.90
TM8E100B12MP11	CF/CM/CU60C	1.00	1.09	0.92
TM8E100B12MP11	CF/CM24C	0.97	1.12	0.94
TM8E100B12MP11	CF/CM30C	0.99	1.13	0.92
TM8E100B12MP11	CF/CM50C	1.03	1.22	0.95
TM8E100B12MP11	CF42B	1.00	1.12	0.92
TM8E100B12MP11	XAF/XAUB36D	1.01	1.02	0.90
TM8E100B12MP11	XAF/XAUC48F	1.01	1.07	0.92
TM8E100B12MP11	XAF/XAUC60G	1.02	1.02	0.90
TM8E100B12MP11	XAFC36D	1.01	1.08	0.92
TM8E100B12MP11	XAHB36D	1.01	1.04	0.92
TM8E100B12MP11	XAHC36D	1.01	1.08	0.92
TM8E100B12MP11	XAHC48F	1.01	1.07	0.92
TM8E100B12MP11	XAHC60G	1.02	1.06	0.90
TM8E100C16MP11	CF/CM/CU36C	1.00	1.19	0.90
TM8E100C16MP11	CF/CM24C	0.99	1.12	0.94
TM8E100C16MP11	CF/CM30C	0.99	1.16	0.91

FURNACE MULTIPLIERS - 2 TON (Continued)

Furnaces	Coil	T.C.	S.C.	KW
TM8E100C16MP11	CF/CM50C	1.04	1.25	0.94
TM8E100C16MP11	XAF/XAUC48F	1.01	1.05	0.90
TM8E100C16MP11	XAF/XAUC60G	1.02	1.11	0.91
TM8E100C16MP11	XAF/XAUD60G	1.02	1.05	0.90
TM8E100C16MP11	XAFC36D	1.01	1.05	0.90
TM8E100C16MP11	XAFD48F	1.01	1.07	0.91
TM8E100C16MP11	XAHC36D	1.01	1.05	0.90
TM8E100C16MP11	XAHC48F	1.02	1.09	0.91
TM8E100C16MP11	XAHD48F	1.01	1.07	0.91
TM8E100C16MP11	XAHD60G	1.02	1.10	0.91
TM8E120C16MP11	CF/CM50C	1.04	1.25	0.94
TM8E120C16MP11	XAF/XAUC48F	1.02	1.09	0.91
TM8E120C16MP11	XAF/XAUD60G	1.02	1.05	0.90
TM8E120C16MP11	XAFC36D	1.01	1.05	0.90
TM8E120C16MP11	XAFD48F	1.02	1.04	0.90
TM8E120C16MP11	XAHC36D	1.01	1.05	0.90
TM8E120C16MP11	XAHD48F	1.02	1.04	0.90
TM8E120C16MP11	XAHD60G	1.02	1.11	0.91
TM8V060A12MP11C	CF/CM/CU24A	0.96	1.03	0.91
TM8V060A12MP11C	CF/CM/CU30A	0.99	1.13	0.96
TM8V060A12MP11C	CF/CM36A	1.00	1.10	0.93
TM8V080B12MP11C	CF/CM/CU24B	0.97	1.09	0.93
TM8V080B12MP11C	CF/CM/CU30B	0.99	1.11	0.94
TM8V080B12MP11C	CF/CM/CU36B	1.00	1.11	0.93
TM8V080B12MP11C	CF42B	1.00	1.15	0.95
TM8V080B12MP12C	CF42B	1.00	1.15	0.95
TM8V080B12MP12C	XAF/XAUB36D	1.01	1.06	0.95
TM8V080B12MP12C	XAF/XAUC48F	1.02	1.04	0.94
TM8V080B12MP12C	XAF/XAUC60G	1.02	1.04	0.93
TM8V080B12MP12C	XAFC36D	1.01	1.07	0.95
TM8V080B12MP12C	XAHB36D	1.01	1.03	0.95
TM8V080B12MP12C	XAHC36D	1.01	1.04	0.93
TM8V080B12MP12C	XAHC48F	1.02	1.02	0.94
TM8V080B12MP12C	XAHC60G	1.02	1.04	0.93
TM8V080C16MP12C	XAF/XAUC60G	1.02	1.04	0.90
TM8V080C16MP12C	XAHC48F	1.01	1.02	0.89
TM8V080C16MP12C	XAHC60G	1.02	1.06	0.90
TM8V100C16MP11C	CF/CM/CU36C	1.00	1.14	0.90
TM8V100C16MP11C	CF/CM/CU42C	1.00	1.14	0.90
TM8V100C16MP11C	CF/CM/CU48C	1.00	1.13	0.89
TM8V100C16MP11C	CF/CM/CU60C	1.00	1.13	0.89
TM8V100C16MP11C	CF/CM24C	0.99	1.13	0.89
TM8V100C16MP11C	CF/CM42D	0.98	1.15	0.92
TM8V100C16MP12C	XAF/XAUC60G	1.02	1.04	0.90
TM8V100C16MP12C	XAHC48F	1.01	1.02	0.89
TM8V100C16MP12C	XAHC60G	1.02	1.06	0.90
TM8X060A12MP11	CF/CM/CU24A	0.96	1.04	0.92
TM8X060A12MP11	CF/CM/CU24B	0.96	1.03	0.91
TM8X060A12MP11	CF/CM/CU30A	0.98	1.06	0.93
TM8X060A12MP11	CF/CM/CU30B	1.00	1.06	0.93
TM8X060A12MP11	CF/CM/CU36B	1.00	1.08	0.93
TM8X060A12MP11	CF/CM36A	1.00	1.11	0.95
TM8X060A12MP11	CF42B	1.01	1.06	0.92
TM8X080B12MP11	CF/CM/CU24B	0.99	1.09	0.92
TM8X080B12MP11	CF/CM/CU30B	1.01	1.11	0.92

FURNACE MULTIPLIERS - 2 TON (Continued)

Furnaces	Coil	T.C.	S.C.	KW
TM8X080B12MP11	CF/CM/CU36B	1.01	1.11	0.92
TM8X080B12MP11	CF/CM/CU36C	1.00	1.13	0.92
TM8X080B12MP11	CF/CM/CU42C	1.00	1.14	0.92
TM8X080B12MP11	CF/CM/CU48C	1.01	1.11	0.89
TM8X080B12MP11	CF/CM/CU60C	1.00	1.09	0.92
TM8X080B12MP11	CF/CM24C	0.97	1.12	0.92
TM8X080B12MP11	CF/CM30C	0.99	1.13	0.92
TM8X080B12MP11	CF/CM50C	1.01	1.15	0.91
TM8X080B12MP11	CF42B	1.01	1.09	0.92
TM8Y060A12MP11	CF/CM/CU24A	0.96	1.04	0.92
TM8Y060A12MP11	CF/CM/CU24B	0.96	1.03	0.91
TM8Y060A12MP11	CF/CM/CU30A	0.98	1.06	0.93
TM8Y060A12MP11	CF/CM/CU30B	1.00	1.06	0.93
TM8Y060A12MP11	CF/CM/CU36B	1.00	1.08	0.93
TM8Y060A12MP11	CF/CM36A	1.00	1.11	0.95
TM8Y060A12MP11	CF42B	1.01	1.06	0.92
TM8Y060A12MP11	XAF/XAUB36D	1.01	1.09	0.94
TM8Y060A12MP11	XAFA30D	1.01	1.05	0.95
TM8Y060A12MP11	XAHB36D	1.01	1.07	0.95
TM8Y080B12MP11	CF/CM/CU24B	0.99	1.09	0.92
TM8Y080B12MP11	CF/CM/CU30B	1.01	1.11	0.92
TM8Y080B12MP11	CF/CM/CU36B	1.01	1.11	0.92
TM8Y080B12MP11	CF/CM/CU36C	1.00	1.13	0.92
TM8Y080B12MP11	CF/CM/CU42C	1.00	1.14	0.92
TM8Y080B12MP11	CF/CM/CU48C	1.01	1.11	0.89
TM8Y080B12MP11	CF/CM/CU60C	1.00	1.09	0.92
TM8Y080B12MP11	CF/CM24C	0.97	1.12	0.92
TM8Y080B12MP11	CF/CM30C	0.99	1.13	0.92
TM8Y080B12MP11	CF/CM50C	1.01	1.15	0.91
TM8Y080B12MP11	CF42B	1.01	1.09	0.92
TM8Y080B12MP11	XAF/XAUB36D	1.01	1.02	0.90
TM8Y080B12MP11	XAF/XAUC48F	1.02	1.00	0.91
TM8Y080B12MP11	XAF/XAUC60G	1.02	1.02	0.90
TM8Y080B12MP11	XAFC36D	1.01	1.04	0.91
TM8Y080B12MP11	XAHB36D	1.01	1.06	0.94
TM8Y080B12MP11	XAHC36D	1.01	1.10	0.94
TM8Y080B12MP11	XAHC48F	1.02	1.01	0.91
TM8Y080B12MP11	XAHC60G	1.02	1.03	0.90
TM8Y080C16MP11	XAHC36D	1.01	1.06	0.90
TM8Y100C16MP11	XAHC36D	1.01	1.06	0.90
TM9E026A08MP12	CF/CM/CU24A	0.94	1.01	0.92
TM9E026A08MP12	CF/CM/CU24B	0.95	1.03	0.93
TM9E026A08MP12	CF/CM/CU30A	0.97	1.02	0.93
TM9E026A08MP12	CF/CM/CU30B	1.01	1.15	0.98
TM9E026A08MP12	CF/CM/CU36B	0.99	1.06	0.92
TM9E026A08MP12	CF/CM36A	1.01	1.14	0.98
TM9E026A08MP12	CF42B	1.01	1.16	0.98
TM9E026A08MP12	XAF/XAUB36D	0.98	0.94	0.91
TM9E026A08MP12	XAFA30D	1.00	1.04	0.98
TM9E026A08MP12	XAHB36D	1.00	1.04	0.98
TM9E040A10MP11	CF/CM/CU24A	0.96	1.01	0.96
TM9E040A10MP11	CF/CM/CU24B	0.94	1.00	0.94
TM9E040A10MP11	CF/CM/CU30A	0.96	0.99	0.94
TM9E040A10MP11	CF/CM/CU30B	0.97	1.03	0.95
TM9E040A10MP11	CF/CM/CU36B	0.98	1.05	0.95

FURNACE MULTIPLIERS - 2 TON (Continued)

Furnaces	Coil	T.C.	S.C.	KW
TM9E040A10MP11	CF/CM36A	0.97	1.03	0.96
TM9E040A10MP11	CF42B	0.97	1.02	0.96
TM9E040A10MP12	CF/CM/CU24A	0.95	1.05	0.95
TM9E040A10MP12	CF/CM/CU24B	0.97	1.09	0.97
TM9E040A10MP12	CF/CM/CU30A	0.97	1.08	0.97
TM9E040A10MP12	CF/CM/CU30B	0.99	1.11	0.97
TM9E040A10MP12	CF/CM/CU36B	1.00	1.11	0.98
TM9E040A10MP12	CF/CM36A	1.00	1.11	0.98
TM9E040A10MP12	CF42B	1.00	1.10	0.98
TM9E040A10MP12	XAF/XAUB36D	1.01	1.02	0.94
TM9E040A10MP12	XAFA30D	1.01	1.00	0.95
TM9E040A10MP12	XAHB36D	1.00	1.00	0.95
TM9E060A10MP12	CF/CM/CU24A	0.97	1.08	0.95
TM9E060A10MP12	CF/CM/CU24B	0.97	1.09	0.95
TM9E060A10MP12	CF/CM/CU30A	0.99	1.09	0.96
TM9E060A10MP12	CF/CM/CU30B	0.99	1.14	0.96
TM9E060A10MP12	CF/CM/CU36B	1.00	1.12	0.96
TM9E060A10MP12	CF/CM36A	1.00	1.09	0.96
TM9E060A10MP12	CF42B	1.00	1.11	0.96
TM9E060A10MP12	XAF/XAUB36D	1.01	1.04	0.93
TM9E060A10MP12	XAFA30D	1.01	1.04	0.95
TM9E060A10MP12	XAHB36D	1.01	1.05	0.94
TM9E060B12MP11	CF/CM/CU24B	0.97	1.14	0.94
TM9E060B12MP11	CF/CM/CU30B	0.99	1.12	0.94
TM9E060B12MP11	CF/CM/CU36B	1.00	1.14	0.95
TM9E060B12MP11	CF/CM/CU36C	1.00	1.14	0.93
TM9E060B12MP11	CF/CM/CU42C	1.00	1.14	0.93
TM9E060B12MP11	CF/CM/CU48C	1.00	1.16	0.93
TM9E060B12MP11	CF/CM/CU60C	1.00	1.07	0.95
TM9E060B12MP11	CF/CM24C	0.97	1.14	0.94
TM9E060B12MP11	CF/CM30C	0.99	1.12	0.94
TM9E060B12MP11	CF/CM50C	1.01	1.16	0.94
TM9E060B12MP11	CF42B	1.00	1.14	0.95
TM9E060B12MP12	CF/CM/CU24B	0.97	1.10	0.99
TM9E060B12MP12	CF/CM/CU30B	0.99	1.17	0.96
TM9E060B12MP12	CF/CM/CU36B	1.00	1.19	0.96
TM9E060B12MP12	CF/CM50C	1.03	1.25	1.00
TM9E060B12MP12	CF42B	1.00	1.17	0.96
TM9E060B12MP12	XAF/XAUB36D	1.01	1.06	0.95
TM9E060B12MP12	XAF/XAUC48F	1.02	1.05	0.96
TM9E060B12MP12	XAF/XAUC60G	1.02	1.06	0.94
TM9E060B12MP12	XAFC36D	1.01	1.08	0.95
TM9E060B12MP12	XAHB36D	1.01	1.06	0.97
TM9E060B12MP12	XAHC36D	1.01	1.08	0.95
TM9E060B12MP12	XAHC48F	1.02	1.05	0.94
TM9E080B12MP11	CF/CM/CU24B	0.95	1.06	0.93
TM9E080B12MP11	CF/CM/CU30B	0.99	1.14	0.92
TM9E080B12MP11	CF/CM/CU36B	1.00	1.16	0.93
TM9E080B12MP11	CF/CM/CU36C	1.00	1.17	0.92
TM9E080B12MP11	CF/CM/CU42C	1.00	1.17	0.92
TM9E080B12MP11	CF/CM/CU48C	1.00	1.17	0.92
TM9E080B12MP11	CF/CM/CU60C	1.00	1.14	0.92
TM9E080B12MP11	CF/CM24C	0.97	1.08	0.95
TM9E080B12MP11	CF/CM30C	0.99	1.15	0.92
TM9E080B12MP11	CF/CM50C	1.01	1.18	0.94

FURNACE MULTIPLIERS - 2 TON (Continued)

Furnaces	Coil	T.C.	S.C.	KW
TM9E080B12MP11	CF42B	1.00	1.14	0.93
TM9E080B12MP12	CF/CM/CU24B	0.98	1.11	0.97
TM9E080B12MP12	CF/CM/CU30B	0.99	1.18	0.96
TM9E080B12MP12	CF/CM/CU36B	1.00	1.19	0.93
TM9E080B12MP12	CF/CM50C	1.03	1.25	0.96
TM9E080B12MP12	CF42B	1.00	1.18	0.93
TM9E080B12MP12	XAF/XAUB36D	1.01	1.06	0.94
TM9E080B12MP12	XAF/XAUC48F	1.02	1.05	0.93
TM9E080B12MP12	XAFC36D	1.01	1.09	0.94
TM9E080B12MP12	XAHB36D	1.01	1.05	0.94
TM9E080B12MP12	XAHC36D	1.01	1.09	0.94
TM9E080C16MP12	CF/CM/CU36C	1.00	1.16	0.92
TM9E080C16MP12	CF/CM/CU42C	1.00	1.15	0.90
TM9E080C16MP12	CF/CM/CU48C	1.00	1.17	0.90
TM9E080C16MP12	CF/CM/CU48D	1.00	1.17	0.90
TM9E080C16MP12	CF/CM/CU60C	1.00	1.12	0.92
TM9E080C16MP12	CF/CM/CU60D	1.00	1.14	0.92
TM9E080C16MP12	CF/CM24C	0.95	1.06	0.92
TM9E080C16MP12	CF/CM30C	0.99	1.14	0.91
TM9E080C16MP12	CF/CM36D	1.00	1.17	0.92
TM9E080C16MP12	CF/CM42D	1.00	1.17	0.92
TM9E080C16MP12	CF/CM50C	1.01	1.18	0.92
TM9E080C16MP12	XAF/XAUC48F	1.01	1.02	0.90
TM9E080C16MP12	XAF/XAUC60G	1.02	1.05	0.90
TM9E080C16MP12	XAF/XAUD60G	1.02	1.04	0.90
TM9E080C16MP12	XAFC36D	1.01	1.04	0.90
TM9E080C16MP12	XAFD48F	1.01	1.04	0.91
TM9E080C16MP12	XAHC36D	1.01	1.03	0.92
TM9E080C16MP12	XAHC48F	1.01	1.04	0.90
TM9E080C16MP12	XAHD48F	1.01	1.04	0.91
TM9E080C16MP12	XAHD60G	1.02	1.07	0.91
TM9E100C16MP12	CF/CM/CU36C	1.00	1.19	0.92
TM9E100C16MP12	CF/CM/CU42C	1.00	1.18	0.90
TM9E100C16MP12	CF/CM/CU48C	1.00	1.17	0.90
TM9E100C16MP12	CF/CM/CU60C	1.00	1.11	0.90
TM9E100C16MP12	CF/CM24C	0.99	1.12	0.96
TM9E100C16MP12	CF/CM30C	0.99	1.18	0.91
TM9E100C16MP12	CF/CM50C	1.04	1.25	0.95
TM9E100C16MP12	XAF/XAUC48F	1.01	1.05	0.90
TM9E100C16MP12	XAF/XAUC60G	1.02	1.06	0.90
TM9E100C16MP12	XAF/XAUD60G	1.02	1.06	0.90
TM9E100C16MP12	XAFC36D	1.01	1.05	0.90
TM9E100C16MP12	XAFD48F	1.01	1.07	0.92
TM9E100C16MP12	XAHC36D	1.01	1.05	0.90
TM9E100C16MP12	XAHC48F	1.02	1.09	0.91
TM9E100C16MP12	XAHD48F	1.01	1.07	0.92
TM9E100C16MP12	XAHD60G	1.02	1.10	0.92
TM9V040A10MP12C	CF/CM/CU24A	0.95	0.96	0.93
TM9V040A10MP12C	CF/CM/CU24B	0.96	0.97	0.92
TM9V040A10MP12C	CF/CM/CU30A	0.97	0.98	0.93
TM9V040A10MP12C	CF/CM/CU30B	0.97	0.99	0.92
TM9V040A10MP12C	CF/CM/CU36B	0.97	1.00	0.92
TM9V040A10MP12C	CF/CM36A	0.97	1.00	0.94
TM9V040A10MP12C	CF42B	0.97	0.99	0.92
TM9V040A10MP12C	XAF/XAUB36D	1.00	1.00	0.94

FURNACE MULTIPLIERS - 2 TON (Continued)

Furnaces	Coil	T.C.	S.C.	KW
TM9V040A10MP12C	XAFA30D	1.01	1.00	0.95
TM9V040A10MP12C	XAHB36D	1.00	1.00	0.95
TM9V060B12MP11C	CF/CM/CU24B	0.97	1.14	0.94
TM9V060B12MP11C	CF/CM/CU30B	0.99	1.14	0.94
TM9V060B12MP11C	CF/CM/CU36B	1.00	1.14	0.93
TM9V060B12MP11C	CF42B	1.00	1.14	0.95
TM9V060B12MP12C	CF/CM/CU24B	0.97	1.14	0.94
TM9V060B12MP12C	XAF/XAUB36D	1.01	1.05	0.94
TM9V060B12MP12C	XAF/XAUC48F	1.02	1.02	0.94
TM9V060B12MP12C	XAF/XAUC60G	1.02	1.04	0.93
TM9V060B12MP12C	XAFC36D	1.01	1.06	0.94
TM9V060B12MP12C	XAHB36D	1.01	1.05	0.95
TM9V060B12MP12C	XAHC36D	1.01	1.06	0.94
TM9V060B12MP12C	XAHC48F	1.01	1.05	0.93
TM9V060B12MP12C	XAHC60G	1.02	1.02	0.91
TM9V080B12MP11C	CF/CM/CU24B	0.97	1.12	0.92
TM9V080B12MP11C	CF/CM/CU30B	0.99	1.12	0.92
TM9V080B12MP11C	CF/CM/CU36B	1.00	1.12	0.92
TM9V080B12MP11C	CF42B	1.00	1.14	0.93
TM9V080B12MP12C	XAF/XAUB36D	1.01	1.04	0.92
TM9V080B12MP12C	XAF/XAUC48F	1.02	1.05	0.94
TM9V080B12MP12C	XAF/XAUC60G	1.02	1.02	0.91
TM9V080B12MP12C	XAFC36D	1.01	1.02	0.91
TM9V080B12MP12C	XAHB36D	1.01	1.01	0.92
TM9V080B12MP12C	XAHC36D	1.01	1.02	0.91
TM9V080B12MP12C	XAHC48F	1.02	1.01	0.91
TM9V080B12MP12C	XAHC60G	1.02	1.02	0.90
TM9V080C16MP11C	CF/CM/CU36C	1.00	1.19	0.92
TM9V080C16MP11C	CF/CM/CU42C	1.00	1.18	0.92
TM9V080C16MP11C	CF/CM/CU48C	1.00	1.17	0.90
TM9V080C16MP11C	CF/CM/CU48D	1.00	1.17	0.92
TM9V080C16MP11C	CF/CM/CU60C	1.00	1.11	0.92
TM9V080C16MP11C	CF/CM/CU60D	1.00	1.11	0.92
TM9V080C16MP11C	CF/CM30C	0.99	1.18	0.92
TM9V080C16MP11C	CF/CM36D	1.00	1.19	0.92
TM9V080C16MP11C	CF/CM42D	1.00	1.18	0.92
TM9V080C16MP12C	CF/CM/CU36C	1.00	1.19	0.92
TM9V080C16MP12C	CF/CM/CU42C	1.00	1.18	0.92
TM9V080C16MP12C	CF/CM/CU48C	1.00	1.17	0.90
TM9V080C16MP12C	CF/CM/CU48D	1.00	1.17	0.92
TM9V080C16MP12C	CF/CM/CU60C	1.00	1.11	0.92
TM9V080C16MP12C	CF/CM/CU60D	1.00	1.11	0.92
TM9V080C16MP12C	CF/CM30C	0.99	1.18	0.92
TM9V080C16MP12C	CF/CM36D	1.00	1.19	0.92
TM9V080C16MP12C	CF/CM42D	1.00	1.18	0.92
TM9V080C16MP12C	XAHC60G	1.02	1.06	0.90
TM9V100C16MP11C	CF/CM/CU36C	1.00	1.16	0.90
TM9V100C16MP11C	CF/CM/CU42C	1.00	1.15	0.90
TM9V100C16MP11C	CF/CM/CU48C	1.00	1.15	0.89
TM9V100C16MP11C	CF/CM24C	0.99	1.14	0.91
TM9V100C16MP11C	CF/CM30C	0.99	1.14	0.91
TM9V100C16MP12C	CF/CM/CU30C	0.99	1.13	0.91
TM9V100C16MP12C	CF/CM/CU36C	1.00	1.16	0.90
TM9V100C16MP12C	CF/CM/CU42C	1.00	1.15	0.90
TM9V100C16MP12C	CF/CM/CU48C	1.00	1.15	0.89

FURNACE MULTIPLIERS - 2 TON (Continued)

Furnaces	Coil	T.C.	S.C.	KW
TM9V100C16MP12C	XAF/XAUC48F	1.01	1.04	0.90
TM9V100C16MP12C	XAF/XAUC60G	1.02	1.05	0.90
TM9V100C16MP12C	XAF/XAUD60G	1.02	1.04	0.90
TM9V100C16MP12C	XAFC36D	1.01	1.05	0.90
TM9V100C16MP12C	XAFD48F	1.01	1.06	0.91
TM9V100C16MP12C	XAHC36D	1.01	1.05	0.90
TM9V100C16MP12C	XAHC48F	1.01	1.04	0.89
TM9V100C16MP12C	XAHC60G	1.02	1.04	0.90
TM9V100C16MP12C	XAHD48F	1.01	1.06	0.91
TM9V100C16MP12C	XAHD60G	1.02	1.08	0.91
TM9Y040A10MP11	CF/CM/CU24A	0.96	1.01	0.96
TM9Y040A10MP11	CF/CM/CU24B	0.94	1.00	0.94
TM9Y040A10MP11	CF/CM/CU30A	0.96	0.99	0.94
TM9Y040A10MP11	CF/CM/CU30B	0.97	1.03	0.95
TM9Y040A10MP11	CF/CM/CU36B	0.98	1.05	0.95
TM9Y040A10MP11	CF/CM36A	0.97	1.03	0.96
TM9Y040A10MP11	CF42B	0.97	1.02	0.96
TM9Y040A10MP11	XAF/XAUB36D	1.00	1.02	0.96
TM9Y040A10MP11	XAFA30D	0.98	0.92	0.93
TM9Y040A10MP11	XAHB36D	0.98	0.94	0.93
TM9Y060B12MP11	CF/CM/CU24B	0.97	1.14	0.94
TM9Y060B12MP11	CF/CM/CU30B	0.99	1.12	0.94
TM9Y060B12MP11	CF/CM/CU36B	1.00	1.14	0.95
TM9Y060B12MP11	CF/CM/CU36C	1.00	1.14	0.93
TM9Y060B12MP11	CF/CM/CU42C	1.00	1.14	0.93
TM9Y060B12MP11	CF/CM/CU48C	1.00	1.16	0.93
TM9Y060B12MP11	CF/CM/CU60C	1.00	1.07	0.95
TM9Y060B12MP11	CF/CM24C	0.97	1.14	0.94
TM9Y060B12MP11	CF/CM30C	0.99	1.12	0.94
TM9Y060B12MP11	CF/CM50C	1.01	1.16	0.94
TM9Y060B12MP11	CF42B	1.00	1.14	0.95
TM9Y060B12MP11	XAF/XAUB36D	1.01	1.08	0.95
TM9Y060B12MP11	XAF/XAUC48F	1.02	1.02	0.94
TM9Y060B12MP11	XAF/XAUC60G	1.02	1.04	0.93
TM9Y060B12MP11	XAFC36D	1.01	1.04	0.93
TM9Y060B12MP11	XAHB36D	1.01	1.02	0.94
TM9Y060B12MP11	XAHC36D	1.01	1.11	0.96
TM9Y060B12MP11	XAHC48F	1.01	1.05	0.93
TM9Y060B12MP11	XAHC60G	1.02	1.04	0.93
TM9Y080B12MP11	CF/CM/CU24B	0.95	1.06	0.93
TM9Y080B12MP11	CF/CM/CU30B	0.99	1.14	0.92
TM9Y080B12MP11	CF/CM/CU36B	1.00	1.16	0.93
TM9Y080B12MP11	CF/CM/CU36C	1.00	1.17	0.92
TM9Y080B12MP11	CF/CM/CU42C	1.00	1.17	0.92
TM9Y080B12MP11	CF/CM/CU48C	1.00	1.17	0.92
TM9Y080B12MP11	CF/CM/CU60C	1.00	1.14	0.92
TM9Y080B12MP11	CF/CM24C	0.97	1.08	0.95
TM9Y080B12MP11	CF/CM30C	0.99	1.15	0.92
TM9Y080B12MP11	CF/CM50C	1.01	1.18	0.94
TM9Y080B12MP11	CF42B	1.00	1.14	0.93
TM9Y080B12MP11	XAF/XAUB36D	1.01	1.04	0.94
TM9Y080B12MP11	XAF/XAUC48F	1.02	1.03	0.93
TM9Y080B12MP11	XAF/XAUC60G	1.02	1.05	0.91
TM9Y080B12MP11	XAFC36D	1.01	1.08	0.93
TM9Y080B12MP11	XAHB36D	1.01	1.04	0.94

FURNACE MULTIPLIERS - 2 TON (Continued)

Furnaces	Coil	T.C.	S.C.	KW
TM9Y080B12MP11	XAHC36D	1.01	1.06	0.93
TM9Y080B12MP11	XAHC48F	1.02	1.04	0.93
TM9Y080B12MP11	XAHC60G	1.02	1.06	0.91
TM9Y080C16MP11	XAFC36D	1.01	1.07	0.92
TM9Y080C16MP11	XAHC36D	1.01	1.07	0.92
TM9Y100C16MP11	XAFC36D	1.01	1.06	0.92
TM9Y100C16MP11	XAHC36D	1.01	1.07	0.92
TMLE040A12MP11	XAF/XAUB36D	1.01	1.05	0.92
TMLE040A12MP11	XAFA30D	1.01	1.02	0.92
TMLE040A12MP11	XAHB36D	1.01	1.03	0.92
TMLE060A12MP11	XAF/XAUB36D	1.01	1.05	0.92
TMLE060A12MP11	XAFA30D	1.01	1.02	0.92
TMLE060A12MP11	XAHB36D	1.01	1.05	0.92
TMLE080B12MP11	XAF/XAUB36D	1.01	1.04	0.92
TMLE080B12MP11	XAF/XAUC48F	1.01	1.06	0.92
TMLE080B12MP11	XAF/XAUC60G	1.02	1.05	0.91
TMLE080B12MP11	XAFC36D	1.01	1.08	0.92
TMLE080B12MP11	XAHB36D	1.01	1.03	0.94
TMLE080B12MP11	XAHC36D	1.01	1.06	0.92
TMLE080B12MP11	XAHC48F	1.01	1.07	0.92
TMLE080B12MP11	XAHC60G	1.02	1.06	0.91
TMLE080C16MP11	XAF/XAUC48F	1.02	1.09	0.91
TMLE080C16MP11	XAF/XAUD60G	1.02	1.05	0.90
TMLE080C16MP11	XAFC36D	1.01	1.05	0.90
TMLE080C16MP11	XAFD48F	1.02	1.05	0.91
TMLE080C16MP11	XAHC36D	1.01	1.05	0.90
TMLE080C16MP11	XAHD48F	1.02	1.05	0.91
TMLE080C16MP11	XAHD60G	1.02	1.11	0.91
TMLE100B12MP11	XAF/XAUB36D	1.01	1.02	0.90
TMLE100B12MP11	XAF/XAUC48F	1.01	1.07	0.92
TMLE100B12MP11	XAF/XAUC60G	1.02	1.02	0.90
TMLE100B12MP11	XAFC36D	1.01	1.08	0.92
TMLE100B12MP11	XAHB36D	1.01	1.04	0.92
TMLE100B12MP11	XAHC36D	1.01	1.08	0.92
TMLE100B12MP11	XAHC48F	1.01	1.07	0.92
TMLE100B12MP11	XAHC60G	1.02	1.06	0.90
TMLE100C16MP11	XAF/XAUC48F	1.01	1.05	0.90
TMLE100C16MP11	XAF/XAUC60G	1.02	1.11	0.91
TMLE100C16MP11	XAF/XAUD60G	1.02	1.05	0.90
TMLE100C16MP11	XAFC36D	1.01	1.05	0.90
TMLE100C16MP11	XAFD48F	1.01	1.07	0.91
TMLE100C16MP11	XAHC36D	1.01	1.05	0.90
TMLE100C16MP11	XAHC48F	1.02	1.09	0.91
TMLE100C16MP11	XAHD48F	1.01	1.07	0.91
TMLE100C16MP11	XAHD60G	1.02	1.10	0.91
TMLE120C16MP11	XAF/XAUC48F	1.02	1.09	0.91
TMLE120C16MP11	XAF/XAUD60G	1.02	1.05	0.90
TMLE120C16MP11	XAFC36D	1.01	1.05	0.90
TMLE120C16MP11	XAFD48F	1.02	1.04	0.90
TMLE120C16MP11	XAHC36D	1.01	1.05	0.90
TMLE120C16MP11	XAHD48F	1.02	1.04	0.90
TMLE120C16MP11	XAHD60G	1.02	1.11	0.91
TMLV080B12MP11C	CF42B	1.00	1.15	0.95
TMLV080B12MP12C	CF42B	1.00	1.15	0.95
TMLV100C16MP12C	XAF/XAUC60G	1.02	1.04	0.90

FURNACE MULTIPLIERS - 2 TON (Continued)

Furnaces	Coil	T.C.	S.C.	KW
TMLV100C16MP12C	XAHC48F	1.01	1.02	0.89
TMLV100C16MP12C	XAHC60G	1.02	1.06	0.90
TMLX060A12MP11	CF/CM/CU24A	0.96	1.04	0.92
TMLX060A12MP11	CF/CM/CU24B	0.96	1.03	0.91
TMLX060A12MP11	CF/CM/CU30A	0.98	1.06	0.93
TMLX060A12MP11	CF/CM/CU30B	1.00	1.06	0.93
TMLX060A12MP11	CF/CM/CU36B	1.00	1.08	0.93
TMLX060A12MP11	CF/CM36A	1.00	1.11	0.95
TMLX060A12MP11	CF42B	1.01	1.06	0.92
TMLX080B12MP11	CF/CM/CU24B	0.99	1.09	0.92
TMLX080B12MP11	CF/CM/CU30B	1.01	1.11	0.92
TMLX080B12MP11	CF/CM/CU36B	1.01	1.11	0.92
TMLX080B12MP11	CF/CM/CU36C	1.00	1.13	0.92
TMLX080B12MP11	CF/CM/CU42C	1.00	1.14	0.92
TMLX080B12MP11	CF/CM/CU48C	1.01	1.11	0.89
TMLX080B12MP11	CF/CM/CU60C	1.00	1.09	0.92
TMLX080B12MP11	CF/CM24C	0.97	1.12	0.92
TMLX080B12MP11	CF/CM30C	0.99	1.13	0.92
TMLX080B12MP11	CF/CM50C	1.01	1.15	0.91
TMLX080B12MP11	CF42B	1.01	1.09	0.92
TP9C060B12MP13C	CF/CM/CU24B	0.97	1.14	0.94
TP9C060B12MP13C	XAF/XAUB36D	1.01	1.05	0.94
TP9C060B12MP13C	XAF/XAUC48F	1.02	1.02	0.94
TP9C060B12MP13C	XAF/XAUC60G	1.02	1.04	0.93
TP9C060B12MP13C	XAFC36D	1.01	1.06	0.94
TP9C060B12MP13C	XAHB36D	1.01	1.05	0.95
TP9C060B12MP13C	XAHC36D	1.01	1.06	0.94
TP9C060B12MP13C	XAHC48F	1.01	1.05	0.93
TP9C060B12MP13C	XAHC60G	1.02	1.02	0.91
TP9C080B12MP13C	XAF/XAUB36D	1.01	1.04	0.92
TP9C080B12MP13C	XAF/XAUC48F	1.02	1.05	0.94
TP9C080B12MP13C	XAF/XAUC60G	1.02	1.02	0.91
TP9C080B12MP13C	XAFC36D	1.01	1.02	0.91
TP9C080B12MP13C	XAHB36D	1.01	1.01	0.92
TP9C080B12MP13C	XAHC36D	1.01	1.02	0.91
TP9C080B12MP13C	XAHC48F	1.02	1.01	0.91
TP9C080B12MP13C	XAHC60G	1.02	1.02	0.90
TP9C080C16MP13C	CF/CM/CU36C	1.00	1.19	0.92
TP9C080C16MP13C	CF/CM/CU42C	1.00	1.18	0.92
TP9C080C16MP13C	CF/CM/CU48C	1.00	1.17	0.90
TP9C080C16MP13C	CF/CM/CU48D	1.00	1.17	0.92
TP9C080C16MP13C	CF/CM/CU60C	1.00	1.11	0.92
TP9C080C16MP13C	CF/CM/CU60D	1.00	1.11	0.92
TP9C080C16MP13C	CF/CM30C	0.99	1.18	0.92
TP9C080C16MP13C	CF/CM36D	1.00	1.19	0.92
TP9C080C16MP13C	CF/CM42D	1.00	1.18	0.92
TP9C080C16MP13C	XAHC60G	1.02	1.06	0.90
TP9C100C16MP12C	CF/CM/CU36C	1.00	1.16	0.90
TP9C100C16MP12C	CF/CM/CU42C	1.00	1.15	0.90
TP9C100C16MP12C	CF/CM/CU48C	1.00	1.15	0.89
TP9C100C16MP12C	CF/CM30C	0.99	1.14	0.91
TP9C100C16MP13C	CF/CM/CU30C	0.99	1.13	0.91
TP9C100C16MP13C	CF/CM/CU36C	1.00	1.16	0.90
TP9C100C16MP13C	CF/CM/CU42C	1.00	1.15	0.90
TP9C100C16MP13C	CF/CM/CU48C	1.00	1.15	0.89

FURNACE MULTIPLIERS - 2 TON (Continued)

Furnaces	Coil	T.C.	S.C.	KW
TP9C100C16MP13C	XAF/XAUC48F	1.01	1.04	0.90
TP9C100C16MP13C	XAF/XAUC60G	1.02	1.05	0.90
TP9C100C16MP13C	XAF/XAUD60G	1.02	1.04	0.90
TP9C100C16MP13C	XAFC36D	1.01	1.05	0.90
TP9C100C16MP13C	XAFD48F	1.01	1.06	0.91
TP9C100C16MP13C	XAHC36D	1.01	1.05	0.90
TP9C100C16MP13C	XAHC48F	1.01	1.04	0.89
TP9C100C16MP13C	XAHC60G	1.02	1.04	0.90
TP9C100C16MP13C	XAHD48F	1.01	1.06	0.91
TP9C100C16MP13C	XAHD60G	1.02	1.08	0.91
TPLC080B12MP12C	CF42B	1.00	1.15	0.95
TPLC080B12MP13C	CF42B	1.00	1.15	0.95
TPLC080B12MP13C	XAF/XAUB36D	1.01	1.06	0.95
TPLC080B12MP13C	XAF/XAUC48F	1.02	1.04	0.94
TPLC080B12MP13C	XAF/XAUC60G	1.02	1.04	0.93
TPLC080B12MP13C	XAFC36D	1.01	1.07	0.95
TPLC080B12MP13C	XAHB36D	1.01	1.03	0.95
TPLC080B12MP13C	XAHC36D	1.01	1.04	0.93
TPLC080B12MP13C	XAHC48F	1.02	1.02	0.94
TPLC080B12MP13C	XAHC60G	1.02	1.04	0.93
TPLC080C16MP13C	XAF/XAUC60G	1.02	1.04	0.90
TPLC080C16MP13C	XAHC48F	1.01	1.02	0.89
TPLC080C16MP13C	XAHC60G	1.02	1.06	0.90
CP9C060B12MP13C	CF/CM/CU24B	0.97	1.14	0.94
CP9C060B12MP13C	XAF/XAUB36D	1.01	1.05	0.94
CP9C060B12MP13C	XAF/XAUC48F	1.02	1.02	0.94
CP9C060B12MP13C	XAF/XAUC60G	1.02	1.04	0.93
CP9C060B12MP13C	XAFC36D	1.01	1.06	0.94
CP9C060B12MP13C	XAHB36D	1.01	1.05	0.95
CP9C060B12MP13C	XAHC36D	1.01	1.06	0.94
CP9C060B12MP13C	XAHC48F	1.01	1.05	0.93
CP9C060B12MP13C	XAHC60G	1.02	1.02	0.91
CP9C080B12MP13C	XAF/XAUB36D	1.01	1.04	0.92
CP9C080B12MP13C	XAF/XAUC48F	1.02	1.05	0.94
CP9C080B12MP13C	XAF/XAUC60G	1.02	1.02	0.91
CP9C080B12MP13C	XAFC36D	1.01	1.02	0.91
CP9C080B12MP13C	XAHB36D	1.01	1.01	0.92
CP9C080B12MP13C	XAHC36D	1.01	1.02	0.91
CP9C080B12MP13C	XAHC48F	1.02	1.01	0.91
CP9C080B12MP13C	XAHC60G	1.02	1.02	0.90
CP9C080C16MP13C	CF/CM/CU36C	1.00	1.19	0.92
CP9C080C16MP13C	CF/CM/CU42C	1.00	1.18	0.92
CP9C080C16MP13C	CF/CM/CU48C	1.00	1.17	0.90
CP9C080C16MP13C	CF/CM/CU48D	1.00	1.17	0.92
CP9C080C16MP13C	CF/CM/CU60C	1.00	1.11	0.92
CP9C080C16MP13C	CF/CM/CU60D	1.00	1.11	0.92
CP9C080C16MP13C	CF/CM30C	0.99	1.18	0.92
CP9C080C16MP13C	CF/CM36D	1.00	1.19	0.92
CP9C080C16MP13C	CF/CM42D	1.00	1.18	0.92
CP9C080C16MP13C	XAHC60G	1.02	1.06	0.90
CP9C100C16MP12C	CF/CM/CU36C	1.00	1.16	0.90
CP9C100C16MP12C	CF/CM/CU42C	1.00	1.15	0.90

FURNACE MULTIPLIERS - 2 TON (Continued)

Furnaces	Coil	T.C.	S.C.	KW
CP9C100C16MP12C	CF/CM/CU48C	1.00	1.15	0.89
CP9C100C16MP12C	CF/CM30C	0.99	1.14	0.91
CP9C100C16MP13C	CF/CM/CU30C	0.99	1.13	0.91
CP9C100C16MP13C	CF/CM/CU36C	1.00	1.16	0.90
CP9C100C16MP13C	CF/CM/CU42C	1.00	1.15	0.90
CP9C100C16MP13C	CF/CM/CU48C	1.00	1.15	0.89
CP9C100C16MP13C	XAF/XAUC48F	1.01	1.04	0.90
CP9C100C16MP13C	XAF/XAUC60G	1.02	1.05	0.90
CP9C100C16MP13C	XAF/XAUD60G	1.02	1.04	0.90
CP9C100C16MP13C	XAFC36D	1.01	1.05	0.90
CP9C100C16MP13C	XAFD48F	1.01	1.06	0.91
CP9C100C16MP13C	XAHC36D	1.01	1.05	0.90
CP9C100C16MP13C	XAHC48F	1.01	1.04	0.89
CP9C100C16MP13C	XAHC60G	1.02	1.04	0.90
CP9C100C16MP13C	XAHD48F	1.01	1.06	0.91
CP9C100C16MP13C	XAHD60G	1.02	1.08	0.91
CPLC080B12MP12C	CF42B	1.00	1.15	0.95

FURNACE MULTIPLIERS - 2 TON (Continued)

Furnaces	Coil	T.C.	S.C.	KW
CPLC080B12MP13C	CF42B	1.00	1.15	0.95
CPLC080B12MP13C	XAF/XAUB36D	1.01	1.06	0.95
CPLC080B12MP13C	XAF/XAUC48F	1.02	1.04	0.94
CPLC080B12MP13C	XAF/XAUC60G	1.02	1.04	0.93
CPLC080B12MP13C	XAFC36D	1.01	1.07	0.95
CPLC080B12MP13C	XAHB36D	1.01	1.03	0.95
CPLC080B12MP13C	XAHC36D	1.01	1.04	0.93
CPLC080B12MP13C	XAHC48F	1.02	1.02	0.94
CPLC080B12MP13C	XAHC60G	1.02	1.04	0.93
CPLC080C16MP13C	XAF/XAUC60G	1.02	1.04	0.90
CPLC080C16MP13C	XAHC48F	1.01	1.02	0.89
CPLC080C16MP13C	XAHC60G	1.02	1.06	0.90
CPLC100C16MP13C	XAF/XAUC60G	1.02	1.04	0.90
CPLC100C16MP13C	XAHC48F	1.01	1.02	0.89
CPLC100C16MP13C	XAHC60G	1.02	1.06	0.90

PERFORMANCE DATA - 3 TON

CONDENSER-ONLY DATA (OUTDOOR UNIT)																		
MODEL	SATURATED SUCTION AT COMPRESSOR		Outdoor Ambient Temperature															
			55 °F		65 °F		75 °F		85 °F		95 °F		105 °F		115 °F		125 °F	
	T (°F)	P (PSIG)	MBH	KW	MBH	KW	MBH	KW	MBH	KW	MBH	KW	MBH	KW	MBH	KW	MBH	KW
AC19B3621S (Stage 2)	35	107	33.0	1.93	31.3	2.13	29.7	2.33	28.1	2.56	26.3	2.82	24.5	3.13	22.6	3.50	20.5	3.93
	40	118	36.3	1.93	34.5	2.12	32.8	2.32	31.0	2.55	29.1	2.80	27.1	3.12	25.0	3.49	22.8	3.91
	45	130	39.9	1.93	38.0	2.12	36.0	2.32	34.1	2.54	32.1	2.79	29.9	3.10	27.7	3.47	25.3	3.89
	50	142	43.5	1.94	41.6	2.12	39.6	2.31	37.5	2.53	35.3	2.77	33.0	3.08	30.5	3.44	27.9	3.86
	55	156	47.6	1.96	45.5	2.12	43.3	2.31	41.0	2.52	38.7	2.75	36.2	3.05	33.6	3.42	30.7	3.82
AC19B3621S (Stage 1)	35	107	21.7	1.45	19.7	1.69	18.3	1.93	17.2	2.17	16.1	2.44	14.7	2.76	13.6	3.16	10.6	3.56
	40	118	24.6	1.38	22.2	1.63	20.5	1.88	19.2	2.13	17.9	2.40	16.5	2.71	14.8	3.08	12.6	3.50
	45	130	27.9	1.29	25.0	1.56	23.0	1.82	21.4	2.08	20.0	2.35	18.5	2.67	16.8	3.03	14.6	3.44
	50	142	31.6	1.20	28.2	1.49	25.8	1.76	23.9	2.02	22.2	2.30	20.6	2.62	18.8	2.98	16.7	3.38
	55	156	35.8	1.10	31.9	1.40	28.9	1.68	26.6	1.96	24.7	2.25	22.9	2.56	21.0	2.92	18.8	3.32

Notes:

- For Outdoor Unit (Condenser) performance only. Data does not include the effects of air handler power or heat.
- Performance based on 15°F subcooling and 15°F superheat at the Outdoor Unit base valves.
 - Increase capacity by 1% for each 2°F increase in subcooling.
 - Decrease capacity by 1% for each 2°F decrease in subcooling.
- Maximum recommended condensing temperature is 140°F.

COOLING PERFORMANCE DATA																	
OUTDOOR UNIT MODEL NO.		AC19B3621S															
INDOOR COIL MODEL NO.		CF64DXA1															
AIR TEMPERATURE ENTERING OUTDOOR UNIT (°F)	ID CFM	950					1200					1450					
		ID DB (°F)		80	80	75	80	80	80	80	75	80	80	80	75	80	80
		ID WB (°F)		57	62	62	67	72	57	62	62	67	72	57	62	62	67
55	T.C.	33.4	36.3	36.0	37.7	38.5	34.4	36.8	36.8	38.0	39.0	35.4	37.4	37.5	38.4	39.4	
	S.C.	33.4	29.6	25.2	23.9	18.2	34.4	30.9	26.6	24.5	18.4	35.4	32.2	28.0	25.1	18.6	
	KW	1.75	1.75	1.76	1.76	1.76	1.84	1.85	1.85	1.85	1.85	1.94	1.94	1.95	1.95	1.94	
65	T.C.	32.6	35.1	35.1	37.5	39.5	34.2	36.1	36.1	38.3	40.3	35.8	37.1	37.1	39.2	41.0	
	S.C.	32.6	29.3	24.9	24.2	18.8	34.2	31.7	26.8	25.6	19.5	35.8	34.0	28.8	27.0	20.1	
	KW	1.92	1.92	1.93	1.94	1.95	2.02	2.02	2.03	2.03	2.04	2.12	2.12	2.12	2.13	2.13	
75	T.C.	31.9	33.9	34.1	37.3	40.5	34.0	35.4	35.4	38.6	41.5	36.2	36.8	36.8	39.9	42.5	
	S.C.	31.9	29.1	24.5	24.4	19.5	34.0	32.4	27.1	26.6	20.6	36.2	35.8	29.7	28.9	21.6	
	KW	2.09	2.10	2.10	2.11	2.13	2.19	2.19	2.20	2.21	2.23	2.30	2.29	2.30	2.31	2.32	
85	T.C.	30.9	32.7	32.7	35.9	39.1	32.9	34.0	34.0	37.2	40.2	34.9	35.3	35.2	38.5	41.3	
	S.C.	30.9	28.6	24.0	23.9	19.1	32.9	31.9	26.6	26.2	20.1	34.9	35.2	29.2	28.5	21.1	
	KW	2.32	2.32	2.33	2.33	2.35	2.42	2.41	2.42	2.43	2.45	2.52	2.51	2.52	2.53	2.55	
95	T.C.	30.0	31.5	31.4	34.6	37.7	31.8	32.6	32.5	35.8	38.9	33.6	33.8	33.7	37.0	40.1	
	S.C.	30.0	28.2	23.5	23.4	18.7	31.8	31.4	26.1	25.8	19.7	33.6	33.8	28.7	28.2	20.7	
	KW	2.55	2.54	2.55	2.55	2.58	2.64	2.63	2.65	2.65	2.67	2.74	2.73	2.74	2.75	2.77	
105	T.C.	28.5	29.6	29.6	32.5	35.5	30.2	30.7	30.6	33.6	36.7	31.8	31.8	31.6	34.8	37.8	
	S.C.	28.5	27.3	22.7	22.5	17.8	30.2	29.9	25.3	24.9	18.8	31.8	31.8	27.9	27.3	19.8	
	KW	2.86	2.85	2.86	2.87	2.89	2.96	2.95	2.96	2.97	2.99	3.06	3.05	3.06	3.07	3.08	
115	T.C.	27.1	27.7	27.8	30.4	33.4	28.6	28.8	28.7	31.5	34.5	30.1	29.9	29.6	32.6	35.5	
	S.C.	27.1	26.4	21.9	21.6	17.0	28.6	28.5	24.5	24.0	17.9	30.1	29.9	27.1	26.3	18.9	
	KW	3.17	3.16	3.17	3.18	3.20	3.26	3.26	3.27	3.28	3.29	3.36	3.36	3.37	3.37	3.39	
125	T.C.	25.6	25.8	26.1	28.4	31.3	27.0	26.9	26.9	29.4	32.3	28.4	27.9	27.7	30.4	33.3	
	S.C.	25.6	25.5	21.1	20.8	16.1	27.0	26.9	23.7	23.1	17.1	28.4	27.9	26.3	25.4	18.0	
	KW	3.47	3.47	3.48	3.49	3.50	3.57	3.57	3.57	3.58	3.60	3.67	3.67	3.67	3.68	3.69	

NOTE: ALL CAPACITIES INCLUDE INDOOR FAN HEAT. KW VALUES ARE FOR THE SYSTEM (OUTDOOR + INDOOR).

Green shaded cells are ACCA (TVA) conditions.

Blue shaded cells are AHRI conditions.

Multipliers for determining the performance with other indoor sections.

NOTE: For dry bulb temperatures different than those listed (between 73-87 °F), sensible capacity increases by 1060 BTUH per 1000 CFM per degree above the listed temperature and decreases by 1060 BTUH per 1000 CFM per degree below the listed temperature.

COIL MULTIPLIERS - 3 TON

Air Handler	Coil	T.C.	S.C.	KW
—	CF/CM/CU36B	0.97	0.95	1.01
—	CF/CM/CU36C	0.97	1.07	1.02
—	CF/CM/CU42C	0.98	1.09	1.04
—	CF/CM/CU48C	0.98	1.09	1.04
—	CF/CM/CU48D	0.98	0.97	1.02
—	CF/CM/CU60C	0.99	1.06	1.03
—	CF/CM42D	0.98	1.09	1.04
—	CF/CM60D	0.98	0.96	1.00
—	CF/CM64D	1.00	1.00	1.00
—	CF42B	0.98	1.09	1.04
—	XAF/XAUB36D	0.98	0.96	0.99
—	XAF/XAUC48F	0.98	0.97	1.00
—	XAF/XAUC60G	0.99	0.99	1.01
—	XAF/XAUD60G	0.99	0.99	1.01
—	XAFC36D	0.98	0.96	0.99
—	XAFC60H	1.00	1.00	1.00
—	XAFD48F	0.98	0.97	1.00
—	XAHC36D	0.98	0.96	0.99
—	XAHC48F	0.98	0.97	1.00
—	XAHC60G	0.99	0.99	1.01
—	XAHC60H	1.00	1.00	1.00
—	XAHD48F	0.98	0.97	1.00
—	XAHD60G	0.99	0.99	1.01
—	XAHD60H	1.00	1.00	1.00
AE36BX21	—	0.98	1.06	0.95
AE36CX21	—	0.99	1.10	0.94
AE42CX21	—	0.99	1.10	0.94
AE48CX21	—	1.01	1.12	0.94
AE48DX21	—	1.01	1.15	0.92
AE60DX21	—	1.01	1.14	0.92
AVC36BX21	—	0.98	1.07	0.96
AVC36CX21	—	0.99	1.11	0.95
AVC42CX21	—	1.01	1.12	0.97
AVC48CX21	—	1.01	1.11	0.95
AVC48DX21	—	1.01	1.15	0.94
AVC60CX21	—	1.01	1.08	0.97
AVC60DX21	—	1.01	1.06	0.92
ME12BN21	CF/CM36B	0.98	1.10	0.97
ME12BN21	CF42B	0.98	1.03	0.93
ME12CN21	CF/CM36C	0.99	1.11	0.95
ME14DN21	CF/CM36D	0.99	1.10	0.94
ME14DN21	CF/CM42D	1.00	1.10	0.93
ME14DN21	CF/CM48D	1.00	1.11	0.93
ME14DN21	CF/CM60D	1.01	1.08	0.92
ME14DN21	CF/CM64D	1.01	1.14	0.94
ME16CN21	CF/CM36C	0.98	1.05	0.93
ME16CN21	CF/CM42C	1.01	1.14	0.97
ME16CN21	CF/CM48C	1.01	1.15	0.97
ME16CN21	CF/CM60C	1.01	1.15	0.97
MVC08BN21	CF/CM36B	0.97	1.01	0.93
MVC08BN21	CF42B	0.97	1.00	0.94
MVC12BN21	CF/CM36B	0.98	1.06	0.95

COIL MULTIPLIERS - 3 TON (Continued)

Air Handler	Coil	T.C.	S.C.	KW
MVC12BN21	CF42B	1.00	1.12	1.00
MVC12CN21	CF/CM36C	0.99	1.09	0.94
MVC12CN21	CF/CM42C	0.98	1.00	0.91
MVC12CN21	CF/CM48C	0.98	1.02	0.92
MVC12CN21	CF/CM60C	1.01	1.09	0.94
MVC14DN21	CF/CM36D	1.00	1.13	0.93
MVC14DN21	CF/CM42D	1.01	1.14	0.94
MVC14DN21	CF/CM48D	1.01	1.16	0.92
MVC14DN21	CF/CM60D	1.01	1.15	0.92
MVC14DN21	CF/CM64D	1.01	1.15	0.92
MVC16CN21	CF/CM36C	1.00	1.14	0.95
MVC16CN21	CF/CM42C	1.01	1.14	0.94
MVC16CN21	CF/CM48C	1.01	1.15	0.94
MVC16CN21	CF/CM60C	1.01	1.15	0.94
MVC20DN21	CF/CM36D	1.00	1.14	0.93
MVC20DN21	CF/CM42D	1.01	1.13	0.92
MVC20DN21	CF/CM48D	1.01	1.17	0.92
MVC20DN21	CF/CM60D	1.01	1.13	0.92
MVC20DN21	CF/CM64D	1.01	1.14	0.91

FURNACE MULTIPLIERS - 3 TON

Furnaces	Coil	T.C.	S.C.	KW
TL8E060A12UH11	CF/CM/CU36B	0.97	1.01	0.97
TL8E060A12UH11	CF/CM/CU36C	0.97	1.02	0.97
TL8E060A12UH11	CF/CM/CU42C	0.98	1.02	0.96
TL8E060A12UH11	CF/CM/CU48C	0.98	1.04	0.96
TL8E060A12UH11	CF/CM/CU60C	0.99	1.04	1.01
TL8E060A12UH11	CF42B	0.97	1.00	0.97
TL8E060A12UH11	XAF/XAUB36D	0.98	0.91	0.96
TL8E060A12UH11	XAHB36D	0.97	0.89	0.97
TL8E080C16UH11	CF/CM/CU36C	0.98	1.06	0.95
TL8E080C16UH11	CF/CM/CU42C	0.99	1.06	0.95
TL8E080C16UH11	CF/CM/CU48C	0.99	1.07	0.95
TL8E080C16UH11	CF/CM/CU48D	0.99	1.07	0.95
TL8E080C16UH11	CF/CM/CU60C	0.98	1.05	0.95
TL8E080C16UH11	CF/CM/CU60D	1.01	1.09	0.99
TL8E080C16UH11	CF/CM36D	0.98	1.06	0.97
TL8E080C16UH11	CF/CM42D	0.99	1.06	0.95
TL8E080C16UH11	CF/CM64D	1.01	1.05	0.97
TL8E080C16UH11	XAF/XAUC48F	1.00	0.98	0.98
TL8E080C16UH11	XAF/XAUC60G	1.00	1.02	0.96
TL8E080C16UH11	XAF/XAUD60G	1.01	1.01	0.97
TL8E080C16UH11	XAF/XAUD60H	1.02	1.01	0.98
TL8E080C16UH11	XAFC36D	0.99	0.99	0.99
TL8E080C16UH11	XAFC60H	1.02	1.08	0.98
TL8E080C16UH11	XAFD48F	1.00	0.98	0.98
TL8E080C16UH11	XAHC36D	0.98	0.92	0.96
TL8E080C16UH11	XAHC48F	1.00	0.98	0.98
TL8E080C16UH11	XAHC60G	1.00	1.02	0.96
TL8E080C16UH11	XAHC60H	1.02	1.07	1.00
TL8E080C16UH11	XAHD48F	1.00	0.98	0.98
TL8E080C16UH11	XAHD60G	0.99	0.95	0.96
TL8E080C16UH11	XAHD60H	1.02	1.05	1.00

FURNACE MULTIPLIERS - 3 TON (Continued)

Furnaces	Coil	T.C.	S.C.	KW
TL8E100C20UH11	CF/CM/CU36C	0.99	1.12	0.95
TL8E100C20UH11	CF/CM/CU42C	1.00	1.12	0.96
TL8E100C20UH11	CF/CM/CU48C	1.01	1.12	0.97
TL8E100C20UH11	CF/CM/CU48D	1.01	1.11	0.97
TL8E100C20UH11	CF/CM/CU60C	1.01	1.08	0.97
TL8E100C20UH11	CF/CM/CU60D	1.01	1.08	0.97
TL8E100C20UH11	CF/CM36D	0.99	1.13	0.96
TL8E100C20UH11	CF/CM42D	1.01	1.14	0.97
TL8E100C20UH11	CF/CM64D	1.01	1.10	0.97
TL8E100C20UH11	XAF/XAUC48F	1.01	0.98	0.97
TL8E100C20UH11	XAF/XAUC60G	1.02	1.05	0.98
TL8E100C20UH11	XAF/XAUD60G	1.02	1.05	0.98
TL8E100C20UH11	XAF/XAUD60H	1.02	1.05	0.98
TL8E100C20UH11	XAFC36D	1.00	0.98	0.96
TL8E100C20UH11	XAFC60H	1.02	1.06	0.98
TL8E100C20UH11	XAFD48F	1.01	0.98	0.97
TL8E100C20UH11	XAHC36D	1.00	0.97	0.96
TL8E100C20UH11	XAHC48F	1.01	0.98	0.97
TL8E100C20UH11	XAHC60G	1.02	1.05	0.98
TL8E100C20UH11	XAHC60H	1.02	1.06	0.98
TL8E100C20UH11	XAHD48F	1.01	0.98	0.97
TL8E100C20UH11	XAHD60G	1.02	1.05	0.98
TL8E100C20UH11	XAHD60H	1.02	1.05	0.98
TL9E060B12UH11	CF/CM/CU36B	0.96	1.01	0.98
TL9E060B12UH11	CF/CM/CU36C	0.96	1.02	0.98
TL9E060B12UH11	CF/CM/CU42C	0.97	1.02	0.99
TL9E060B12UH11	CF/CM/CU48C	0.97	1.02	0.99
TL9E060B12UH11	CF/CM/CU60C	0.97	0.98	0.99
TL9E060B12UH11	CF42B	0.97	1.01	0.98
TL9E060B12UH11	XAF/XAUB36D	0.97	0.90	0.98
TL9E060B12UH11	XAF/XAUC48F	0.97	0.90	0.99
TL9E060B12UH11	XAF/XAUC60G	0.98	0.92	0.98
TL9E060B12UH11	XAFC36D	0.97	0.91	0.99
TL9E060B12UH11	XAFC60H	0.99	0.94	0.97
TL9E060B12UH11	XAHC36D	0.97	0.89	0.98
TL9E060B12UH11	XAHC48F	0.97	0.90	0.97
TL9E060B12UH11	XAHC60G	0.98	0.93	0.98
TL9E060B12UH11	XAHC60H	0.99	0.94	0.97
TL9E080C16UH11	CF/CM/CU36C	0.97	1.02	0.95
TL9E080C16UH11	CF/CM/CU42C	0.98	1.03	0.96
TL9E080C16UH11	CF/CM/CU48C	1.00	1.12	0.98
TL9E080C16UH11	CF/CM/CU48D	1.01	1.11	0.99
TL9E080C16UH11	CF/CM/CU60C	0.98	1.01	0.96
TL9E080C16UH11	CF/CM/CU60D	0.98	1.02	0.97
TL9E080C16UH11	CF/CM36D	0.98	1.05	0.96
TL9E080C16UH11	CF/CM42D	0.98	1.05	0.97
TL9E080C16UH11	CF/CM64D	1.01	1.11	0.99
TL9E080C16UH11	XAF/XAUC48F	0.98	0.91	0.96
TL9E080C16UH11	XAF/XAUC60G	0.99	1.01	0.98
TL9E080C16UH11	XAF/XAUD60G	0.99	0.94	0.95
TL9E080C16UH11	XAF/XAUD60H	1.02	1.02	1.00
TL9E080C16UH11	XAFC36D	0.98	0.92	0.96
TL9E080C16UH11	XAFC60H	1.02	1.06	1.04
TL9E080C16UH11	XAFD48F	0.98	0.92	0.95
TL9E080C16UH11	XAHC36D	0.98	0.92	0.96
TL9E080C16UH11	XAHC48F	0.98	0.92	0.95

FURNACE MULTIPLIERS - 3 TON (Continued)

Furnaces	Coil	T.C.	S.C.	KW
TL9E080C16UH11	XAHC60G	0.99	0.95	0.96
TL9E080C16UH11	XAHC60H	1.02	1.08	1.04
TL9E080C16UH11	XAHD48F	1.00	0.98	1.00
TL9E080C16UH11	XAHD60G	0.99	1.01	0.98
TL9E080C16UH11	XAHD60H	1.02	1.02	1.00
TL9E100C20UH11	CF/CM/CU48C	1.01	1.19	0.99
TL9E100C20UH11	CF/CM/CU60C	1.01	1.12	0.99
TL9E100C20UH11	CF/CM64D	1.01	1.16	0.97
TL9E100C20UH11	XAF/XAUC48F	1.01	1.03	1.01
TL9E100C20UH11	XAF/XAUC60G	1.02	1.05	1.00
TL9E100C20UH11	XAF/XAUD60G	1.02	1.05	1.00
TL9E100C20UH11	XAF/XAUD60H	1.02	1.06	0.98
TL9E100C20UH11	XAFC36D	1.01	1.04	1.01
TL9E100C20UH11	XAFC60H	1.02	1.09	0.97
TL9E100C20UH11	XAFD48F	1.01	1.03	1.01
TL9E100C20UH11	XAHC36D	1.01	1.03	0.98
TL9E100C20UH11	XAHC48F	1.01	1.03	1.01
TL9E100C20UH11	XAHC60G	1.02	1.05	1.00
TL9E100C20UH11	XAHC60H	1.02	1.06	0.98
TL9E100C20UH11	XAHD48F	1.01	1.03	1.01
TL9E100C20UH11	XAHD60G	1.02	1.05	1.00
TL9E100C20UH11	XAHD60H	1.02	1.06	0.98
TM8E040A12MP11	CF/CM/CU36B	0.97	1.01	0.97
TM8E040A12MP11	CF42B	0.97	0.99	0.97
TM8E040A12MP11	XAF/XAUB36D	0.97	0.89	0.95
TM8E040A12MP11	XAHB36D	0.98	0.95	1.00
TM8E060A12MP11	CF/CM/CU36B	0.97	1.01	0.97
TM8E060A12MP11	CF42B	0.97	0.99	0.97
TM8E060A12MP11	XAF/XAUB36D	0.97	0.89	0.95
TM8E060A12MP11	XAHB36D	0.97	0.89	0.97
TM8E080B12MP11	CF/CM/CU36B	0.97	1.01	0.95
TM8E080B12MP11	CF/CM/CU36C	0.97	1.02	0.97
TM8E080B12MP11	CF/CM/CU42C	0.98	1.02	0.96
TM8E080B12MP11	CF/CM/CU48C	0.98	1.02	0.96
TM8E080B12MP11	CF/CM/CU60C	0.98	0.99	0.96
TM8E080B12MP11	CF42B	0.97	1.01	0.95
TM8E080B12MP11	XAF/XAUB36D	0.98	0.98	1.00
TM8E080B12MP11	XAF/XAUC48F	0.99	1.01	1.05
TM8E080B12MP11	XAF/XAUC60G	0.98	0.92	0.95
TM8E080B12MP11	XAFC36D	0.98	0.97	1.00
TM8E080B12MP11	XAFC60H	0.99	0.94	0.96
TM8E080B12MP11	XAHB36D	0.97	0.89	0.97
TM8E080B12MP11	XAHC36D	0.97	0.89	0.95
TM8E080B12MP11	XAHC48F	0.98	0.91	0.96
TM8E080B12MP11	XAHC60G	0.98	0.92	0.95
TM8E080B12MP11	XAHC60H	1.00	0.95	0.95
TM8E080C16MP11	CF/CM/CU36C	0.98	1.05	0.94
TM8E080C16MP11	CF/CM/CU42C	0.98	1.05	0.95
TM8E080C16MP11	CF/CM/CU48C	0.98	1.06	0.95
TM8E080C16MP11	CF/CM/CU48D	0.98	1.06	0.95
TM8E080C16MP11	CF/CM/CU60C	0.99	1.02	0.95
TM8E080C16MP11	CF/CM/CU60D	0.99	1.05	0.95
TM8E080C16MP11	CF/CM36D	0.98	1.05	0.95
TM8E080C16MP11	CF/CM42D	0.99	1.06	0.95
TM8E080C16MP11	CF/CM64D	1.01	1.06	0.97
TM8E080C16MP11	XAF/XAUC48F	0.99	0.98	0.98

FURNACE MULTIPLIERS - 3 TON (Continued)

Furnaces	Coil	T.C.	S.C.	KW
TM8E080C16MP11	XAF/XAUC60G	1.00	1.02	0.96
TM8E080C16MP11	XAF/XAUD60G	1.00	1.01	0.96
TM8E080C16MP11	XAF/XAUD60H	1.02	1.02	0.98
TM8E080C16MP11	XAFC36D	0.98	0.92	0.95
TM8E080C16MP11	XAFC60H	1.02	1.02	0.98
TM8E080C16MP11	XAFD48F	0.99	0.99	0.98
TM8E080C16MP11	XAHC36D	0.98	0.91	0.94
TM8E080C16MP11	XAHC48F	0.99	0.99	0.98
TM8E080C16MP11	XAHC60G	1.01	1.02	0.97
TM8E080C16MP11	XAHC60H	1.02	1.03	0.98
TM8E080C16MP11	XAHD48F	0.99	0.98	0.98
TM8E080C16MP11	XAHD60G	1.00	1.01	0.96
TM8E080C16MP11	XAHD60H	1.02	1.02	0.98
TM8E080C20MP11	XAFC36D	1.01	1.05	0.98
TM8E080C20MP11	XAHC36D	1.01	1.05	1.03
TM8E100B12MP11	CF/CM/CU36B	0.97	1.02	0.97
TM8E100B12MP11	CF/CM/CU36C	0.98	1.05	0.98
TM8E100B12MP11	CF/CM/CU42C	0.98	1.05	0.98
TM8E100B12MP11	CF/CM/CU48C	0.98	1.05	0.96
TM8E100B12MP11	CF/CM/CU60C	0.98	1.02	0.97
TM8E100B12MP11	CF42B	0.98	1.02	0.96
TM8E100B12MP11	XAF/XAUB36D	0.98	0.92	0.98
TM8E100B12MP11	XAF/XAUC48F	0.98	0.92	0.96
TM8E100B12MP11	XAF/XAUC60G	0.99	0.95	0.95
TM8E100B12MP11	XAFC36D	0.99	0.97	1.01
TM8E100B12MP11	XAFC60H	1.01	1.02	0.99
TM8E100B12MP11	XAHB36D	0.98	0.96	1.02
TM8E100B12MP11	XAHC36D	0.98	0.92	0.98
TM8E100B12MP11	XAHC48F	0.99	0.97	1.01
TM8E100B12MP11	XAHC60G	0.99	0.95	0.96
TM8E100B12MP11	XAHC60H	1.01	1.02	0.99
TM8E100C16MP11	CF/CM/CU36C	0.98	1.06	0.95
TM8E100C16MP11	CF/CM/CU42C	0.99	1.06	0.95
TM8E100C16MP11	CF/CM/CU48C	0.99	1.07	0.95
TM8E100C16MP11	CF/CM/CU48D	0.99	1.07	0.95
TM8E100C16MP11	CF/CM/CU60C	0.99	1.05	0.95
TM8E100C16MP11	CF/CM/CU60D	0.99	1.05	0.95
TM8E100C16MP11	CF/CM36D	0.98	1.05	0.95
TM8E100C16MP11	CF/CM42D	0.99	1.06	0.95
TM8E100C16MP11	CF/CM64D	1.01	1.05	0.97
TM8E100C16MP11	XAF/XAUC48F	1.00	1.00	0.98
TM8E100C16MP11	XAF/XAUC60G	0.99	0.95	0.94
TM8E100C16MP11	XAF/XAUD60G	1.00	1.02	0.96
TM8E100C16MP11	XAF/XAUD60H	1.01	0.96	0.95
TM8E100C16MP11	XAFC36D	0.99	0.94	0.92
TM8E100C16MP11	XAFC60H	1.01	0.97	0.95
TM8E100C16MP11	XAFD48F	1.00	1.00	0.98
TM8E100C16MP11	XAHC36D	0.98	0.92	0.95
TM8E100C16MP11	XAHC48F	0.99	0.93	0.95
TM8E100C16MP11	XAHC60G	1.00	0.96	0.95
TM8E100C16MP11	XAHC60H	1.01	0.98	0.96
TM8E100C16MP11	XAHD48F	1.00	0.99	0.98
TM8E100C16MP11	XAHD60G	0.99	0.95	0.94
TM8E100C16MP11	XAHD60H	1.01	0.96	0.95
TM8E100C20MP11	XAFC36D	1.01	1.05	1.01
TM8E100C20MP11	XAHC36D	1.01	1.04	1.01

FURNACE MULTIPLIERS - 3 TON (Continued)

Furnaces	Coil	T.C.	S.C.	KW
TM8E120C16MP11	CF/CM/CU36C	0.98	1.05	0.95
TM8E120C16MP11	CF/CM/CU42C	1.01	1.13	0.99
TM8E120C16MP11	CF/CM/CU48C	0.99	1.07	0.95
TM8E120C16MP11	CF/CM/CU48D	0.99	1.07	0.95
TM8E120C16MP11	CF/CM/CU60C	1.01	1.09	0.99
TM8E120C16MP11	CF/CM/CU60D	1.01	1.09	0.99
TM8E120C16MP11	CF/CM36D	0.98	1.05	0.95
TM8E120C16MP11	CF/CM42D	1.01	1.14	0.99
TM8E120C16MP11	CF/CM64D	1.01	1.14	0.97
TM8E120C16MP11	XAF/XAUC48F	1.00	1.00	0.98
TM8E120C16MP11	XAF/XAUC60G	1.01	1.02	0.97
TM8E120C16MP11	XAF/XAUD60G	0.99	0.95	0.96
TM8E120C16MP11	XAF/XAUD60H	1.02	1.02	0.98
TM8E120C16MP11	XAFC36D	0.99	0.93	0.92
TM8E120C16MP11	XAFC60H	1.02	1.03	0.98
TM8E120C16MP11	XAFD48F	1.00	1.00	0.98
TM8E120C16MP11	XAHC36D	0.98	0.92	0.92
TM8E120C16MP11	XAHC48F	1.00	1.00	0.98
TM8E120C16MP11	XAHC60G	1.01	1.02	0.97
TM8E120C16MP11	XAHC60H	1.02	1.04	0.98
TM8E120C16MP11	XAHD48F	1.00	1.00	0.98
TM8E120C16MP11	XAHD60G	1.01	1.02	0.97
TM8E120C16MP11	XAHD60H	1.01	0.96	0.95
TM8V060A12MP12C	CF/CM/CU36B	0.97	1.06	1.00
TM8V060A12MP12C	CF42B	0.97	1.02	0.98
TM8V060A12MP12C	XAF/XAUB36D	0.98	0.92	0.98
TM8V080B12MP12C	CF/CM/CU36B	0.96	0.98	0.98
TM8V080B12MP12C	CF/CM/CU36B	0.96	0.99	0.98
TM8V080B12MP12C	CF/CM/CU36B	0.96	0.99	0.99
TM8V080B12MP12C	CF/CM/CU36B	0.96	1.00	0.98
TM8V080B12MP12C	XAF/XAUB36D	0.97	0.90	0.98
TM8V080B12MP12C	XAF/XAUC48F	0.98	0.94	1.02
TM8V080B12MP12C	XAF/XAUC60G	0.98	0.95	1.00
TM8V080B12MP12C	XAFC36D	0.97	0.90	0.98
TM8V080B12MP12C	XAFC60H	0.99	0.95	1.01
TM8V080B12MP12C	XAHC36D	0.97	0.90	0.98
TM8V080B12MP12C	XAHC48F	0.98	0.93	1.02
TM8V080B12MP12C	XAHC60G	0.98	0.95	0.98
TM8V080B12MP12C	XAHC60H	0.99	0.96	0.99
TM8V080C16MP12C	CF/CM/CU36B	0.99	1.05	0.98
TM8V080C16MP12C	CF/CM/CU36B	0.99	1.11	0.97
TM8V080C16MP12C	CF/CM/CU36B	0.99	1.13	0.99
TM8V080C16MP12C	XAF/XAUC48F	1.00	0.99	1.00
TM8V080C16MP12C	XAF/XAUC60G	0.99	0.93	0.95
TM8V080C16MP12C	XAF/XAUD60G	1.01	1.01	0.99
TM8V080C16MP12C	XAF/XAUD60H	1.02	1.02	0.98
TM8V080C16MP12C	XAFC36D	1.00	1.01	0.97
TM8V080C16MP12C	XAFC60H	1.02	1.02	0.98
TM8V080C16MP12C	XAFD48F	1.01	1.04	1.03
TM8V080C16MP12C	XAHC36D	1.00	1.01	1.02
TM8V080C16MP12C	XAHC48F	1.00	0.99	1.00
TM8V080C16MP12C	XAHC60G	1.00	0.97	0.96
TM8V080C16MP12C	XAHC60H	1.02	1.05	1.00
TM8V080C16MP12C	XAHD48F	1.00	0.98	1.00
TM8V080C16MP12C	XAHD60G	1.01	1.02	0.99
TM8V080C16MP12C	XAHD60H	1.02	1.02	0.98

FURNACE MULTIPLIERS - 3 TON (Continued)

Furnaces	Coil	T.C.	S.C.	KW
TM8V100C16MP11C	CF/CM/CU36C	0.99	1.12	0.99
TM8V100C16MP11C	CF/CM/CU42C	0.99	1.12	0.98
TM8V100C16MP11C	CF/CM/CU48C	0.99	1.11	0.98
TM8V100C16MP11C	CF/CM/CU60C	1.01	1.12	0.99
TM8V100C16MP11C	CF/CM64D	1.01	1.12	0.97
TM8V100C16MP12C	CF/CM/CU36B	0.99	1.05	0.98
TM8V100C16MP12C	CF/CM/CU36B	0.99	1.11	0.97
TM8V100C16MP12C	CF/CM/CU36B	0.99	1.13	0.99
TM8V100C16MP12C	XAF/XAUC48F	1.00	0.99	1.00
TM8V100C16MP12C	XAF/XAUC60G	0.99	0.93	0.95
TM8V100C16MP12C	XAF/XAUD60G	1.01	1.01	0.99
TM8V100C16MP12C	XAF/XAUD60H	1.02	1.02	0.98
TM8V100C16MP12C	XAFC36D	1.00	1.01	0.97
TM8V100C16MP12C	XAFC60H	1.02	1.02	0.98
TM8V100C16MP12C	XAFD48F	1.01	1.04	1.03
TM8V100C16MP12C	XAHC36D	1.00	1.01	1.02
TM8V100C16MP12C	XAHC48F	1.00	0.99	1.00
TM8V100C16MP12C	XAHC60G	1.00	0.97	0.96
TM8V100C16MP12C	XAHC60H	1.02	1.05	1.00
TM8V100C16MP12C	XAHD48F	1.00	0.98	1.00
TM8V100C16MP12C	XAHD60G	1.01	1.02	0.99
TM8V100C16MP12C	XAHD60H	1.02	1.02	0.98
TM8V100C20MP11C	CF/CM64D	1.01	1.14	0.95
TM8V100C20MP12C	CF/CM/CU36B	1.00	1.06	0.96
TM8V100C20MP12C	CF/CM/CU36B	1.00	1.10	0.96
TM8V100C20MP12C	CF/CM/CU36B	1.00	1.19	0.98
TM8V100C20MP12C	CF/CM64D	1.01	1.14	0.95
TM8V100C20MP12C	XAF/XAUC60G	1.02	1.04	0.98
TM8V100C20MP12C	XAFC60H	1.02	1.05	0.96
TM8V100C20MP12C	XAHC48F	1.01	1.02	0.99
TM8V100C20MP12C	XAHC60G	1.02	1.02	0.96
TM8V100C20MP12C	XAHC60H	1.02	1.05	0.96
TM8V120C20MP11C	CF/CM/CU36C	0.99	1.12	0.95
TM8V120C20MP11C	CF/CM/CU42C	1.01	1.14	0.97
TM8V120C20MP11C	CF/CM/CU48C	1.00	1.12	0.96
TM8V120C20MP11C	CF/CM/CU60C	1.01	1.15	0.97
TM8V120C20MP11C	CF/CM64D	1.01	1.14	0.95
TM8V120C20MP12C	CF/CM/CU36B	1.00	1.06	0.96
TM8V120C20MP12C	CF/CM/CU36B	1.00	1.10	0.96
TM8V120C20MP12C	CF/CM/CU36B	1.00	1.19	0.98
TM8V120C20MP12C	CF/CM64D	1.01	1.14	0.95
TM8V120C20MP12C	XAF/XAUC60G	1.02	1.04	0.98
TM8V120C20MP12C	XAFC60H	1.02	1.05	0.96
TM8V120C20MP12C	XAHC48F	1.01	1.02	0.99
TM8V120C20MP12C	XAHC60G	1.02	1.02	0.96
TM8V120C20MP12C	XAHC60H	1.02	1.05	0.96
TM8X060A12MP11	CF/CM/CU36B	0.97	1.05	1.01
TM8X060A12MP11	CF42B	0.98	1.05	1.00
TM8X080B12MP11	CF/CM/CU36B	0.96	0.98	0.96
TM8X080B12MP11	CF/CM/CU36C	0.98	1.09	1.00
TM8X080B12MP11	CF/CM/CU42C	0.99	1.09	1.01
TM8X080B12MP11	CF/CM/CU48C	0.99	1.10	0.99
TM8X080B12MP11	CF/CM/CU60C	0.99	1.04	0.99
TM8X080B12MP11	CF42B	0.98	1.05	0.98
TM8X080C16MP11	CF/CM/CU36C	0.98	1.08	0.95
TM8X080C16MP11	CF/CM/CU42C	0.99	1.06	0.96

FURNACE MULTIPLIERS - 3 TON (Continued)

Furnaces	Coil	T.C.	S.C.	KW
TM8X080C16MP11	CF/CM/CU48C	0.99	1.09	0.95
TM8X080C16MP11	CF/CM/CU48D	0.99	1.09	0.95
TM8X080C16MP11	CF/CM/CU60C	0.99	1.05	0.96
TM8X080C16MP11	CF/CM/CU60D	1.01	1.12	1.01
TM8X080C16MP11	CF/CM36D	0.98	1.09	0.97
TM8X080C16MP11	CF/CM42D	1.00	1.08	0.96
TM8X080C16MP11	CF/CM64D	1.01	1.07	0.95
TM8X100C16MP11	CF/CM/CU36C	0.98	1.08	0.95
TM8X100C16MP11	CF/CM/CU42C	0.99	1.06	0.96
TM8X100C16MP11	CF/CM/CU48C	0.99	1.09	0.95
TM8X100C16MP11	CF/CM/CU48D	0.99	1.09	0.95
TM8X100C16MP11	CF/CM/CU60C	0.99	1.05	0.96
TM8X100C16MP11	CF/CM/CU60D	1.01	1.12	1.01
TM8X100C16MP11	CF/CM36D	0.98	1.09	0.97
TM8X100C16MP11	CF/CM42D	1.00	1.08	0.96
TM8X100C16MP11	CF/CM64D	1.01	1.07	0.95
TM8X100C20MP11	CF/CM/CU36C	0.99	1.12	0.95
TM8X100C20MP11	CF/CM/CU42C	1.01	1.17	0.99
TM8X100C20MP11	CF/CM/CU48C	1.00	1.12	0.95
TM8X100C20MP11	CF/CM/CU48D	1.01	1.12	0.97
TM8X100C20MP11	CF/CM/CU60C	1.01	1.05	0.95
TM8X100C20MP11	CF/CM/CU60D	1.01	1.08	0.97
TM8X100C20MP11	CF/CM36D	0.99	1.12	0.96
TM8X100C20MP11	CF/CM42D	1.00	1.12	0.96
TM8X100C20MP11	CF/CM64D	1.01	1.10	0.94
TM8X120C20MP11	CF/CM/CU36C	0.99	1.12	0.95
TM8X120C20MP11	CF/CM/CU42C	1.01	1.17	0.99
TM8X120C20MP11	CF/CM/CU48C	1.00	1.12	0.95
TM8X120C20MP11	CF/CM/CU48D	1.01	1.12	0.97
TM8X120C20MP11	CF/CM/CU60C	1.01	1.05	0.95
TM8X120C20MP11	CF/CM/CU60D	1.01	1.08	0.97
TM8X120C20MP11	CF/CM36D	0.99	1.12	0.96
TM8X120C20MP11	CF/CM42D	1.00	1.12	0.96
TM8X120C20MP11	CF/CM64D	1.01	1.10	0.94
TM8Y060A12MP11	CF/CM/CU36B	0.97	1.05	1.01
TM8Y060A12MP11	CF42B	0.98	1.05	1.00
TM8Y060A12MP11	XAF/XAUB36D	0.98	0.94	1.00
TM8Y060A12MP11	XAHB36D	0.98	0.93	1.00
TM8Y080B12MP11	CF/CM/CU36B	0.96	0.98	0.96
TM8Y080B12MP11	CF/CM/CU36C	0.98	1.09	1.00
TM8Y080B12MP11	CF/CM/CU42C	0.99	1.09	1.01
TM8Y080B12MP11	CF/CM/CU48C	0.99	1.10	0.99
TM8Y080B12MP11	CF/CM/CU60C	0.99	1.04	0.99
TM8Y080B12MP11	CF42B	0.98	1.05	0.98
TM8Y080B12MP11	XAF/XAUB36D	0.99	0.96	1.01
TM8Y080B12MP11	XAF/XAUC48F	0.99	0.95	0.99
TM8Y080B12MP11	XAF/XAUC60G	0.98	0.90	0.96
TM8Y080B12MP11	XAFC36D	0.99	0.96	0.99
TM8Y080B12MP11	XAFC60H	1.01	1.00	0.99
TM8Y080B12MP11	XAHB36D	0.98	0.95	1.00
TM8Y080B12MP11	XAHC36D	0.99	0.95	1.01
TM8Y080B12MP11	XAHC48F	0.99	0.96	0.99
TM8Y080B12MP11	XAHC60G	0.98	0.91	0.94
TM8Y080B12MP11	XAHC60H	1.01	1.01	0.99
TM8Y080C16MP11	CF/CM/CU36C	0.98	1.08	0.95
TM8Y080C16MP11	CF/CM/CU42C	0.99	1.06	0.96

FURNACE MULTIPLIERS - 3 TON (Continued)

Furnaces	Coil	T.C.	S.C.	KW
TM8Y080C16MP11	CF/CM/CU48C	0.99	1.09	0.95
TM8Y080C16MP11	CF/CM/CU48D	0.99	1.09	0.95
TM8Y080C16MP11	CF/CM/CU60C	0.99	1.05	0.96
TM8Y080C16MP11	CF/CM/CU60D	1.01	1.12	1.01
TM8Y080C16MP11	CF/CM36D	0.98	1.09	0.97
TM8Y080C16MP11	CF/CM42D	1.00	1.08	0.96
TM8Y080C16MP11	CF/CM64D	1.01	1.07	0.95
TM8Y080C16MP11	XAF/XAUC48F	1.01	1.03	1.01
TM8Y080C16MP11	XAF/XAUC60G	1.01	0.98	0.95
TM8Y080C16MP11	XAF/XAUD60G	1.01	0.98	0.95
TM8Y080C16MP11	XAF/XAUD60H	1.01	0.98	0.96
TM8Y080C16MP11	XAFC36D	1.00	1.02	1.00
TM8Y080C16MP11	XAFC60H	1.02	1.05	1.00
TM8Y080C16MP11	XAFD48F	1.01	1.02	1.01
TM8Y080C16MP11	XAHC36D	1.00	1.02	1.00
TM8Y080C16MP11	XAHC48F	1.01	1.03	1.01
TM8Y080C16MP11	XAHC60G	1.02	1.05	1.00
TM8Y080C16MP11	XAHC60H	1.02	1.08	0.97
TM8Y080C16MP11	XAHD48F	1.01	1.02	1.01
TM8Y080C16MP11	XAHD60G	1.00	0.97	0.96
TM8Y080C16MP11	XAHD60H	1.01	0.98	0.96
TM8Y100C16MP11	CF/CM/CU36C	0.98	1.08	0.95
TM8Y100C16MP11	CF/CM/CU42C	0.99	1.06	0.96
TM8Y100C16MP11	CF/CM/CU48C	0.99	1.09	0.95
TM8Y100C16MP11	CF/CM/CU48D	0.99	1.09	0.95
TM8Y100C16MP11	CF/CM/CU60C	0.99	1.05	0.96
TM8Y100C16MP11	CF/CM/CU60D	1.01	1.12	1.01
TM8Y100C16MP11	CF/CM36D	0.98	1.09	0.97
TM8Y100C16MP11	CF/CM42D	1.00	1.08	0.96
TM8Y100C16MP11	CF/CM64D	1.01	1.07	0.95
TM8Y100C16MP11	XAF/XAUC48F	1.01	1.03	1.01
TM8Y100C16MP11	XAF/XAUC60G	1.01	0.98	0.95
TM8Y100C16MP11	XAF/XAUD60G	1.01	0.98	0.95
TM8Y100C16MP11	XAF/XAUD60H	1.01	0.98	0.96
TM8Y100C16MP11	XAFC36D	1.00	1.02	1.00
TM8Y100C16MP11	XAFC60H	1.02	1.05	1.00
TM8Y100C16MP11	XAFD48F	1.01	1.02	1.01
TM8Y100C16MP11	XAHC36D	1.00	1.02	1.00
TM8Y100C16MP11	XAHC48F	1.01	1.03	1.01
TM8Y100C16MP11	XAHC60G	1.02	1.05	1.00
TM8Y100C16MP11	XAHC60H	1.02	1.08	0.97
TM8Y100C16MP11	XAHD48F	1.01	1.02	1.01
TM8Y100C16MP11	XAHD60G	1.00	0.97	0.96
TM8Y100C16MP11	XAHD60H	1.01	0.98	0.96
TM8Y100C20MP11	CF/CM/CU36C	0.99	1.12	0.95
TM8Y100C20MP11	CF/CM/CU42C	1.01	1.17	0.99
TM8Y100C20MP11	CF/CM/CU48C	1.00	1.12	0.95
TM8Y100C20MP11	CF/CM/CU48D	1.01	1.12	0.97
TM8Y100C20MP11	CF/CM/CU60C	1.01	1.05	0.95
TM8Y100C20MP11	CF/CM/CU60D	1.01	1.08	0.97
TM8Y100C20MP11	CF/CM36D	0.99	1.12	0.96
TM8Y100C20MP11	CF/CM42D	1.00	1.12	0.96
TM8Y100C20MP11	CF/CM64D	1.01	1.10	0.94
TM8Y100C20MP11	XAF/XAUC48F	1.00	0.97	0.96
TM8Y100C20MP11	XAF/XAUC60G	1.02	1.05	0.98
TM8Y100C20MP11	XAF/XAUD60G	1.02	1.04	0.98

FURNACE MULTIPLIERS - 3 TON (Continued)

Furnaces	Coil	T.C.	S.C.	KW
TM8Y100C20MP11	XAF/XAUD60H	1.02	1.05	0.98
TM8Y100C20MP11	XAFC36D	1.01	1.02	0.99
TM8Y100C20MP11	XAFC60H	1.02	1.05	0.96
TM8Y100C20MP11	XAFD48F	1.00	0.96	0.96
TM8Y100C20MP11	XAHC36D	1.01	1.02	0.99
TM8Y100C20MP11	XAHC48F	1.00	0.97	0.96
TM8Y100C20MP11	XAHC60G	1.02	1.05	0.98
TM8Y100C20MP11	XAHC60H	1.02	1.05	0.96
TM8Y100C20MP11	XAHD48F	1.00	0.96	0.96
TM8Y100C20MP11	XAHD60G	1.02	1.04	0.98
TM8Y100C20MP11	XAHD60H	1.02	1.05	0.98
TM8Y120C20MP11	CF/CM/CU36C	0.99	1.12	0.95
TM8Y120C20MP11	CF/CM/CU42C	1.01	1.17	0.99
TM8Y120C20MP11	CF/CM/CU48C	1.00	1.12	0.95
TM8Y120C20MP11	CF/CM/CU48D	1.01	1.12	0.97
TM8Y120C20MP11	CF/CM/CU60C	1.01	1.05	0.95
TM8Y120C20MP11	CF/CM/CU60D	1.01	1.08	0.97
TM8Y120C20MP11	CF/CM36D	0.99	1.12	0.96
TM8Y120C20MP11	CF/CM42D	1.00	1.12	0.96
TM8Y120C20MP11	CF/CM64D	1.01	1.10	0.94
TM8Y120C20MP11	XAF/XAUC48F	1.00	0.97	0.96
TM8Y120C20MP11	XAF/XAUC60G	1.02	1.05	0.98
TM8Y120C20MP11	XAF/XAUD60G	1.02	1.04	0.98
TM8Y120C20MP11	XAF/XAUD60H	1.02	1.05	0.98
TM8Y120C20MP11	XAFC36D	1.01	1.02	0.99
TM8Y120C20MP11	XAFC60H	1.02	1.05	0.96
TM8Y120C20MP11	XAFD48F	1.00	0.96	0.96
TM8Y120C20MP11	XAHC36D	1.01	1.02	0.99
TM8Y120C20MP11	XAHC48F	1.00	0.97	0.96
TM8Y120C20MP11	XAHC60G	1.02	1.05	0.98
TM8Y120C20MP11	XAHC60H	1.02	1.05	0.96
TM8Y120C20MP11	XAHD48F	1.00	0.96	0.96
TM8Y120C20MP11	XAHD60G	1.02	1.04	0.98
TM8Y120C20MP11	XAHD60H	1.02	1.05	0.98
TM9E060A10MP12	CF/CM/CU36B	0.96	1.01	1.00
TM9E060A10MP12	CF42B	0.96	1.00	1.00
TM9E060A10MP12	XAF/XAUB36D	0.97	0.91	0.99
TM9E060A10MP12	XAHB36D	0.97	0.90	1.00
TM9E060B12MP11	CF/CM/CU36B	0.95	0.96	0.97
TM9E060B12MP11	CF/CM/CU36C	0.96	0.99	0.97
TM9E060B12MP11	CF/CM/CU42C	0.98	1.05	1.02
TM9E060B12MP11	CF/CM/CU48C	0.97	0.98	0.97
TM9E060B12MP11	CF/CM/CU60C	0.97	1.04	1.01
TM9E060B12MP11	CF42B	0.97	1.03	1.00
TM9E060B12MP12	CF/CM/CU36B	0.97	1.02	0.98
TM9E060B12MP12	CF/CM/CU36C	0.97	1.04	1.01
TM9E060B12MP12	CF/CM/CU42C	0.97	1.04	0.99
TM9E060B12MP12	CF/CM/CU48C	0.97	1.05	0.99
TM9E060B12MP12	CF/CM/CU60C	0.98	1.02	1.00
TM9E060B12MP12	CF42B	0.97	1.01	0.98
TM9E060B12MP12	XAF/XAUB36D	0.97	0.92	0.99
TM9E060B12MP12	XAF/XAUC48F	0.98	0.92	1.00
TM9E060B12MP12	XAF/XAUC60G	0.97	0.89	0.97
TM9E060B12MP12	XAFC36D	0.97	0.92	0.99
TM9E060B12MP12	XAFC60H	1.00	1.01	1.02
TM9E060B12MP12	XAHB36D	0.97	0.91	1.00

FURNACE MULTIPLIERS - 3 TON (Continued)

Furnaces	Coil	T.C.	S.C.	KW
TM9E060B12MP12	XAHC36D	0.97	0.92	0.99
TM9E060B12MP12	XAHC48F	0.97	0.87	0.97
TM9E060B12MP12	XAHC60G	0.97	0.89	0.97
TM9E060B12MP12	XAHC60H	0.99	0.96	0.98
TM9E080B12MP11	CF/CM/CU36B	0.96	0.98	0.96
TM9E080B12MP11	CF/CM/CU36C	0.97	1.08	0.99
TM9E080B12MP11	CF/CM/CU42C	0.97	1.00	0.95
TM9E080B12MP11	CF/CM/CU48C	0.97	1.01	0.95
TM9E080B12MP11	CF/CM/CU60C	0.97	0.98	0.95
TM9E080B12MP11	CF42B	0.97	0.98	0.95
TM9E080B12MP12	CF/CM/CU36B	0.97	1.02	0.97
TM9E080B12MP12	CF/CM/CU36C	0.97	1.02	0.97
TM9E080B12MP12	CF/CM/CU42C	0.98	1.03	0.98
TM9E080B12MP12	CF/CM/CU48C	0.98	1.04	0.98
TM9E080B12MP12	CF/CM/CU60C	0.98	1.01	0.98
TM9E080B12MP12	CF42B	0.97	1.00	0.97
TM9E080B12MP12	XAF/XAUB36D	0.98	0.98	1.02
TM9E080B12MP12	XAF/XAUC48F	0.99	1.01	1.05
TM9E080B12MP12	XAF/XAUC60G	0.99	0.94	0.97
TM9E080B12MP12	XAFC36D	0.98	0.98	1.02
TM9E080B12MP12	XAFC60H	0.99	0.95	0.96
TM9E080B12MP12	XAHB36D	0.97	0.91	0.94
TM9E080B12MP12	XAHC36D	0.98	0.91	0.98
TM9E080B12MP12	XAHC48F	0.98	0.92	0.96
TM9E080B12MP12	XAHC60G	0.98	0.90	0.96
TM9E080B12MP12	XAHC60H	1.01	1.02	1.01
TM9E080C16MP11	CF/CM/CU36C	0.96	0.99	0.94
TM9E080C16MP11	CF/CM/CU42C	0.99	1.11	1.01
TM9E080C16MP11	CF/CM/CU48C	0.97	0.99	0.94
TM9E080C16MP11	CF/CM/CU48D	0.97	0.99	0.94
TM9E080C16MP11	CF/CM/CU60C	0.99	1.06	0.99
TM9E080C16MP11	CF/CM/CU60D	1.00	1.07	1.00
TM9E080C16MP11	CF/CM36D	0.96	0.99	0.94
TM9E080C16MP11	CF/CM42D	0.97	0.98	0.93
TM9E080C16MP11	CF/CM64D	1.01	1.12	0.99
TM9E080C16MP12	CF/CM/CU36C	0.97	1.02	0.95
TM9E080C16MP12	CF/CM/CU42C	0.98	1.03	0.94
TM9E080C16MP12	CF/CM/CU48C	0.98	1.06	0.95
TM9E080C16MP12	CF/CM/CU48D	1.01	1.11	1.01
TM9E080C16MP12	CF/CM/CU60C	1.00	1.07	0.98
TM9E080C16MP12	CF/CM/CU60D	1.00	1.07	1.00
TM9E080C16MP12	CF/CM36D	0.99	1.12	1.01
TM9E080C16MP12	CF/CM42D	0.99	1.12	0.99
TM9E080C16MP12	CF/CM64D	1.01	1.12	0.99
TM9E080C16MP12	XAF/XAUC48F	0.98	0.92	0.92
TM9E080C16MP12	XAF/XAUC60G	0.99	0.94	0.95
TM9E080C16MP12	XAF/XAUD60G	1.00	1.00	0.98
TM9E080C16MP12	XAF/XAUD60H	1.00	0.95	0.96
TM9E080C16MP12	XAFC36D	0.98	0.98	0.98
TM9E080C16MP12	XAFC60H	1.00	0.95	0.95
TM9E080C16MP12	XAFD48F	0.98	0.92	0.96
TM9E080C16MP12	XAHC36D	0.98	0.92	0.96
TM9E080C16MP12	XAHC48F	1.00	0.98	1.00
TM9E080C16MP12	XAHC60G	0.99	0.95	0.96
TM9E080C16MP12	XAHC60H	1.01	0.97	0.95
TM9E080C16MP12	XAHD48F	0.98	0.92	0.96

FURNACE MULTIPLIERS - 3 TON (Continued)

Furnaces	Coil	T.C.	S.C.	KW
TM9E080C16MP12	XAHD60G	0.99	0.95	0.97
TM9E080C16MP12	XAHD60H	1.00	0.95	0.96
TM9E080C20MP12	XAF/XAUC48F	1.01	1.03	1.01
TM9E080C20MP12	XAFC36D	1.01	1.04	1.01
TM9E080C20MP12	XAHD48F	1.01	1.02	1.01
TM9E080C20MP12	XAHD60G	1.02	1.05	1.00
TM9E100C16MP11	CF/CM/CU36C	0.99	1.12	1.01
TM9E100C16MP11	CF/CM/CU42C	0.99	1.12	0.99
TM9E100C16MP11	CF/CM/CU48C	1.01	1.11	0.99
TM9E100C16MP11	CF/CM/CU48D	1.00	1.15	1.00
TM9E100C16MP11	CF/CM/CU60C	1.00	1.07	0.98
TM9E100C16MP11	CF/CM/CU60D	1.01	1.09	0.99
TM9E100C16MP11	CF/CM36D	0.99	1.12	0.99
TM9E100C16MP11	CF/CM42D	1.01	1.13	0.99
TM9E100C16MP11	CF/CM64D	1.01	1.12	0.97
TM9E100C16MP12	CF/CM/CU36C	0.99	1.12	0.99
TM9E100C16MP12	CF/CM/CU42C	0.99	1.12	0.99
TM9E100C16MP12	CF/CM/CU48C	1.01	1.11	0.99
TM9E100C16MP12	CF/CM/CU48D	1.00	1.15	1.00
TM9E100C16MP12	CF/CM/CU60C	1.00	1.07	0.98
TM9E100C16MP12	CF/CM/CU60D	1.01	1.09	0.99
TM9E100C16MP12	CF/CM36D	0.99	1.12	0.99
TM9E100C16MP12	CF/CM42D	1.01	1.13	0.99
TM9E100C16MP12	CF/CM64D	1.01	1.12	0.97
TM9E100C16MP12	CF/CM/CU36C	0.99	1.12	0.99
TM9E100C16MP12	CF/CM/CU42C	0.99	1.12	0.99
TM9E100C16MP12	CF/CM/CU48C	1.01	1.11	0.99
TM9E100C16MP12	CF/CM/CU48D	1.00	1.15	1.00
TM9E100C16MP12	CF/CM/CU60C	1.00	1.07	0.98
TM9E100C16MP12	CF/CM/CU60D	1.01	1.09	0.99
TM9E100C16MP12	CF/CM36D	0.96	1.05	1.00
TM9E100C16MP12	CF/CM42D	1.01	1.13	1.01
TM9E100C16MP12	CF/CM64D	1.01	1.12	0.99
TM9E100C16MP12	XAF/XAUC48F	1.00	0.98	1.00
TM9E100C16MP12	XAF/XAUC60G	0.99	0.94	0.95
TM9E100C16MP12	XAF/XAUD60G	1.01	1.02	0.99
TM9E100C16MP12	XAF/XAUD60H	1.02	1.02	1.00
TM9E100C16MP12	XAFC36D	1.00	0.99	1.00
TM9E100C16MP12	XAFC60H	1.00	0.95	0.95
TM9E100C16MP12	XAFD48F	1.00	0.98	1.00
TM9E100C16MP12	XAHC36D	0.99	0.98	0.99
TM9E100C16MP12	XAHC48F	1.00	0.98	1.00
TM9E100C16MP12	XAHC60G	1.01	1.02	0.99
TM9E100C16MP12	XAHC60H	1.02	1.03	0.98
TM9E100C16MP12	XAHD48F	1.00	0.98	1.00
TM9E100C16MP12	XAHD60G	0.99	0.94	0.95
TM9E100C16MP12	XAHD60H	1.02	1.02	0.98
TM9E100C20MP12	XAF/XAUC48F	1.01	1.03	0.96
TM9E100C20MP12	XAF/XAUC60G	1.02	1.05	1.00
TM9E100C20MP12	XAF/XAUD60G	1.02	1.05	0.98
TM9E100C20MP12	XAF/XAUD60H	1.02	1.05	0.98
TM9E100C20MP12	XAFC36D	1.01	1.03	1.01
TM9E100C20MP12	XAFD48F	1.01	1.02	0.99
TM9E100C20MP12	XAHC36D	1.01	1.04	1.01
TM9E100C20MP12	XAHC48F	1.01	1.03	0.96
TM9E100C20MP12	XAHD48F	1.01	1.02	0.99
TM9E100C20MP12	XAHD60G	1.02	1.06	0.96
TM9E100C20MP12	XAHD60H	1.02	1.05	0.98
TM9E120D20MP11	CF/CM/CU48D	1.01	1.12	0.95
TM9E120D20MP11	CF/CM/CU60D	1.01	1.12	0.99
TM9E120D20MP11	CF/CM36D	0.99	1.12	0.95
TM9E120D20MP11	CF/CM42D	1.00	1.12	0.96
TM9E120D20MP11	CF/CM64D	1.01	1.10	0.94
TM9V040A10MP11C	CF/CM/CU36B	0.94	0.96	1.00
TM9V040A10MP11C	CF42B	0.95	0.95	1.01

FURNACE MULTIPLIERS - 3 TON (Continued)

Furnaces	Coil	T.C.	S.C.	KW
TM9V040A10MP12C	CF/CM/CU36B	0.94	0.96	1.00
TM9V040A10MP12C	CF42B	0.95	0.95	1.01
TM9V060B12MP11C	CF/CM/CU36B	0.97	1.03	1.00
TM9V060B12MP11C	CF42B	0.97	1.03	1.00
TM9V060B12MP12C	CF/CM/CU36B	0.97	1.04	1.00
TM9V060B12MP12C	CF/CM/CU36B	0.97	1.05	1.00
TM9V060B12MP12C	XAF/XAUB36D	0.98	0.95	1.02
TM9V060B12MP12C	XAF/XAUC48F	0.98	0.92	1.00
TM9V060B12MP12C	XAF/XAUC60G	0.98	0.95	0.98
TM9V060B12MP12C	XAFC36D	0.98	0.94	1.02
TM9V060B12MP12C	XAFC60H	0.98	0.92	0.96
TM9V060B12MP12C	XAHB36D	0.97	0.92	1.00
TM9V060B12MP12C	XAHC36D	0.98	0.95	1.02
TM9V060B12MP12C	XAHC48F	0.98	0.92	1.00
TM9V060B12MP12C	XAHC60G	0.98	0.91	0.96
TM9V060B12MP12C	XAHC60H	0.98	0.92	0.96
TM9V080B12MP11C	CF/CM/CU36B	0.96	0.98	0.96
TM9V080B12MP11C	CF42B	0.97	1.02	0.97
TM9V080B12MP12C	CF/CM/CU36B	0.98	1.09	1.00
TM9V080B12MP12C	CF/CM/CU36B	0.98	1.11	1.02
TM9V080B12MP12C	XAF/XAUB36D	0.97	0.89	0.97
TM9V080B12MP12C	XAF/XAUC48F	0.97	0.88	0.95
TM9V080B12MP12C	XAF/XAUC60G	0.99	0.98	0.98
TM9V080B12MP12C	XAFC36D	0.97	0.89	0.95
TM9V080B12MP12C	XAFC60H	1.01	1.02	1.01
TM9V080B12MP12C	XAHB36D	0.97	0.89	0.97
TM9V080B12MP12C	XAHC36D	0.97	0.89	0.97
TM9V080B12MP12C	XAHC48F	0.98	0.92	0.98
TM9V080B12MP12C	XAHC60G	0.99	0.97	0.98
TM9V080B12MP12C	XAHC60H	0.99	0.94	0.96
TM9V080C16MP11C	CF/CM/CU36C	0.98	1.05	0.96
TM9V080C16MP11C	CF/CM/CU42C	1.00	1.12	1.00
TM9V080C16MP11C	CF/CM/CU48C	0.99	1.11	0.99
TM9V080C16MP11C	CF/CM/CU48D	0.99	1.11	0.99
TM9V080C16MP11C	CF/CM/CU60C	1.00	1.09	1.00
TM9V080C16MP11C	CF/CM/CU60D	1.01	1.09	1.01
TM9V080C16MP11C	CF/CM36D	0.98	1.05	0.98
TM9V080C16MP11C	CF/CM42D	1.00	1.12	1.00
TM9V080C16MP11C	CF/CM64D	1.01	1.12	0.99
TM9V080C16MP12C	CF/CM/CU36C	0.98	1.05	0.96
TM9V080C16MP12C	CF/CM/CU42C	1.00	1.12	1.00
TM9V080C16MP12C	CF/CM/CU48C	0.99	1.11	0.99
TM9V080C16MP12C	CF/CM/CU48D	0.99	1.11	0.99
TM9V080C16MP12C	CF/CM/CU60C	1.00	1.09	1.00
TM9V080C16MP12C	CF/CM/CU60D	1.01	1.09	1.01
TM9V080C16MP12C	CF/CM36D	0.98	1.05	0.98
TM9V080C16MP12C	CF/CM42D	1.00	1.12	1.00
TM9V080C16MP12C	CF/CM64D	1.01	1.12	0.99
TM9V080C16MP12C	XAF/XAUC48F	1.00	1.01	1.02
TM9V080C16MP12C	XAF/XAUC60G	1.00	1.00	0.98
TM9V080C16MP12C	XAF/XAUD60G	1.01	1.02	1.01
TM9V080C16MP12C	XAF/XAUD60H	1.01	1.01	0.99
TM9V080C16MP12C	XAFC36D	0.99	0.99	1.01
TM9V080C16MP12C	XAFC60H	1.01	1.02	0.99
TM9V080C16MP12C	XAFD48F	1.00	1.00	1.02
TM9V080C16MP12C	XAHC36D	0.99	0.99	1.01

FURNACE MULTIPLIERS - 3 TON (Continued)

Furnaces	Coil	T.C.	S.C.	KW
TM9V080C16MP12C	XAHC48F	1.00	1.00	1.02
TM9V080C16MP12C	XAHC60G	0.99	0.96	0.98
TM9V080C16MP12C	XAHC60H	1.01	0.97	0.95
TM9V080C16MP12C	XAHD48F	1.00	1.00	1.02
TM9V080C16MP12C	XAHD60G	1.00	1.00	1.00
TM9V080C16MP12C	XAHD60H	1.01	1.01	0.99
TM9V100C16MP11C	CF/CM/CU36C	0.98	1.11	0.97
TM9V100C16MP11C	CF/CM/CU42C	1.00	1.09	0.96
TM9V100C16MP11C	CF/CM/CU48C	0.99	1.12	0.96
TM9V100C16MP11C	CF/CM/CU60C	1.01	1.11	0.97
TM9V100C16MP11C	CF/CM64D	1.01	1.12	0.95
TM9V100C16MP12C	CF/CM/CU36B	0.99	1.06	0.97
TM9V100C16MP12C	CF/CM/CU36B	1.00	1.12	0.98
TM9V100C16MP12C	CF/CM/CU36B	1.00	1.13	0.98
TM9V100C16MP12C	XAF/XAUC48F	1.01	1.00	0.95
TM9V100C16MP12C	XAF/XAUC60G	1.01	1.00	0.97
TM9V100C16MP12C	XAF/XAUD60G	1.01	0.99	0.99
TM9V100C16MP12C	XAF/XAUD60H	1.02	1.00	0.96
TM9V100C16MP12C	XAFC36D	0.99	0.97	0.98
TM9V100C16MP12C	XAFC60H	1.02	1.01	0.96
TM9V100C16MP12C	XAFD48F	1.01	0.99	0.99
TM9V100C16MP12C	XAHC36D	0.98	0.90	0.91
TM9V100C16MP12C	XAHC48F	1.01	1.00	0.99
TM9V100C16MP12C	XAHC60G	1.01	0.98	0.95
TM9V100C16MP12C	XAHC60H	1.02	1.02	0.96
TM9V100C16MP12C	XAHD48F	1.01	0.99	0.99
TM9V100C16MP12C	XAHD60G	1.01	1.02	0.97
TM9V100C16MP12C	XAHD60H	1.02	1.00	0.96
TM9V100C20MP11C	CF/CM/CU36C	0.99	1.12	0.99
TM9V100C20MP11C	CF/CM/CU42C	1.00	1.13	0.98
TM9V100C20MP11C	CF/CM/CU48C	1.01	1.11	0.97
TM9V100C20MP11C	CF/CM/CU60C	1.01	1.13	0.99
TM9V100C20MP11C	CF/CM64D	1.01	1.12	0.97
TM9V100C20MP12C	CF/CM/CU36B	1.00	1.08	0.98
TM9V100C20MP12C	CF/CM/CU36B	1.00	1.11	0.98
TM9V100C20MP12C	CF/CM/CU36B	1.00	1.15	1.00
TM9V100C20MP12C	XAF/XAUC48F	1.00	0.99	1.00
TM9V100C20MP12C	XAF/XAUC60G	1.01	1.02	0.99
TM9V100C20MP12C	XAF/XAUD60G	1.01	1.01	0.97
TM9V100C20MP12C	XAF/XAUD60H	1.02	1.02	0.98
TM9V100C20MP12C	XAFC36D	1.00	1.02	1.00
TM9V100C20MP12C	XAFC60H	1.02	1.02	0.98
TM9V100C20MP12C	XAFD48F	1.00	0.98	0.98
TM9V100C20MP12C	XAHC36D	1.00	1.03	0.99
TM9V100C20MP12C	XAHC48F	1.00	0.99	1.00
TM9V100C20MP12C	XAHC60G	1.01	1.02	0.97
TM9V100C20MP12C	XAHC60H	1.02	1.02	0.98
TM9V100C20MP12C	XAHD48F	1.00	0.98	1.00
TM9V100C20MP12C	XAHD60G	1.01	1.02	0.99
TM9V100C20MP12C	XAHD60H	1.02	1.02	0.98
TM9V120D20MP11C	CF/CM/CU48D	1.01	1.12	0.95
TM9V120D20MP11C	CF/CM/CU60D	1.01	1.14	0.95
TM9V120D20MP11C	CF/CM24C	0.99	1.12	0.95
TM9V120D20MP11C	CF/CM30C	1.01	1.13	0.95
TM9V120D20MP11C	CF/CM64D	1.01	1.12	0.95
TM9V120D20MP12C	XAF/XAUD60G	1.01	1.01	0.96

FURNACE MULTIPLIERS - 3 TON (Continued)

Furnaces	Coil	T.C.	S.C.	KW
TM9V120D20MP12C	XAF/XAUD60H	1.02	1.05	0.98
TM9V120D20MP12C	XAFD48F	1.02	1.05	1.02
TM9V120D20MP12C	XAHD48F	1.01	1.04	1.01
TM9V120D20MP12C	XAHD60G	1.02	1.05	0.98
TM9V120D20MP12C	XAHD60H	1.02	1.02	0.96
TM9Y060B12MP11	CF/CM/CU36B	0.95	0.96	0.97
TM9Y060B12MP11	CF/CM/CU36C	0.96	0.99	0.97
TM9Y060B12MP11	CF/CM/CU42C	0.98	1.05	1.02
TM9Y060B12MP11	CF/CM/CU48C	0.97	0.98	0.97
TM9Y060B12MP11	CF/CM/CU60C	0.97	1.04	1.01
TM9Y060B12MP11	CF42B	0.97	1.03	1.00
TM9Y060B12MP11	XAF/XAUB36D	0.98	0.95	1.02
TM9Y060B12MP11	XAF/XAUC48F	0.98	0.93	1.00
TM9Y060B12MP11	XAF/XAUC60G	0.97	0.89	0.97
TM9Y060B12MP11	XAFC36D	0.98	0.94	1.02
TM9Y060B12MP11	XAFC60H	0.98	0.90	0.96
TM9Y060B12MP11	XAHB36D	0.97	0.92	1.00
TM9Y060B12MP11	XAHC36D	0.98	0.94	1.02
TM9Y060B12MP11	XAHC48F	0.98	0.93	1.00
TM9Y060B12MP11	XAHC60G	0.99	0.97	0.99
TM9Y060B12MP11	XAHC60H	1.00	0.98	1.02
TM9Y080B12MP11	XAF/XAUB36D	0.97	0.89	0.95
TM9Y080B12MP11	XAF/XAUC48F	0.98	0.95	1.00
TM9Y080B12MP11	XAF/XAUC60G	0.99	0.98	0.99
TM9Y080B12MP11	XAFC36D	0.97	0.89	0.95
TM9Y080B12MP11	XAFC60H	0.99	0.92	0.95
TM9Y080B12MP11	XAHB36D	0.98	0.95	1.02
TM9Y080B12MP11	XAHC36D	0.98	0.95	1.00
TM9Y080B12MP11	XAHC48F	0.99	0.95	1.01
TM9Y080B12MP11	XAHC60G	0.98	0.92	0.95
TM9Y080B12MP11	XAHC60H	0.99	0.93	0.96
TM9Y080C16MP11	CF/CM/CU36C	0.96	0.99	0.94
TM9Y080C16MP11	CF/CM/CU42C	0.99	1.11	1.01
TM9Y080C16MP11	CF/CM/CU48C	0.97	0.99	0.94
TM9Y080C16MP11	CF/CM/CU48D	0.97	0.99	0.94
TM9Y080C16MP11	CF/CM/CU60C	0.99	1.06	0.99
TM9Y080C16MP11	CF/CM/CU60D	1.00	1.07	1.00
TM9Y080C16MP11	CF/CM36D	0.96	0.99	0.94
TM9Y080C16MP11	CF/CM42D	0.97	0.98	0.93
TM9Y080C16MP11	CF/CM64D	1.01	1.12	0.99
TM9Y080C16MP11	XAF/XAUC48F	0.99	0.94	0.97
TM9Y080C16MP11	XAF/XAUC60G	0.99	0.96	0.96
TM9Y080C16MP11	XAF/XAUD60G	0.97	0.89	0.92
TM9Y080C16MP11	XAF/XAUD60H	1.02	1.06	1.04
TM9Y080C16MP11	XAFC36D	1.00	1.03	1.06
TM9Y080C16MP11	XAFC60H	1.02	1.07	1.04
TM9Y080C16MP11	XAFD48F	1.00	0.98	1.00
TM9Y080C16MP11	XAHC36D	0.98	0.93	0.98
TM9Y080C16MP11	XAHC48F	1.00	0.99	1.00
TM9Y080C16MP11	XAHC60G	0.98	0.92	0.95
TM9Y080C16MP11	XAHC60H	1.01	0.98	0.97
TM9Y080C16MP11	XAHD48F	1.00	0.98	1.00
TM9Y080C16MP11	XAHD60G	0.97	0.89	0.92
TM9Y080C16MP11	XAHD60H	1.02	1.06	1.04
TM9Y100C16MP11	XAF/XAUC48F	1.00	0.98	1.00
TM9Y100C16MP11	XAF/XAUC60G	0.99	0.96	0.96

FURNACE MULTIPLIERS - 3 TON (Continued)

Furnaces	Coil	T.C.	S.C.	KW
TM9Y100C16MP11	XAF/XAUD60G	0.99	0.95	0.96
TM9Y100C16MP11	XAF/XAUD60H	1.02	1.06	1.04
TM9Y100C16MP11	XAFC36D	1.00	1.04	1.04
TM9Y100C16MP11	XAFC60H	1.02	1.02	1.00
TM9Y100C16MP11	XAFD48F	1.00	0.98	1.00
TM9Y100C16MP11	XAHC36D	0.98	0.98	0.98
TM9Y100C16MP11	XAHC48F	0.97	0.89	0.95
TM9Y100C16MP11	XAHC60G	1.01	1.06	1.03
TM9Y100C16MP11	XAHC60H	0.99	0.92	0.94
TM9Y100C16MP11	XAHD48F	1.00	0.98	1.00
TM9Y100C16MP11	XAHD60G	0.99	0.96	0.98
TM9Y100C16MP11	XAHD60H	1.02	1.06	1.04
TM9Y100C20MP11	XAF/XAUD60H	1.02	1.04	1.00
TM9Y100C20MP11	XAFD48F	1.01	1.01	1.02
TM9Y120D20MP11	XAF/XAUD60G	1.01	1.00	0.95
TM9Y120D20MP11	XAF/XAUD60H	1.02	1.05	0.98
TM9Y120D20MP11	XAFD48F	1.01	0.98	0.97
TM9Y120D20MP11	XAHD48F	1.01	0.98	0.97
TM9Y120D20MP11	XAHD60G	1.02	1.05	1.00
TM9Y120D20MP11	XAHD60H	1.02	1.05	0.98
TMLE040A12MP11	XAF/XAUB36D	0.97	0.89	0.95
TMLE040A12MP11	XAHB36D	0.98	0.95	1.00
TMLE060A12MP11	XAF/XAUB36D	0.97	0.89	0.95
TMLE060A12MP11	XAHB36D	0.97	0.89	0.97
TMLE080B12MP11	XAF/XAUB36D	0.98	0.98	1.00
TMLE080B12MP11	XAF/XAUC48F	0.99	1.01	1.05
TMLE080B12MP11	XAF/XAUC60G	0.98	0.92	0.95
TMLE080B12MP11	XAFC36D	0.98	0.97	1.00
TMLE080B12MP11	XAFC60H	0.99	0.94	0.96
TMLE080B12MP11	XAHB36D	0.97	0.89	0.97
TMLE080B12MP11	XAHC36D	0.97	0.89	0.95
TMLE080B12MP11	XAHC48F	0.98	0.91	0.96
TMLE080B12MP11	XAHC60G	0.98	0.92	0.95
TMLE080B12MP11	XAHC60H	1.00	0.95	0.95
TMLE080C16MP11	XAF/XAUC48F	0.99	0.98	0.98
TMLE080C16MP11	XAF/XAUC60G	1.00	1.02	0.96
TMLE080C16MP11	XAF/XAUD60G	1.00	1.01	0.96
TMLE080C16MP11	XAF/XAUD60H	1.02	1.02	0.98
TMLE080C16MP11	XAFC36D	0.98	0.92	0.95
TMLE080C16MP11	XAFC60H	1.02	1.02	0.98
TMLE080C16MP11	XAFD48F	0.99	0.99	0.98
TMLE080C16MP11	XAHC36D	0.98	0.91	0.94
TMLE080C16MP11	XAHC48F	0.99	0.99	0.98
TMLE080C16MP11	XAHC60G	1.01	1.02	0.97
TMLE080C16MP11	XAHC60H	1.02	1.03	0.98
TMLE080C16MP11	XAHD48F	0.99	0.98	0.98
TMLE080C16MP11	XAHD60G	1.00	1.01	0.96
TMLE080C16MP11	XAHD60H	1.02	1.02	0.98
TMLE080C20MP11	XAFC36D	1.01	1.05	0.98
TMLE080C20MP11	XAHC36D	1.01	1.05	1.03
TMLE100B12MP11	XAF/XAUB36D	0.98	0.92	0.98
TMLE100B12MP11	XAF/XAUC48F	0.98	0.92	0.96
TMLE100B12MP11	XAF/XAUC60G	0.99	0.95	0.95
TMLE100B12MP11	XAFC36D	0.99	0.97	1.01
TMLE100B12MP11	XAFC60H	1.01	1.02	0.99
TMLE100B12MP11	XAHB36D	0.98	0.96	1.02

FURNACE MULTIPLIERS - 3 TON (Continued)

Furnaces	Coil	T.C.	S.C.	KW
TMLE100B12MP11	XAHC36D	0.98	0.92	0.98
TMLE100B12MP11	XAHC48F	0.99	0.97	1.01
TMLE100B12MP11	XAHC60G	0.99	0.95	0.96
TMLE100B12MP11	XAHC60H	1.01	1.02	0.99
TMLE100C16MP11	XAF/XAUC48F	1.00	1.00	0.98
TMLE100C16MP11	XAF/XAUC60G	0.99	0.95	0.94
TMLE100C16MP11	XAF/XAUD60G	1.00	1.02	0.96
TMLE100C16MP11	XAF/XAUD60H	1.01	0.96	0.95
TMLE100C16MP11	XAFC36D	0.99	0.94	0.92
TMLE100C16MP11	XAFC60H	1.01	0.97	0.95
TMLE100C16MP11	XAFD48F	1.00	1.00	0.98
TMLE100C16MP11	XAHC36D	0.98	0.92	0.95
TMLE100C16MP11	XAHC48F	0.99	0.93	0.95
TMLE100C16MP11	XAHC60G	1.00	0.96	0.95
TMLE100C16MP11	XAHC60H	1.01	0.98	0.96
TMLE100C16MP11	XAHD48F	1.00	0.99	0.98
TMLE100C16MP11	XAHD60G	0.99	0.95	0.94
TMLE100C16MP11	XAHD60H	1.01	0.96	0.95
TMLE100C20MP11	XAFC36D	1.01	1.05	1.01
TMLE100C20MP11	XAHC36D	1.01	1.04	1.01
TMLE120C16MP11	XAF/XAUC48F	1.00	1.00	0.98
TMLE120C16MP11	XAF/XAUC60G	1.01	1.02	0.97
TMLE120C16MP11	XAF/XAUD60G	0.99	0.95	0.96
TMLE120C16MP11	XAF/XAUD60H	1.02	1.02	0.98
TMLE120C16MP11	XAFC36D	0.99	0.93	0.92
TMLE120C16MP11	XAFC60H	1.02	1.03	0.98
TMLE120C16MP11	XAFD48F	1.00	1.00	0.98
TMLE120C16MP11	XAHC36D	0.98	0.92	0.92
TMLE120C16MP11	XAHC48F	1.00	1.00	0.98
TMLE120C16MP11	XAHC60G	1.01	1.02	0.97
TMLE120C16MP11	XAHC60H	1.02	1.04	0.98
TMLE120C16MP11	XAHD48F	1.00	1.00	0.98
TMLE120C16MP11	XAHD60G	1.01	1.02	0.97
TMLE120C16MP11	XAHD60H	1.01	0.96	0.95
TMLV060A12MP12C	CF/CM/CU36B	0.97	1.02	0.98
TMLV060A12MP12C	CF/CM/CU36B	0.97	1.06	1.00
TMLV060A12MP12C	XAF/XAUB36D	0.98	0.92	0.98
TMLV080B12MP12C	CF/CM/CU36B	0.96	0.98	0.98
TMLV080B12MP12C	CF/CM/CU36B	0.96	0.99	0.98
TMLV080B12MP12C	CF/CM/CU36B	0.96	0.99	0.99
TMLV080B12MP12C	CF/CM/CU36B	0.96	1.00	0.98
TMLV080C16MP12C	CF/CM/CU36B	0.99	1.05	0.98
TMLV080C16MP12C	CF/CM/CU36B	0.99	1.11	0.97
TMLV080C16MP12C	CF/CM/CU36B	0.99	1.13	0.99
TMLV100C16MP12C	CF/CM/CU36B	0.99	1.05	0.98
TMLV100C16MP12C	CF/CM/CU36B	0.99	1.11	0.97
TMLV100C16MP12C	CF/CM/CU36B	0.99	1.13	0.99
TMLV100C16MP12C	XAF/XAUC48F	1.00	0.99	1.00
TMLV100C16MP12C	XAF/XAUC60G	0.99	0.93	0.95
TMLV100C16MP12C	XAF/XAUD60G	1.01	1.01	0.99
TMLV100C16MP12C	XAF/XAUD60H	1.02	1.02	0.98
TMLV100C16MP12C	XAFC36D	1.00	1.01	0.97
TMLV100C16MP12C	XAFC60H	1.02	1.02	0.98
TMLV100C16MP12C	XAFD48F	1.01	1.04	1.03
TMLV100C16MP12C	XAHC36D	1.00	1.01	1.02
TMLV100C16MP12C	XAHC48F	1.00	0.99	1.00

FURNACE MULTIPLIERS - 3 TON (Continued)

Furnaces	Coil	T.C.	S.C.	KW
TMLV100C16MP12C	XAHC60G	1.00	0.97	0.96
TMLV100C16MP12C	XAHC60H	1.02	1.05	1.00
TMLV100C16MP12C	XAHD48F	1.00	0.98	1.00
TMLV100C16MP12C	XAHD60G	1.01	1.02	0.99
TMLV100C16MP12C	XAHD60H	1.02	1.02	0.98
TMLV100C20MP11C	CF/CM64D	1.01	1.14	0.95
TMLV100C20MP12C	CF/CM/CU36B	1.00	1.06	0.96
TMLV100C20MP12C	CF/CM/CU36B	1.00	1.10	0.96
TMLV100C20MP12C	CF/CM/CU36B	1.00	1.19	0.98
TMLV100C20MP12C	CF/CM64D	1.01	1.14	0.95
TMLV120C20MP11C	CF/CM64D	1.01	1.14	0.95
TMLV120C20MP12C	CF/CM/CU36B	1.00	1.06	0.96
TMLV120C20MP12C	CF/CM/CU36B	1.00	1.10	0.96
TMLV120C20MP12C	CF/CM/CU36B	1.00	1.19	0.98
TMLV120C20MP12C	CF/CM64D	1.01	1.14	0.95
TMLV120C20MP12C	CF/CM/CU36B	1.00	1.06	0.96
TMLV120C20MP12C	CF/CM/CU36B	1.00	1.10	0.96
TMLV120C20MP12C	CF/CM/CU36B	1.00	1.19	0.98
TMLV120C20MP12C	CF/CM64D	1.01	1.14	0.95
TMLV120C20MP12C	XAF/XAUC60G	1.02	1.04	0.98
TMLV120C20MP12C	XAFC60H	1.02	1.05	0.96
TMLV120C20MP12C	XAHC48F	1.01	1.02	0.99
TMLV120C20MP12C	XAHC60G	1.02	1.02	0.96
TMLV120C20MP12C	XAHC60H	1.02	1.05	0.96
TMLX060A12MP11	CF/CM/CU36B	0.97	1.05	1.01
TMLX060A12MP11	CF42B	0.98	1.05	1.00
TMLX080B12MP11	CF/CM/CU36B	0.96	0.98	0.96
TMLX080B12MP11	CF/CM/CU36C	0.98	1.09	1.00
TMLX080B12MP11	CF/CM/CU42C	0.99	1.09	1.01
TMLX080B12MP11	CF/CM/CU48C	0.99	1.10	0.99
TMLX080B12MP11	CF/CM/CU60C	0.99	1.04	0.99
TMLX080B12MP11	CF42B	0.98	1.05	0.98
TMLX080C16MP11	CF/CM/CU36C	0.98	1.08	0.95
TMLX080C16MP11	CF/CM/CU42C	0.99	1.06	0.96
TMLX080C16MP11	CF/CM/CU48C	0.99	1.09	0.95
TMLX080C16MP11	CF/CM/CU48D	0.99	1.09	0.95
TMLX080C16MP11	CF/CM/CU60C	0.99	1.05	0.96
TMLX080C16MP11	CF/CM/CU60D	1.01	1.12	1.01
TMLX080C16MP11	CF/CM36D	0.98	1.09	0.97
TMLX080C16MP11	CF/CM42D	1.00	1.08	0.96
TMLX080C16MP11	CF/CM64D	1.01	1.07	0.95
TMLX100C16MP11	CF/CM/CU36C	0.98	1.08	0.95
TMLX100C16MP11	CF/CM/CU42C	0.99	1.06	0.96
TMLX100C16MP11	CF/CM/CU48C	0.99	1.09	0.95
TMLX100C16MP11	CF/CM/CU48D	0.99	1.09	0.95
TMLX100C16MP11	CF/CM/CU60C	0.99	1.05	0.96
TMLX100C16MP11	CF/CM/CU60D	1.01	1.12	1.01
TMLX100C16MP11	CF/CM36D	0.98	1.09	0.97
TMLX100C16MP11	CF/CM42D	1.00	1.08	0.96
TMLX100C16MP11	CF/CM64D	1.01	1.07	0.95
TMLX100C20MP11	CF/CM/CU36C	0.99	1.12	0.95
TMLX100C20MP11	CF/CM/CU42C	1.01	1.17	0.99
TMLX100C20MP11	CF/CM/CU48C	1.00	1.12	0.95
TMLX100C20MP11	CF/CM/CU48D	1.01	1.12	0.97
TMLX100C20MP11	CF/CM/CU60C	1.01	1.05	0.95
TMLX100C20MP11	CF/CM/CU60D	1.01	1.08	0.97
TMLX100C20MP11	CF/CM36D	0.99	1.12	0.96
TMLX100C20MP11	CF/CM42D	1.00	1.12	0.96
TMLX100C20MP11	CF/CM64D	1.01	1.10	0.94
TMLX120C20MP11	CF/CM/CU36C	0.99	1.12	0.95

FURNACE MULTIPLIERS - 3 TON (Continued)

Furnaces	Coil	T.C.	S.C.	KW
TMLX120C20MP11	CF/CM/CU42C	1.01	1.17	0.99
TMLX120C20MP11	CF/CM/CU48C	1.00	1.12	0.95
TMLX120C20MP11	CF/CM/CU48D	1.01	1.12	0.97
TMLX120C20MP11	CF/CM/CU60C	1.01	1.05	0.95
TMLX120C20MP11	CF/CM/CU60D	1.01	1.08	0.97
TMLX120C20MP11	CF/CM36D	0.99	1.12	0.96
TMLX120C20MP11	CF/CM42D	1.00	1.12	0.96
TMLX120C20MP11	CF/CM64D	1.01	1.10	0.94
TP9C060B12MP13C	CF/CM/CU36B	0.97	1.04	1.00
TP9C060B12MP13C	CF/CM/CU36B	0.97	1.05	1.00
TP9C060B12MP13C	XAF/XAUB36D	0.98	0.95	1.02
TP9C060B12MP13C	XAF/XAUC48F	0.98	0.92	1.00
TP9C060B12MP13C	XAF/XAUC60G	0.98	0.95	0.98
TP9C060B12MP13C	XAFC36D	0.98	0.94	1.02
TP9C060B12MP13C	XAFC60H	0.98	0.92	0.96
TP9C060B12MP13C	XAHB36D	0.97	0.92	1.00
TP9C060B12MP13C	XAHC36D	0.98	0.95	1.02
TP9C060B12MP13C	XAHC48F	0.98	0.92	1.00
TP9C060B12MP13C	XAHC60G	0.98	0.91	0.96
TP9C060B12MP13C	XAHC60H	0.98	0.92	0.96
TP9C080B12MP13C	CF/CM/CU36B	0.98	1.09	1.00
TP9C080B12MP13C	CF/CM/CU36B	0.98	1.11	1.02
TP9C080B12MP13C	XAF/XAUB36D	0.97	0.89	0.97
TP9C080B12MP13C	XAF/XAUC48F	0.97	0.88	0.95
TP9C080B12MP13C	XAF/XAUC60G	0.99	0.98	0.98
TP9C080B12MP13C	XAFC36D	0.97	0.89	0.95
TP9C080B12MP13C	XAFC60H	1.01	1.02	1.01
TP9C080B12MP13C	XAHB36D	0.97	0.89	0.97
TP9C080B12MP13C	XAHC36D	0.97	0.89	0.97
TP9C080B12MP13C	XAHC48F	0.98	0.92	0.98
TP9C080B12MP13C	XAHC60G	0.99	0.97	0.98
TP9C080B12MP13C	XAHC60H	0.99	0.94	0.96
TP9C080C16MP13C	CF/CM/CU36C	0.98	1.05	0.96
TP9C080C16MP13C	CF/CM/CU42C	1.00	1.12	1.00
TP9C080C16MP13C	CF/CM/CU48C	0.99	1.11	0.99
TP9C080C16MP13C	CF/CM/CU48D	0.99	1.11	0.99
TP9C080C16MP13C	CF/CM/CU60C	1.00	1.09	1.00
TP9C080C16MP13C	CF/CM/CU60D	1.01	1.09	1.01
TP9C080C16MP13C	CF/CM36D	0.98	1.05	0.98
TP9C080C16MP13C	CF/CM42D	1.00	1.12	1.00
TP9C080C16MP13C	CF/CM64D	1.01	1.12	0.99
TP9C080C16MP13C	XAF/XAUC48F	1.00	1.01	1.02
TP9C080C16MP13C	XAF/XAUC60G	1.00	1.00	0.98
TP9C080C16MP13C	XAF/XAUD60G	1.01	1.02	1.01
TP9C080C16MP13C	XAF/XAUD60H	1.01	1.01	0.99
TP9C080C16MP13C	XAFC36D	0.99	0.99	1.01
TP9C080C16MP13C	XAFC60H	1.01	1.02	0.99
TP9C080C16MP13C	XAFD48F	1.00	1.00	1.02
TP9C080C16MP13C	XAHC36D	0.99	0.99	1.01
TP9C080C16MP13C	XAHC48F	1.00	1.00	1.02
TP9C080C16MP13C	XAHC60G	0.99	0.96	0.98
TP9C080C16MP13C	XAHC60H	1.01	0.97	0.95
TP9C080C16MP13C	XAHD48F	1.00	1.00	1.02
TP9C080C16MP13C	XAHD60G	1.00	1.00	1.00
TP9C080C16MP13C	XAHD60H	1.01	1.01	0.99
TP9C100C16MP13C	CF/CM/CU36B	0.99	1.06	0.97

FURNACE MULTIPLIERS - 3 TON (Continued)

Furnaces	Coil	T.C.	S.C.	KW
TP9C100C16MP13C	CF/CM/CU36B	1.00	1.12	0.98
TP9C100C16MP13C	CF/CM/CU36B	1.00	1.13	0.98
TP9C100C16MP13C	XAF/XAUC48F	1.01	1.00	0.95
TP9C100C16MP13C	XAF/XAUC60G	1.01	1.00	0.97
TP9C100C16MP13C	XAF/XAUD60G	1.01	0.99	0.99
TP9C100C16MP13C	XAF/XAUD60H	1.02	1.00	0.96
TP9C100C16MP13C	XAFC36D	0.99	0.97	0.98
TP9C100C16MP13C	XAFC60H	1.02	1.01	0.96
TP9C100C16MP13C	XAFD48F	1.01	0.99	0.99
TP9C100C16MP13C	XAHC36D	0.98	0.90	0.91
TP9C100C16MP13C	XAHC48F	1.01	1.00	0.99
TP9C100C16MP13C	XAHC60G	1.01	0.98	0.95
TP9C100C16MP13C	XAHC60H	1.02	1.02	0.96
TP9C100C16MP13C	XAHD48F	1.01	0.99	0.99
TP9C100C16MP13C	XAHD60G	1.01	1.02	0.97
TP9C100C16MP13C	XAHD60H	1.02	1.00	0.96
TP9C100C20MP13C	CF/CM/CU36B	1.00	1.08	0.98
TP9C100C20MP13C	CF/CM/CU36B	1.00	1.11	0.98
TP9C100C20MP13C	CF/CM/CU36B	1.00	1.15	1.00
TP9C100C20MP13C	XAF/XAUC48F	1.00	0.99	1.00
TP9C100C20MP13C	XAF/XAUC60G	1.01	1.02	0.99
TP9C100C20MP13C	XAF/XAUD60G	1.01	1.01	0.97
TP9C100C20MP13C	XAF/XAUD60H	1.02	1.02	0.98
TP9C100C20MP13C	XAFC36D	1.00	1.02	1.00
TP9C100C20MP13C	XAFC60H	1.02	1.02	0.98
TP9C100C20MP13C	XAFD48F	1.00	0.98	0.98
TP9C100C20MP13C	XAHC36D	1.00	1.03	0.99
TP9C100C20MP13C	XAHC48F	1.00	0.99	1.00
TP9C100C20MP13C	XAHC60G	1.01	1.02	0.97
TP9C100C20MP13C	XAHC60H	1.02	1.02	0.98
TP9C100C20MP13C	XAHD48F	1.00	0.98	1.00
TP9C100C20MP13C	XAHD60G	1.01	1.02	0.99
TP9C100C20MP13C	XAHD60H	1.02	1.02	0.98
TP9C120D20MP13C	XAF/XAUD60G	1.01	1.01	0.96
TP9C120D20MP13C	XAF/XAUD60H	1.02	1.05	0.98
TP9C120D20MP13C	XAFD48F	1.02	1.05	1.02
TP9C120D20MP13C	XAHD48F	1.01	1.04	1.01
TP9C120D20MP13C	XAHD60G	1.02	1.05	0.98
TP9C120D20MP13C	XAHD60H	1.02	1.02	0.96
TPLC060A12MP13C	CF/CM/CU36B	0.97	1.02	0.98
TPLC060A12MP13C	CF/CM/CU36B	0.97	1.06	1.00
TPLC060A12MP13C	XAF/XAUB36D	0.98	0.92	0.98
TPLC080B12MP13C	CF/CM/CU36B	0.96	0.98	0.98
TPLC080B12MP13C	CF/CM/CU36B	0.96	0.99	0.98
TPLC080B12MP13C	CF/CM/CU36B	0.96	0.99	0.99
TPLC080B12MP13C	CF/CM/CU36B	0.96	1.00	0.98
TPLC080B12MP13C	XAF/XAUB36D	0.97	0.90	0.98
TPLC080B12MP13C	XAF/XAUC48F	0.98	0.94	1.02
TPLC080B12MP13C	XAF/XAUC60G	0.98	0.95	1.00
TPLC080B12MP13C	XAFC36D	0.97	0.90	0.98
TPLC080B12MP13C	XAFC60H	0.99	0.95	1.01
TPLC080B12MP13C	XAHC36D	0.97	0.90	0.98
TPLC080B12MP13C	XAHC48F	0.98	0.93	1.02
TPLC080B12MP13C	XAHC60G	0.98	0.95	0.98
TPLC080B12MP13C	XAHC60H	0.99	0.96	0.99
TPLC080C16MP13C	CF/CM/CU36B	0.99	1.05	0.98

FURNACE MULTIPLIERS - 3 TON (Continued)

Furnaces	Coil	T.C.	S.C.	KW
TPLC080C16MP13C	CF/CM/CU36B	0.99	1.11	0.97
TPLC080C16MP13C	CF/CM/CU36B	0.99	1.13	0.99
TPLC080C16MP13C	XAF/XAUC48F	1.00	0.99	1.00
TPLC080C16MP13C	XAF/XAUC60G	0.99	0.93	0.95
TPLC080C16MP13C	XAF/XAUD60G	1.01	1.01	0.99
TPLC080C16MP13C	XAF/XAUD60H	1.02	1.02	0.98
TPLC080C16MP13C	XAFC36D	1.00	1.01	0.97
TPLC080C16MP13C	XAFC60H	1.02	1.02	0.98
TPLC080C16MP13C	XAFD48F	1.01	1.04	1.03
TPLC080C16MP13C	XAHC36D	1.00	1.01	1.02
TPLC080C16MP13C	XAHC48F	1.00	0.99	1.00
TPLC080C16MP13C	XAHC60G	1.00	0.97	0.96
TPLC080C16MP13C	XAHC60H	1.02	1.05	1.00
TPLC080C16MP13C	XAHD48F	1.00	0.98	1.00
TPLC080C16MP13C	XAHD60G	1.01	1.02	0.99
TPLC080C16MP13C	XAHD60H	1.02	1.02	0.98
TPLC100C16MP13C	CF/CM/CU36B	0.99	1.05	0.98
TPLC100C16MP13C	CF/CM/CU36B	0.99	1.11	0.97
TPLC100C16MP13C	CF/CM/CU36B	0.99	1.13	0.99
TPLC100C16MP13C	XAF/XAUC48F	1.00	0.99	1.00
TPLC100C16MP13C	XAF/XAUC60G	0.99	0.93	0.95
TPLC100C16MP13C	XAF/XAUD60G	1.01	1.01	0.99
TPLC100C16MP13C	XAF/XAUD60H	1.02	1.02	0.98
TPLC100C16MP13C	XAFC36D	1.00	1.01	0.97
TPLC100C16MP13C	XAFC60H	1.02	1.02	0.98
TPLC100C16MP13C	XAFD48F	1.01	1.04	1.03
TPLC100C16MP13C	XAHC36D	1.00	1.01	1.02
TPLC100C16MP13C	XAHC48F	1.00	0.99	1.00
TPLC100C16MP13C	XAHC60G	1.00	0.97	0.96
TPLC100C16MP13C	XAHC60H	1.02	1.05	1.00
TPLC100C16MP13C	XAHD48F	1.00	0.98	1.00
TPLC100C16MP13C	XAHD60G	1.01	1.02	0.99
TPLC100C16MP13C	XAHD60H	1.02	1.02	0.98
TPLC100C20MP12C	CF/CM64D	1.01	1.14	0.95
TPLC100C20MP13C	CF/CM/CU36B	1.00	1.06	0.96
TPLC100C20MP13C	CF/CM/CU36B	1.00	1.10	0.96
TPLC100C20MP13C	CF/CM/CU36B	1.00	1.19	0.98
TPLC100C20MP13C	CF/CM64D	1.01	1.14	0.95
TPLC100C20MP13C	XAF/XAUC60G	1.02	1.04	0.98
TPLC100C20MP13C	XAFC60H	1.02	1.05	0.96
TPLC100C20MP13C	XAHC48F	1.01	1.02	0.99
TPLC100C20MP13C	XAHC60G	1.02	1.02	0.96
TPLC100C20MP13C	XAHC60H	1.02	1.05	0.96
TPLC120C20MP12C	CF/CM64D	1.01	1.14	0.95
TPLC120C20MP13C	CF/CM/CU36B	1.00	1.06	0.96
TPLC120C20MP13C	CF/CM/CU36B	1.00	1.10	0.96
TPLC120C20MP13C	CF/CM/CU36B	1.00	1.19	0.98
TPLC120C20MP13C	CF/CM64D	1.01	1.14	0.95
TPLC120C20MP13C	XAF/XAUC60G	1.02	1.04	0.98
TPLC120C20MP13C	XAFC60H	1.02	1.05	0.96
TPLC120C20MP13C	XAHC48F	1.01	1.02	0.99
TPLC120C20MP13C	XAHC60G	1.02	1.02	0.96
TPLC120C20MP13C	XAHC60H	1.02	1.05	0.96
CP9C060B12MP13C	CF/CM/CU36B	0.97	1.04	1.00
CP9C060B12MP13C	CF/CM/CU36B	0.97	1.05	1.00
CP9C060B12MP13C	XAF/XAUB36D	0.98	0.95	1.02

FURNACE MULTIPLIERS - 3 TON (Continued)

Furnaces	Coil	T.C.	S.C.	KW
CP9C060B12MP13C	XAF/XAUC48F	0.98	0.92	1.00
CP9C060B12MP13C	XAF/XAUC60G	0.98	0.95	0.98
CP9C060B12MP13C	XAFC36D	0.98	0.94	1.02
CP9C060B12MP13C	XAFC60H	0.98	0.92	0.96
CP9C060B12MP13C	XAHB36D	0.97	0.92	1.00
CP9C060B12MP13C	XAHC36D	0.98	0.95	1.02
CP9C060B12MP13C	XAHC48F	0.98	0.92	1.00
CP9C060B12MP13C	XAHC60G	0.98	0.91	0.96
CP9C060B12MP13C	XAHC60H	0.98	0.92	0.96
CP9C080B12MP13C	CF/CM/CU36B	0.98	1.09	1.00
CP9C080B12MP13C	CF/CM/CU36B	0.98	1.11	1.02
CP9C080B12MP13C	XAF/XAUB36D	0.97	0.89	0.97
CP9C080B12MP13C	XAF/XAUC48F	0.97	0.88	0.95
CP9C080B12MP13C	XAF/XAUC60G	0.99	0.98	0.98
CP9C080B12MP13C	XAFC36D	0.97	0.89	0.95
CP9C080B12MP13C	XAFC60H	1.01	1.02	1.01
CP9C080B12MP13C	XAHB36D	0.97	0.89	0.97
CP9C080B12MP13C	XAHC36D	0.97	0.89	0.97
CP9C080B12MP13C	XAHC48F	0.98	0.92	0.98
CP9C080B12MP13C	XAHC60G	0.99	0.97	0.98
CP9C080B12MP13C	XAHC60H	0.99	0.94	0.96
CP9C080C16MP13C	CF/CM/CU36C	0.98	1.05	0.96
CP9C080C16MP13C	CF/CM/CU42C	1.00	1.12	1.00
CP9C080C16MP13C	CF/CM/CU48C	0.99	1.11	0.99
CP9C080C16MP13C	CF/CM/CU48D	0.99	1.11	0.99
CP9C080C16MP13C	CF/CM/CU60C	1.00	1.09	1.00
CP9C080C16MP13C	CF/CM/CU60D	1.01	1.09	1.01
CP9C080C16MP13C	CF/CM36D	0.98	1.05	0.98
CP9C080C16MP13C	CF/CM42D	1.00	1.12	1.00
CP9C080C16MP13C	CF/CM64D	1.01	1.12	0.99
CP9C080C16MP13C	XAF/XAUC48F	1.00	1.01	1.02
CP9C080C16MP13C	XAF/XAUC60G	1.00	1.00	0.98
CP9C080C16MP13C	XAF/XAUD60G	1.01	1.02	1.01
CP9C080C16MP13C	XAF/XAUD60H	1.01	1.01	0.99
CP9C080C16MP13C	XAFC36D	0.99	0.99	1.01
CP9C080C16MP13C	XAFC60H	1.01	1.02	0.99
CP9C080C16MP13C	XAFD48F	1.00	1.00	1.02
CP9C080C16MP13C	XAHC36D	0.99	0.99	1.01
CP9C080C16MP13C	XAHC48F	1.00	1.00	1.02
CP9C080C16MP13C	XAHC60G	0.99	0.96	0.98
CP9C080C16MP13C	XAHC60H	1.01	0.97	0.95
CP9C080C16MP13C	XAHD48F	1.00	1.00	1.02
CP9C080C16MP13C	XAHD60G	1.00	1.00	1.00
CP9C080C16MP13C	XAHD60H	1.01	1.01	0.99
CP9C100C16MP13C	CF/CM/CU36B	0.99	1.06	0.97
CP9C100C16MP13C	CF/CM/CU36B	1.00	1.12	0.98
CP9C100C16MP13C	CF/CM/CU36B	1.00	1.13	0.98
CP9C100C16MP13C	XAF/XAUC48F	1.01	1.00	0.95
CP9C100C16MP13C	XAF/XAUC60G	1.01	1.00	0.97
CP9C100C16MP13C	XAF/XAUD60G	1.01	0.99	0.99
CP9C100C16MP13C	XAF/XAUD60H	1.02	1.00	0.96
CP9C100C16MP13C	XAFC36D	0.99	0.97	0.98
CP9C100C16MP13C	XAFC60H	1.02	1.01	0.96
CP9C100C16MP13C	XAFD48F	1.01	0.99	0.99
CP9C100C16MP13C	XAHC36D	0.98	0.90	0.91
CP9C100C16MP13C	XAHC48F	1.01	1.00	0.99

FURNACE MULTIPLIERS - 3 TON (Continued)

Furnaces	Coil	T.C.	S.C.	KW
CP9C100C16MP13C	XAHC60G	1.01	0.98	0.95
CP9C100C16MP13C	XAHC60H	1.02	1.02	0.96
CP9C100C16MP13C	XAHD48F	1.01	0.99	0.99
CP9C100C16MP13C	XAHD60G	1.01	1.02	0.97
CP9C100C16MP13C	XAHD60H	1.02	1.00	0.96
CP9C100C20MP13C	CF/CM/CU36B	1.00	1.08	0.98
CP9C100C20MP13C	CF/CM/CU36B	1.00	1.11	0.98
CP9C100C20MP13C	CF/CM/CU36B	1.00	1.15	1.00
CP9C100C20MP13C	XAF/XAUC48F	1.00	0.99	1.00
CP9C100C20MP13C	XAF/XAUC60G	1.01	1.02	0.99
CP9C100C20MP13C	XAF/XAUD60G	1.01	1.01	0.97
CP9C100C20MP13C	XAF/XAUD60H	1.02	1.02	0.98
CP9C100C20MP13C	XAFC36D	1.00	1.02	1.00
CP9C100C20MP13C	XAFC60H	1.02	1.02	0.98
CP9C100C20MP13C	XAFD48F	1.00	0.98	0.98
CP9C100C20MP13C	XAHC36D	1.00	1.03	0.99
CP9C100C20MP13C	XAHC48F	1.00	0.99	1.00
CP9C100C20MP13C	XAHC60G	1.01	1.02	0.97
CP9C100C20MP13C	XAHC60H	1.02	1.02	0.98
CP9C100C20MP13C	XAHD48F	1.00	0.98	1.00
CP9C100C20MP13C	XAHD60G	1.01	1.02	0.99
CP9C100C20MP13C	XAHD60H	1.02	1.02	0.98
CP9C120D20MP13C	XAF/XAUD60G	1.01	1.01	0.96
CP9C120D20MP13C	XAF/XAUD60H	1.02	1.05	0.98
CP9C120D20MP13C	XAFD48F	1.02	1.05	1.02
CP9C120D20MP13C	XAHD48F	1.01	1.04	1.01
CP9C120D20MP13C	XAHD60G	1.02	1.05	0.98
CP9C120D20MP13C	XAHD60H	1.02	1.02	0.96
CPLC060A12MP13C	CF/CM/CU36B	0.97	1.02	0.98
CPLC060A12MP13C	CF/CM/CU36B	0.97	1.06	1.00
CPLC060A12MP13C	XAF/XAUB36D	0.98	0.92	0.98
CPLC080B12MP13C	CF/CM/CU36B	0.96	0.99	0.99
CPLC080B12MP13C	CF/CM/CU42C	0.96	0.99	0.98
CPLC080B12MP13C	CF/CM/CU48C	0.96	1.00	0.98
CPLC080B12MP13C	CF42B	0.96	0.98	0.98
CPLC080B12MP13C	XAF/XAUB36D	0.97	0.90	0.98
CPLC080B12MP13C	XAF/XAUC48F	0.98	0.94	1.02
CPLC080B12MP13C	XAF/XAUC60G	0.98	0.95	1.00
CPLC080B12MP13C	XAFC36D	0.97	0.90	0.98
CPLC080B12MP13C	XAFC60H	0.99	0.95	1.01
CPLC080B12MP13C	XAHC36D	0.97	0.90	0.98
CPLC080B12MP13C	XAHC48F	0.98	0.93	1.02
CPLC080B12MP13C	XAHC60G	0.98	0.95	0.98
CPLC080B12MP13C	XAHC60H	0.99	0.96	0.99
CPLC080C16MP13C	CF/CM/CU48D	0.99	1.11	0.97
CPLC080C16MP13C	CF/CM/CU60D	0.99	1.05	0.98
CPLC080C16MP13C	CF/CM42D	0.99	1.13	0.99
CPLC080C16MP13C	XAF/XAUC48F	1.00	0.99	1.00
CPLC080C16MP13C	XAF/XAUC60G	0.99	0.93	0.95
CPLC080C16MP13C	XAF/XAUD60G	1.01	1.01	0.99
CPLC080C16MP13C	XAF/XAUD60H	1.02	1.02	0.98
CPLC080C16MP13C	XAFC36D	1.00	1.01	0.97
CPLC080C16MP13C	XAFC60H	1.02	1.02	0.98
CPLC080C16MP13C	XAFD48F	1.01	1.04	1.03
CPLC080C16MP13C	XAHC36D	1.00	1.01	1.02
CPLC080C16MP13C	XAHC48F	1.00	0.99	1.00

FURNACE MULTIPLIERS - 3 TON (Continued)

Furnaces	Coil	T.C.	S.C.	KW
CPLC080C16MP13C	XAHC60G	1.00	0.97	0.96
CPLC080C16MP13C	XAHC60H	1.02	1.05	1.00
CPLC080C16MP13C	XAHD48F	1.00	0.98	1.00
CPLC080C16MP13C	XAHD60G	1.01	1.02	0.99
CPLC080C16MP13C	XAHD60H	1.02	1.02	0.98
CPLC100C16MP13C	CF/CM42D	0.99	1.05	0.98
CPLC100C16MP13C	CF/CM42D	0.99	1.11	0.97
CPLC100C16MP13C	CF/CM42D	0.99	1.13	0.99
CPLC100C16MP13C	XAF/XAUC48F	1.00	0.99	1.00
CPLC100C16MP13C	XAF/XAUC60G	0.99	0.93	0.95
CPLC100C16MP13C	XAF/XAUD60G	1.01	1.01	0.99
CPLC100C16MP13C	XAF/XAUD60H	1.02	1.02	0.98
CPLC100C16MP13C	XAFC36D	1.00	1.01	0.97
CPLC100C16MP13C	XAFC60H	1.02	1.02	0.98
CPLC100C16MP13C	XAFD48F	1.01	1.04	1.03
CPLC100C16MP13C	XAHC36D	1.00	1.01	1.02
CPLC100C16MP13C	XAHC48F	1.00	0.99	1.00
CPLC100C16MP13C	XAHC60G	1.00	0.97	0.96
CPLC100C16MP13C	XAHC60H	1.02	1.05	1.00
CPLC100C16MP13C	XAHD48F	1.00	0.98	1.00
CPLC100C16MP13C	XAHD60G	1.01	1.02	0.99
CPLC100C16MP13C	XAHD60H	1.02	1.02	0.98
CPLC100C20MP12C	CF/CM64D	1.01	1.14	0.95
CPLC100C20MP13C	CF/CM42D	1.00	1.06	0.96
CPLC100C20MP13C	CF/CM42D	1.00	1.10	0.96
CPLC100C20MP13C	CF/CM42D	1.00	1.19	0.98
CPLC100C20MP13C	CF/CM64D	1.01	1.14	0.95
CPLC100C20MP13C	XAF/XAUC60G	1.02	1.04	0.98
CPLC100C20MP13C	XAFC60H	1.02	1.05	0.96
CPLC100C20MP13C	XAHC48F	1.01	1.02	0.99
CPLC100C20MP13C	XAHC60G	1.02	1.02	0.96
CPLC100C20MP13C	XAHC60H	1.02	1.05	0.96
CPLC120C20MP12C	CF/CM64D	1.01	1.14	0.95
CPLC120C20MP13C	CF/CM/CU48D	1.00	1.19	0.98
CPLC120C20MP13C	CF/CM/CU60D	1.00	1.06	0.96
CPLC120C20MP13C	CF/CM42D	1.00	1.10	0.96
CPLC120C20MP13C	CF/CM64D	1.01	1.14	0.95
CPLC120C20MP13C	XAF/XAUC60G	1.02	1.04	0.98
CPLC120C20MP13C	XAFC60H	1.02	1.05	0.96
CPLC120C20MP13C	XAHC48F	1.01	1.02	0.99
CPLC120C20MP13C	XAHC60G	1.02	1.02	0.96
CPLC120C20MP13C	XAHC60H	1.02	1.05	0.96

PERFORMANCE DATA - 4 TON

CONDENSER-ONLY DATA (OUTDOOR UNIT)																		
MODEL	SATURATED SUCTION AT COMPRESSOR		Outdoor Ambient Temperature															
			55 °F		65 °F		75 °F		85 °F		95 °F		105 °F		115 °F		125 °F	
	T (°F)	P (PSIG)	MBH	KW	MBH	KW	MBH	KW	MBH	KW	MBH	KW	MBH	KW	MBH	KW	MBH	KW
AC19B4821S (Stage 2)	35	107	46.8	2.68	44.4	2.94	42.1	3.22	39.7	3.55	37.3	3.91	34.8	4.34	32.1	4.83	29.2	5.38
	40	118	51.4	2.70	48.8	2.95	46.3	3.23	43.8	3.54	41.2	3.91	38.4	4.34	35.5	4.83	32.4	5.38
	45	130	55.8	2.74	53.5	2.96	50.9	3.23	48.1	3.54	45.3	3.90	42.3	4.33	39.2	4.83	35.8	5.37
	50	142	60.8	2.79	58.6	2.97	55.7	3.23	52.8	3.54	49.7	3.89	46.5	4.32	43.1	4.82	39.5	5.36
	55	156	67.0	2.77	64.0	2.99	60.9	3.24	57.7	3.55	54.4	3.90	51.0	4.32	47.3	4.81	43.4	5.35
AC19B4821S (Stage 1)	35	107	32.2	1.81	30.2	2.05	28.2	2.32	26.1	2.63	23.6	2.97	20.9	3.37	17.7	3.81	14.1	4.30
	40	118	35.6	1.76	33.5	2.00	31.4	2.27	29.2	2.58	26.6	2.92	23.7	3.32	20.4	3.76	16.6	4.25
	45	130	39.3	1.72	37.1	1.96	34.9	2.22	32.5	2.53	29.8	2.87	26.8	3.26	23.3	3.71	19.3	4.19
	50	142	43.2	1.67	40.9	1.91	38.6	2.18	36.1	2.47	33.2	2.81	30.1	3.21	26.4	3.65	22.3	4.14
	55	156	47.3	1.63	44.8	1.87	42.5	2.13	39.9	2.42	36.9	2.75	33.6	3.14	29.8	3.59	25.5	4.07

Notes:

- For Outdoor Unit (Condenser) performance only. Data does not include the effects of air handler power or heat.
- Performance based on 15°F subcooling and 15°F superheat at the Outdoor Unit base valves.
 - Increase capacity by 1% for each 2°F increase in subcooling.
 - Decrease capacity by 1% for each 2°F decrease in subcooling.
- Maximum recommended condensing temperature is 140°F.

COOLING PERFORMANCE DATA																		
OUTDOOR UNIT MODEL NO.		AC19B4821S																
INDOOR COIL MODEL NO.		CF64DXA1																
AIR TEMPERATURE ENTERING OUTDOOR UNIT (°F)	ID CFM	1350					1600					1850						
		ID DB (°F)		80	80	75	80	80	80	80	75	80	80	80	80	75	80	80
		ID WB (°F)		57	62	62	67	72	57	62	62	67	72	57	62	62	67	72
55	T.C.	44.6	48.8	48.8	52.6	54.7	46.8	50.0	50.0	53.3	55.3	48.9	51.1	51.2	54.0	56.0		
	S.C.	44.6	39.8	33.8	32.5	24.6	46.8	42.5	35.6	33.4	24.8	48.9	45.2	37.5	34.4	25.0		
	KW	2.42	2.44	2.44	2.47	2.48	2.52	2.54	2.54	2.56	2.57	2.63	2.64	2.64	2.66	2.66		
65	T.C.	43.3	47.2	47.4	51.7	54.9	45.5	48.5	48.6	52.6	55.9	47.7	49.7	49.9	53.5	56.8		
	S.C.	43.3	39.4	33.4	32.6	25.1	45.5	42.4	35.5	34.1	25.8	47.7	45.4	37.6	35.7	26.5		
	KW	2.65	2.68	2.68	2.72	2.74	2.76	2.78	2.78	2.81	2.83	2.87	2.88	2.88	2.91	2.93		
75	T.C.	42.0	45.7	46.1	50.8	55.1	44.2	47.0	47.3	51.9	56.4	46.5	48.3	48.5	53.0	57.7		
	S.C.	42.0	38.9	32.9	32.7	25.7	44.2	42.3	35.3	34.8	26.8	46.5	45.6	37.7	37.0	28.0		
	KW	2.89	2.92	2.92	2.96	3.00	3.00	3.02	3.02	3.06	3.10	3.11	3.12	3.12	3.16	3.19		
85	T.C.	40.8	43.9	44.1	48.8	53.3	42.8	45.1	45.4	49.9	54.6	44.8	46.4	46.6	51.0	56.0		
	S.C.	40.8	38.3	32.1	32.0	25.0	42.8	41.7	34.6	34.3	26.2	44.8	45.1	37.2	36.6	27.4		
	KW	3.22	3.24	3.24	3.28	3.31	3.33	3.34	3.34	3.38	3.41	3.43	3.44	3.44	3.47	3.51		
95	T.C.	39.6	42.1	42.2	46.9	51.5	41.4	43.3	43.5	48.0	52.9	43.2	44.5	44.7	49.1	54.2		
	S.C.	39.6	37.7	31.3	31.4	24.4	41.4	41.2	34.0	33.8	25.6	43.2	44.5	36.6	36.2	26.7		
	KW	3.54	3.56	3.56	3.59	3.63	3.65	3.66	3.66	3.69	3.72	3.75	3.76	3.75	3.79	3.82		
105	T.C.	37.0	39.7	39.8	44.2	48.6	39.0	40.8	40.9	45.1	49.8	41.0	41.9	42.1	46.0	51.0		
	S.C.	37.0	36.4	30.3	30.1	23.4	39.0	39.3	32.9	32.7	24.7	41.0	41.9	35.5	35.2	25.9		
	KW	4.00	4.02	4.02	4.05	4.08	4.10	4.12	4.11	4.15	4.18	4.21	4.21	4.21	4.25	4.28		
115	T.C.	34.5	37.4	37.4	41.6	45.7	36.7	38.4	38.4	42.3	46.8	38.8	39.4	39.5	43.0	47.9		
	S.C.	34.5	35.2	29.4	28.9	22.4	36.7	37.4	31.8	31.6	23.8	38.8	39.4	34.3	34.2	25.1		
	KW	4.44	4.46	4.46	4.49	4.53	4.55	4.56	4.56	4.60	4.63	4.66	4.65	4.65	4.70	4.72		
125	T.C.	32.0	35.0	35.0	38.9	42.8	34.3	36.0	36.0	39.5	43.8	36.7	36.9	37.0	40.0	44.9		
	S.C.	32.0	33.9	28.4	27.7	21.5	34.3	35.6	30.8	30.4	22.9	36.7	36.9	33.2	33.2	24.2		
	KW	4.88	4.91	4.90	4.94	4.97	4.99	5.00	5.00	5.04	5.07	5.10	5.10	5.10	5.15	5.17		

NOTE: ALL CAPACITIES INCLUDE INDOOR FAN HEAT. KW VALUES ARE FOR THE SYSTEM (OUTDOOR + INDOOR).

Green shaded cells are ACCA (TVA) conditions.

Blue shaded cells are AHRI conditions.

Multipliers for determining the performance with other indoor sections.

NOTE: For dry bulb temperatures different than those listed (between 73-87 °F), sensible capacity increases by 1060 BTUH per 1000 CFM per degree above the listed temperature and decreases by 1060 BTUH per 1000 CFM per degree below the listed temperature.

COIL MULTIPLIERS - 4 TON

Air Handler	Coil	T.C.	S.C.	KW
—	CF/CM/CU48C	0.97	1.02	1.05
—	CF/CM/CU48D	0.97	1.00	1.05
—	CF/CM/CU60C	1.00	1.10	1.04
—	CF/CM60D	1.00	0.99	1.04
—	CF/CM64D	1.00	1.00	1.00
—	XAF/XAUC48F	0.97	0.97	1.05
—	XAF/XAUC60G	0.99	0.99	1.03
—	XAF/XAUD60G	0.99	0.99	1.03
—	XAF/XAUD60H	0.99	1.00	1.01
—	XAFC60H	0.99	1.00	1.01
—	XAFD48F	0.97	0.98	1.05
—	XAHC48F	0.97	0.97	1.05
—	XAHC60G	0.99	0.99	1.03
—	XAHC60H	0.99	1.00	1.01
—	XAHD48F	0.97	0.98	1.05
—	XAHD60G	0.99	0.99	1.03
—	XAHD60H	0.99	1.00	1.01
—	XAHD60J	1.00	1.02	1.02
AE48CX21	—	0.99	1.06	1.03
AE48DX21	—	0.99	1.06	0.99
AE60CX21	—	1.00	1.05	0.96
AE60DX21	—	1.00	1.14	0.98
AVC48CX21	—	1.00	1.03	0.98
AVC48DX21	—	1.00	1.04	0.96
AVC60CX21	—	1.00	1.05	1.00
AVC60DX21	—	1.00	1.05	0.96
ME14DN21	CF/CM48D	1.00	1.03	0.96
ME14DN21	CF/CM60D	1.00	1.05	0.96
ME14DN21	CF/CM64D	1.00	1.07	0.96
ME16CN21	CF/CM48C	1.00	1.08	1.00
ME16CN21	CF/CM60C	1.00	1.08	1.00
ME20DN21	CF/CM48D	1.00	1.07	1.00
ME20DN21	CF/CM60D	1.00	1.13	0.96
ME20DN21	CF/CM64D	1.00	1.12	0.96
MVC12CN21	CF/CM48C	1.00	1.03	0.96
MVC12CN21	CF/CM60C	1.00	1.05	0.96
MVC14DN21	CF/CM48D	1.00	1.03	0.95
MVC16CN21	CF/CM48C	1.00	1.07	0.98
MVC16CN21	CF/CM60C	1.00	1.08	0.98
MVC20DN21	CF/CM48D	1.00	1.04	0.95
MVC20DN21	CF/CM60D	1.00	1.14	0.96
MVC20DN21	CF/CM64D	1.00	1.14	0.96

FURNACE MULTIPLIERS - 4 TON

Furnaces	Coil	T.C.	S.C.	KW
TL8E060A12UH11	CF/CM/CU48C	0.98	0.97	1.00
TL8E060A12UH11	CF/CM/CU60C	0.97	0.96	1.01
TL8E080C16UH11	CF/CM/CU48C	0.99	1.05	0.99
TL8E080C16UH11	CF/CM/CU48D	0.99	1.05	0.99
TL8E080C16UH11	CF/CM/CU60C	0.99	1.02	1.01
TL8E080C16UH11	CF/CM/CU60D	0.99	1.04	0.99
TL8E080C16UH11	CF/CM64D	1.00	1.05	0.98

FURNACE MULTIPLIERS - 4 TON (Continued)

Furnaces	Coil	T.C.	S.C.	KW
TL8E080C16UH11	XAF/XAUC48F	0.97	0.92	0.99
TL8E080C16UH11	XAF/XAUC60G	0.98	0.98	1.02
TL8E080C16UH11	XAF/XAUD60G	0.98	0.97	1.02
TL8E080C16UH11	XAF/XAUD60H	0.99	0.94	0.99
TL8E080C16UH11	XAFC60H	0.99	0.95	0.99
TL8E080C16UH11	XAFD48F	0.97	0.91	0.99
TL8E080C16UH11	XAFD60J	1.00	0.94	0.98
TL8E080C16UH11	XAHC48F	0.97	0.92	0.99
TL8E080C16UH11	XAHC60G	0.98	0.95	1.00
TL8E080C16UH11	XAHC60H	0.99	0.96	0.99
TL8E080C16UH11	XAHD48F	0.97	0.91	0.99
TL8E080C16UH11	XAHD60G	0.97	0.94	0.97
TL8E080C16UH11	XAHD60H	0.99	0.94	0.99
TL8E080C16UH11	XAHD60J	1.00	0.94	1.00
TL8E100C20UH11	CF/CM/CU48C	1.00	1.05	1.00
TL8E100C20UH11	CF/CM/CU48D	1.00	1.05	1.00
TL8E100C20UH11	CF/CM/CU60C	0.99	1.04	0.99
TL8E100C20UH11	CF/CM/CU60D	1.00	1.05	0.98
TL8E100C20UH11	CF/CM64D	1.00	1.05	0.96
TL8E100C20UH11	XAF/XAUC48F	0.98	0.92	0.98
TL8E100C20UH11	XAF/XAUC60G	0.99	0.98	0.99
TL8E100C20UH11	XAF/XAUD60G	0.99	0.97	0.99
TL8E100C20UH11	XAF/XAUD60H	0.99	0.94	0.97
TL8E100C20UH11	XAFC60H	1.00	0.99	1.00
TL8E100C20UH11	XAFD48F	0.98	0.92	0.98
TL8E100C20UH11	XAFD60J	1.00	0.94	0.96
TL8E100C20UH11	XAHC48F	0.98	0.92	0.98
TL8E100C20UH11	XAHC60G	0.98	0.94	0.98
TL8E100C20UH11	XAHC60H	1.00	0.99	1.00
TL8E100C20UH11	XAHD48F	0.98	0.92	0.98
TL8E100C20UH11	XAHD60G	0.98	0.94	0.96
TL8E100C20UH11	XAHD60H	1.00	0.98	1.00
TL8E100C20UH11	XAHD60J	1.00	0.93	0.96
TL9E080C16UH11	CF/CM/CU48C	0.99	1.04	1.01
TL9E080C16UH11	CF/CM/CU48D	0.99	1.04	1.01
TL9E080C16UH11	CF/CM/CU60C	0.98	1.02	1.02
TL9E080C16UH11	CF/CM/CU60D	0.99	1.04	1.01
TL9E080C16UH11	CF/CM64D	1.00	1.05	1.00
TL9E080C16UH11	XAF/XAUC48F	0.97	0.92	1.01
TL9E080C16UH11	XAF/XAUC60G	0.97	0.95	1.01
TL9E080C16UH11	XAF/XAUD60G	0.97	0.94	1.01
TL9E080C16UH11	XAF/XAUD60H	0.99	0.95	1.01
TL9E080C16UH11	XAFC60H	0.99	0.96	0.99
TL9E080C16UH11	XAFD48F	0.97	0.91	1.01
TL9E080C16UH11	XAFD60J	1.00	0.94	1.00
TL9E080C16UH11	XAHC48F	0.97	0.92	1.01
TL9E080C16UH11	XAHC60G	0.97	0.95	1.01
TL9E080C16UH11	XAHC60H	0.99	0.96	0.99
TL9E080C16UH11	XAHD48F	0.97	0.91	1.01
TL9E080C16UH11	XAHD60G	0.97	0.95	1.01
TL9E080C16UH11	XAHD60H	0.99	0.95	0.99
TL9E080C16UH11	XAHD60J	1.00	0.94	1.02

FURNACE MULTIPLIERS - 4 TON (Continued)

Furnaces	Coil	T.C.	S.C.	KW
TL9E100C20UH11	CF/CM/CU48C	1.00	1.05	1.00
TL9E100C20UH11	CF/CM/CU48D	1.00	1.05	1.00
TL9E100C20UH11	CF/CM/CU60C	0.99	1.04	0.99
TL9E100C20UH11	CF/CM/CU60D	0.99	1.04	0.99
TL9E100C20UH11	CF/CM64D	1.00	1.05	0.98
TL9E100C20UH11	XAF/XAUC48F	0.98	0.97	1.02
TL9E100C20UH11	XAF/XAUC60G	0.98	0.94	0.98
TL9E100C20UH11	XAF/XAUD60G	0.98	0.94	0.98
TL9E100C20UH11	XAF/XAUD60H	1.00	0.99	1.00
TL9E100C20UH11	XAFC60H	0.99	0.95	0.97
TL9E100C20UH11	XAFD48F	0.98	0.92	0.98
TL9E100C20UH11	XAFD60J	1.00	0.98	1.00
TL9E100C20UH11	XAHC48F	0.98	0.93	1.00
TL9E100C20UH11	XAHC60G	0.98	0.94	0.98
TL9E100C20UH11	XAHC60H	1.00	0.99	1.00
TL9E100C20UH11	XAHD48F	0.98	0.96	1.02
TL9E100C20UH11	XAHD60G	0.98	0.94	0.98
TL9E100C20UH11	XAHD60H	1.00	0.99	1.00
TL9E100C20UH11	XAHD60J	1.00	0.98	1.00
TM8E080B12MP11	CF/CM/CU48C	0.98	1.01	1.04
TM8E080B12MP11	CF/CM/CU60C	0.98	1.00	1.04
TM8E080C16MP11	CF/CM/CU48C	0.97	1.02	1.03
TM8E080C16MP11	CF/CM/CU48D	0.97	1.03	1.03
TM8E080C16MP11	CF/CM/CU60C	1.00	1.09	1.04
TM8E080C16MP11	CF/CM/CU60D	1.00	1.09	1.04
TM8E080C16MP11	CF/CM64D	1.00	1.10	1.00
TM8E080C16MP11	XAF/XAUC48F	0.98	0.97	1.04
TM8E080C16MP11	XAF/XAUC60G	0.98	0.98	1.02
TM8E080C16MP11	XAF/XAUD60G	0.98	0.97	1.02
TM8E080C16MP11	XAF/XAUD60H	1.00	0.98	1.02
TM8E080C16MP11	XAFC60H	1.00	0.99	1.02
TM8E080C16MP11	XAFD48F	0.98	0.96	1.04
TM8E080C16MP11	XAFD60J	1.00	0.98	1.02
TM8E080C16MP11	XAHC48F	0.98	0.97	1.04
TM8E080C16MP11	XAHC60G	0.98	0.98	1.02
TM8E080C16MP11	XAHC60H	1.00	0.99	1.02
TM8E080C16MP11	XAHD48F	0.98	0.96	1.04
TM8E080C16MP11	XAHD60G	0.98	0.98	1.02
TM8E080C16MP11	XAHD60H	1.00	0.98	1.02
TM8E080C16MP11	XAHD60J	1.00	0.98	1.02
TM8E080C20MP11	CF/CM/CU48C	0.97	1.01	1.01
TM8E080C20MP11	CF/CM/CU48D	0.98	1.02	1.02
TM8E080C20MP11	CF/CM/CU60C	1.00	1.09	1.02
TM8E080C20MP11	CF/CM/CU60D	1.00	1.09	1.00
TM8E080C20MP11	CF/CM64D	1.00	1.10	0.98
TM8E080C20MP11	XAF/XAUC48F	0.99	1.01	1.05
TM8E080C20MP11	XAF/XAUC60G	0.99	0.95	0.99
TM8E080C20MP11	XAF/XAUD60G	0.99	0.94	0.99
TM8E080C20MP11	XAF/XAUD60H	1.00	0.97	0.98
TM8E080C20MP11	XAFC60H	1.00	0.98	0.98
TM8E080C20MP11	XAFD48F	0.98	0.95	1.02
TM8E080C20MP11	XAFD60J	1.00	1.02	1.02
TM8E080C20MP11	XAHC48F	0.99	1.00	1.05
TM8E080C20MP11	XAHC60G	0.99	0.97	1.01
TM8E080C20MP11	XAHC60H	1.00	0.98	0.98

FURNACE MULTIPLIERS - 4 TON (Continued)

Furnaces	Coil	T.C.	S.C.	KW
TM8E080C20MP11	XAHD48F	0.99	0.99	1.05
TM8E080C20MP11	XAHD60G	0.99	0.97	0.99
TM8E080C20MP11	XAHD60H	1.00	0.97	0.98
TM8E080C20MP11	XAHD60J	1.00	0.97	1.00
TM8E100C16MP11	CF/CM/CU48C	0.97	1.02	1.03
TM8E100C16MP11	CF/CM/CU48D	0.97	1.03	1.03
TM8E100C16MP11	CF/CM/CU60C	1.00	1.09	1.04
TM8E100C16MP11	CF/CM/CU60D	1.00	1.09	1.04
TM8E100C16MP11	CF/CM64D	1.00	1.10	1.00
TM8E100C16MP11	XAF/XAUC48F	0.98	0.97	1.04
TM8E100C16MP11	XAF/XAUC60G	0.98	0.98	1.02
TM8E100C16MP11	XAF/XAUD60G	0.98	0.97	1.02
TM8E100C16MP11	XAF/XAUD60H	1.00	0.98	1.02
TM8E100C16MP11	XAFC60H	1.00	0.99	1.02
TM8E100C16MP11	XAFD48F	0.98	0.96	1.04
TM8E100C16MP11	XAFD60J	1.00	0.98	1.02
TM8E100C16MP11	XAHC48F	0.98	0.97	1.04
TM8E100C16MP11	XAHC60G	0.98	0.98	1.02
TM8E100C16MP11	XAHC60H	1.00	0.99	1.02
TM8E100C16MP11	XAHD48F	0.98	0.96	1.04
TM8E100C16MP11	XAHD60G	0.98	0.98	1.02
TM8E100C16MP11	XAHD60H	1.00	0.98	1.02
TM8E100C16MP11	XAHD60J	1.00	0.98	1.02
TM8E100C20MP11	CF/CM/CU48C	1.00	1.09	1.00
TM8E100C20MP11	CF/CM/CU48D	0.98	1.02	1.02
TM8E100C20MP11	CF/CM/CU60C	1.00	1.07	1.00
TM8E100C20MP11	CF/CM/CU60D	1.00	1.09	1.00
TM8E100C20MP11	CF/CM64D	1.00	1.08	0.98
TM8E100C20MP11	XAF/XAUC48F	0.98	0.95	1.00
TM8E100C20MP11	XAF/XAUC60G	0.99	0.97	0.99
TM8E100C20MP11	XAF/XAUD60G	0.99	0.96	0.99
TM8E100C20MP11	XAF/XAUD60H	1.00	0.97	0.98
TM8E100C20MP11	XAFC60H	1.00	1.01	0.97
TM8E100C20MP11	XAFD48F	0.98	0.94	1.02
TM8E100C20MP11	XAFD60J	1.00	0.96	0.98
TM8E100C20MP11	XAHC48F	0.98	0.95	1.00
TM8E100C20MP11	XAHC60G	0.99	0.97	0.99
TM8E100C20MP11	XAHC60H	1.00	0.98	0.98
TM8E100C20MP11	XAHD48F	0.98	0.94	1.02
TM8E100C20MP11	XAHD60G	0.98	0.94	0.98
TM8E100C20MP11	XAHD60H	1.00	0.97	0.98
TM8E100C20MP11	XAHD60J	1.00	0.96	0.98
TM8E120C16MP11	CF/CM/CU48C	0.98	1.02	1.04
TM8E120C16MP11	CF/CM/CU48D	0.97	1.03	1.03
TM8E120C16MP11	CF/CM/CU60C	1.00	1.09	1.04
TM8E120C16MP11	CF/CM/CU60D	0.99	1.01	0.99
TM8E120C16MP11	CF/CM64D	1.00	1.10	1.00
TM8E120C16MP11	XAF/XAUC48F	0.98	0.97	1.04
TM8E120C16MP11	XAF/XAUC60G	0.99	0.98	1.03
TM8E120C16MP11	XAF/XAUD60G	0.99	0.97	1.03
TM8E120C16MP11	XAF/XAUD60H	1.00	0.98	1.02
TM8E120C16MP11	XAFC60H	1.00	0.99	1.02
TM8E120C16MP11	XAFD48F	0.98	0.96	1.04
TM8E120C16MP11	XAFD60J	1.00	0.98	1.02
TM8E120C16MP11	XAHC48F	0.98	0.97	1.04

FURNACE MULTIPLIERS - 4 TON (Continued)

Furnaces	Coil	T.C.	S.C.	KW
TM8E120C16MP11	XAHC60G	0.99	0.98	1.03
TM8E120C16MP11	XAHC60H	1.00	0.99	1.02
TM8E120C16MP11	XAHD48F	0.98	0.96	1.04
TM8E120C16MP11	XAHD60G	0.98	0.98	1.02
TM8E120C16MP11	XAHD60H	1.00	0.98	1.02
TM8E120C16MP11	XAHD60J	1.00	0.98	1.02
TM8E120C20MP11	CF/CM/CU48C	0.98	1.07	1.04
TM8E120C20MP11	CF/CM/CU48D	1.00	1.08	1.00
TM8E120C20MP11	CF/CM/CU60C	1.00	1.07	1.00
TM8E120C20MP11	CF/CM/CU60D	1.00	1.08	1.00
TM8E120C20MP11	CF/CM64D	1.00	1.08	0.98
TM8E120C20MP11	XAF/XAUC48F	0.98	0.95	1.00
TM8E120C20MP11	XAF/XAUC60G	0.99	0.96	0.99
TM8E120C20MP11	XAF/XAUD60G	0.99	0.95	0.99
TM8E120C20MP11	XAF/XAUD60H	1.00	0.97	0.98
TM8E120C20MP11	XAFC60H	1.00	0.99	0.97
TM8E120C20MP11	XAFD48F	0.99	0.95	1.01
TM8E120C20MP11	XAFD60J	1.00	0.96	0.98
TM8E120C20MP11	XAHC48F	0.98	0.95	1.00
TM8E120C20MP11	XAHC60G	0.99	0.96	0.99
TM8E120C20MP11	XAHC60H	1.00	0.98	0.98
TM8E120C20MP11	XAHD48F	0.98	0.94	1.00
TM8E120C20MP11	XAHD60G	0.98	0.96	0.98
TM8E120C20MP11	XAHD60H	1.00	0.97	0.98
TM8E120C20MP11	XAHD60J	1.00	0.96	0.98
TM8E130D20MP11	CF/CM/CU48D	0.98	1.04	1.02
TM8E130D20MP11	CF/CM/CU60D	1.00	1.12	1.02
TM8E130D20MP11	CF/CM64D	1.00	1.11	1.00
TM8E130D20MP11	XAF/XAUD60G	0.99	0.99	1.01
TM8E130D20MP11	XAF/XAUD60H	1.00	0.99	1.00
TM8E130D20MP11	XAFD48F	0.99	0.98	1.03
TM8E130D20MP11	XAFD60J	1.00	1.00	1.00
TM8E130D20MP11	XAHD48F	0.99	0.98	1.03
TM8E130D20MP11	XAHD60G	0.99	0.98	1.01
TM8E130D20MP11	XAHD60H	1.00	0.99	1.00
TM8E130D20MP11	XAHD60J	1.00	1.02	0.99
TM8V080C16MP11C	CF/CM/CU48C	1.00	1.04	1.00
TM8V080C16MP11C	CF/CM/CU60C	1.00	1.05	1.00
TM8V080C16MP11C	CF/CM64D	1.00	1.05	1.00
TM8V080C16MP12C	CF/CM/CU48C	1.00	1.04	1.00
TM8V080C16MP12C	CF/CM/CU60C	1.00	1.05	1.00
TM8V080C16MP12C	CF/CM64D	1.00	1.05	1.00
TM8V080C16MP12C	XAF/XAUC48F	0.98	0.94	1.02
TM8V080C16MP12C	XAF/XAUC60G	0.98	0.95	1.00
TM8V080C16MP12C	XAF/XAUD60G	0.98	0.94	1.00
TM8V080C16MP12C	XAF/XAUD60H	0.99	0.95	0.99
TM8V080C16MP12C	XAFC60H	0.99	0.96	0.99
TM8V080C16MP12C	XAFD48F	0.98	0.93	1.00
TM8V080C16MP12C	XAFD60J	1.00	0.95	1.00
TM8V080C16MP12C	XAHC48F	0.98	0.94	1.02
TM8V080C16MP12C	XAHC60G	0.97	0.94	0.97
TM8V080C16MP12C	XAHC60H	1.00	0.96	1.00
TM8V080C16MP12C	XAHD48F	0.98	0.93	1.02
TM8V080C16MP12C	XAHD60G	0.98	0.95	1.02
TM8V080C16MP12C	XAHD60H	1.00	0.95	0.98
TM8V080C16MP12C	XAHD60J	1.00	0.95	1.00
TM8V120C20MP11C	CF/CM/CU48C	1.00	1.04	0.98
TM8V120C20MP11C	CF/CM/CU60C	1.00	1.09	1.00
TM8V120C20MP11C	CF/CM64D	1.00	1.05	0.98
TM8V120C20MP12C	CF/CM/CU48C	1.00	1.04	0.98
TM8V120C20MP12C	CF/CM/CU60C	1.00	1.09	1.00
TM8V120C20MP12C	CF/CM64D	1.00	1.05	0.98
TM8V120C20MP12C	XAF/XAUC60G	0.98	0.95	0.98
TM8V120C20MP12C	XAF/XAUD60G	0.98	0.94	0.98
TM8V120C20MP12C	XAF/XAUD60H	1.00	1.02	1.04
TM8V120C20MP12C	XAFC60H	1.00	0.96	0.98
TM8V120C20MP12C	XAFD48F	0.99	1.01	1.05
TM8V120C20MP12C	XAFD60J	1.00	0.95	0.98
TM8V120C20MP12C	XAHC48F	0.98	0.94	1.00
TM8V120C20MP12C	XAHC60G	0.99	0.95	0.99
TM8V120C20MP12C	XAHC60H	1.00	0.95	0.96
TM8V120C20MP12C	XAHD60H	1.00	0.95	0.98
TM8V120C20MP12C	XAHD60J	1.00	0.94	0.98
TM8V120C20MP12C	XAHD60H	1.00	0.95	0.98
TM8V120C20MP12C	XAHD60J	1.00	0.94	0.98

FURNACE MULTIPLIERS - 4 TON (Continued)

Furnaces	Coil	T.C.	S.C.	KW
TM8V080C16MP12C	XAHD60J	1.00	0.95	1.00
TM8V100C16MP11C	CF/CM/CU48C	1.00	1.04	1.00
TM8V100C16MP11C	CF/CM/CU60C	1.00	1.05	1.00
TM8V100C16MP11C	CF/CM64D	1.00	1.05	1.00
TM8V100C16MP12C	CF/CM/CU48C	1.00	1.04	1.00
TM8V100C16MP12C	CF/CM/CU60C	1.00	1.05	1.00
TM8V100C16MP12C	CF/CM64D	1.00	1.05	1.00
TM8V100C16MP12C	XAF/XAUC48F	0.98	0.94	1.02
TM8V100C16MP12C	XAF/XAUC60G	0.98	0.95	1.00
TM8V100C16MP12C	XAF/XAUD60G	0.98	0.94	1.00
TM8V100C16MP12C	XAF/XAUD60H	0.99	0.95	0.99
TM8V100C16MP12C	XAFC60H	0.99	0.96	0.99
TM8V100C16MP12C	XAFD48F	0.98	0.93	1.00
TM8V100C16MP12C	XAFD60J	1.00	0.95	1.00
TM8V100C16MP12C	XAHC48F	0.98	0.94	1.02
TM8V100C16MP12C	XAHC60G	0.97	0.94	0.97
TM8V100C16MP12C	XAHC60H	1.00	0.96	1.00
TM8V100C16MP12C	XAHD48F	0.98	0.93	1.02
TM8V100C16MP12C	XAHD60G	0.98	0.95	1.02
TM8V100C16MP12C	XAHD60H	0.99	0.95	0.99
TM8V100C16MP12C	XAHD60J	1.00	0.95	1.00
TM8V100C20MP11C	CF/CM/CU48C	1.00	1.04	0.98
TM8V100C20MP11C	CF/CM/CU60C	1.00	1.09	1.00
TM8V100C20MP11C	CF/CM64D	1.00	1.05	0.98
TM8V100C20MP12C	CF/CM/CU48C	1.00	1.04	0.98
TM8V100C20MP12C	CF/CM/CU60C	1.00	1.09	1.00
TM8V100C20MP12C	CF/CM64D	1.00	1.05	0.98
TM8V100C20MP12C	XAF/XAUC60G	0.98	0.95	0.98
TM8V100C20MP12C	XAF/XAUD60G	0.98	0.94	0.98
TM8V100C20MP12C	XAF/XAUD60H	1.00	1.02	1.04
TM8V100C20MP12C	XAFC60H	1.00	0.96	0.98
TM8V100C20MP12C	XAFD48F	0.99	1.01	1.05
TM8V100C20MP12C	XAFD60J	1.00	0.95	0.98
TM8V100C20MP12C	XAHC48F	0.98	0.94	1.00
TM8V100C20MP12C	XAHC60G	0.99	0.95	0.99
TM8V100C20MP12C	XAHC60H	1.00	0.95	0.96
TM8V100C20MP12C	XAHD60H	1.00	0.95	0.98
TM8V100C20MP12C	XAHD60J	1.00	0.94	0.98
TM8V120C20MP11C	CF/CM/CU48C	1.00	1.04	0.98
TM8V120C20MP11C	CF/CM/CU60C	1.00	1.09	1.00
TM8V120C20MP11C	CF/CM64D	1.00	1.05	0.98
TM8V120C20MP12C	CF/CM/CU48C	1.00	1.04	0.98
TM8V120C20MP12C	CF/CM/CU60C	1.00	1.09	1.00
TM8V120C20MP12C	CF/CM64D	1.00	1.05	0.98
TM8V120C20MP12C	XAF/XAUC60G	0.98	0.95	0.98
TM8V120C20MP12C	XAF/XAUD60G	0.98	0.94	0.98
TM8V120C20MP12C	XAF/XAUD60H	1.00	1.02	1.04
TM8V120C20MP12C	XAFC60H	1.00	0.96	0.98
TM8V120C20MP12C	XAFD48F	0.99	1.01	1.05
TM8V120C20MP12C	XAFD60J	1.00	0.95	0.98
TM8V120C20MP12C	XAHC48F	0.98	0.94	1.00
TM8V120C20MP12C	XAHC60G	0.99	0.95	0.99
TM8V120C20MP12C	XAHC60H	1.00	0.95	0.96
TM8V120C20MP12C	XAHD60H	1.00	0.95	0.98
TM8V120C20MP12C	XAHD60J	1.00	0.94	0.98
TM8V120C20MP12C	XAHD60H	1.00	0.95	0.98
TM8V120C20MP12C	XAHD60J	1.00	0.94	0.98

FURNACE MULTIPLIERS - 4 TON (Continued)

Furnaces	Coil	T.C.	S.C.	KW
TM8X080C16MP11	CF/CM/CU48C	1.00	1.03	1.00
TM8X080C16MP11	CF/CM/CU48D	1.00	1.04	1.00
TM8X080C16MP11	CF/CM/CU60C	0.98	1.01	1.00
TM8X080C16MP11	CF/CM/CU60D	0.99	1.02	0.99
TM8X080C16MP11	CF/CM64D	1.00	1.03	1.00
TM8X100C16MP11	CF/CM/CU48C	1.00	1.03	1.00
TM8X100C16MP11	CF/CM/CU48D	1.00	1.04	1.00
TM8X100C16MP11	CF/CM/CU60C	0.98	1.01	1.00
TM8X100C16MP11	CF/CM/CU60D	0.99	1.02	0.99
TM8X100C16MP11	CF/CM64D	1.00	1.03	1.00
TM8X100C20MP11	CF/CM/CU48C	1.00	1.04	0.98
TM8X100C20MP11	CF/CM/CU48D	1.00	1.05	0.98
TM8X100C20MP11	CF/CM/CU60C	0.99	1.02	0.99
TM8X100C20MP11	CF/CM/CU60D	0.99	1.04	0.97
TM8X100C20MP11	CF/CM64D	1.00	1.04	0.96
TM8X120C20MP11	CF/CM/CU48C	1.00	1.04	0.98
TM8X120C20MP11	CF/CM/CU48D	1.00	1.05	0.98
TM8X120C20MP11	CF/CM/CU60C	0.99	1.02	0.99
TM8X120C20MP11	CF/CM/CU60D	0.99	1.04	0.97
TM8X120C20MP11	CF/CM64D	1.00	1.04	0.96
TM8X120C20MP12C	CF/CM/CU48C	1.00	1.04	0.98
TM8X120C20MP12C	CF/CM/CU60C	1.00	1.05	0.98
TM8X120C20MP12C	CF/CM64D	1.00	1.04	0.96
TM8Y080C16MP11	CF/CM/CU48C	1.00	1.03	1.00
TM8Y080C16MP11	CF/CM/CU48D	1.00	1.04	1.00
TM8Y080C16MP11	CF/CM/CU60C	0.98	1.01	1.00
TM8Y080C16MP11	CF/CM/CU60D	0.99	1.02	0.99
TM8Y080C16MP11	CF/CM64D	1.00	1.03	1.00
TM8Y080C16MP11	XAF/XAUC48F	0.97	0.91	0.99
TM8Y080C16MP11	XAF/XAUC60G	0.98	0.97	1.02
TM8Y080C16MP11	XAF/XAUD60G	0.98	0.93	0.98
TM8Y080C16MP11	XAF/XAUD60H	1.00	0.98	1.02
TM8Y080C16MP11	XAFC60H	0.99	0.95	0.97
TM8Y080C16MP11	XAFD48F	0.97	0.91	0.99
TM8Y080C16MP11	XAFD60J	1.00	0.93	0.98
TM8Y080C16MP11	XAHC48F	0.97	0.91	0.99
TM8Y080C16MP11	XAHC60G	0.98	0.94	0.98
TM8Y080C16MP11	XAHC60H	0.99	0.95	0.97
TM8Y080C16MP11	XAHD48F	0.97	0.91	0.99
TM8Y080C16MP11	XAHD60G	0.98	0.97	1.02
TM8Y080C16MP11	XAHD60H	0.99	0.94	0.97
TM8Y080C16MP11	XAHD60J	1.00	0.97	1.02
TM8Y100C16MP11	CF/CM/CU48C	1.00	1.03	1.00
TM8Y100C16MP11	CF/CM/CU48D	1.00	1.04	1.00
TM8Y100C16MP11	CF/CM/CU60C	0.98	1.01	1.00
TM8Y100C16MP11	CF/CM/CU60D	0.99	1.02	0.99
TM8Y100C16MP11	CF/CM64D	1.00	1.03	1.00
TM8Y100C16MP11	XAF/XAUC48F	0.97	0.91	0.99
TM8Y100C16MP11	XAF/XAUC60G	0.98	0.97	1.02
TM8Y100C16MP11	XAF/XAUD60G	0.98	0.93	0.98
TM8Y100C16MP11	XAF/XAUD60H	1.00	0.98	1.02
TM8Y100C16MP11	XAFC60H	0.99	0.95	0.97
TM8Y100C16MP11	XAFD48F	0.97	0.91	0.99
TM8Y100C16MP11	XAFD60J	1.00	0.93	0.98
TM8Y100C16MP11	XAHC48F	0.97	0.91	0.99

FURNACE MULTIPLIERS - 4 TON (Continued)

Furnaces	Coil	T.C.	S.C.	KW
TM8Y100C16MP11	XAHC60G	0.98	0.94	0.98
TM8Y100C16MP11	XAHC60H	0.99	0.95	0.97
TM8Y100C16MP11	XAHD48F	0.97	0.91	0.99
TM8Y100C16MP11	XAHD60G	0.98	0.97	1.02
TM8Y100C16MP11	XAHD60H	0.99	0.94	0.97
TM8Y100C16MP11	XAHD60J	1.00	0.97	1.02
TM8Y100C20MP11	CF/CM/CU48C	1.00	1.04	0.98
TM8Y100C20MP11	CF/CM/CU48D	1.00	1.05	0.98
TM8Y100C20MP11	CF/CM/CU60C	0.99	1.02	0.99
TM8Y100C20MP11	CF/CM/CU60D	0.99	1.04	0.97
TM8Y100C20MP11	CF/CM64D	1.00	1.04	0.96
TM8Y100C20MP11	XAF/XAUC48F	0.98	0.92	0.98
TM8Y100C20MP11	XAF/XAUC60G	0.98	0.94	0.98
TM8Y100C20MP11	XAF/XAUD60G	0.98	0.93	0.98
TM8Y100C20MP11	XAF/XAUD60H	1.00	0.97	0.98
TM8Y100C20MP11	XAFC60H	1.00	0.95	0.96
TM8Y100C20MP11	XAFD48F	0.98	0.95	1.00
TM8Y100C20MP11	XAFD60J	1.00	0.93	0.98
TM8Y100C20MP11	XAHC48F	0.98	0.96	1.00
TM8Y100C20MP11	XAHC60G	0.98	0.94	0.98
TM8Y100C20MP11	XAHC60H	1.00	0.95	0.96
TM8Y100C20MP11	XAHD48F	0.98	0.91	0.98
TM8Y100C20MP11	XAHD60G	0.98	0.93	0.98
TM8Y100C20MP11	XAHD60H	1.00	0.97	0.98
TM8Y100C20MP11	XAHD60J	1.00	0.92	0.98
TM8Y120C20MP11	CF/CM/CU48C	1.00	1.04	0.98
TM8Y120C20MP11	CF/CM/CU48D	1.00	1.05	0.98
TM8Y120C20MP11	CF/CM/CU60C	0.99	1.02	0.99
TM8Y120C20MP11	CF/CM/CU60D	0.99	1.04	0.97
TM8Y120C20MP11	CF/CM64D	1.00	1.04	0.96
TM8Y120C20MP11	XAF/XAUC48F	0.98	0.92	0.98
TM8Y120C20MP11	XAF/XAUC60G	0.98	0.94	0.98
TM8Y120C20MP11	XAF/XAUD60G	0.98	0.93	0.98
TM8Y120C20MP11	XAF/XAUD60H	1.00	0.97	0.98
TM8Y120C20MP11	XAFC60H	1.00	0.95	0.96
TM8Y120C20MP11	XAFD48F	0.98	0.95	1.00
TM8Y120C20MP11	XAFD60J	1.00	0.93	0.98
TM8Y120C20MP11	XAHC48F	0.98	0.96	1.00
TM8Y120C20MP11	XAHC60G	0.98	0.94	0.98
TM8Y120C20MP11	XAHC60H	1.00	0.95	0.96
TM8Y120C20MP11	XAHD48F	0.98	0.91	0.98
TM8Y120C20MP11	XAHD60G	0.98	0.93	0.98
TM8Y120C20MP11	XAHD60H	1.00	0.97	0.98
TM8Y120C20MP11	XAHD60J	1.00	0.92	0.98
TM9E080B12MP11	CF/CM/CU48C	0.99	1.01	1.03
TM9E080B12MP11	CF/CM/CU60C	0.98	1.00	1.04
TM9E080B12MP12	CF/CM/CU48C	0.98	1.01	1.04
TM9E080B12MP12	CF/CM/CU60C	0.98	1.00	1.04
TM9E080C16MP11	CF/CM/CU48C	0.99	1.03	1.03
TM9E080C16MP11	CF/CM/CU48D	0.99	1.04	1.03
TM9E080C16MP11	CF/CM/CU60C	0.98	1.01	1.02
TM9E080C16MP11	CF/CM/CU60D	0.98	1.02	1.02
TM9E080C16MP11	CF/CM64D	1.00	1.05	1.02
TM9E080C20MP12	CF/CM/CU48C	1.00	1.08	1.00
TM9E080C20MP12	CF/CM/CU48D	1.00	1.08	1.00

FURNACE MULTIPLIERS - 4 TON (Continued)

Furnaces	Coil	T.C.	S.C.	KW
TM9E080C20MP12	CF/CM/CU60C	1.00	1.07	1.00
TM9E080C20MP12	CF/CM/CU60D	1.00	1.08	1.00
TM9E080C20MP12	CF/CM64D	1.00	1.07	0.98
TM9E080C20MP12	XAF/XAUC48F	0.98	0.95	1.00
TM9E080C20MP12	XAF/XAUC60G	0.98	0.94	0.98
TM9E080C20MP12	XAF/XAUD60G	0.98	0.94	0.98
TM9E080C20MP12	XAF/XAUD60H	1.00	0.97	0.98
TM9E080C20MP12	XAFC60H	1.00	0.97	0.98
TM9E080C20MP12	XAFD48F	0.98	0.94	1.00
TM9E080C20MP12	XAFD60J	1.00	0.96	0.98
TM9E080C20MP12	XAHC48F	0.98	0.95	1.00
TM9E080C20MP12	XAHC60G	0.99	0.97	0.99
TM9E080C20MP12	XAHC60H	1.00	0.98	0.98
TM9E080C20MP12	XAHD48F	0.98	0.94	1.00
TM9E080C20MP12	XAHD60G	0.98	0.96	0.98
TM9E080C20MP12	XAHD60H	1.00	0.97	0.98
TM9E080C20MP12	XAHD60J	1.00	0.95	1.00
TM9E100C16MP11	CF/CM/CU48C	0.99	1.04	1.01
TM9E100C16MP11	CF/CM/CU48D	0.99	1.04	1.03
TM9E100C16MP11	CF/CM/CU60C	0.98	1.02	1.02
TM9E100C16MP11	CF/CM/CU60D	0.99	1.04	1.03
TM9E100C16MP11	CF/CM64D	1.00	1.05	1.00
TM9E100C16MP12	CF/CM/CU60D	1.00	1.09	1.06
TM9E100C20MP11	CF/CM/CU48C	1.00	1.08	1.04
TM9E100C20MP11	CF/CM/CU48D	0.97	1.01	1.03
TM9E100C20MP11	CF/CM/CU60C	1.00	1.07	1.04
TM9E100C20MP11	CF/CM/CU60D	0.99	1.08	1.03
TM9E100C20MP11	CF/CM64D	1.00	1.09	1.00
TM9E100C20MP12	CF/CM/CU48C	1.00	1.08	1.00
TM9E100C20MP12	CF/CM/CU48D	0.98	1.02	1.00
TM9E100C20MP12	CF/CM/CU60C	0.99	1.04	0.99
TM9E100C20MP12	CF/CM/CU60D	1.00	1.09	1.00
TM9E100C20MP12	CF/CM64D	1.00	1.08	0.98
TM9E100C20MP12	XAF/XAUC48F	0.98	0.95	1.00
TM9E100C20MP12	XAF/XAUC60G	0.98	0.94	0.98
TM9E100C20MP12	XAF/XAUD60G	0.98	0.93	0.98
TM9E100C20MP12	XAF/XAUD60H	1.00	1.01	1.02
TM9E100C20MP12	XAFC60H	1.00	0.97	0.98
TM9E100C20MP12	XAFD48F	0.98	0.92	1.00
TM9E100C20MP12	XAFD60J	1.00	0.96	0.98
TM9E100C20MP12	XAHC48F	0.98	0.95	1.00
TM9E100C20MP12	XAHC60G	0.99	0.96	0.99
TM9E100C20MP12	XAHC60H	1.00	1.05	1.02
TM9E100C20MP12	XAHD48F	0.98	0.92	1.00
TM9E100C20MP12	XAHD60G	0.98	0.94	0.98
TM9E100C20MP12	XAHD60H	1.00	1.01	1.02
TM9E100C20MP12	XAHD60J	1.00	0.96	0.98
TM9E120D20MP11	CF/CM/CU48D	1.00	1.05	0.98
TM9E120D20MP11	CF/CM/CU60D	0.99	1.04	0.99
TM9E120D20MP11	CF/CM64D	1.00	1.04	0.98
TM9E120D20MP12	CF/CM/CU48D	0.98	1.04	1.04
TM9E120D20MP12	CF/CM/CU60D	1.00	1.10	1.02
TM9E120D20MP12	CF/CM64D	1.00	1.06	0.98
TM9E120D20MP12	XAF/XAUD60G	0.99	0.98	1.01
TM9E120D20MP12	XAF/XAUD60H	1.00	0.99	1.02

FURNACE MULTIPLIERS - 4 TON (Continued)

Furnaces	Coil	T.C.	S.C.	KW
TM9E120D20MP12	XAFD48F	0.99	0.98	1.05
TM9E120D20MP12	XAFD60J	1.00	1.03	1.00
TM9E120D20MP12	XAHD48F	0.99	0.98	1.05
TM9E120D20MP12	XAHD60G	0.98	0.95	1.00
TM9E120D20MP12	XAHD60H	1.00	0.99	1.02
TM9E120D20MP12	XAHD60J	1.00	0.99	1.02
TM9V080C16MP11C	CF/CM/CU48C	0.99	1.03	1.01
TM9V080C16MP11C	CF/CM/CU48D	0.99	1.03	1.01
TM9V080C16MP11C	CF/CM/CU60C	1.00	1.05	1.02
TM9V080C16MP11C	CF/CM/CU60D	1.00	1.08	1.04
TM9V080C16MP11C	CF/CM64D	1.00	1.07	1.02
TM9V080C16MP12C	CF/CM/CU48C	0.99	1.02	1.01
TM9V080C16MP12C	CF/CM/CU48D	0.99	1.03	1.01
TM9V080C16MP12C	CF/CM/CU60C	1.00	1.05	1.02
TM9V080C16MP12C	CF/CM/CU60D	1.00	1.08	1.04
TM9V080C16MP12C	CF/CM64D	1.00	1.07	1.02
TM9V080C16MP12C	XAF/XAUC48F	0.97	0.92	1.01
TM9V080C16MP12C	XAF/XAUC60G	0.97	0.95	1.01
TM9V080C16MP12C	XAF/XAUD60G	0.97	0.94	1.01
TM9V080C16MP12C	XAF/XAUD60H	0.99	0.97	1.01
TM9V080C16MP12C	XAFC60H	0.99	0.98	1.01
TM9V080C16MP12C	XAFD48F	0.97	0.91	1.01
TM9V080C16MP12C	XAFD60J	1.00	0.97	1.02
TM9V080C16MP12C	XAHC48F	0.97	0.92	1.01
TM9V080C16MP12C	XAHC60G	0.97	0.95	1.01
TM9V080C16MP12C	XAHC60H	0.99	0.98	1.01
TM9V080C16MP12C	XAHD48F	0.97	0.91	1.01
TM9V080C16MP12C	XAHD60G	0.97	0.95	1.01
TM9V080C16MP12C	XAHD60H	0.99	0.97	1.01
TM9V080C16MP12C	XAHD60J	1.00	0.94	1.02
TM9V100C16MP11C	CF/CM/CU48C	0.99	1.02	0.99
TM9V100C16MP11C	CF/CM/CU60C	1.00	1.10	1.04
TM9V100C16MP11C	CF/CM64D	1.00	1.07	1.00
TM9V100C16MP12C	CF/CM/CU48C	0.99	1.01	0.99
TM9V100C16MP12C	CF/CM/CU60C	1.00	1.10	1.04
TM9V100C16MP12C	CF/CM64D	1.00	1.07	1.00
TM9V100C16MP12C	XAF/XAUC48F	0.98	0.94	1.02
TM9V100C16MP12C	XAF/XAUC60G	0.98	0.95	0.98
TM9V100C16MP12C	XAF/XAUD60G	0.98	0.95	1.00
TM9V100C16MP12C	XAF/XAUD60H	0.99	0.95	0.99
TM9V100C16MP12C	XAFC60H	1.00	0.96	1.00
TM9V100C16MP12C	XAFD48F	0.98	0.93	1.00
TM9V100C16MP12C	XAFD60J	1.00	0.96	1.00
TM9V100C16MP12C	XAHC48F	0.98	0.94	1.02
TM9V100C16MP12C	XAHC60G	0.98	0.96	1.02
TM9V100C16MP12C	XAHC60H	1.00	0.96	0.98
TM9V100C16MP12C	XAHD48F	0.98	0.93	1.00
TM9V100C16MP12C	XAHD60G	0.98	0.97	1.00
TM9V100C16MP12C	XAHD60H	0.99	0.95	0.99
TM9V100C16MP12C	XAHD60J	1.00	0.96	1.00
TM9V100C20MP11C	CF/CM/CU48C	1.00	1.03	1.00
TM9V100C20MP11C	CF/CM/CU60C	1.00	1.11	1.04
TM9V100C20MP11C	CF/CM64D	1.00	1.07	1.00
TM9V100C20MP12C	CF/CM/CU48C	1.00	1.03	1.00
TM9V100C20MP12C	CF/CM/CU60C	1.00	1.10	1.04

FURNACE MULTIPLIERS - 4 TON (Continued)

Furnaces	Coil	T.C.	S.C.	KW
TM9V100C20MP12C	CF/CM64D	1.00	1.07	1.00
TM9V100C20MP12C	XAF/XAUC48F	0.98	0.95	1.02
TM9V100C20MP12C	XAF/XAUC60G	0.98	0.96	1.02
TM9V100C20MP12C	XAF/XAUD60G	0.98	0.95	1.00
TM9V100C20MP12C	XAF/XAUD60H	1.00	0.97	1.00
TM9V100C20MP12C	XAFC60H	1.00	0.97	1.00
TM9V100C20MP12C	XAFD48F	0.98	0.94	1.02
TM9V100C20MP12C	XAFD60J	1.00	0.96	1.00
TM9V100C20MP12C	XAHC48F	0.98	0.95	1.02
TM9V100C20MP12C	XAHC60G	0.98	0.96	1.02
TM9V100C20MP12C	XAHC60H	1.00	0.97	1.00
TM9V100C20MP12C	XAHD48F	0.98	0.94	1.02
TM9V100C20MP12C	XAHD60G	0.98	0.97	1.00
TM9V100C20MP12C	XAHD60H	1.00	0.97	1.00
TM9V100C20MP12C	XAHD60J	1.00	0.96	1.00
TM9V120D20MP11C	CF/CM/CU48D	1.00	1.05	0.98
TM9V120D20MP11C	CF/CM/CU60D	1.00	1.09	0.98
TM9V120D20MP11C	CF/CM64D	1.00	1.05	0.98
TM9V120D20MP12C	CF/CM/CU48D	1.00	1.05	0.98
TM9V120D20MP12C	CF/CM/CU60D	1.00	1.09	0.98
TM9V120D20MP12C	CF/CM64D	1.00	1.05	0.98
TM9V120D20MP12C	XAF/XAUD60G	0.99	0.98	0.99
TM9V120D20MP12C	XAF/XAUD60H	1.00	0.99	1.00
TM9V120D20MP12C	XAFD48F	0.98	0.94	1.00
TM9V120D20MP12C	XAFD60J	1.00	0.99	1.00
TM9V120D20MP12C	XAHD48F	0.98	0.94	1.00
TM9V120D20MP12C	XAHD60G	0.99	0.98	1.01
TM9V120D20MP12C	XAHD60H	1.00	0.99	1.00
TM9V120D20MP12C	XAHD60J	1.00	0.99	1.00
TM9Y080C16MP11	CF/CM/CU48C	0.99	1.03	1.03
TM9Y080C16MP11	CF/CM/CU48D	0.99	1.04	1.03
TM9Y080C16MP11	CF/CM/CU60C	0.98	1.01	1.02
TM9Y080C16MP11	CF/CM/CU60D	0.98	1.02	1.02
TM9Y080C16MP11	CF/CM64D	1.00	1.05	1.02
TM9Y080C16MP11	XAF/XAUC48F	0.97	0.92	1.01
TM9Y080C16MP11	XAF/XAUC60G	0.97	0.95	1.01
TM9Y080C16MP11	XAF/XAUD60G	0.97	0.94	1.01
TM9Y080C16MP11	XAF/XAUD60H	0.99	0.95	1.01
TM9Y080C16MP11	XAFC60H	0.99	0.95	1.01
TM9Y080C16MP11	XAFD48F	0.97	0.91	1.01
TM9Y080C16MP11	XAFD60J	1.00	0.94	1.02
TM9Y080C16MP11	XAHC48F	0.97	0.92	1.01
TM9Y080C16MP11	XAHC60G	0.97	0.95	1.01
TM9Y080C16MP11	XAHC60H	0.99	0.96	1.01
TM9Y080C16MP11	XAHD48F	0.97	0.91	1.01
TM9Y080C16MP11	XAHD60G	0.97	0.95	1.01
TM9Y080C16MP11	XAHD60H	0.99	0.95	1.01
TM9Y080C16MP11	XAHD60J	1.00	0.94	1.02
TM9Y100C16MP11	CF/CM/CU48C	0.99	1.04	1.01
TM9Y100C16MP11	CF/CM/CU60C	1.00	1.05	1.02
TM9Y100C16MP11	CF/CM64D	1.00	1.04	1.00
TM9Y100C16MP11	XAF/XAUC48F	0.97	0.92	1.01
TM9Y100C16MP11	XAF/XAUC60G	0.97	0.95	0.99
TM9Y100C16MP11	XAF/XAUD60G	0.97	0.94	1.01
TM9Y100C16MP11	XAF/XAUD60H	0.99	0.95	1.01

FURNACE MULTIPLIERS - 4 TON (Continued)

Furnaces	Coil	T.C.	S.C.	KW
TM9Y100C16MP11	XAFC60H	0.99	0.96	1.01
TM9Y100C16MP11	XAFD48F	0.97	0.91	1.01
TM9Y100C16MP11	XAFD60J	1.00	0.94	1.02
TM9Y100C16MP11	XAHC48F	0.97	0.92	1.01
TM9Y100C16MP11	XAHC60G	0.97	0.95	1.01
TM9Y100C16MP11	XAHC60H	0.99	0.96	0.99
TM9Y100C16MP11	XAHD48F	0.97	0.91	1.01
TM9Y100C16MP11	XAHD60G	0.97	0.95	1.01
TM9Y100C16MP11	XAHD60H	0.99	0.95	1.01
TM9Y100C16MP11	XAHD60J	1.00	0.94	1.02
TM9Y100C20MP11	CF/CM/CU48C	1.00	1.03	1.00
TM9Y100C20MP11	CF/CM/CU60C	0.99	1.02	0.99
TM9Y100C20MP11	CF/CM64D	1.00	1.08	1.00
TM9Y100C20MP11	XAF/XAUC48F	0.98	0.96	1.02
TM9Y100C20MP11	XAF/XAUC60G	0.98	0.97	1.02
TM9Y100C20MP11	XAF/XAUD60G	0.98	0.97	1.00
TM9Y100C20MP11	XAF/XAUD60H	1.00	0.97	1.02
TM9Y100C20MP11	XAFC60H	1.00	0.99	1.02
TM9Y100C20MP11	XAFD48F	0.98	0.95	1.02
TM9Y100C20MP11	XAFD60J	1.00	0.98	1.02
TM9Y100C20MP11	XAHC48F	0.98	0.96	1.02
TM9Y100C20MP11	XAHC60G	0.98	0.98	1.02
TM9Y100C20MP11	XAHC60H	1.00	0.98	1.02
TM9Y100C20MP11	XAHD48F	0.98	0.95	1.02
TM9Y100C20MP11	XAHD60G	0.98	0.97	1.02
TM9Y100C20MP11	XAHD60H	1.00	0.97	1.02
TM9Y100C20MP11	XAHD60J	1.00	0.97	1.02
TM9Y120D20MP11	CF/CM/CU48D	1.00	1.05	0.98
TM9Y120D20MP11	CF/CM/CU60D	1.00	1.05	0.98
TM9Y120D20MP11	CF/CM64D	1.00	1.04	0.98
TM9Y120D20MP11	XAF/XAUD60G	0.98	0.94	0.98
TM9Y120D20MP11	XAF/XAUD60H	0.99	0.95	0.97
TM9Y120D20MP11	XAFD48F	0.98	0.92	1.00
TM9Y120D20MP11	XAFD60J	1.00	0.94	0.98
TM9Y120D20MP11	XAHD48F	0.98	0.97	1.02
TM9Y120D20MP11	XAHD60G	0.98	0.94	0.98
TM9Y120D20MP11	XAHD60H	0.99	0.95	0.97
TM9Y120D20MP11	XAHD60J	1.00	0.99	1.00
TMLE080C16MP11	XAF/XAUC48F	0.98	0.97	1.04
TMLE080C16MP11	XAF/XAUC60G	0.98	0.98	1.02
TMLE080C16MP11	XAF/XAUD60G	0.98	0.97	1.02
TMLE080C16MP11	XAF/XAUD60H	1.00	0.98	1.02
TMLE080C16MP11	XAFC60H	1.00	0.99	1.02
TMLE080C16MP11	XAFD48F	0.98	0.96	1.04
TMLE080C16MP11	XAFD60J	1.00	0.98	1.02
TMLE080C16MP11	XAHC48F	0.98	0.97	1.04
TMLE080C16MP11	XAHC60G	0.98	0.98	1.02
TMLE080C16MP11	XAHC60H	1.00	0.99	1.02
TMLE080C16MP11	XAHD48F	0.98	0.96	1.04
TMLE080C16MP11	XAHD60J	1.00	0.98	1.02
TMLE080C20MP11	XAF/XAUC48F	0.99	1.01	1.05
TMLE080C20MP11	XAF/XAUC60G	0.99	0.95	0.99
TMLE080C20MP11	XAF/XAUD60G	0.99	0.94	0.99

FURNACE MULTIPLIERS - 4 TON (Continued)

Furnaces	Coil	T.C.	S.C.	KW
TMLE080C20MP11	XAF/XAUD60H	1.00	0.97	0.98
TMLE080C20MP11	XAFC60H	1.00	0.98	0.98
TMLE080C20MP11	XAFD48F	0.98	0.95	1.02
TMLE080C20MP11	XAFD60J	1.00	1.02	1.02
TMLE080C20MP11	XAHC48F	0.99	1.00	1.05
TMLE080C20MP11	XAHC60G	0.99	0.97	1.01
TMLE080C20MP11	XAHC60H	1.00	0.98	0.98
TMLE080C20MP11	XAHD48F	0.99	0.99	1.05
TMLE080C20MP11	XAHD60G	0.99	0.97	0.99
TMLE080C20MP11	XAHD60H	1.00	0.97	0.98
TMLE080C20MP11	XAHD60J	1.00	0.97	1.00
TMLE100C16MP11	XAF/XAUC48F	0.98	0.97	1.04
TMLE100C16MP11	XAF/XAUC60G	0.98	0.98	1.02
TMLE100C16MP11	XAF/XAUD60G	0.98	0.97	1.02
TMLE100C16MP11	XAF/XAUD60H	1.00	0.98	1.02
TMLE100C16MP11	XAFC60H	1.00	0.99	1.02
TMLE100C16MP11	XAFD48F	0.98	0.96	1.04
TMLE100C16MP11	XAFD60J	1.00	0.98	1.02
TMLE100C16MP11	XAHC48F	0.98	0.97	1.04
TMLE100C16MP11	XAHC60G	0.98	0.98	1.02
TMLE100C16MP11	XAHC60H	1.00	0.99	1.02
TMLE100C16MP11	XAHD48F	0.98	0.96	1.04
TMLE100C16MP11	XAHD60G	0.98	0.98	1.02
TMLE100C16MP11	XAHD60H	1.00	0.98	1.02
TMLE100C16MP11	XAHD60J	1.00	0.98	1.02
TMLE100C20MP11	XAF/XAUC48F	0.98	0.95	1.00
TMLE100C20MP11	XAF/XAUC60G	0.99	0.97	0.99
TMLE100C20MP11	XAF/XAUD60G	0.99	0.96	0.99
TMLE100C20MP11	XAF/XAUD60H	1.00	0.97	0.98
TMLE100C20MP11	XAFC60H	1.00	1.01	0.97
TMLE100C20MP11	XAFD48F	0.98	0.94	1.02
TMLE100C20MP11	XAFD60J	1.00	0.96	0.98
TMLE100C20MP11	XAHC48F	0.98	0.95	1.00
TMLE100C20MP11	XAHC60G	0.99	0.97	0.99
TMLE100C20MP11	XAHC60H	1.00	0.98	0.98
TMLE100C20MP11	XAHD48F	0.98	0.94	1.02
TMLE100C20MP11	XAHD60G	0.98	0.94	0.98
TMLE100C20MP11	XAHD60H	1.00	0.97	0.98
TMLE100C20MP11	XAHD60J	1.00	0.96	0.98
TMLE120C16MP11	XAF/XAUC48F	0.98	0.97	1.04
TMLE120C16MP11	XAF/XAUC60G	0.99	0.98	1.03
TMLE120C16MP11	XAF/XAUD60G	0.99	0.97	1.03
TMLE120C16MP11	XAF/XAUD60H	1.00	0.98	1.02
TMLE120C16MP11	XAFC60H	1.00	0.99	1.02
TMLE120C16MP11	XAFD48F	0.98	0.96	1.04
TMLE120C16MP11	XAFD60J	1.00	0.98	1.02
TMLE120C16MP11	XAHC48F	0.98	0.97	1.04
TMLE120C16MP11	XAHC60G	0.99	0.98	1.03
TMLE120C16MP11	XAHC60H	1.00	0.99	1.02
TMLE120C16MP11	XAHD48F	0.98	0.96	1.04
TMLE120C16MP11	XAHD60G	0.98	0.98	1.02
TMLE120C16MP11	XAHD60H	1.00	0.98	1.02
TMLE120C16MP11	XAHD60J	1.00	0.98	1.02
TMLE120C20MP11	XAF/XAUC48F	0.98	0.95	1.00
TMLE120C20MP11	XAF/XAUC60G	0.99	0.96	0.99

FURNACE MULTIPLIERS - 4 TON (Continued)

Furnaces	Coil	T.C.	S.C.	KW
TMLE120C20MP11	XAF/XAUD60G	0.99	0.95	0.99
TMLE120C20MP11	XAF/XAUD60H	1.00	0.97	0.98
TMLE120C20MP11	XAFC60H	1.00	0.99	0.97
TMLE120C20MP11	XAFD48F	0.99	0.95	1.01
TMLE120C20MP11	XAFD60J	1.00	0.96	0.98
TMLE120C20MP11	XAHC48F	0.98	0.95	1.00
TMLE120C20MP11	XAHC60G	0.99	0.96	0.99
TMLE120C20MP11	XAHC60H	1.00	0.98	0.98
TMLE120C20MP11	XAHD48F	0.98	0.94	1.00
TMLE120C20MP11	XAHD60G	0.98	0.96	0.98
TMLE120C20MP11	XAHD60H	1.00	0.97	0.98
TMLE120C20MP11	XAHD60J	1.00	0.96	0.98
TMLE130D20MP11	XAF/XAUD60G	0.99	0.99	1.01
TMLE130D20MP11	XAF/XAUD60H	1.00	0.99	1.00
TMLE130D20MP11	XAFD48F	0.99	0.98	1.03
TMLE130D20MP11	XAFD60J	1.00	1.00	1.00
TMLE130D20MP11	XAHD48F	0.99	0.98	1.03
TMLE130D20MP11	XAHD60G	0.99	0.98	1.01
TMLE130D20MP11	XAHD60H	1.00	0.99	1.00
TMLE130D20MP11	XAHD60J	1.00	1.02	0.99
TMLV080C16MP11C	CF/CM/CU48C	1.00	1.04	1.00
TMLV080C16MP11C	CF/CM/CU60C	1.00	1.05	1.00
TMLV080C16MP11C	CF/CM64D	1.00	1.05	1.00
TMLV080C16MP12C	CF/CM/CU48C	1.00	1.04	1.00
TMLV080C16MP12C	CF/CM/CU60C	1.00	1.05	1.00
TMLV080C16MP12C	CF/CM64D	1.00	1.05	1.00
TMLV100C16MP11C	CF/CM/CU48C	1.00	1.04	1.00
TMLV100C16MP11C	CF/CM/CU60C	1.00	1.05	1.00
TMLV100C16MP11C	CF/CM64D	1.00	1.05	1.00
TMLV100C16MP12C	CF/CM/CU48C	1.00	1.04	1.00
TMLV100C16MP12C	CF/CM/CU60C	1.00	1.05	1.00
TMLV100C16MP12C	CF/CM64D	1.00	1.05	1.00
TMLV100C16MP12C	XAF/XAUC48F	0.98	0.94	1.02
TMLV100C16MP12C	XAF/XAUC60G	0.98	0.95	1.00
TMLV100C16MP12C	XAF/XAUD60G	0.98	0.94	1.00
TMLV100C16MP12C	XAF/XAUD60H	0.99	0.95	0.99
TMLV100C16MP12C	XAFC60H	0.99	0.96	0.99
TMLV100C16MP12C	XAFD48F	0.98	0.93	1.00
TMLV100C16MP12C	XAFD60J	1.00	0.95	1.00
TMLV100C16MP12C	XAHC48F	0.98	0.94	1.02
TMLV100C16MP12C	XAHC60G	0.97	0.94	0.97
TMLV100C16MP12C	XAHC60H	1.00	0.96	1.00
TMLV100C16MP12C	XAHD48F	0.98	0.93	1.02
TMLV100C16MP12C	XAHD60G	0.98	0.95	1.02
TMLV100C16MP12C	XAHD60H	0.99	0.95	0.99
TMLV100C16MP12C	XAHD60J	1.00	0.95	1.00
TMLV100C20MP11C	CF/CM/CU48C	1.00	1.04	0.98
TMLV100C20MP11C	CF/CM/CU60C	1.00	1.09	1.00
TMLV100C20MP11C	CF/CM64D	1.00	1.05	0.98
TMLV100C20MP12C	CF/CM/CU48C	1.00	1.04	0.98
TMLV100C20MP12C	CF/CM/CU60C	1.00	1.09	1.00
TMLV100C20MP12C	CF/CM64D	1.00	1.05	0.98
TMLV120C20MP11C	CF/CM/CU48C	1.00	1.04	0.98
TMLV120C20MP11C	CF/CM/CU60C	1.00	1.09	1.00
TMLV120C20MP11C	CF/CM64D	1.00	1.05	0.98

FURNACE MULTIPLIERS - 4 TON (Continued)

Furnaces	Coil	T.C.	S.C.	KW
TMLV120C20MP12C	CF/CM/CU48C	1.00	1.04	0.98
TMLV120C20MP12C	CF/CM/CU60C	1.00	1.09	1.00
TMLV120C20MP12C	CF/CM64D	1.00	1.05	0.98
TMLV120C20MP12C	XAF/XAUC60G	0.98	0.95	0.98
TMLV120C20MP12C	XAF/XAUD60G	0.98	0.94	0.98
TMLV120C20MP12C	XAF/XAUD60H	1.00	1.02	1.04
TMLV120C20MP12C	XAFC60H	1.00	0.96	0.98
TMLV120C20MP12C	XAFD48F	0.99	1.01	1.05
TMLV120C20MP12C	XAFD60J	1.00	0.95	0.98
TMLV120C20MP12C	XAHC48F	0.98	0.94	1.00
TMLV120C20MP12C	XAHC60G	0.99	0.95	0.99
TMLV120C20MP12C	XAHC60H	1.00	0.95	0.96
TMLV120C20MP12C	XAHD60H	1.00	0.95	0.98
TMLV120C20MP12C	XAHD60J	1.00	0.94	0.98
TMLX080C16MP11	CF/CM/CU48C	1.00	1.03	1.00
TMLX080C16MP11	CF/CM/CU48D	1.00	1.04	1.00
TMLX080C16MP11	CF/CM/CU60C	0.98	1.01	1.00
TMLX080C16MP11	CF/CM/CU60D	0.99	1.02	0.99
TMLX080C16MP11	CF/CM64D	1.00	1.03	1.00
TMLX100C16MP11	CF/CM/CU48C	1.00	1.03	1.00
TMLX100C16MP11	CF/CM/CU48D	1.00	1.04	1.00
TMLX100C16MP11	CF/CM/CU60C	0.98	1.01	1.00
TMLX100C16MP11	CF/CM/CU60D	0.99	1.02	0.99
TMLX100C16MP11	CF/CM64D	1.00	1.03	1.00
TMLX100C20MP11	CF/CM/CU48C	1.00	1.04	0.98
TMLX100C20MP11	CF/CM/CU48D	1.00	1.05	0.98
TMLX100C20MP11	CF/CM/CU60C	0.99	1.02	0.99
TMLX100C20MP11	CF/CM/CU60D	0.99	1.04	0.97
TMLX100C20MP11	CF/CM64D	1.00	1.04	0.96
TMLX120C20MP11	CF/CM/CU48C	1.00	1.04	0.98
TMLX120C20MP11	CF/CM/CU48D	1.00	1.05	0.98
TMLX120C20MP11	CF/CM/CU60C	0.99	1.02	0.99
TMLX120C20MP11	CF/CM/CU60D	0.99	1.04	0.97
TMLX120C20MP11	CF/CM64D	1.00	1.04	0.96
TP9C080C16MP13C	CF/CM/CU48C	0.99	1.02	1.01
TP9C080C16MP13C	CF/CM/CU48D	0.99	1.03	1.01
TP9C080C16MP13C	CF/CM/CU60C	1.00	1.05	1.02
TP9C080C16MP13C	CF/CM/CU60D	1.00	1.08	1.04
TP9C080C16MP13C	CF/CM64D	1.00	1.07	1.02
TP9C080C16MP13C	XAF/XAUC48F	0.97	0.92	1.01
TP9C080C16MP13C	XAF/XAUC60G	0.97	0.95	1.01
TP9C080C16MP13C	XAF/XAUD60G	0.97	0.94	1.01
TP9C080C16MP13C	XAF/XAUD60H	0.99	0.97	1.01
TP9C080C16MP13C	XAFC60H	0.99	0.98	1.01
TP9C080C16MP13C	XAFD48F	0.97	0.91	1.01
TP9C080C16MP13C	XAFD60J	1.00	0.97	1.02
TP9C080C16MP13C	XAHC48F	0.97	0.92	1.01
TP9C080C16MP13C	XAHC60G	0.97	0.95	1.01
TP9C080C16MP13C	XAHC60H	0.99	0.98	1.01
TP9C080C16MP13C	XAHD48F	0.97	0.91	1.01
TP9C080C16MP13C	XAHD60G	0.97	0.95	1.01
TP9C080C16MP13C	XAHD60H	0.99	0.97	1.01
TP9C080C16MP13C	XAHD60J	1.00	0.94	1.02
TP9C100C16MP12C	CF/CM/CU48C	0.99	1.02	0.99
TP9C100C16MP12C	CF/CM/CU60C	1.00	1.10	1.04

FURNACE MULTIPLIERS - 4 TON (Continued)

Furnaces	Coil	T.C.	S.C.	KW
TP9C100C16MP12C	CF/CM64D	1.00	1.07	1.00
TP9C100C16MP13C	CF/CM/CU48C	0.99	1.01	0.99
TP9C100C16MP13C	CF/CM/CU60C	1.00	1.10	1.04
TP9C100C16MP13C	CF/CM64D	1.00	1.07	1.00
TP9C100C16MP13C	XAF/XAUC48F	0.98	0.94	1.02
TP9C100C16MP13C	XAF/XAUC60G	0.98	0.95	0.98
TP9C100C16MP13C	XAF/XAUD60G	0.98	0.95	1.00
TP9C100C16MP13C	XAF/XAUD60H	0.99	0.95	0.99
TP9C100C16MP13C	XAFC60H	1.00	0.96	1.00
TP9C100C16MP13C	XAFD48F	0.98	0.93	1.00
TP9C100C16MP13C	XAFD60J	1.00	0.96	1.00
TP9C100C16MP13C	XAHC48F	0.98	0.94	1.02
TP9C100C16MP13C	XAHC60G	0.98	0.96	1.02
TP9C100C16MP13C	XAHC60H	1.00	0.96	0.98
TP9C100C16MP13C	XAHD48F	0.98	0.93	1.00
TP9C100C16MP13C	XAHD60G	0.98	0.97	1.00
TP9C100C16MP13C	XAHD60H	0.99	0.95	0.99
TP9C100C16MP13C	XAHD60J	1.00	0.96	1.00
TP9C100C20MP12C	CF/CM/CU48C	1.00	1.03	1.00
TP9C100C20MP12C	CF/CM/CU60C	1.00	1.11	1.04
TP9C100C20MP12C	CF/CM64D	1.00	1.07	1.00
TP9C100C20MP13C	CF/CM/CU48C	1.00	1.03	1.00
TP9C100C20MP13C	CF/CM/CU60C	1.00	1.10	1.04
TP9C100C20MP13C	CF/CM64D	1.00	1.07	1.00
TP9C100C20MP13C	XAF/XAUC48F	0.98	0.95	1.02
TP9C100C20MP13C	XAF/XAUC60G	0.98	0.96	1.02
TP9C100C20MP13C	XAF/XAUD60G	0.98	0.95	1.00
TP9C100C20MP13C	XAF/XAUD60H	1.00	0.97	1.00
TP9C100C20MP13C	XAFC60H	1.00	0.97	1.00
TP9C100C20MP13C	XAFD48F	0.98	0.94	1.02
TP9C100C20MP13C	XAFD60J	1.00	0.96	1.00
TP9C100C20MP13C	XAHC48F	0.98	0.95	1.02
TP9C100C20MP13C	XAHC60G	0.98	0.96	1.02
TP9C100C20MP13C	XAHC60H	1.00	0.97	1.00
TP9C100C20MP13C	XAHD48F	0.98	0.94	1.02
TP9C100C20MP13C	XAHD60G	0.98	0.97	1.00
TP9C100C20MP13C	XAHD60H	1.00	0.97	1.00
TP9C100C20MP13C	XAHD60J	1.00	0.96	1.00
TP9C120D20MP12C	CF/CM/CU48D	1.00	1.05	0.98
TP9C120D20MP12C	CF/CM/CU60D	1.00	1.09	0.98
TP9C120D20MP12C	CF/CM64D	1.00	1.05	0.98
TP9C120D20MP13C	CF/CM/CU48D	1.00	1.05	0.98
TP9C120D20MP13C	CF/CM/CU60D	1.00	1.09	0.98
TP9C120D20MP13C	CF/CM64D	1.00	1.05	0.98
TP9C120D20MP13C	XAF/XAUD60G	0.99	0.98	0.99
TP9C120D20MP13C	XAF/XAUD60H	1.00	0.99	1.00
TP9C120D20MP13C	XAFD48F	0.98	0.94	1.00
TP9C120D20MP13C	XAFD60J	1.00	0.99	1.00
TP9C120D20MP13C	XAHD48F	0.98	0.94	1.00
TP9C120D20MP13C	XAHD60G	0.99	0.98	1.01
TP9C120D20MP13C	XAHD60H	1.00	0.99	1.00
TP9C120D20MP13C	XAHD60J	1.00	0.99	1.00
TPLC080C16MP12C	CF/CM/CU48C	1.00	1.04	1.00
TPLC080C16MP12C	CF/CM/CU60C	1.00	1.05	1.00
TPLC080C16MP12C	CF/CM64D	1.00	1.05	1.00

FURNACE MULTIPLIERS - 4 TON (Continued)

Furnaces	Coil	T.C.	S.C.	KW
TPLC080C16MP13C	CF/CM/CU48C	1.00	1.04	1.00
TPLC080C16MP13C	CF/CM/CU60C	1.00	1.05	1.00
TPLC080C16MP13C	CF/CM64D	1.00	1.05	1.00
TPLC080C16MP13C	XAF/XAUC48F	0.98	0.94	1.02
TPLC080C16MP13C	XAF/XAUC60G	0.98	0.95	1.00
TPLC080C16MP13C	XAF/XAUD60G	0.98	0.94	1.00
TPLC080C16MP13C	XAF/XAUD60H	0.99	0.95	0.99
TPLC080C16MP13C	XAFC60H	0.99	0.96	0.99
TPLC080C16MP13C	XAFD48F	0.98	0.93	1.00
TPLC080C16MP13C	XAFD60J	1.00	0.95	1.00
TPLC080C16MP13C	XAHC48F	0.98	0.94	1.02
TPLC080C16MP13C	XAHC60G	0.97	0.94	0.97
TPLC080C16MP13C	XAHC60H	1.00	0.96	1.00
TPLC080C16MP13C	XAHD48F	0.98	0.93	1.02
TPLC080C16MP13C	XAHD60G	0.98	0.95	1.02
TPLC080C16MP13C	XAHD60H	0.99	0.95	0.99
TPLC080C16MP13C	XAHD60J	1.00	0.95	1.00
TPLC100C16MP12C	CF/CM/CU48C	1.00	1.04	1.00
TPLC100C16MP12C	CF/CM/CU60C	1.00	1.05	1.00
TPLC100C16MP12C	CF/CM64D	1.00	1.05	1.00
TPLC100C16MP13C	CF/CM/CU48C	1.00	1.04	1.00
TPLC100C16MP13C	CF/CM/CU60C	1.00	1.05	1.00
TPLC100C16MP13C	CF/CM64D	1.00	1.05	1.00
TPLC100C16MP13C	XAF/XAUC48F	0.98	0.94	1.02
TPLC100C16MP13C	XAF/XAUC60G	0.98	0.95	1.00
TPLC100C16MP13C	XAF/XAUD60G	0.98	0.94	1.00
TPLC100C16MP13C	XAF/XAUD60H	0.99	0.95	0.99
TPLC100C16MP13C	XAFC60H	0.99	0.96	0.99
TPLC100C16MP13C	XAFD48F	0.98	0.93	1.00
TPLC100C16MP13C	XAFD60J	1.00	0.95	1.00
TPLC100C16MP13C	XAHC48F	0.98	0.94	1.02
TPLC100C16MP13C	XAHC60G	0.97	0.94	0.97
TPLC100C16MP13C	XAHC60H	1.00	0.96	1.00
TPLC100C16MP13C	XAHD48F	0.98	0.93	1.02
TPLC100C16MP13C	XAHD60G	0.98	0.95	1.02
TPLC100C16MP13C	XAHD60H	0.99	0.95	0.99
TPLC100C16MP13C	XAHD60J	1.00	0.95	1.00
TPLC100C20MP12C	CF/CM/CU48C	1.00	1.04	0.98
TPLC100C20MP12C	CF/CM/CU60C	1.00	1.09	1.00
TPLC100C20MP12C	CF/CM64D	1.00	1.05	0.98
TPLC100C20MP13C	CF/CM/CU48C	1.00	1.04	0.98
TPLC100C20MP13C	CF/CM/CU60C	1.00	1.09	1.00
TPLC100C20MP13C	CF/CM64D	1.00	1.05	0.98
TPLC100C20MP13C	XAF/XAUC60G	0.98	0.95	0.98
TPLC100C20MP13C	XAF/XAUD60G	0.98	0.94	0.98
TPLC100C20MP13C	XAF/XAUD60H	1.00	1.02	1.04
TPLC100C20MP13C	XAFC60H	1.00	0.96	0.98
TPLC100C20MP13C	XAFD48F	0.99	1.01	1.05
TPLC100C20MP13C	XAFD60J	1.00	0.95	0.98
TPLC100C20MP13C	XAHC48F	0.98	0.94	1.00
TPLC100C20MP13C	XAHC60G	0.99	0.95	0.99
TPLC100C20MP13C	XAHC60H	1.00	0.95	0.96
TPLC100C20MP13C	XAHD60H	1.00	0.95	0.98
TPLC100C20MP13C	XAHD60J	1.00	0.94	0.98
TPLC120C20MP12C	CF/CM/CU48C	1.00	1.04	0.98

FURNACE MULTIPLIERS - 4 TON (Continued)

Furnaces	Coil	T.C.	S.C.	KW
TPLC120C20MP12C	CF/CM/CU60C	1.00	1.09	1.00
TPLC120C20MP12C	CF/CM64D	1.00	1.05	0.98
TPLC120C20MP13C	CF/CM/CU48C	1.00	1.04	0.98
TPLC120C20MP13C	CF/CM/CU60C	1.00	1.09	1.00
TPLC120C20MP13C	CF/CM64D	1.00	1.05	0.98
TPLC120C20MP13C	XAF/XAUC60G	0.98	0.95	0.98
TPLC120C20MP13C	XAF/XAUD60G	0.98	0.94	0.98
TPLC120C20MP13C	XAF/XAUD60H	1.00	1.02	1.04
TPLC120C20MP13C	XAFC60H	1.00	0.96	0.98
TPLC120C20MP13C	XAFD48F	0.99	1.01	1.05
TPLC120C20MP13C	XAFD60J	1.00	0.95	0.98
TPLC120C20MP13C	XAHC48F	0.98	0.94	1.00
TPLC120C20MP13C	XAHC60G	0.99	0.95	0.99
TPLC120C20MP13C	XAHC60H	1.00	0.95	0.96
TPLC120C20MP13C	XAHD60H	1.00	0.95	0.98
TPLC120C20MP13C	XAHD60J	1.00	0.94	0.98
CP9C080C16MP13C	CF/CM/CU48C	0.99	1.02	1.01
CP9C080C16MP13C	CF/CM/CU48D	0.99	1.03	1.01
CP9C080C16MP13C	CF/CM/CU60C	1.00	1.05	1.02
CP9C080C16MP13C	CF/CM/CU60D	1.00	1.08	1.04
CP9C080C16MP13C	CF/CM64D	1.00	1.07	1.02
CP9C080C16MP13C	XAF/XAUC48F	0.97	0.92	1.01
CP9C080C16MP13C	XAF/XAUC60G	0.97	0.95	1.01
CP9C080C16MP13C	XAF/XAUD60G	0.97	0.94	1.01
CP9C080C16MP13C	XAF/XAUD60H	0.99	0.97	1.01
CP9C080C16MP13C	XAFC60H	0.99	0.98	1.01
CP9C080C16MP13C	XAFD48F	0.97	0.91	1.01
CP9C080C16MP13C	XAFD60J	1.00	0.97	1.02
CP9C080C16MP13C	XAHC48F	0.97	0.92	1.01
CP9C080C16MP13C	XAHC60G	0.97	0.95	1.01
CP9C080C16MP13C	XAHC60H	0.99	0.98	1.01
CP9C080C16MP13C	XAHD48F	0.97	0.91	1.01
CP9C080C16MP13C	XAHD60G	0.97	0.95	1.01
CP9C080C16MP13C	XAHD60H	0.99	0.97	1.01
CP9C080C16MP13C	XAHD60J	1.00	0.94	1.02
CP9C100C16MP12C	CF/CM/CU48C	0.99	1.02	0.99
CP9C100C16MP12C	CF/CM/CU60C	1.00	1.10	1.04
CP9C100C16MP12C	CF/CM64D	1.00	1.07	1.00
CP9C100C16MP13C	CF/CM/CU48C	0.99	1.01	0.99
CP9C100C16MP13C	CF/CM/CU60C	1.00	1.10	1.04
CP9C100C16MP13C	CF/CM64D	1.00	1.07	1.00
CP9C100C16MP13C	XAF/XAUC48F	0.98	0.94	1.02
CP9C100C16MP13C	XAF/XAUC60G	0.98	0.95	0.98
CP9C100C16MP13C	XAF/XAUD60G	0.98	0.95	1.00
CP9C100C16MP13C	XAF/XAUD60H	0.99	0.95	0.99
CP9C100C16MP13C	XAFC60H	1.00	0.96	1.00
CP9C100C16MP13C	XAFD48F	0.98	0.93	1.00
CP9C100C16MP13C	XAFD60J	1.00	0.96	1.00
CP9C100C16MP13C	XAHC48F	0.98	0.94	1.02
CP9C100C16MP13C	XAHC60G	0.98	0.96	1.02
CP9C100C16MP13C	XAHC60H	1.00	0.96	0.98
CP9C100C16MP13C	XAHD48F	0.98	0.93	1.00
CP9C100C16MP13C	XAHD60G	0.98	0.97	1.00
CP9C100C16MP13C	XAHD60H	0.99	0.95	0.99
CP9C100C16MP13C	XAHD60J	1.00	0.96	1.00

FURNACE MULTIPLIERS - 4 TON (Continued)

Furnaces	Coil	T.C.	S.C.	KW
CP9C100C20MP12C	CF/CM/CU48C	1.00	1.03	1.00
CP9C100C20MP12C	CF/CM/CU60C	1.00	1.11	1.04
CP9C100C20MP12C	CF/CM64D	1.00	1.07	1.00
CP9C100C20MP13C	CF/CM/CU48C	1.00	1.03	1.00
CP9C100C20MP13C	CF/CM/CU60C	1.00	1.10	1.04
CP9C100C20MP13C	CF/CM64D	1.00	1.07	1.00
CP9C100C20MP13C	XAF/XAUC48F	0.98	0.95	1.02
CP9C100C20MP13C	XAF/XAUC60G	0.98	0.96	1.02
CP9C100C20MP13C	XAF/XAUD60G	0.98	0.95	1.00
CP9C100C20MP13C	XAF/XAUD60H	1.00	0.97	1.00
CP9C100C20MP13C	XAFC60H	1.00	0.97	1.00
CP9C100C20MP13C	XAFD48F	0.98	0.94	1.02
CP9C100C20MP13C	XAFD60J	1.00	0.96	1.00
CP9C100C20MP13C	XAHC48F	0.98	0.95	1.02
CP9C100C20MP13C	XAHC60G	0.98	0.96	1.02
CP9C100C20MP13C	XAHC60H	1.00	0.97	1.00
CP9C100C20MP13C	XAHD48F	0.98	0.94	1.02
CP9C100C20MP13C	XAHD60G	0.98	0.97	1.00
CP9C100C20MP13C	XAHD60H	1.00	0.97	1.00
CP9C100C20MP13C	XAHD60J	1.00	0.96	1.00
CP9C120D20MP12C	CF/CM/CU48D	1.00	1.05	0.98
CP9C120D20MP12C	CF/CM/CU60D	1.00	1.09	0.98
CP9C120D20MP12C	CF/CM64D	1.00	1.05	0.98
CP9C120D20MP13C	CF/CM/CU48D	1.00	1.05	0.98
CP9C120D20MP13C	CF/CM/CU60D	1.00	1.09	0.98
CP9C120D20MP13C	CF/CM64D	1.00	1.05	0.98
CP9C120D20MP13C	XAF/XAUD60G	0.99	0.98	0.99
CP9C120D20MP13C	XAF/XAUD60H	1.00	0.99	1.00
CP9C120D20MP13C	XAFD48F	0.98	0.94	1.00
CP9C120D20MP13C	XAFD60J	1.00	0.99	1.00
CP9C120D20MP13C	XAHD48F	0.98	0.94	1.00
CP9C120D20MP13C	XAHD60G	0.99	0.98	1.01
CP9C120D20MP13C	XAHD60H	1.00	0.99	1.00
CP9C120D20MP13C	XAHD60J	1.00	0.99	1.00
CPLC080C16MP12C	CF/CM/CU48C	1.00	1.04	1.00
CPLC080C16MP12C	CF/CM/CU60C	1.00	1.05	1.00
CPLC080C16MP12C	CF/CM64D	1.00	1.05	1.00
CPLC080C16MP13C	CF/CM/CU48C	1.00	1.04	1.00
CPLC080C16MP13C	CF/CM/CU60C	1.00	1.05	1.00
CPLC080C16MP13C	CF/CM64D	1.00	1.05	1.00
CPLC080C16MP13C	XAF/XAUC48F	0.98	0.94	1.02
CPLC080C16MP13C	XAF/XAUC60G	0.98	0.95	1.00
CPLC080C16MP13C	XAF/XAUD60G	0.98	0.94	1.00
CPLC080C16MP13C	XAF/XAUD60H	0.99	0.95	0.99
CPLC080C16MP13C	XAFC60H	0.99	0.96	0.99
CPLC080C16MP13C	XAFD48F	0.98	0.93	1.00
CPLC080C16MP13C	XAFD60J	1.00	0.95	1.00
CPLC080C16MP13C	XAHC48F	0.98	0.94	1.02
CPLC080C16MP13C	XAHC60G	0.97	0.94	0.97
CPLC080C16MP13C	XAHC60H	1.00	0.96	1.00
CPLC080C16MP13C	XAHD48F	0.98	0.93	1.02
CPLC080C16MP13C	XAHD60G	0.98	0.95	1.02
CPLC080C16MP13C	XAHD60H	0.99	0.95	0.99
CPLC080C16MP13C	XAHD60J	1.00	0.95	1.00
CPLC100C16MP12C	CF/CM/CU48C	1.00	1.04	1.00

FURNACE MULTIPLIERS - 4 TON (Continued)

Furnaces	Coil	T.C.	S.C.	KW
CPLC100C16MP12C	CF/CM/CU60C	1.00	1.05	1.00
CPLC100C16MP12C	CF/CM64D	1.00	1.05	1.00
CPLC100C16MP13C	CF/CM/CU48C	1.00	1.04	1.00
CPLC100C16MP13C	CF/CM/CU60C	1.00	1.05	1.00
CPLC100C16MP13C	CF/CM64D	1.00	1.05	1.00
CPLC100C16MP13C	XAF/XAUC48F	0.98	0.94	1.02
CPLC100C16MP13C	XAF/XAUC60G	0.98	0.95	1.00
CPLC100C16MP13C	XAF/XAUD60G	0.98	0.94	1.00
CPLC100C16MP13C	XAF/XAUD60H	0.99	0.95	0.99
CPLC100C16MP13C	XAFC60H	0.99	0.96	0.99
CPLC100C16MP13C	XAFD48F	0.98	0.93	1.00
CPLC100C16MP13C	XAFD60J	1.00	0.95	1.00
CPLC100C16MP13C	XAHC48F	0.98	0.94	1.02
CPLC100C16MP13C	XAHC60G	0.97	0.94	0.97
CPLC100C16MP13C	XAHC60H	1.00	0.96	1.00
CPLC100C16MP13C	XAHD48F	0.98	0.93	1.02
CPLC100C16MP13C	XAHD60G	0.98	0.95	1.02
CPLC100C16MP13C	XAHD60H	0.99	0.95	0.99
CPLC100C16MP13C	XAHD60J	1.00	0.95	1.00
CPLC100C20MP12C	CF/CM/CU48C	1.00	1.04	0.98
CPLC100C20MP12C	CF/CM/CU60C	1.00	1.09	1.00
CPLC100C20MP12C	CF/CM64D	1.00	1.05	0.98
CPLC100C20MP13C	CF/CM/CU48C	1.00	1.04	0.98
CPLC100C20MP13C	CF/CM/CU60C	1.00	1.09	1.00
CPLC100C20MP13C	CF/CM64D	1.00	1.05	0.98
CPLC100C20MP13C	XAF/XAUC60G	0.98	0.95	0.98
CPLC100C20MP13C	XAF/XAUD60G	0.98	0.94	0.98
CPLC100C20MP13C	XAF/XAUD60H	1.00	1.02	1.04
CPLC100C20MP13C	XAFC60H	1.00	0.96	0.98
CPLC100C20MP13C	XAFD48F	0.99	1.01	1.05
CPLC100C20MP13C	XAFD60J	1.00	0.95	0.98
CPLC100C20MP13C	XAHC48F	0.98	0.94	1.00
CPLC100C20MP13C	XAHC60G	0.99	0.95	0.99
CPLC100C20MP13C	XAHC60H	1.00	0.95	0.96
CPLC100C20MP13C	XAHD60H	1.00	0.95	0.98
CPLC100C20MP13C	XAHD60J	1.00	0.94	0.98
CPLC120C20MP12C	CF/CM/CU48C	1.00	1.04	0.98
CPLC120C20MP12C	CF/CM/CU60C	1.00	1.09	1.00
CPLC120C20MP12C	CF/CM64D	1.00	1.05	0.98
CPLC120C20MP13C	CF/CM/CU48C	1.00	1.04	0.98
CPLC120C20MP13C	CF/CM/CU60C	1.00	1.09	1.00
CPLC120C20MP13C	CF/CM64D	1.00	1.05	0.98
CPLC120C20MP13C	XAF/XAUC60G	0.98	0.95	0.98
CPLC120C20MP13C	XAF/XAUD60G	0.98	0.94	0.98
CPLC120C20MP13C	XAF/XAUD60H	1.00	1.02	1.04
CPLC120C20MP13C	XAFC60H	1.00	0.96	0.98
CPLC120C20MP13C	XAFD48F	0.99	1.01	1.05
CPLC120C20MP13C	XAFD60J	1.00	0.95	0.98
CPLC120C20MP13C	XAHC48F	0.98	0.94	1.00
CPLC120C20MP13C	XAHC60G	0.99	0.95	0.99
CPLC120C20MP13C	XAHC60H	1.00	0.95	0.96
CPLC120C20MP13C	XAHD60H	1.00	0.95	0.98
CPLC120C20MP13C	XAHD60J	1.00	0.94	0.98

PERFORMANCE DATA - 5 TON

CONDENSER-ONLY DATA (OUTDOOR UNIT)																		
MODEL	SATURATED SUCTION AT COMPRESSOR		Outdoor Ambient Temperature															
			55 °F		65 °F		75 °F		85 °F		95 °F		105 °F		115 °F		125 °F	
	T (°F)	P (PSIG)	MBH	KW	MBH	KW	MBH	KW	MBH	KW	MBH	KW	MBH	KW	MBH	KW	MBH	KW
AC19B6021S (Stage 2)	35	107	56.0	3.18	53.3	3.46	50.6	3.79	47.8	4.17	44.8	4.61	41.7	5.13	38.3	5.73	34.7	6.42
	40	118	61.4	3.21	58.6	3.49	55.6	3.81	52.6	4.18	49.4	4.61	46.0	5.13	42.4	5.72	38.5	6.40
	45	130	67.0	3.26	64.2	3.53	61.0	3.84	57.7	4.20	54.2	4.62	50.6	5.13	46.7	5.72	42.6	6.38
	50	142	73.0	3.32	69.6	3.59	65.9	3.90	62.6	4.24	59.4	4.65	55.5	5.14	51.4	5.72	46.9	6.37
	55	156	78.3	3.40	75.8	3.65	72.0	3.96	68.4	4.29	64.7	4.68	60.6	5.17	56.2	5.74	51.6	6.36
AC19B6021S (Stage 1)	35	107	37.1	2.20	35.0	2.51	33.1	2.85	31.1	3.22	28.8	3.64	26.2	4.14	23.2	4.70	19.8	5.34
	40	118	41.0	2.14	38.8	2.46	36.7	2.79	34.5	3.16	32.1	3.58	29.4	4.07	26.3	4.63	22.8	5.26
	45	130	45.2	2.09	42.8	2.40	40.5	2.74	38.1	3.11	35.6	3.52	32.8	4.00	29.6	4.56	25.9	5.18
	50	142	49.8	2.05	47.1	2.35	44.5	2.68	42.0	3.04	39.3	3.45	36.3	3.93	33.0	4.48	29.2	5.09
	55	156	54.6	1.98	51.6	2.29	48.9	2.62	46.1	2.97	43.2	3.38	40.1	3.85	36.6	4.40	32.7	5.00

Notes:

1. For Outdoor Unit (Condenser) performance only. Data does not include the effects of air handler power or heat.
2. Performance based on 15°F subcooling and 15°F superheat at the Outdoor Unit base valves.
 - a. Increase capacity by 1% for each 2°F increase in subcooling.
 - b. Decrease capacity by 1% for each 2°F decrease in subcooling.
3. Maximum recommended condensing temperature is 140°F.

COOLING PERFORMANCE DATA																			
OUTDOOR UNIT MODEL NO.		AC19B6021S																	
INDOOR COIL MODEL NO.		CF64DXA1																	
AIR TEMPERATURE ENTERING OUTDOOR UNIT (°F)	ID CFM	1500						1750						2000					
		ID DB (°F)		80	80	75	80	80	80	80	75	80	80	80	80	75	80	80	
		ID WB (°F)		57	62	62	67	72	57	62	62	67	72	57	62	62	67	72	
55	T.C.	55.6	59.6	59.4	61.6	62.0	57.6	60.4	60.2	61.9	62.2	59.6	61.2	61.1	62.1	62.3			
	S.C.	54.2	46.9	40.5	37.7	29.2	56.5	48.5	41.8	38.5	29.5	58.7	50.2	43.1	39.3	29.9			
	KW	3.04	3.07	3.07	3.07	3.07	3.15	3.16	3.16	3.16	3.16	3.25	3.25	3.26	3.26	3.25			
65	T.C.	54.0	58.0	57.8	61.5	64.5	56.1	59.1	58.9	62.2	65.2	58.2	60.3	60.1	62.9	65.9			
	S.C.	52.9	46.6	39.8	38.3	30.1	55.1	49.1	41.8	39.9	30.9	57.3	51.6	43.8	41.5	31.7			
	KW	3.35	3.38	3.38	3.40	3.42	3.45	3.48	3.48	3.50	3.52	3.55	3.57	3.58	3.59	3.61			
75	T.C.	52.5	56.4	56.2	61.4	66.9	54.6	57.8	57.6	62.6	68.2	56.8	59.3	59.0	63.8	69.4			
	S.C.	51.6	46.2	39.1	38.8	31.1	53.7	49.7	41.8	41.2	32.3	55.9	53.1	44.4	43.6	33.5			
	KW	3.65	3.69	3.69	3.73	3.77	3.75	3.79	3.79	3.83	3.87	3.86	3.90	3.90	3.93	3.97			
85	T.C.	51.2	54.4	54.2	59.2	64.2	53.4	55.8	55.6	60.3	65.5	55.6	57.2	56.9	61.4	66.8			
	S.C.	50.4	45.7	38.6	38.1	30.2	52.6	49.2	41.3	40.6	31.6	54.7	52.8	44.0	43.1	33.0			
	KW	4.05	4.09	4.09	4.13	4.18	4.16	4.20	4.19	4.24	4.28	4.27	4.30	4.30	4.34	4.38			
95	T.C.	50.0	52.4	52.2	57.0	61.5	52.2	53.8	53.5	58.0	62.9	54.4	55.2	54.8	59.0	64.3			
	S.C.	49.2	45.2	38.0	37.4	29.3	51.4	48.8	40.8	40.0	31.0	53.6	52.4	43.6	42.6	32.6			
	KW	4.46	4.50	4.49	4.53	4.59	4.57	4.60	4.60	4.64	4.69	4.68	4.70	4.70	4.75	4.80			
105	T.C.	46.7	48.7	48.6	53.2	58.1	48.9	50.1	49.7	54.2	59.1	51.1	51.6	50.9	55.2	60.1			
	S.C.	46.0	43.3	36.2	35.9	28.1	48.1	46.4	39.0	38.5	29.7	50.3	49.5	41.7	41.1	31.3			
	KW	5.06	5.09	5.08	5.13	5.18	5.17	5.19	5.19	5.24	5.28	5.28	5.29	5.29	5.34	5.39			
115	T.C.	43.5	45.1	45.1	49.6	54.8	45.7	46.6	46.1	50.5	55.4	47.8	48.1	47.1	51.5	56.0			
	S.C.	42.9	41.4	34.6	34.4	26.9	45.0	44.1	37.2	37.0	28.5	47.1	46.7	39.8	39.6	30.0			
	KW	5.64	5.66	5.65	5.71	5.75	5.75	5.76	5.76	5.81	5.85	5.86	5.87	5.87	5.92	5.96			
125	T.C.	40.4	41.5	41.6	46.0	51.6	42.5	43.1	42.4	46.8	51.8	44.6	44.7	43.3	47.7	51.9			
	S.C.	39.7	39.5	32.9	32.9	25.8	41.8	41.7	35.4	35.5	27.2	43.9	44.0	37.9	38.2	28.7			
	KW	6.22	6.23	6.22	6.29	6.32	6.33	6.34	6.34	6.39	6.43	6.44	6.44	6.45	6.50	6.53			

NOTE: ALL CAPACITIES INCLUDE INDOOR FAN HEAT. KW VALUES ARE FOR THE SYSTEM (OUTDOOR + INDOOR).

Green shaded cells are ACCA (TVA) conditions.

Blue shaded cells are AHRI conditions.

Multipliers for determining the performance with other indoor sections.

NOTE: For dry bulb temperatures different than those listed (between 73-87 °F), sensible capacity increases by 1060 BTUH per 1000 CFM per degree above the listed temperature and decreases by 1060 BTUH per 1000 CFM per degree below the listed temperature.

COIL MULTIPLIERS - 5 TON

Air Handler	Coil	T.C.	S.C.	KW
—	CF/CM/CU60D	1.00	1.09	1.04
—	CF/CM60C	0.97	0.98	1.01
—	CF/CM64D	1.00	1.00	1.00
—	XAF/XAUC60G	0.96	0.98	1.00
—	XAF/XAUD60G	0.97	0.99	1.01
—	XAF/XAUD60H	0.98	1.00	1.00
—	XAFC60H	0.98	1.00	1.00
—	XAHC60G	0.96	0.98	1.00
—	XAHC60H	0.98	1.00	1.00
—	XAHD60G	0.95	0.95	0.99
—	XAHD60H	0.98	0.99	1.00
—	XAHD60J	0.98	0.96	1.00
AE60CX21	—	1.00	1.07	1.00
AE60DX21	—	1.03	1.11	0.99
AVC60CX21	—	0.99	1.04	1.03
AVC60DX21	—	1.01	1.06	0.97
ME14DN21	CF/CM60D	0.99	1.02	0.95
ME14DN21	CF/CM64D	1.01	1.03	0.97
ME16CN21	CF/CM60C	0.99	1.02	0.97
ME20DN21	CF/CM60D	1.01	1.09	1.03
ME20DN21	CF/CM64D	1.03	1.09	0.97
MVC14DN21	CF/CM60D	0.99	1.01	0.95
MVC14DN21	CF/CM64D	1.01	1.02	0.95
MVC16CN21	CF/CM60C	1.01	1.09	1.01
MVC20DN21	CF/CM60D	1.02	1.11	0.98
MVC20DN21	CF/CM64D	1.03	1.13	0.99

FURNACE MULTIPLIERS - 5 TON

Furnaces	Coil	T.C.	S.C.	KW
TL8E080C16UH11	CF/CM/CU60C	0.97	1.01	1.01
TL8E080C16UH11	CF/CM64D	1.00	1.04	1.00
TL8E080C16UH11	XAF/XAUC60G	0.95	0.94	0.99
TL8E080C16UH11	XAF/XAUD60G	0.96	0.93	1.00
TL8E080C16UH11	XAF/XAUD60H	0.97	0.94	0.99
TL8E080C16UH11	XAFC60H	0.97	0.95	0.99
TL8E080C16UH11	XAFD60J	0.99	0.94	1.01
TL8E080C16UH11	XAHC60G	0.95	0.94	0.99
TL8E080C16UH11	XAHC60H	0.97	0.95	0.99
TL8E080C16UH11	XAHD60G	0.96	0.94	1.00
TL8E080C16UH11	XAHD60H	0.97	0.94	0.99
TL8E080C16UH11	XAHD60J	0.98	0.93	1.00
TL8E100C20UH11	CF/CM/CU60C	0.98	1.02	1.00
TL8E100C20UH11	CF/CM/CU60D	0.98	1.04	0.98
TL8E100C20UH11	CF/CM64D	1.01	1.06	0.97
TL8E100C20UH11	XAF/XAUC60G	0.96	0.95	0.98
TL8E100C20UH11	XAF/XAUD60G	0.97	0.94	0.99
TL8E100C20UH11	XAF/XAUD60H	0.98	0.96	0.96
TL8E100C20UH11	XAFC60H	0.97	0.96	0.97
TL8E100C20UH11	XAFD60J	1.00	0.95	1.00
TL8E100C20UH11	XAHC60G	0.96	0.95	0.98
TL8E100C20UH11	XAHC60H	0.97	0.96	0.97
TL8E100C20UH11	XAHD60G	0.96	0.95	0.98
TL8E100C20UH11	XAHD60H	0.98	0.95	0.98
TL8E100C20UH11	XAHD60J	0.98	0.94	0.98

FURNACE MULTIPLIERS - 5 TON (Continued)

Furnaces	Coil	T.C.	S.C.	KW
TL9E100C20UH11	CF/CM/CU60C	0.97	1.02	0.99
TL9E100C20UH11	CF/CM/CU60D	0.98	1.04	1.00
TL9E100C20UH11	CF/CM64D	1.01	1.06	1.01
TL9E100C20UH11	XAF/XAUC60G	0.96	0.95	0.98
TL9E100C20UH11	XAF/XAUD60G	0.97	0.95	0.99
TL9E100C20UH11	XAF/XAUD60H	0.98	0.95	1.00
TL9E100C20UH11	XAFC60H	0.97	0.96	0.97
TL9E100C20UH11	XAFD60J	0.99	0.95	1.01
TL9E100C20UH11	XAHC60G	0.96	0.95	0.98
TL9E100C20UH11	XAHC60H	0.97	0.96	0.97
TL9E100C20UH11	XAHD60G	0.96	0.94	0.98
TL9E100C20UH11	XAHD60H	0.98	0.95	1.00
TL9E100C20UH11	XAHD60J	0.98	0.95	1.00
TM8E080C16MP11	CF/CM/CU60D	0.97	1.02	0.99
TM8E080C16MP11	CF/CM64D	1.01	1.05	1.01
TM8E080C16MP11	XAF/XAUC60G	0.95	0.94	0.99
TM8E080C16MP11	XAF/XAUD60G	0.96	0.93	1.00
TM8E080C16MP11	XAF/XAUD60H	0.98	0.95	1.00
TM8E080C16MP11	XAFC60H	0.97	0.96	0.99
TM8E080C16MP11	XAFD60J	0.99	0.95	1.01
TM8E080C16MP11	XAHC60G	0.95	0.94	0.99
TM8E080C16MP11	XAHC60H	0.97	0.96	0.99
TM8E080C16MP11	XAHD60G	0.96	0.94	1.00
TM8E080C16MP11	XAHD60H	0.98	0.95	1.00
TM8E080C16MP11	XAHD60J	0.98	0.93	1.00
TM8E080C20MP11	CF/CM/CU60C	0.97	1.01	0.97
TM8E080C20MP11	CF/CM/CU60D	0.97	1.01	0.99
TM8E080C20MP11	CF/CM64D	1.01	1.05	0.97
TM8E080C20MP11	XAF/XAUC60G	0.97	0.99	1.01
TM8E080C20MP11	XAF/XAUD60G	0.97	0.98	1.02
TM8E080C20MP11	XAF/XAUD60H	0.98	0.94	0.98
TM8E080C20MP11	XAFC60H	0.98	1.00	1.00
TM8E080C20MP11	XAFD60J	1.01	1.00	1.03
TM8E080C20MP11	XAHC60G	0.96	0.94	0.98
TM8E080C20MP11	XAHC60H	0.97	0.95	0.95
TM8E080C20MP11	XAHD60G	0.97	0.99	1.02
TM8E080C20MP11	XAHD60H	0.98	0.94	0.98
TM8E080C20MP11	XAHD60J	0.99	0.93	0.99
TM8E100C16MP11	CF/CM/CU60D	0.97	1.02	0.99
TM8E100C16MP11	CF/CM64D	1.01	1.05	1.01
TM8E100C16MP11	XAF/XAUC60G	0.95	0.94	0.99
TM8E100C16MP11	XAF/XAUD60G	0.96	0.93	1.00
TM8E100C16MP11	XAF/XAUD60H	0.98	0.95	1.00
TM8E100C16MP11	XAFC60H	0.97	0.96	0.99
TM8E100C16MP11	XAFD60J	0.99	0.95	1.01
TM8E100C16MP11	XAHC60G	0.95	0.94	0.99
TM8E100C16MP11	XAHC60H	0.97	0.96	0.99
TM8E100C16MP11	XAHD60G	0.96	0.94	1.00
TM8E100C16MP11	XAHD60H	0.98	0.95	1.00
TM8E100C16MP11	XAHD60J	0.99	0.94	1.01
TM8E100C20MP11	CF/CM/CU60C	0.99	1.06	1.03
TM8E100C20MP11	CF/CM/CU60D	0.98	1.01	0.98
TM8E100C20MP11	CF/CM64D	1.00	1.04	0.98
TM8E100C20MP11	XAF/XAUC60G	0.95	0.93	0.97

FURNACE MULTIPLIERS - 5 TON (Continued)

Furnaces	Coil	T.C.	S.C.	KW
TM8E100C20MP11	XAF/XAUD60G	0.96	0.92	0.98
TM8E100C20MP11	XAF/XAUD60H	0.99	0.99	1.01
TM8E100C20MP11	XAFC60H	0.97	0.95	0.95
TM8E100C20MP11	XAFD60J	0.99	0.93	0.99
TM8E100C20MP11	XAHC60G	0.97	0.99	1.01
TM8E100C20MP11	XAHC60H	0.97	0.95	0.95
TM8E100C20MP11	XAHD60G	0.97	0.99	1.02
TM8E100C20MP11	XAHD60H	0.99	0.99	1.01
TM8E100C20MP11	XAHD60J	1.00	0.99	1.02
TM8E120C16MP11	CF/CM/CU60D	0.97	1.02	0.99
TM8E120C16MP11	CF/CM64D	1.01	1.05	1.01
TM8E120C16MP11	XAF/XAUC60G	0.95	0.94	0.99
TM8E120C16MP11	XAF/XAUD60G	0.96	0.93	1.00
TM8E120C16MP11	XAF/XAUD60H	0.98	0.95	1.00
TM8E120C16MP11	XAFC60H	0.97	0.96	0.97
TM8E120C16MP11	XAFD60J	0.99	0.95	1.01
TM8E120C16MP11	XAHC60G	0.95	0.94	0.99
TM8E120C16MP11	XAHC60H	0.97	0.96	0.97
TM8E120C16MP11	XAHD60G	0.96	0.94	1.00
TM8E120C16MP11	XAHD60H	0.98	0.95	1.00
TM8E120C16MP11	XAHD60J	0.99	0.95	1.01
TM8E120C20MP11	CF/CM/CU60C	0.99	1.06	1.01
TM8E120C20MP11	CF/CM/CU60D	0.97	1.01	0.97
TM8E120C20MP11	CF/CM64D	1.00	1.04	0.96
TM8E120C20MP11	XAF/XAUC60G	0.95	0.92	0.95
TM8E120C20MP11	XAF/XAUD60G	0.97	0.98	1.02
TM8E120C20MP11	XAF/XAUD60H	0.99	0.99	1.01
TM8E120C20MP11	XAFC60H	0.97	0.94	0.95
TM8E120C20MP11	XAFD60J	1.01	1.00	1.03
TM8E120C20MP11	XAHC60G	0.97	0.99	1.01
TM8E120C20MP11	XAHC60H	0.98	1.00	1.00
TM8E120C20MP11	XAHD60G	0.97	0.99	1.02
TM8E120C20MP11	XAHD60H	0.99	0.99	1.01
TM8E120C20MP11	XAHD60J	0.99	0.93	0.99
TM8E130D20MP11	CF/CM/CU60D	0.99	1.05	0.99
TM8E130D20MP11	CF/CM64D	1.01	1.08	0.99
TM8E130D20MP11	XAF/XAUD60G	0.97	1.00	1.01
TM8E130D20MP11	XAF/XAUD60H	0.98	0.98	0.98
TM8E130D20MP11	XAFD60J	0.99	0.96	0.99
TM8E130D20MP11	XAHD60G	0.96	0.95	0.98
TM8E130D20MP11	XAHD60H	0.98	0.98	0.98
TM8E130D20MP11	XAHD60J	0.99	0.96	0.99
TM8V080C16MP12C	CF/CM/CU60C	0.99	1.06	1.03
TM8V080C16MP12C	CF/CM/CU60D	0.99	1.06	1.03
TM8V080C16MP12C	CF/CM64D	1.01	1.09	1.05
TM8V100C16MP11C	CF/CM/CU60C	0.99	1.06	1.03
TM8V100C16MP11C	CF/CM/CU60D	0.99	1.06	1.03
TM8V100C16MP11C	CF/CM64D	1.01	1.09	1.05
TM8V100C16MP12C	CF/CM/CU60C	0.99	1.06	1.03
TM8V100C16MP12C	CF/CM/CU60D	0.99	1.06	1.03
TM8V100C16MP12C	CF/CM64D	1.01	1.09	1.05
TM8V100C20MP12C	CF/CM/CU60C	0.99	1.04	0.99
TM8V100C20MP12C	CF/CM/CU60D	1.00	1.06	1.00
TM8V100C20MP12C	CF/CM64D	1.01	1.05	0.99
TM8V100C20MP12C	XAF/XAUC60G	0.97	1.00	1.01
TM8V100C20MP12C	XAF/XAUD60G	0.97	0.99	1.02
TM8V100C20MP12C	XAF/XAUD60H	0.99	1.00	1.01

FURNACE MULTIPLIERS - 5 TON (Continued)

Furnaces	Coil	T.C.	S.C.	KW
TM8V100C20MP12C	XAFC60H	0.98	1.00	1.00
TM8V100C20MP12C	XAFD60J	0.99	0.94	0.99
TM8V100C20MP12C	XAHC60G	0.95	0.93	0.97
TM8V100C20MP12C	XAHC60H	0.97	0.95	0.95
TM8V100C20MP12C	XAHD60H	0.99	1.00	1.01
TM8V120C20MP11C	CF/CM/CU60C	0.99	1.04	0.99
TM8V120C20MP11C	CF/CM/CU60D	1.00	1.06	1.00
TM8V120C20MP11C	CF/CM64D	1.01	1.05	0.99
TM8V120C20MP12C	CF/CM/CU60C	0.99	1.04	0.99
TM8V120C20MP12C	CF/CM/CU60D	1.00	1.06	1.00
TM8V120C20MP12C	CF/CM64D	1.01	1.05	0.99
TM8V120C20MP12C	XAF/XAUC60G	0.97	1.00	1.01
TM8V120C20MP12C	XAF/XAUD60G	0.97	0.99	1.02
TM8V120C20MP12C	XAF/XAUD60H	0.99	1.00	1.01
TM8V120C20MP12C	XAFC60H	0.98	1.00	1.00
TM8V120C20MP12C	XAFD60J	0.99	0.94	0.99
TM8V120C20MP12C	XAHC60G	0.95	0.93	0.97
TM8V120C20MP12C	XAHC60H	0.97	0.95	0.95
TM8V120C20MP12C	XAHD60H	0.99	1.00	1.01
TM8X080C16MP11	CF/CM/CU60C	0.97	1.00	1.01
TM8X080C16MP11	CF/CM/CU60D	0.97	1.01	1.01
TM8X080C16MP11	CF/CM64D	1.00	1.04	1.02
TM8X100C16MP11	CF/CM/CU60C	0.97	1.00	1.01
TM8X100C16MP11	CF/CM/CU60D	0.97	1.01	1.01
TM8X100C16MP11	CF/CM64D	1.00	1.04	1.02
TM8X100C20MP11	CF/CM/CU60C	0.97	1.01	0.97
TM8X100C20MP11	CF/CM/CU60D	0.98	1.04	0.98
TM8X100C20MP11	CF/CM64D	1.01	1.05	0.97
TM8X120C20MP11	CF/CM/CU60C	0.97	1.01	0.97
TM8X120C20MP11	CF/CM/CU60D	0.98	1.04	0.98
TM8X120C20MP11	CF/CM64D	1.01	1.05	0.97
TM8Y080C16MP11	CF/CM/CU60C	0.97	1.00	1.01
TM8Y080C16MP11	CF/CM/CU60D	0.97	1.01	1.01
TM8Y080C16MP11	CF/CM64D	1.00	1.04	1.02
TM8Y080C16MP11	XAF/XAUC60G	0.95	0.93	0.99
TM8Y080C16MP11	XAF/XAUD60G	0.96	0.93	1.00
TM8Y080C16MP11	XAF/XAUD60H	0.97	0.94	0.99
TM8Y080C16MP11	XAFC60H	0.97	0.95	0.99
TM8Y080C16MP11	XAFD60J	0.99	0.94	1.01
TM8Y080C16MP11	XAHC60G	0.95	0.94	0.99
TM8Y080C16MP11	XAHC60H	0.97	0.95	0.97
TM8Y080C16MP11	XAHD60G	0.96	0.93	1.00
TM8Y080C16MP11	XAHD60H	0.97	0.94	0.99
TM8Y080C16MP11	XAHD60J	0.98	0.93	1.00
TM8Y100C16MP11	CF/CM/CU60C	0.97	1.00	1.01
TM8Y100C16MP11	CF/CM/CU60D	0.97	1.01	1.01
TM8Y100C16MP11	CF/CM64D	1.00	1.04	1.02
TM8Y100C16MP11	XAF/XAUC60G	0.95	0.93	0.99
TM8Y100C16MP11	XAF/XAUD60G	0.96	0.93	1.00
TM8Y100C16MP11	XAF/XAUD60H	0.97	0.94	0.99
TM8Y100C16MP11	XAFC60H	0.97	0.95	0.99
TM8Y100C16MP11	XAFD60J	0.99	0.94	1.01
TM8Y100C16MP11	XAHC60G	0.95	0.94	0.99
TM8Y100C16MP11	XAHC60H	0.97	0.95	0.97
TM8Y100C16MP11	XAHD60G	0.96	0.93	1.00
TM8Y100C16MP11	XAHD60H	0.97	0.94	0.99
TM8Y100C16MP11	XAHD60J	0.98	0.93	1.00

FURNACE MULTIPLIERS - 5 TON (Continued)

Furnaces	Coil	T.C.	S.C.	KW
TM8Y100C20MP11	CF/CM/CU60C	0.97	1.01	0.97
TM8Y100C20MP11	CF/CM/CU60D	0.98	1.04	0.98
TM8Y100C20MP11	CF/CM64D	1.01	1.05	0.97
TM8Y100C20MP11	XAF/XAUC60G	0.96	0.94	0.98
TM8Y100C20MP11	XAF/XAUD60G	0.97	0.93	0.99
TM8Y100C20MP11	XAF/XAUD60H	0.98	0.95	0.95
TM8Y100C20MP11	XAFC60H	0.97	0.95	0.97
TM8Y100C20MP11	XAFD60J	0.99	0.94	0.99
TM8Y100C20MP11	XAHC60G	0.96	0.94	0.98
TM8Y100C20MP11	XAHC60H	0.97	0.95	0.95
TM8Y100C20MP11	XAHD60G	0.96	0.93	0.98
TM8Y100C20MP11	XAHD60H	0.98	0.95	0.95
TM8Y100C20MP11	XAHD60J	0.99	0.93	0.99
TM8Y120C20MP11	CF/CM/CU60C	0.97	1.01	0.97
TM8Y120C20MP11	CF/CM/CU60D	0.98	1.04	0.98
TM8Y120C20MP11	CF/CM64D	1.01	1.05	0.97
TM8Y120C20MP11	XAF/XAUC60G	0.96	0.94	0.98
TM8Y120C20MP11	XAF/XAUD60G	0.97	0.93	0.99
TM8Y120C20MP11	XAF/XAUD60H	0.98	0.95	0.95
TM8Y120C20MP11	XAFC60H	0.97	0.95	0.97
TM8Y120C20MP11	XAFD60J	0.99	0.94	0.99
TM8Y120C20MP11	XAHC60G	0.96	0.94	0.98
TM8Y120C20MP11	XAHC60H	0.97	0.95	0.95
TM8Y120C20MP11	XAHD60G	0.96	0.93	0.98
TM8Y120C20MP11	XAHD60H	0.98	0.95	0.95
TM8Y120C20MP11	XAHD60J	0.99	0.93	0.99
TM9E080C20MP12	CF/CM/CU60C	0.99	1.06	1.03
TM9E080C20MP12	CF/CM/CU60D	0.97	1.01	0.97
TM9E080C20MP12	CF/CM64D	1.00	1.02	0.96
TM9E080C20MP12	XAF/XAUC60G	0.97	0.99	1.01
TM9E080C20MP12	XAF/XAUD60G	0.96	0.92	0.98
TM9E080C20MP12	XAF/XAUD60H	0.97	0.93	0.97
TM9E080C20MP12	XAFC60H	0.98	1.00	1.00
TM9E080C20MP12	XAFD60J	1.01	1.00	1.03
TM9E080C20MP12	XAHC60G	0.95	0.93	0.97
TM9E080C20MP12	XAHC60H	0.98	1.00	1.00
TM9E080C20MP12	XAHD60G	0.97	0.99	1.02
TM9E080C20MP12	XAHD60H	0.97	0.93	0.97
TM9E080C20MP12	XAHD60J	1.00	0.99	1.02
TM9E100C16MP12	CF/CM/CU60D	0.97	1.02	1.01
TM9E100C20MP11	CF/CM/CU60C	0.97	1.00	1.01
TM9E100C20MP11	CF/CM/CU60D	0.97	1.01	0.99
TM9E100C20MP11	CF/CM64D	1.00	1.04	1.00
TM9E100C20MP12	CF/CM/CU60C	0.99	1.06	1.01
TM9E100C20MP12	CF/CM/CU60D	0.98	1.01	0.98
TM9E100C20MP12	CF/CM64D	1.00	1.04	0.96
TM9E100C20MP12	XAF/XAUC60G	0.96	0.98	1.00
TM9E100C20MP12	XAF/XAUD60G	0.97	0.98	1.02
TM9E100C20MP12	XAF/XAUD60H	0.99	0.99	1.01
TM9E100C20MP12	XAFC60H	0.97	0.94	0.95
TM9E100C20MP12	XAFD60J	0.99	0.93	0.99
TM9E100C20MP12	XAHC60G	0.95	0.92	0.95
TM9E100C20MP12	XAHC60H	0.97	0.95	0.95
TM9E100C20MP12	XAHD60G	0.96	0.93	0.98
TM9E100C20MP12	XAHD60H	0.97	0.93	0.97
TM9E100C20MP12	XAHD60J	0.99	0.93	0.99
TM9E120D20MP11	CF/CM/CU60D	0.98	1.02	1.00

FURNACE MULTIPLIERS - 5 TON (Continued)

Furnaces	Coil	T.C.	S.C.	KW
TM9E120D20MP11	CF/CM64D	1.00	1.05	0.98
TM9E120D20MP12	CF/CM/CU60D	0.98	1.04	1.00
TM9E120D20MP12	CF/CM64D	1.00	1.01	0.96
TM9E120D20MP12	XAF/XAUD60G	0.96	0.95	0.98
TM9E120D20MP12	XAF/XAUD60H	0.97	0.96	0.99
TM9E120D20MP12	XAFD60J	0.98	0.96	1.00
TM9E120D20MP12	XAHD60G	0.95	0.94	0.99
TM9E120D20MP12	XAHD60H	0.98	1.00	1.00
TM9E120D20MP12	XAHD60J	0.99	0.95	1.01
TM9V080C16MP11C	CF/CM/CU60C	0.98	1.01	1.02
TM9V080C16MP11C	CF/CM/CU60D	0.98	1.01	1.00
TM9V080C16MP11C	CF/CM64D	0.99	1.02	1.01
TM9V080C16MP12C	CF/CM/CU60C	0.98	1.01	1.02
TM9V080C16MP12C	CF/CM/CU60D	0.98	1.01	1.00
TM9V080C16MP12C	CF/CM64D	0.99	1.02	1.01
TM9V100C16MP11C	CF/CM/CU60C	0.99	1.05	1.01
TM9V100C16MP11C	CF/CM/CU60D	0.99	1.05	1.01
TM9V100C16MP11C	CF/CM64D	1.00	1.01	1.00
TM9V100C16MP12C	CF/CM/CU60C	0.99	1.05	1.01
TM9V100C16MP12C	CF/CM/CU60D	0.99	1.05	1.01
TM9V100C16MP12C	CF/CM64D	1.00	1.01	1.00
TM9V100C16MP12C	XAF/XAUC60G	0.95	0.95	0.99
TM9V100C16MP12C	XAF/XAUD60G	0.96	0.94	1.00
TM9V100C16MP12C	XAF/XAUD60H	0.98	0.96	1.00
TM9V100C16MP12C	XAFC60H	0.97	0.96	0.99
TM9V100C16MP12C	XAFD60J	0.99	0.95	1.01
TM9V100C16MP12C	XAHC60G	0.95	0.95	0.99
TM9V100C16MP12C	XAHC60H	0.97	0.96	0.99
TM9V100C16MP12C	XAHD60G	0.96	0.95	1.00
TM9V100C16MP12C	XAHD60H	0.98	0.96	1.00
TM9V100C20MP11C	CF/CM/CU60C	0.99	1.05	1.01
TM9V100C20MP11C	CF/CM64D	1.00	1.05	1.02
TM9V100C20MP12C	CF/CM/CU60C	0.99	1.05	1.01
TM9V100C20MP12C	CF/CM64D	1.00	1.05	1.02
TM9V100C20MP12C	XAF/XAUC60G	0.95	0.95	0.99
TM9V100C20MP12C	XAF/XAUD60G	0.97	0.95	1.01
TM9V100C20MP12C	XAF/XAUD60H	0.98	0.96	1.00
TM9V100C20MP12C	XAFC60H	0.97	0.98	0.99
TM9V100C20MP12C	XAFD60J	0.99	0.96	1.01
TM9V100C20MP12C	XAHC60G	0.95	0.95	0.99
TM9V100C20MP12C	XAHC60H	0.97	0.96	0.99
TM9V100C20MP12C	XAHD60G	0.96	0.95	1.00
TM9V100C20MP12C	XAHD60H	0.98	0.96	1.00
TM9V100C20MP12C	XAHD60J	0.99	0.95	1.01
TM9V120D20MP11C	CF/CM/CU60D	0.97	1.02	1.01
TM9V120D20MP11C	CF/CM64D	1.03	1.12	1.05
TM9V120D20MP12C	CF/CM/CU60D	0.97	1.02	1.01
TM9V120D20MP12C	CF/CM64D	1.03	1.12	1.05
TM9V120D20MP12C	XAF/XAUD60G	0.97	1.00	1.01
TM9V120D20MP12C	XAF/XAUD60H	0.99	1.01	1.01
TM9V120D20MP12C	XAFD60J	1.00	1.01	1.02
TM9V120D20MP12C	XAHD60G	0.96	0.95	0.98
TM9V120D20MP12C	XAHD60H	0.97	0.96	0.97
TM9V120D20MP12C	XAHD60J	0.98	0.95	0.98
TM9Y100C20MP11	XAF/XAUC60G	0.95	0.93	0.99
TM9Y100C20MP11	XAF/XAUD60G	0.96	0.93	1.00
TM9Y100C20MP11	XAF/XAUD60H	0.97	0.93	0.99

FURNACE MULTIPLIERS - 5 TON (Continued)

Furnaces	Coil	T.C.	S.C.	KW
TM9Y100C20MP11	XAFC60H	0.97	0.95	0.97
TM9Y100C20MP11	XAFD60J	0.98	0.94	1.00
TM9Y100C20MP11	XAHC60G	0.95	0.94	0.99
TM9Y100C20MP11	XAHC60H	0.97	0.95	0.97
TM9Y100C20MP11	XAHD60G	0.96	0.93	1.00
TM9Y100C20MP11	XAHD60H	0.97	0.93	0.99
TM9Y100C20MP11	XAHD60J	0.98	0.93	1.00
TM9Y120D20MP11	XAF/XAUD60G	0.96	0.95	0.98
TM9Y120D20MP11	XAF/XAUD60H	0.97	0.96	0.99
TM9Y120D20MP11	XAFD60J	0.98	0.95	0.98
TM9Y120D20MP11	XAHD60G	0.95	0.94	0.97
TM9Y120D20MP11	XAHD60H	0.97	0.96	0.99
TM9Y120D20MP11	XAHD60J	0.98	0.95	1.00
TMLE080C16MP11	XAF/XAUC60G	0.95	0.94	0.99
TMLE080C16MP11	XAF/XAUD60G	0.96	0.93	1.00
TMLE080C16MP11	XAF/XAUD60H	0.98	0.95	1.00
TMLE080C16MP11	XAFC60H	0.97	0.96	0.99
TMLE080C16MP11	XAFD60J	0.99	0.95	1.01
TMLE080C16MP11	XAHC60G	0.95	0.94	0.99
TMLE080C16MP11	XAHC60H	0.97	0.96	0.99
TMLE080C16MP11	XAHD60G	0.96	0.94	1.00
TMLE080C16MP11	XAHD60H	0.98	0.95	1.00
TMLE080C16MP11	XAHD60J	0.98	0.93	1.00
TMLE080C20MP11	XAF/XAUC60G	0.97	0.99	1.01
TMLE080C20MP11	XAF/XAUD60G	0.97	0.98	1.02
TMLE080C20MP11	XAF/XAUD60H	0.98	0.94	0.98
TMLE080C20MP11	XAFC60H	0.98	1.00	1.00
TMLE080C20MP11	XAFD60J	1.01	1.00	1.03
TMLE080C20MP11	XAHC60G	0.96	0.94	0.98
TMLE080C20MP11	XAHC60H	0.97	0.95	0.95
TMLE080C20MP11	XAHD60G	0.97	0.99	1.02
TMLE080C20MP11	XAHD60H	0.98	0.94	0.98
TMLE080C20MP11	XAHD60J	0.99	0.93	0.99
TMLE100C16MP11	XAF/XAUC60G	0.95	0.94	0.99
TMLE100C16MP11	XAF/XAUD60G	0.96	0.93	1.00
TMLE100C16MP11	XAF/XAUD60H	0.98	0.95	1.00
TMLE100C16MP11	XAFC60H	0.97	0.96	0.99
TMLE100C16MP11	XAFD60J	0.99	0.95	1.01
TMLE100C16MP11	XAHC60G	0.95	0.94	0.99
TMLE100C16MP11	XAHC60H	0.97	0.96	0.99
TMLE100C16MP11	XAHD60G	0.96	0.94	1.00
TMLE100C16MP11	XAHD60H	0.98	0.95	1.00
TMLE100C16MP11	XAHD60J	0.99	0.94	1.01
TMLE100C20MP11	XAF/XAUC60G	0.95	0.93	0.97
TMLE100C20MP11	XAF/XAUD60G	0.96	0.92	0.98
TMLE100C20MP11	XAF/XAUD60H	0.99	0.99	1.01
TMLE100C20MP11	XAFC60H	0.97	0.95	0.95
TMLE100C20MP11	XAFD60J	0.99	0.93	0.99
TMLE100C20MP11	XAHC60G	0.97	0.99	1.01
TMLE100C20MP11	XAHC60H	0.97	0.95	0.95
TMLE100C20MP11	XAHD60G	0.97	0.99	1.02
TMLE100C20MP11	XAHD60H	0.99	0.99	1.01
TMLE100C20MP11	XAHD60J	1.00	0.99	1.02
TMLE120C16MP11	XAF/XAUC60G	0.95	0.94	0.99
TMLE120C16MP11	XAF/XAUD60G	0.96	0.93	1.00
TMLE120C16MP11	XAF/XAUD60H	0.98	0.95	1.00
TMLE120C16MP11	XAFC60H	0.97	0.96	0.97

FURNACE MULTIPLIERS - 5 TON (Continued)

Furnaces	Coil	T.C.	S.C.	KW
TMLE120C16MP11	XAFD60J	0.99	0.95	1.01
TMLE120C16MP11	XAHC60G	0.95	0.94	0.99
TMLE120C16MP11	XAHC60H	0.97	0.96	0.97
TMLE120C16MP11	XAHD60G	0.96	0.94	1.00
TMLE120C16MP11	XAHD60H	0.98	0.95	1.00
TMLE120C16MP11	XAHD60J	0.99	0.95	1.01
TMLE120C20MP11	XAF/XAUC60G	0.95	0.92	0.95
TMLE120C20MP11	XAF/XAUD60G	0.97	0.98	1.02
TMLE120C20MP11	XAF/XAUD60H	0.99	0.99	1.01
TMLE120C20MP11	XAFC60H	0.97	0.94	0.95
TMLE120C20MP11	XAFD60J	1.01	1.00	1.03
TMLE120C20MP11	XAHC60G	0.97	0.99	1.01
TMLE120C20MP11	XAHC60H	0.98	1.00	1.00
TMLE120C20MP11	XAHD60G	0.97	0.99	1.02
TMLE120C20MP11	XAHD60H	0.99	0.99	1.01
TMLE120C20MP11	XAHD60J	0.99	0.93	0.99
TMLE130D20MP11	XAF/XAUD60G	0.97	1.00	1.01
TMLE130D20MP11	XAF/XAUD60H	0.98	0.98	0.98
TMLE130D20MP11	XAFD60J	0.99	0.96	0.99
TMLE130D20MP11	XAHD60G	0.96	0.95	0.98
TMLE130D20MP11	XAHD60H	0.98	0.98	0.98
TMLE130D20MP11	XAHD60J	0.99	0.96	0.99
TMLV080C16MP12C	CF/CM/CU60C	0.99	1.06	1.03
TMLV080C16MP12C	CF/CM/CU60D	0.99	1.06	1.03
TMLV080C16MP12C	CF/CM64D	1.01	1.09	1.05
TMLV100C16MP12C	CF/CM/CU60C	0.99	1.06	1.03
TMLV100C16MP12C	CF/CM/CU60D	0.99	1.06	1.03
TMLV100C16MP12C	CF/CM64D	1.01	1.09	1.05
TMLV100C20MP12C	CF/CM/CU60C	0.99	1.04	0.99
TMLV100C20MP12C	CF/CM/CU60D	1.00	1.06	1.00
TMLV100C20MP12C	CF/CM64D	1.01	1.05	0.99
TMLV120C20MP12C	CF/CM/CU60C	0.99	1.04	0.99
TMLV120C20MP12C	CF/CM/CU60D	1.00	1.06	1.00
TMLV120C20MP12C	CF/CM64D	1.01	1.05	0.99
TMLV120C20MP12C	XAF/XAUC60G	0.97	1.00	1.01
TMLV120C20MP12C	XAF/XAUD60G	0.97	0.99	1.02
TMLV120C20MP12C	XAF/XAUD60H	0.99	1.00	1.01
TMLV120C20MP12C	XAFC60H	0.98	1.00	1.00
TMLV120C20MP12C	XAFD60J	0.99	0.94	0.99
TMLV120C20MP12C	XAHC60G	0.95	0.93	0.97
TMLV120C20MP12C	XAHC60H	0.97	0.95	0.95
TMLV120C20MP12C	XAHD60H	0.99	1.00	1.01
TMLX080C16MP11	CF/CM/CU60C	0.97	1.00	1.01
TMLX080C16MP11	CF/CM/CU60D	0.97	1.01	1.01
TMLX080C16MP11	CF/CM64D	1.00	1.04	1.02
TMLX100C16MP11	CF/CM/CU60C	0.97	1.00	1.01
TMLX100C16MP11	CF/CM/CU60D	0.97	1.01	1.01
TMLX100C16MP11	CF/CM64D	1.00	1.04	1.02
TMLX100C20MP11	CF/CM/CU60C	0.97	1.01	0.97
TMLX100C20MP11	CF/CM/CU60D	0.98	1.04	0.98
TMLX100C20MP11	CF/CM64D	1.01	1.05	0.97
TMLX120C20MP11	CF/CM/CU60C	0.97	1.01	0.97
TMLX120C20MP11	CF/CM/CU60D	0.98	1.04	0.98
TMLX120C20MP11	CF/CM64D	1.01	1.05	0.97
TP9C080C16MP13C	CF/CM/CU60C	0.98	1.01	1.02
TP9C080C16MP13C	CF/CM/CU60D	0.98	1.01	1.00
TP9C080C16MP13C	CF/CM64D	0.99	1.02	1.01

FURNACE MULTIPLIERS - 5 TON (Continued)

Furnaces	Coil	T.C.	S.C.	KW
TP9C100C16MP13C	CF/CM/CU60C	0.99	1.05	1.01
TP9C100C16MP13C	CF/CM/CU60D	0.99	1.05	1.01
TP9C100C16MP13C	CF/CM64D	1.00	1.01	1.00
TP9C100C16MP13C	XAF/XAUC60G	0.95	0.95	0.99
TP9C100C16MP13C	XAF/XAUD60G	0.96	0.94	1.00
TP9C100C16MP13C	XAF/XAUD60H	0.98	0.96	1.00
TP9C100C16MP13C	XAFC60H	0.97	0.96	0.99
TP9C100C16MP13C	XAFD60J	0.99	0.95	1.01
TP9C100C16MP13C	XAHC60G	0.95	0.95	0.99
TP9C100C16MP13C	XAHC60H	0.97	0.96	0.99
TP9C100C16MP13C	XAHD60G	0.96	0.95	1.00
TP9C100C16MP13C	XAHD60H	0.98	0.96	1.00
TP9C100C20MP13C	CF/CM/CU60C	0.99	1.05	1.01
TP9C100C20MP13C	CF/CM64D	1.00	1.05	1.02
TP9C100C20MP13C	XAF/XAUC60G	0.95	0.95	0.99
TP9C100C20MP13C	XAF/XAUD60G	0.97	0.95	1.01
TP9C100C20MP13C	XAF/XAUD60H	0.98	0.96	1.00
TP9C100C20MP13C	XAFC60H	0.97	0.98	0.99
TP9C100C20MP13C	XAFD60J	0.99	0.96	1.01
TP9C100C20MP13C	XAHC60G	0.95	0.95	0.99
TP9C100C20MP13C	XAHC60H	0.97	0.96	0.99
TP9C100C20MP13C	XAHD60G	0.96	0.95	1.00
TP9C100C20MP13C	XAHD60H	0.98	0.96	1.00
TP9C100C20MP13C	XAHD60J	0.99	0.95	1.01
TP9C120D20MP13C	CF/CM/CU60D	0.97	1.02	1.01
TP9C120D20MP13C	CF/CM64D	1.03	1.12	1.05
TP9C120D20MP13C	XAF/XAUD60G	0.97	1.00	1.01
TP9C120D20MP13C	XAF/XAUD60H	0.99	1.01	1.01
TP9C120D20MP13C	XAFD60J	1.00	1.01	1.02
TP9C120D20MP13C	XAHD60G	0.96	0.95	0.98
TP9C120D20MP13C	XAHD60H	0.97	0.96	0.97
TP9C120D20MP13C	XAHD60J	0.98	0.95	0.98
TPLC080C16MP13C	CF/CM/CU60C	0.99	1.06	1.03
TPLC080C16MP13C	CF/CM/CU60D	0.99	1.06	1.03
TPLC080C16MP13C	CF/CM64D	1.01	1.09	1.05
TPLC100C16MP13C	CF/CM/CU60C	0.99	1.06	1.03
TPLC100C16MP13C	CF/CM/CU60D	0.99	1.06	1.03
TPLC100C16MP13C	CF/CM64D	1.01	1.09	1.05
TPLC100C20MP13C	CF/CM/CU60C	0.99	1.04	0.99
TPLC100C20MP13C	CF/CM/CU60D	1.00	1.06	1.00
TPLC100C20MP13C	CF/CM64D	1.01	1.05	0.99
TPLC100C20MP13C	XAF/XAUC60G	0.97	1.00	1.01
TPLC100C20MP13C	XAF/XAUD60G	0.97	0.99	1.02
TPLC100C20MP13C	XAF/XAUD60H	0.99	1.00	1.01
TPLC100C20MP13C	XAFC60H	0.98	1.00	1.00
TPLC100C20MP13C	XAFD60J	0.99	0.94	0.99
TPLC100C20MP13C	XAHC60G	0.95	0.93	0.97
TPLC100C20MP13C	XAHC60H	0.97	0.95	0.95
TPLC100C20MP13C	XAHD60H	0.99	1.00	1.01
TPLC120C20MP13C	CF/CM/CU60C	0.99	1.04	0.99
TPLC120C20MP13C	CF/CM/CU60D	1.00	1.06	1.00
TPLC120C20MP13C	CF/CM64D	1.01	1.05	0.99
TPLC120C20MP13C	XAF/XAUC60G	0.97	1.00	1.01
TPLC120C20MP13C	XAF/XAUD60G	0.97	0.99	1.02
TPLC120C20MP13C	XAF/XAUD60H	0.99	1.00	1.01
TPLC120C20MP13C	XAFC60H	0.98	1.00	1.00
TPLC120C20MP13C	XAFD60J	0.99	0.94	0.99

FURNACE MULTIPLIERS - 5 TON (Continued)

Furnaces	Coil	T.C.	S.C.	KW
TPLC120C20MP13C	XAHC60G	0.95	0.93	0.97
TPLC120C20MP13C	XAHC60H	0.97	0.95	0.95
TPLC120C20MP13C	XAHD60H	0.99	1.00	1.01
CP9C080C16MP13C	CF/CM/CU60C	0.98	1.01	1.02
CP9C080C16MP13C	CF/CM/CU60D	0.98	1.01	1.00
CP9C080C16MP13C	CF/CM64D	0.99	1.02	1.01
CP9C100C16MP13C	CF/CM/CU60C	0.99	1.05	1.01
CP9C100C16MP13C	CF/CM/CU60D	0.99	1.05	1.01
CP9C100C16MP13C	CF/CM64D	1.00	1.01	1.00
CP9C100C16MP13C	XAF/XAUC60G	0.95	0.95	0.99
CP9C100C16MP13C	XAF/XAUD60G	0.96	0.94	1.00
CP9C100C16MP13C	XAF/XAUD60H	0.98	0.96	1.00
CP9C100C16MP13C	XAFC60H	0.97	0.96	0.99
CP9C100C16MP13C	XAFD60J	0.99	0.95	1.01
CP9C100C16MP13C	XAHC60G	0.95	0.95	0.99
CP9C100C16MP13C	XAHC60H	0.97	0.96	0.99
CP9C100C16MP13C	XAHD60G	0.96	0.95	1.00
CP9C100C16MP13C	XAHD60H	0.98	0.96	1.00
CP9C100C20MP13C	CF/CM/CU60C	0.99	1.05	1.01
CP9C100C20MP13C	CF/CM64D	1.00	1.05	1.02
CP9C100C20MP13C	XAF/XAUC60G	0.95	0.95	0.99
CP9C100C20MP13C	XAF/XAUD60G	0.97	0.95	1.01
CP9C100C20MP13C	XAF/XAUD60H	0.98	0.96	1.00
CP9C100C20MP13C	XAFC60H	0.97	0.98	0.99
CP9C100C20MP13C	XAFD60J	0.99	0.96	1.01
CP9C100C20MP13C	XAHC60G	0.95	0.95	0.99
CP9C100C20MP13C	XAHC60H	0.97	0.96	0.99
CP9C100C20MP13C	XAHD60G	0.96	0.95	1.00
CP9C100C20MP13C	XAHD60H	0.98	0.96	1.00
CP9C100C20MP13C	XAHD60J	0.99	0.95	1.01
CP9C120D20MP13C	CF/CM/CU60D	0.97	1.02	1.01
CP9C120D20MP13C	CF/CM64D	1.03	1.12	1.05
CP9C120D20MP13C	XAF/XAUD60G	0.97	1.00	1.01
CP9C120D20MP13C	XAF/XAUD60H	0.99	1.01	1.01
CP9C120D20MP13C	XAFD60J	1.00	1.01	1.02
CP9C120D20MP13C	XAHD60G	0.96	0.95	0.98
CP9C120D20MP13C	XAHD60H	0.97	0.96	0.97
CP9C120D20MP13C	XAHD60J	0.98	0.95	0.98
CPLC080C16MP13C	CF/CM/CU60C	0.99	1.06	1.03
CPLC080C16MP13C	CF/CM/CU60D	0.99	1.06	1.03
CPLC080C16MP13C	CF/CM64D	1.01	1.09	1.05
CPLC100C16MP13C	CF/CM/CU60C	0.99	1.06	1.03
CPLC100C16MP13C	CF/CM/CU60D	0.99	1.06	1.03
CPLC100C16MP13C	CF/CM64D	1.01	1.09	1.05
CPLC100C20MP13C	CF/CM/CU60C	0.99	1.04	0.99
CPLC100C20MP13C	CF/CM/CU60D	1.00	1.06	1.00
CPLC100C20MP13C	CF/CM64D	1.01	1.05	0.99
CPLC100C20MP13C	XAF/XAUC60G	0.97	1.00	1.01
CPLC100C20MP13C	XAF/XAUD60G	0.97	0.99	1.02
CPLC100C20MP13C	XAF/XAUD60H	0.99	1.00	1.01
CPLC100C20MP13C	XAFC60H	0.98	1.00	1.00
CPLC100C20MP13C	XAFD60J	0.99	0.94	0.99
CPLC100C20MP13C	XAHC60G	0.95	0.93	0.97
CPLC100C20MP13C	XAHC60H	0.97	0.95	0.95
CPLC100C20MP13C	XAHD60H	0.99	1.00	1.01
CPLC120C20MP13C	CF/CM/CU60C	0.99	1.04	0.99
CPLC120C20MP13C	CF/CM/CU60D	1.00	1.06	1.00

FURNACE MULTIPLIERS - 5 TON (Continued)

Furnaces	Coil	T.C.	S.C.	KW
CPLC120C20MP13C	CF/CM64D	1.01	1.05	0.99
CPLC120C20MP13C	XAF/XAUC60G	0.97	1.00	1.01
CPLC120C20MP13C	XAF/XAUD60G	0.97	0.99	1.02
CPLC120C20MP13C	XAF/XAUD60H	0.99	1.00	1.01
CPLC120C20MP13C	XAFC60H	0.98	1.00	1.00
CPLC120C20MP13C	XAFD60J	0.99	0.94	0.99

FURNACE MULTIPLIERS - 5 TON (Continued)

Furnaces	Coil	T.C.	S.C.	KW
CPLC120C20MP13C	XAHC60G	0.95	0.93	0.97
CPLC120C20MP13C	XAHC60H	0.97	0.95	0.95
CPLC120C20MP13C	XAHD60H	0.99	1.00	1.01