

Section XVI: Wiring diagram

WHEN INSTALLING HEATER KIT, BE SURE THE BLOWER SPEED IS SET TO THE SPEED SPECIFIED FOR THE AIR HANDLER/HEATER KIT COMBINATION ON THIS UNIT'S INSTALLATION INSTRUCTIONS.

SEE INSTALLATION INSTRUCTIONS FOR PROPER LOW VOLTAGE FIELD WIRING CONNECTIONS.

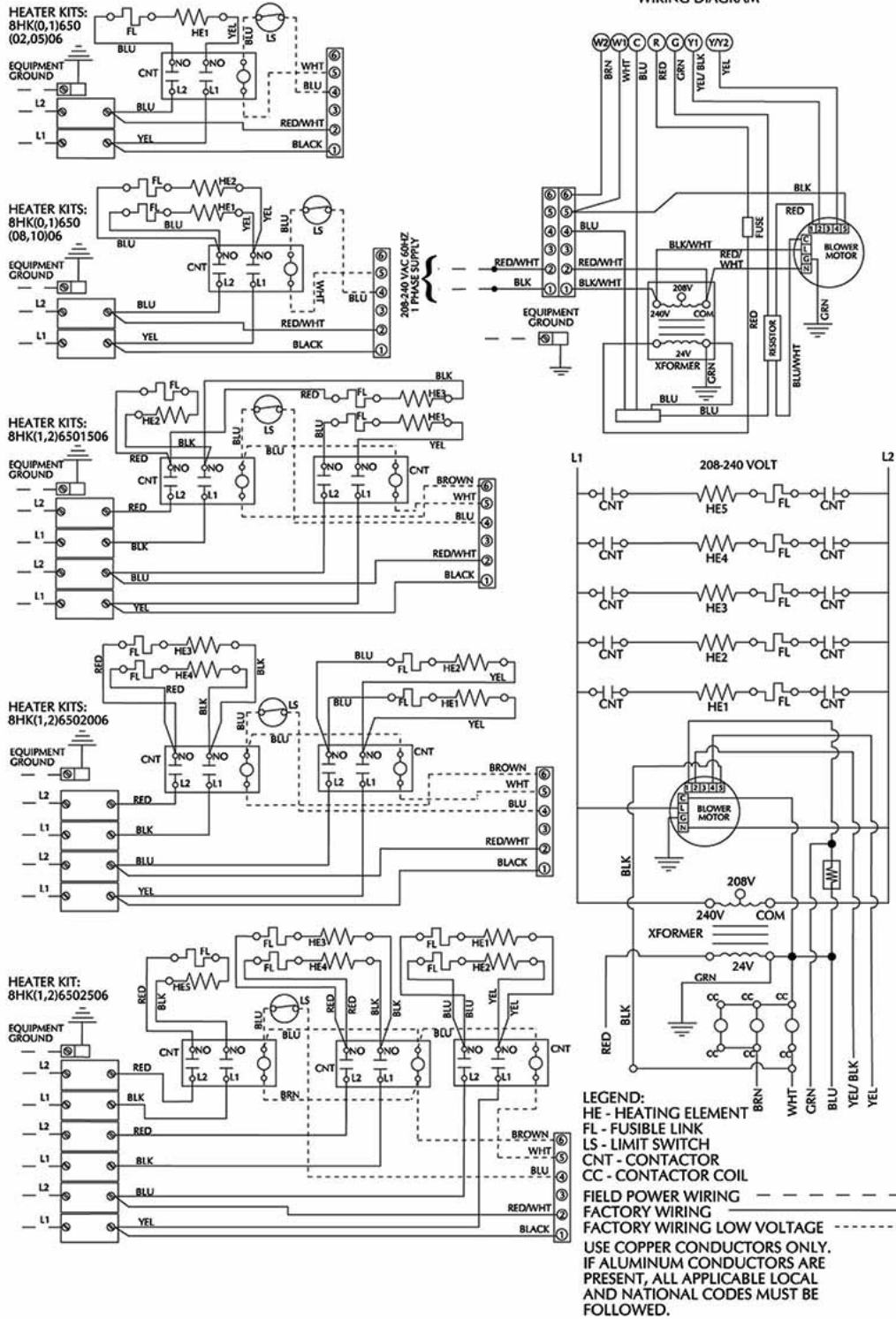
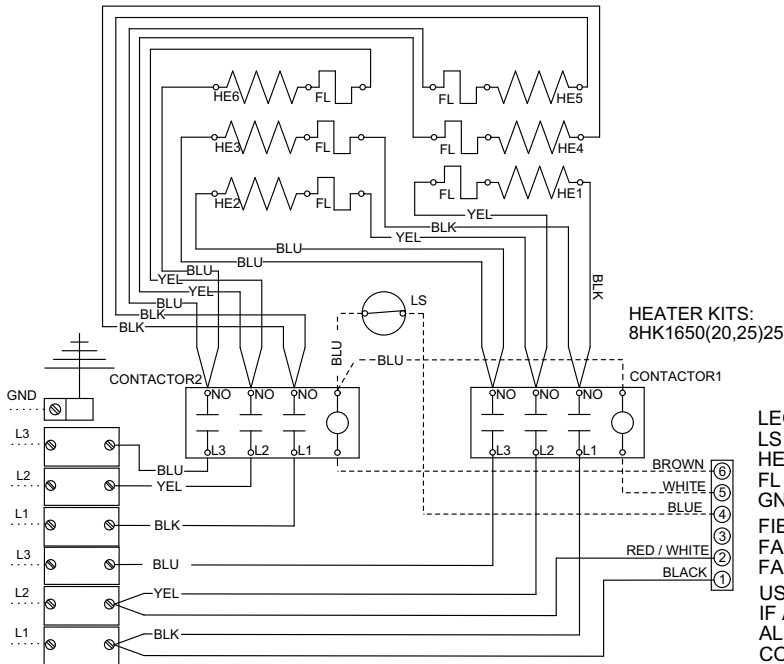
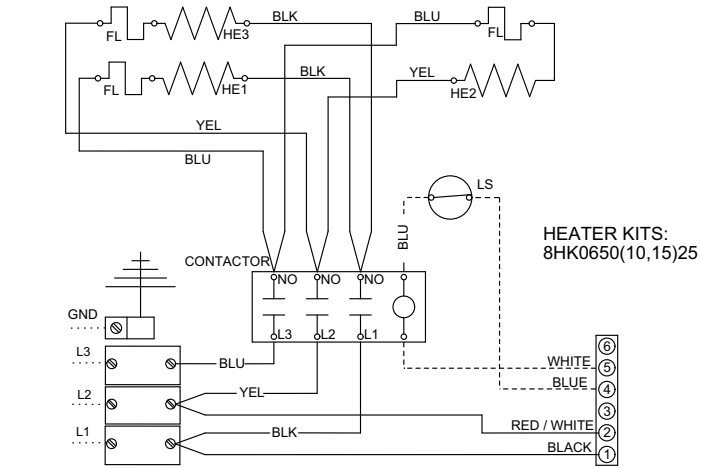


Figure 20: Wiring diagram - standard ECM - single phase heat kits

WHEN INSTALLING HEATER KIT, BE SURE THE BLOWER SPEED IS SET TO THE SPEED SPECIFIED FOR THE AIR HANDLER / HEATER KIT COMBINATION IN THIS UNIT'S INSTALLATION INSTRUCTIONS

3 PHASE ELECTRIC HEAT KITS



LEGEND
 LS - LIMIT SWITCH
 HE - HEATING ELEMENT
 FL - FUSIBLE LINK
 GND - EQUIPMENT GROUND
 FIELD POWER WIRING
 FACTORY WIRING _____
 FACTORY WIRING LOW VOLTAGE - - - - -
 USE COPPER CONDUCTORS ONLY.
 IF ALUMINUM CONDUCTORS ARE PRESENT,
 ALL APPLICABLE LOCAL AND NATIONAL
 CODES MUST BE FOLLOWED.

6151789-UWD-A-0821

Figure 21: Wiring diagram - 208/230V three phase heat kits

Section XVII: Control wiring

NOTICE

For Figure 22, Figure 23, Figure 24, and Figure 25:
 Continuous fan (G) indoor blower speed tap must be set for a lower speed than first stage compressor speed. If the lowest blower speed tap must be used for first stage compressor speed, do not use the air handler Y1 connection. Allow the room thermostat to energize (G) for first stage compressor blower speed.

NOTICE

For Figure 22, Figure 25, and Figure 27:
 Do not bond any of the outdoor unit **W** wires together.

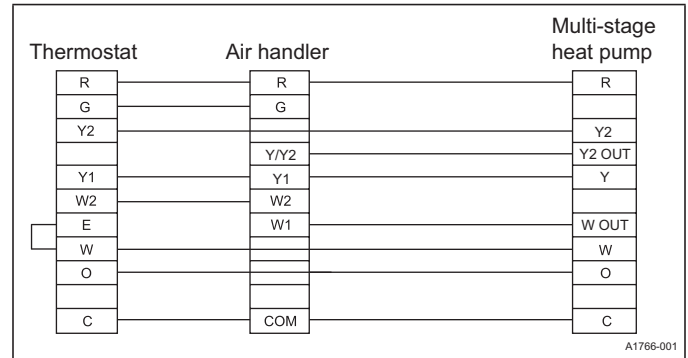


Figure 25: Standard ECM AH and standard multi-stage HP - conventional wiring

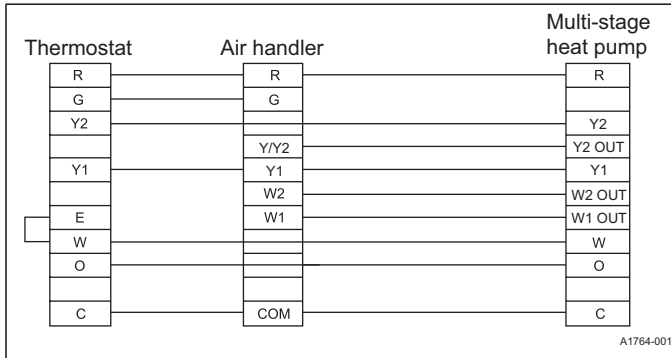


Figure 22: Standard ECM AH and premium multi-stage HP - conventional wiring

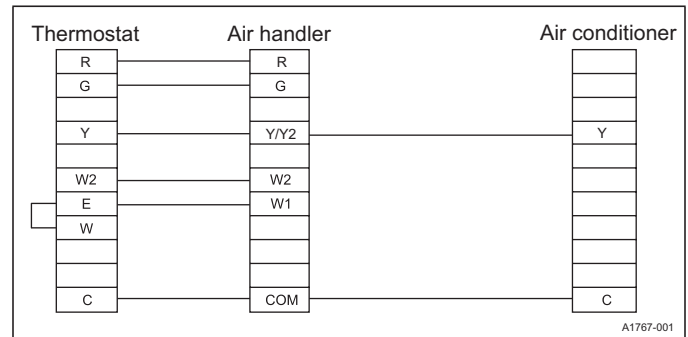


Figure 26: Standard ECM AH and single-stage AC - conventional wiring

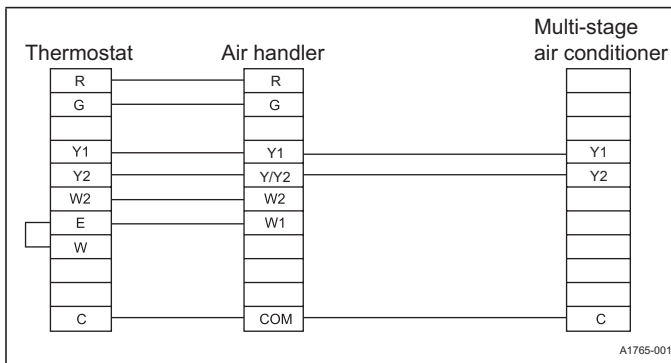


Figure 23: Standard ECM AH and standard multi-stage AC - conventional wiring

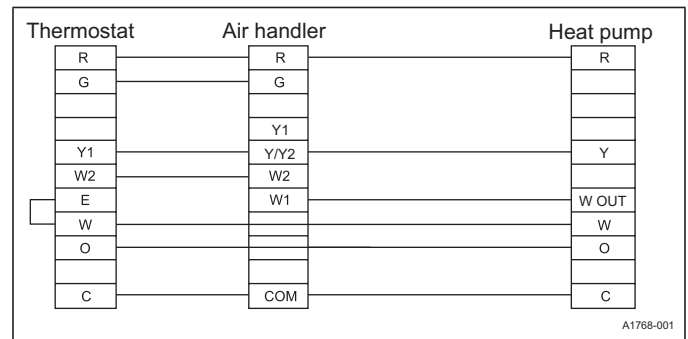


Figure 27: Standard ECM AH and single-stage HP - conventional wiring

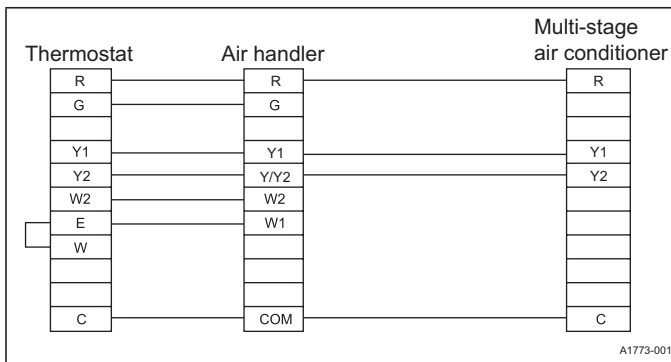


Figure 24: Standard ECM AH and premium multi-stage AC - conventional wiring

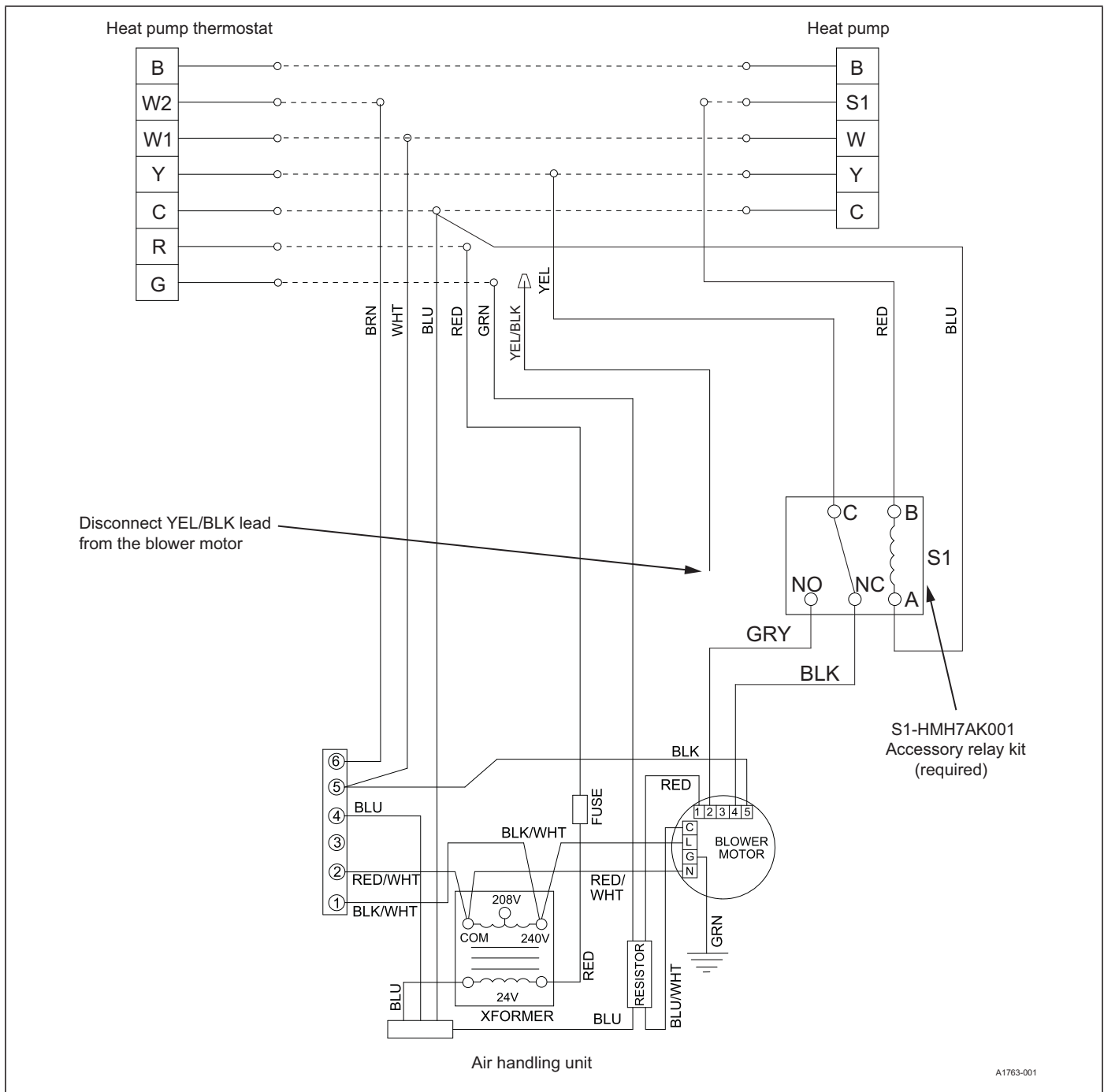


Figure 28: HMH7 HP connection