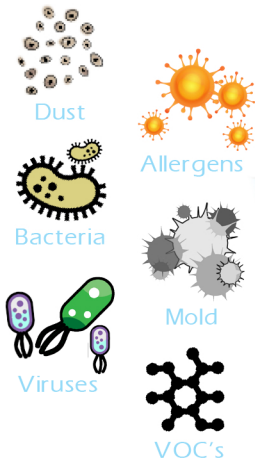


Free the air you breathe of
irritants & pathogens!



Free ions.
"They're what keep fresh-air FRESH!"

Phenomenal Aire[®]

Cold Plasma Generator Technology



Top Product Innovations, Inc.
P.O. Box 3118 Indian Trail, NC 28079
main 888-505-2988 fax 704-821-3412
www.topproductinnovations.com

Series R

Installation, Operation, &
Maintenance Manual
Rev. 010819

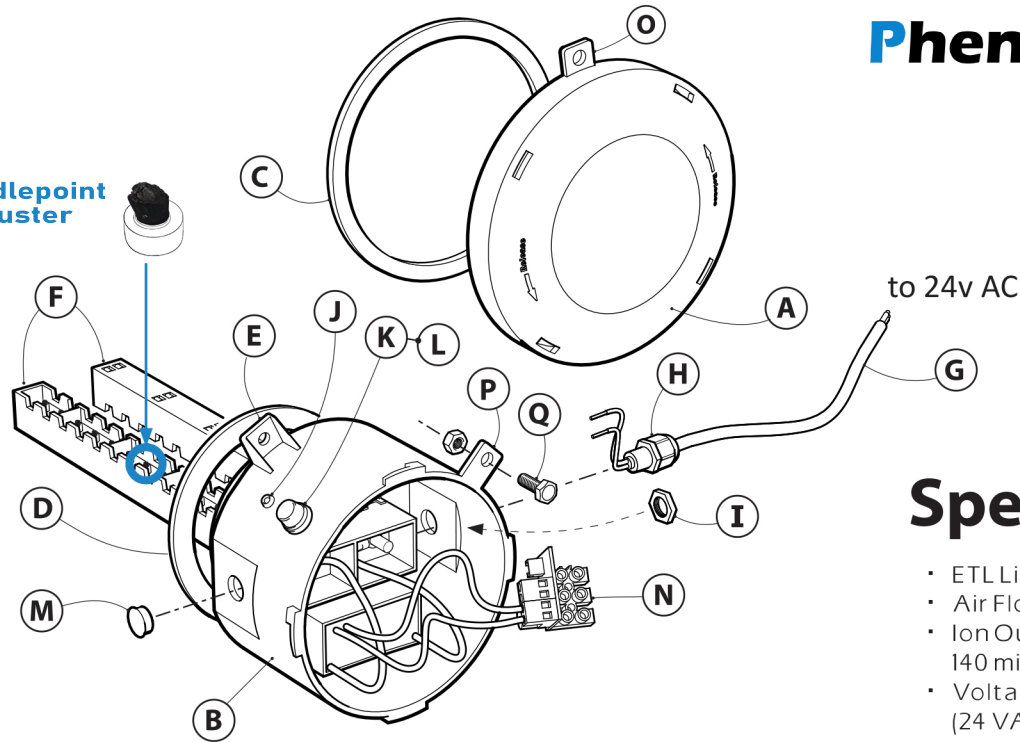
Components

Phenomenal Aire Series R

Rev. 010819

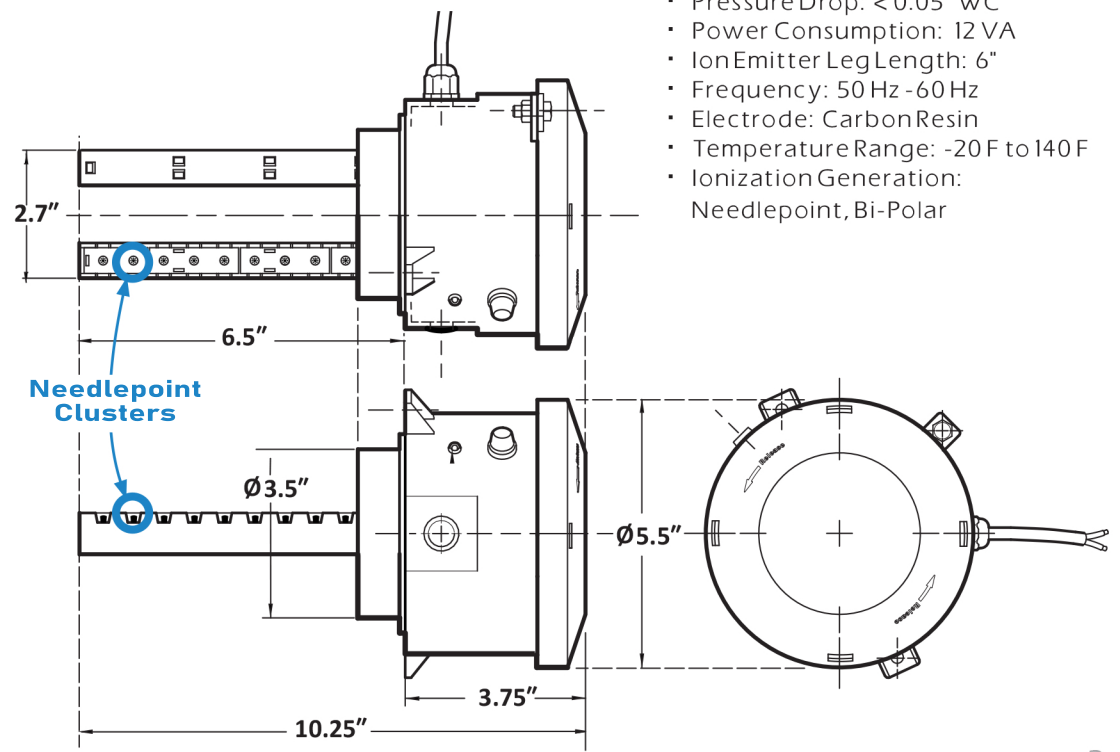
Part #	Ref:	Description
R6-001	(A)	Lid
R6-002	(B)	Body
R6-003	(C)	O-Ring, Lid
R6-004	(D)	Duct Collar / Gasket
	(E)	Mounting Tab (2)
R6-005	(F)	CPG* Stingers (2)
R6-006	(G)	Power Cord
R6-007	(H)	Power Cord Strain Relief Fitting
R6-008	(I)	Strain Relief Nut
R6-009	(J)	"Power-on" LED
R6-010	(K)	Fuse-holder
R6-011	(L)	Fuse, 250 watt AC, 1Amp
R6-012	(M)	Cap, Alt. Power Feed-thru
R6-013	(N)	PCB Assy: Power-in Terminal Block
	(O)	Tab, Lid- Thru-bolt
	(P)	Tab, Body- Thru-bolt
R6-014	(Q)	Bolt & Nut, Security

Needlepoint Cluster



Specifications

- ETL Listed
- Air Flow Capacity: 0 to 6,000 CFM
- Ion Output:
140 million ions/cm³
- Voltage: 16 - 35 VAC
(24 VAC power supply req'd.)
- Pressure Drop: < 0.05" WC
- Power Consumption: 12 VA
- Ion Emitter Leg Length: 6"
- Frequency: 50 Hz - 60 Hz
- Electrode: Carbon Resin
- Temperature Range: -20 F to 140 F
- Ionization Generation:
Needlepoint, Bi-Polar



* Cold Plasma Generator

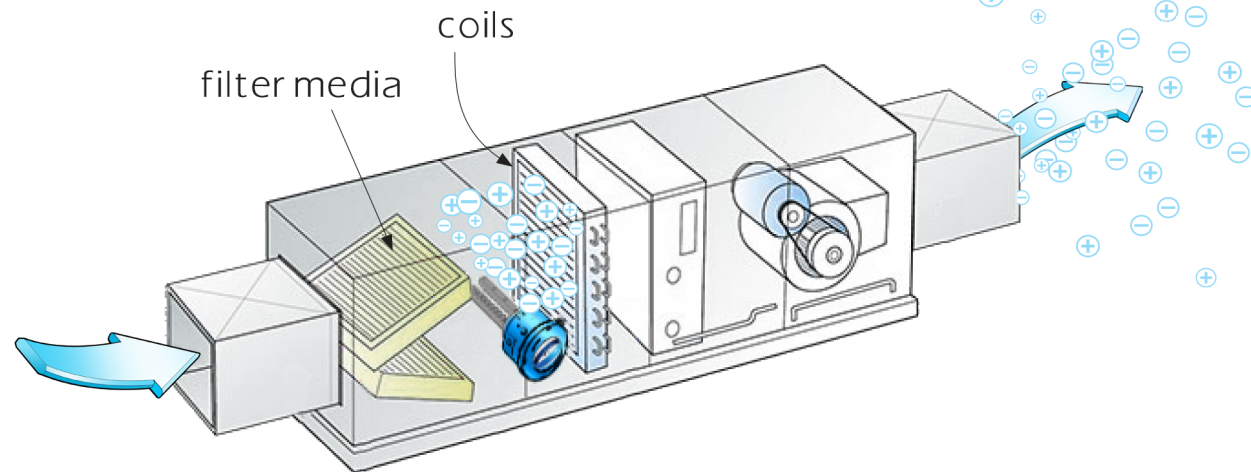
Warning

1. Do not touch electrodes or needles while operating. You may experience a static shock.
2. Do not use an extension cord to plug in the product.
3. Always disconnect power before installing or servicing.
4. Always disconnect power before attempting to replace the fuse.
5. The product should be installed in an area with access for maintenance & inspection.
6. This product is suitable for installing into a duct of metallic or fiber duct board.
7. If cleaning Stingers, take care not to damage needlepoint clusters

Installation

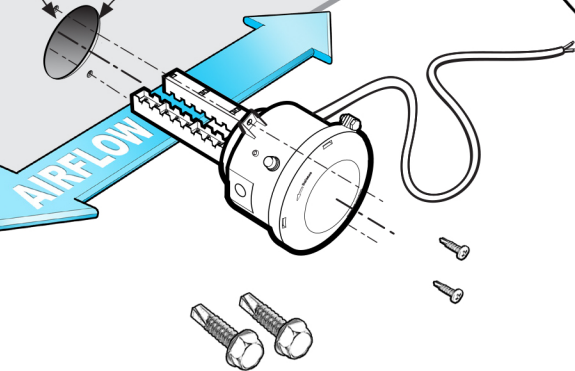
Where to install your Phenomenal Aire Ion Generator:

Mount your ionizer so that the legs extend through a 3-5/8" hole in your duct wall, are oriented in line with air flow per diagram below, and that the ionizer body and mounting tabs are flush against the exterior face, ready for fasteners. Hardware is supplied for both metal and fiber duct construction.



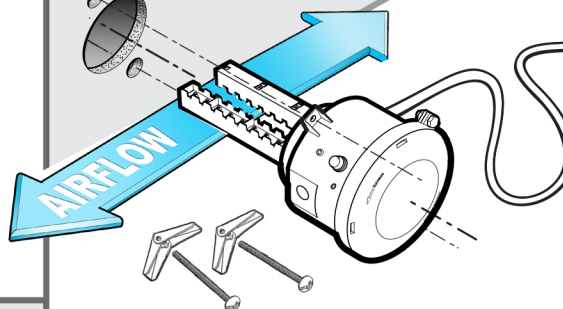
(2) holes per fastener type.

3 5/8" Ø



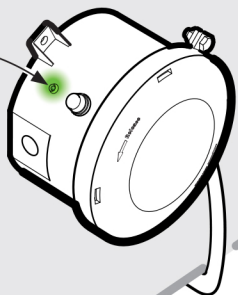
(2) sheet-metal screws for steel duct (incl.)

(2) holes per fastener type.



(2) toggle-bolts for fiber/foam duct (incl.)

Green LED indicates power ON, and ionizer operating.



Location

Best:

- **After** any particulate system filter, and **before** the cooling coil. Any system filter in place downstream of your ionizer may reduce the volume of ions from delivering maximum benefits to your living/work spaces. Free ions cause fine particulates to "clump together" and collect in your return-air filter media.

Your ionizer will also clean and protect your coils from contamination by bacteria, viruses and mold.

Good:

- After the cooling coil, in a dry, condensation-free area.
- At supply air discharge, beyond any final filtration.

Phenomenal Aire requires little or no maintenance!

To ensure lasting performance and maximum benefits:

1. In first year of operation, visually inspect quarterly. Clean away any construction dust that may have accumulated on stingers.
2. An annual visual inspection is recommend. Adjust inspection frequency per conditions of zones served.
3. If you see a build up of dust, spray needlepoints clean with a compressed gas duster available at a retail office supply. In cases of heavy dust build-up, use a soft cloth with isopropyl alcohol.
4. Your system's filters may gather a lot of dust following initial startup and subsequent first cleanup of air in zone serviced by your ionizer. Filter change frequency should normalize after 2 or 3 filter changes.

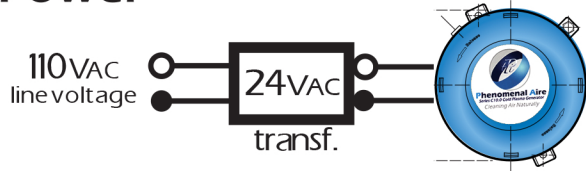
Trouble Shooting:

1. Green power "ON" light not lit: Verify 24v power supply functioning. Check fuse (under black twist-off cap).
2. No ionization detected: Confirm legs are free of dust build-up.

If power, fuse, and CPG legs look good, contact a local Phenomenal Aire rep.: Warranty, page 4.

Wiring Schematic

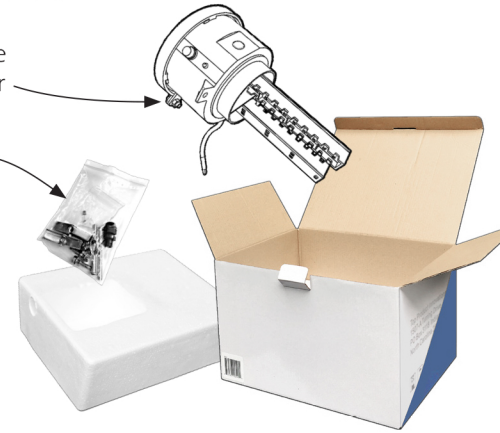
Power



In the box:

TPI Phenomenal Aire
Cold Plasma Generator

Hardware pack
for metal or fiber
duct install



Phenomenal Aire

Series R

Rev. 010819

Guarantee Terms & Conditions

1. **GUARANTEE:** EQUIPMENT MANUFACTURED BY TOP PRODUCT INNOVATIONS, HEREBY KNOWN AS "TPI", IS WARRANTED BY TPI TO BE FREE FROM DEFECTS, WORKMANSHIP OR MATERIALS, FOR A PERIOD OF ONE (1) YEAR FROM THE DATE OF PRODUCT INSTALLATION. THE FOREGOING WARRANTY SHALL NOT APPLY TO EQUIPMENT ALTERED OR REPAIRED AFTER SHIPMENT, BY ANY PERSON NOT AUTHORIZED BY TPI, AND TPI SHALL IN NO EVENT BE LIABLE FOR ANY ALTERATIONS OR REPAIRS MADE WITHOUT ITS WRITTEN CONSENT. IN ADDITION:

(A) THE EQUIPMENT MUST BE INSTALLED AND OPERATED IN ACCORDANCE WITH TPI'S INSTRUCTIONS AND LITERATURE

(B) GUARANTEE APPLIES ONLY TO PARTS/ITEMS THAT ARE DEFECTIVE WHEN SHIPPED FROM THE FACTORY. IF A PART IS FOUND TO BE DEFECTIVE WHEN SHIPPED, WHETHER THIS DEFECT SHOWS UP IMMEDIATELY OR, DURING THE GUARANTEE PERIOD, THROUGH PROPER USE OF THE EQUIPMENT, TPI, AT ITS OPTION, WILL REPAIR THE PART, FURNISH A REPLACEMENT PART OR ISSUE A CREDIT MEMORANDUM.

(C) GUARANTEE APPLIES TO PARTS ONLY, FOB FACTORY, AND SPECIFICALLY EXCLUDES LABOR TO REMOVE AND INSTALL REPLACEMENT PARTS.

(D) IT SHALL BE THE SOLE DECISION OF TPI TO HAVE DEFECTIVE PRODUCTS SHIPPED TO THEIR FACILITY FOR EVALUATION OR DISPOSAL. CUSTOMERS RETURNING PRODUCTS THAT ARE FOUND NOT TO BE DEFECTIVE SHALL BE CHARGED ACCORDINGLY FOR MATERIAL AND SHIPPING COSTS.

2. **DISCLAIMER OF WARRANTIES:** THE FOREGOING OBLIGATIONS ARE IN LIEU OF ALL OTHER OBLIGATIONS AND LIABILITIES, INCLUDING ALL OTHER WARRANTIES, EXPRESSED OR IMPLIED, INCLUDING ANY WARRANTY OF MERCHANTABILITY OR FITNESS FOR PARTICULAR APPLICATIONS OR PURPOSES, WHICH ARE HEREBY EXPRESSLY EXCLUDED. IN NO EVENT SHALL TPI BE LIABLE TO THE CUSTOMER FOR ANY DIRECT, COLLATERAL, INCIDENTAL, CONSEQUENTIAL OR EXEMPLARY DAMAGES IN CONNECTION WITH THE CUSTOMER'S USE OR OPERATION OF THE EQUIPMENT, OR FOR ANY OTHER CAUSE WHATSOEVER RELATING TO THE EQUIPMENT OR ITS INSTALLATION. THIS WARRANTY DOES NOT COVER ANY INCIDENT RELATED TO MOLD, BACTERIA, VIRUS OR TOXIC GAS. CUSTOMER ACKNOWLEDGES AND REPRESENTS TO TPI THAT NO EMPLOYEE, AGENT OR REPRESENTATIVE OF TPI HAS MADE ANY WARRANTY OR REPRESENTATION REGARDING THE MERCHANDISE, EXCEPT AS SET OUT PARAGRAPH 1, ABOVE.

3. **LIMITATION OF REMEDY:** NEITHER TPI NOR ITS REPRESENTATIVES SHALL BE LIABLE TO CUSTOMER, OR ANYONE ELSE, FOR ANY LIABILITY, CLAIM, LOSS, DAMAGE OR EXPENSE OF ANY KIND, OR FOR ANY DIRECT, COLLATERAL, INCIDENTAL CONSEQUENTIAL, OR EXEMPLARY DAMAGES RELATIVE TO, ARISING FROM, CAUSED DIRECTLY OR INDIRECTLY BY THE EQUIPMENT, ITS INSTALLATION OR THE USE THEREOF OR ANY DEFICIENCY, DEFECT OR INADEQUACY OF THE EQUIPMENT AND IT IS EXPRESSLY AGREED THAT THE CUSTOMER'S EXCLUSIVE REMEDY FOR ANY CAUSE OF ACTION RELATING TO THE PURCHASE, INSTALLATION AND/OR USE OF THE EQUIPMENT SHALL BE FOR DAMAGES AND TPI'S LIABILITY FOR ANY AND ALL LOSSES OR DAMAGES RESULTING FROM ANY CAUSE WHATSOEVER, INCLUDING WITHOUT LIMITATION NEGLIGENCE, STRICT LIABILITY, ANY OTHER TORT, BREACH OF CONTRACT AND BREACH OF WARRANTY SHALL IN NO EVENT EXCEED THE PURCHASE PRICE OF THE EQUIPMENT IN RESPECT TO WHICH THE CLAIM IS MADE, OR AT THE ELECTION OF TPI THE RESTORATION, REPLACEMENT OR REPAIR OF SUCH EQUIPMENT.

4. **FREIGHT AND RISK OF LOSS:** UNLESS OTHERWISE STATED, (A) ALL EQUIPMENT IS SOLD FOB FACTORY AND (B) CUSTOMER HAS TITLE TO THE EQUIPMENT, AND THE RISK OF ITS LOSS OR DAMAGES IS ON THE CUSTOMER, FROM AND AFTER THE TIME THE EQUIPMENT LEAVES THE MANUFACTURING FACILITY, (DELIVERY/DISPATCH MAY BE MADE IN ONE LOT OR IN SEVERAL LOTS AT OUR OPTION AND WHEN MADE, IN SEVERAL LOTS, INVOICES WILL BE MADE OUT BY US REPRESENTING APPROXIMATELY THE PRICE OF EACH LOT AND THE AMOUNT OF ANY SUCH INVOICES WILL NOT BE DISPUTED AS LONG AS THE TOTAL OF INVOICES DOES NOT EXCEED THE TOTAL CONTRACT PRICE.

5. **TECHNICAL ADVICE:** UPON REQUEST WE WILL FURNISH TECHNICAL ADVICE TO THE CUSTOMER REGARDING THE USE OF OUR EQUIPMENT, BUT ONLY ON THE UNDERSTANDING THAT WE ASSUME NO OBLIGATION OR LIABILITY FOR SUCH ADVICE OR THE RESULTS OBTAINED THERE FROM AND THAT SUCH ADVICE IS GIVEN AND ACCEPTED AT CUSTOMER'S RISK.

6. **TAXES & DUTIES:** UNLESS OTHERWISE STATED, THE PURCHASE PRICE DOES NOT INCLUDE TAXES OR DUTIES. THE CUSTOMER AGREES TO REIMBURSE ANY TAX OR DUTY INCURRED BY TPI, UPON THE SALE, TRANSPORTATION, OR PURCHASE OF THE EQUIPMENT SOLD HEREUNDER.

7. TPI HEREBY RESERVES THE RIGHT TO MAKE WITHOUT NOTICE SUCH MINOR MODIFICATION IN SPECIFICATIONS, DESIGNS OR MATERIALS AS IT MAY BE DEEMED NECESSARY OR DESIRABLE BY EXPERIENCE.

8. THE PURCHASER SHALL NOT ASSIGN OR IN ANY WAY TRANSFER ANY OF ITS RIGHTS OR OBLIGATIONS HEREUNDER TO ANY OTHER PERSON(S), FIRM OR COMPANY WITHOUT OUR PRIOR WRITTEN CONSENT.

9. THIS AGREEMENT SHALL BE GOVERNED AND CONSTRUED IN ACCORDANCE WITH THE LAWS OF THE STATE OF NORTH CAROLINA. BOTH PARTIES ALSO AGREE TO SUBMIT TO THE EXCLUSIVE VENUE AND JURISDICTION OF THE COURTS OF THE STATE OF NORTH CAROLINA FOR ANY LITIGATION PERTAINING TO THIS AGREEMENT.

10. **MODIFICATION:** ANY CLAIM BY CUSTOMER THAT THE PARTIES HAVE MODIFIED THE ABOVE TERMS SHALL BE INEFFECTIVE TO CREATE ADDITIONAL DIFFERENT OBLIGATIONS ON TPI UNLESS SUCH MODIFICATION IS IN WRITING AND SIGNED BY AN AUTHORIZED REPRESENTATIVE OF TPI.

11. IF ANY PROVISION OF THIS AGREEMENT, INCLUDING ANY LIMITATION OF LIABILITY, IS HELD INVALID OR UNENFORCEABLE BY ANY COURT OF COMPETENT JURISDICTION, THE OTHER PROVISIONS OF THIS AGREEMENT WILL REMAIN IN FULL FORCE AND EFFECT. ANY PROVISION OF THIS AGREEMENT HELD TO BE INVALID OR UNENFORCEABLE ONLY IN PART OR DEGREE WILL REMAIN IN FULL FORCE AND EFFECT TO THE EXTENT NOT HELD INVALID OR UNENFORCEABLE. AT THE TIME OF PLACEMENT OF ORDER BY CUSTOMER TO TPI, THE CUSTOMER INDICATES HIS ACCEPTANCE TO THE ABOVE TERMS AS THE SOLE & EXCLUSIVE TERMS THE AGREEMENT BETWEEN TPI AND CUSTOMER.