



TECHNICAL GUIDE

SINGLE PACKAGE

HEAT PUMP / GAS HEAT

14 SEER – R-410A – 208/230V - 1 PHASE

2 TO 5 NOMINAL TONS

50 TO 125 MBH HEAT INPUT

MODELS: PHG4*24 TO 60



Due to continuous product improvement, specifications are subject to change without notice.

Visit us on the web at

www.simplygettingthejobdone.com and
www.colemanac.com

Additional rating information can be found at

www.ahridirectory.org

WARRANTY SUMMARY*

Extended 10-Years limited parts and compressor warranty
Lifetime gas heat exchanger warranty with registration.

* Extended warranty requires online registration within 90 days of purchase for replacement or closing for new home purchase. See limited warranty certificate in User's Information Manual for details.

DESCRIPTION

These packaged dual fuel cooling/gas heating/heat pumps are designed for outdoor installation. Only utility and duct connections are required at the point of installation.

FEATURES

- **Operating Efficiency** - All PHG4 models provide a minimum AFUE of 81.0% in gas heating and 14.0 SEER, 11.0 EER, and 8.0 HSPF ratings for heat pump cooling/heating operation. All models meet the California Low-Nox requirements of 40 ng/J emission level for Air Quality Management Districts.
- **On-Site Flexibility** - All model sizes use a compact design cabinet in one of two footprints. This provides installer flexibility for placing the proper capacity unit on curbs or pads with the smallest footprint after the internal load has been determined. Field convertible duct connections from side shot to down shot allow the installer to have greater flexibility with less inventory.
- **Lower Installation Cost** - Installation time and costs are reduced by easy power and control wiring connections. The small base dimension means less space is required on the ground or roof. All units are completely wired, charged with R-410A refrigerant, and tested prior to shipment. Test stations using a state-of-the-art computerized process system are used to ensure product quality. Refrigerant charge and component part numbers are verified via computers during assembly. Vital run test statistics such as system pressure, motor currents, air velocity and temperature, unit vibration, and gas system safeties are monitored and recorded by the system to ensure unit performance. Equal size side supply and return duct connections allow easy connection of ducts to match low crawl spaces without transition pieces.
- **Utility Connections Made Easy** - Gas and electric utility access is provided through the bottom or the side of the unit. Utility connections can be made quickly and with a minimum amount of field labor. A field supplied and field installed electrical disconnect switch must be installed.
- **Convertible Airflow Design** - The bottom duct openings are covered when they leave the factory, ready to be used for a side supply/side return application. If a bottom supply/bottom return application is required, simply remove the two panels from the bottom of the unit and place them in the side supply/side return duct openings. No panel cutting is required and no accessory panel is necessary. The convertible airflow design allows maximum field flexibility and minimum inventory.
- **Condensate Pan** - A corrosion-resistant, long-lasting, water-tight pan is positioned below the indoor coil to collect and drain all condensate, preventing build-up of stagnant condensate. The condensate pan conforms to ASHRAE 62-89 standards (Ventilation for Acceptable Indoor Air Quality).
- **Condensate Drain** - The 3/4 inch NPT female connection is rigidly mounted to ensure proper fit and leak tight seal.
- **Durable Finish** - The cabinet is made of G90 galvanized steel with a powder paint coating for appearance and protection. The pre-treated galvanized steel provides a better paint-to-steel bond, which resists corrosion and rust creep. The powder paint finish ensures less fading when exposed to sunlight, and provides superior corrosion resistance (1000 hour salt spray tested).

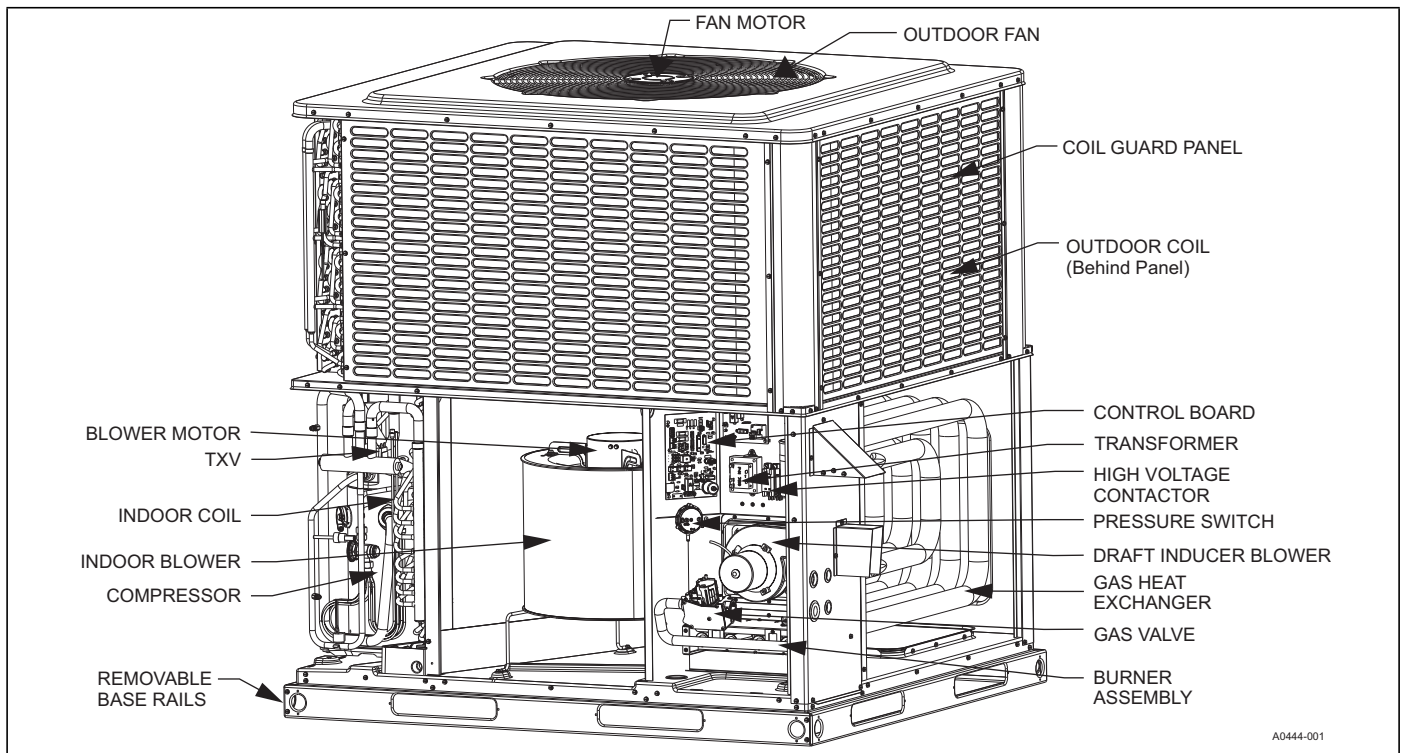
Continued on next page.

- **Full Perimeter Base Rails** - The easily removable base rails provide a solid foundation for the entire unit and protect the unit during shipment. The rails provide forklift access from all sides, and rigging holes are also provided so an overhead crane can be used to place the units on a roof. On applications where the unit is placed on a pad, the base keeps the unit off the pad to deter corrosion. On applications where height is limited, the base rails may be removed by removing 2 screws in each corner.
- **More Attractive Appearance** - A single-piece top cover containing a top-discharge outdoor fan arrangement requires less square footage on installation and provides a wider variety of installations. The one-piece design adds greater water integrity. Rounded corners with water drip edges add to the attractive appearance.
- **Top Discharge** - The top-discharge outdoor fan does not disrupt neighboring areas or dry out vegetation surrounding the unit. The warm air from the top mounted fan is blown up and away from the structure and any landscaping. This allows compact location on multi-unit applications.
- **Outdoor Coil Grille** - All models utilize a stamped slotted design that provides superior impact protection against small objects during transit and after installation.
- **Low Operating Sound Level** - The upward air flow carries the normal operating noise up and away from the living area. The rigid top panel effectively isolates noise. The isolator mounted compressor and the rippled fins of the outdoor coil muffle the normal fan motor and compressor operating sounds. The unique formed base pan also aids in sound attenuation with its structural design. This design strategically places embossments in the pan for optimum strength and rigidity.
- **Fan System** - All models operate over a wide range of design conditions with a standard ECM indoor fan motor. These units easily match all types of applications and provide greater on-site flexibility to match comfort requirements. The cooling speed is factory-set and can be field adjusted to an alternate speed. The heating speed is factory-set to maintain mid point rise at the unit's heating input, but can be field adjusted. This allows maximum comfort conditions.
- **Simple Control Circuit** - A low voltage gas heat printed circuit board contains a status/diagnostic indicator light. Field thermostat wiring connects to color coded leads using twist on wire connectors. Cooling controls use contactor and relays for simple application and troubleshooting. Mate-n-lock plug connectors are used. The electrical control box is not located in the compressor compartment. The controls are mounted to allow the separate access panel to be removed for troubleshooting and maintenance without affecting the normal system operating pressures. All wiring internal to the unit is color/number coded.
- **Controls** - Demand defrost curves are pre-loaded into the demand defrost control for optimized performance based on unit capabilities.
- **Protected Compressor** - The compressor is internally protected against high pressure and temperature. This is done by the simultaneous operation of a high pressure internal relief valve and a temperature sensor, which protects the compressor if undesirable operating conditions occur.
- **Pressure Switches** - A high pressure switch is standard in all units. When abnormal conditions are sensed through the pressure switch, the unit locks out, preventing any further operation until it is reset or the problem is corrected.
- **Exclusive Coil Design** - Grooved copper tubes and enhanced aluminum fin construction improve heat transfer for maximum efficiency and durability for long-lasting durability and efficient operation. Indoor coils use tin-coated copper tubing with aluminum fins for effective heat transfer.
- **Heat Exchangers** - Gas heat exchangers use corrosion-resistant, stainless-steel tubular construction to provide long-life, trouble-free operation. Gas heat exchangers are offered with lifetime warranties as standard with registration.
- **Post Purge Induced Draft Combustion** - Exhausts combustion products from the heat exchanger upon completion of the heating cycle to prolong the heat exchanger life.
- **Spark to Burner Ignition** - No pilot assembly is required, providing more consistent ignition in gas heating mode. This ignition system is highly reliable and durable and eliminates nuisance lockouts.
- **Multi Port In-Shot Burners** - No field adjustment is required to mix the air and gas for natural gas or propane use. These burners are constructed of high-grade corrosion-resistant, aluminumized steel.
- **Low Maintenance** - Long-life, permanently lubricated outdoor and indoor fan motor bearings need no annual maintenance, adding greater reliability to the unit. Slide-out blower assembly can be easily removed for cleaning.
- **Easy Service Access** - Individual access panels covering the electrical and gas controls, compressor, and blower section make servicing easy. Removing this panel allows easy removal of the blower assembly for maintenance and troubleshooting.
- **Replacement Parts** - The installer requires no special training to replace any of the components of these units, and the number of new components has been reduced to minimize the inventory of unique parts.
- **Loss of Charge Switch** - All models include a loss of charge switch to provide safe shutdown of the compressor.

NOMENCLATURE

PHG	4	A	24	050	2	X	1	A
1	2	3	4	5	6	7	8	9
1. Model Family PHG - packaged heat pump with gas heat, PCG - packaged A/C with gas heat, PCE - packaged A/C with electric heat, PHE - packaged heat pump with electric heat 2. Nominal Cooling Efficiency 4 = 14 SEER, 6 = 16 SEER, etc. 3. Cabinet Size A = small 35 x 51, B = large 45 x 51 4. Nominal Air Conditioning Cooling Capacity 24 = Nominal Capacity, etc. Examples: PHG4B421002X1 is a dual fuel, 14 SEER, 3-1/2 ton, large cabinet, single-stage heat, 100,000 BTU gas heat, 230 volt, single phase, low-NOx model (first generation, first release)					5. Gas Heating Input BTU/Hr x 1000 050 = 50,000 BTU/Hr. input, blank = electric heat 6. Voltage-Phase-Frequency 2 = 208/230-1-60, 3=208/230-3-60, 4 = 460-3-60 7. NOx Approval X = low-NOx, blank = not low-NOx 8. Generation Level 1 = first generation 9. Revision Level A = original release, B = second release			

COMPONENT LOCATION



UNIT LIMITATIONS

Model	Unit Voltage	Unit Limitations		
		Applied Voltage		Outdoor DB Temp
		Min	Max	Max (°F)
PHG4A24	208/230-1-60	187	252	125
PHG4A30	208/230-1-60	187	252	125
PHG4B36	208/230-1-60	187	252	125
PHG4B42	208/230-1-60	187	252	125
PHG4B48	208/230-1-60	187	252	125
PHG4B60	208/230-1-60	187	252	125

APPLICATIONS AND ACCESSORIES

Packaged Equipment Series	Application Limitations							
	Air Temperature at Outdoor Coil, °F				Air Temperature at Indoor Coil, °F			
	Min.		Max.		Min.		Max.	
	DB Cool	DB Heat	DB Cool	DB Heat	WB Cool	DB Heat	WB Cool	DB Heat
14 SEER HP	55	-10	125	75	57	50	72	80

- **Propane Conversion Kit (S1-1NP0703, S1-1NP0704)** - The kit includes burner orifices and gas valve conversion and installation instructions necessary to field convert unit from natural gas to propane.
- **Economizer for Downflow Applications (S1-2EE04710024, S1-2EE04710124)** - The modulating integrated economizer provides simultaneous operation between the mechanical cooling and economizer operation. The independent blade design ensures proper control and less than 1% leak rate. Includes hood and mesh bird screen filter integrated into the hood, dry bulb sensor, and barometric relief damper. Separate field accessories of single enthalpy and dual enthalpy are also available.
- **Economizer for Horizontal Applications (S1-2EE04710224, S1-2EE04710324)** - The modulating integrated economizer provides simultaneous operation between the mechanical cooling and economizer operation. The independent blade design ensures proper control and less than 1% leak rate. Includes hood and mesh bird screen filter integrated into the hood and dry bulb sensor. Separate field accessories of single enthalpy and dual enthalpy are also available.
- **Barometric Relief Hood (S1-1RD0501)** - Used in conjunction with a horizontal economizer, the barometric relief hood helps to equalize the building pressure that is caused by the fresh air that is introduced through the economizer fresh air hood.
- **Single/Dual Enthalpy Sensor (S1-HE-69630NS-2D)** - The sensor replaces the supply air temperature dry bulb sensor that is standard in the economizer kit. The sensor provides improved economizer operation by sensing the dry bulb temperature of indoor supply air plus the enthalpy content of the outdoor air.
- **Duct/Unit Mount CO2 Kit (S1-2AQ04700924)** - The sensor kit detects CO2 levels automatically and overrides the economizer when CO2 levels rise above the preset limits.
- **Wall Mount CO2 Kit (S1-2AQ04701024)** - The sensor kit detects CO2 levels automatically and overrides the economizer when CO2 levels rise above the preset limits.
- **Supply Air Temperature Sensor Kit (S1-TE-63616E-2D)** - The outdoor supply air temperature sensor kit is used with economizers.
- **Filter/Frame Kit (S1-1FF0602, S1-1FF0601)** - The kit contains the necessary hardware to field install return air filters into the base unit. The filter rack is suitable for either 1" or 2" filters.
- **Filter (S1-02647812000)** - Washable 1" filter. Two filters are required for A base units. Three filters are required for B base units.

- **Motorized Fresh Air Damper (S1-2MD04705224, S1-2MD04705124)** - This is designed for duct mounted side supply/return and unit mounted down supply/return applications. The damper is capable of providing 0% through 50% of outdoor air (field supplied). The damper closes on power loss and includes hood and screen assembly.
- **Rectangle to Round (Horizontal) Adapter (S1-1AK0110, S1-1AK0111)** - The kit includes one supply and one return air rectangle to round duct adapter. Adapters are preformed and designed to fit over current horizontal duct openings on the base unit. The transition is from rectangle to 12" round for the 1AK0110 kit and from rectangle to 14" round for the 1AK0111 kit.
- **Rectangle to Round (Downflow) Adapter (S1-1AK0108, S1-1AK0109)** - The kit includes one supply and one return air rectangle to round duct adapter. Adapters are preformed and designed to fit into current downflow duct openings on the roof curb. The transition is from rectangle to 16" round for the 1AK0108 kit and from rectangle to 18" round for the 1AK0109 kit.
- **Roof Curbs (S1-1RC0503, S1-1RC0501)** - NRCA-approved curbs provide proper fit to the base unit for rooftop installations. Curbs are designed to be assembled through hinge pins in each corner. The kit also provides seal strip to ensure an air tight seal. These are 8-inch high roof curbs.
- **Roof Curbs (S1-1RC0504, S1-1RC0502)** - NRCA-approved curbs provide proper fit to the base unit for rooftop installations. Curbs are designed to be assembled through hinge pins in each corner. The kit also provides seal strip to ensure an air tight seal. These are 14-inch high roof curbs.
- **Transition Curb Kits (S1-1TC01*)** - Adapter kits to allow field use of pre-existing installed roof curbs to match the PHG4 footprint to Affinity roof curbs, Carrier, Trane, or Goodman curb footprints. Curb adapters are optional for current generation Carrier replacements but are recommended for previous generation applications. Refer to the PHG4 price pages for more details.
- **Manual Outdoor Damper (S1-1FA0502, S1-1FA0501)** - The damper provides 0% through 50% outdoor air capability (field adjustable). The damper is designed for duct mounted side supply/return applications and includes hood and screen assembly.
- **Thermostat** - Compatible thermostat controls are available through accessory sourcing. For optimum performance, these outdoor units are fully compatible with the Coleman Hx™ Touch Screen Thermostat available through Source 1. For more information, see the thermostat section of the Product Equipment Catalog.
- **Wall Thermostat** - The units are designed to operate with standard, 24-volt electronic and electro-mechanical thermostats. All units can operate with single stage heat/single stage cool thermostats - with or without the economizer.
- **Low Ambient Kit (S1-2LA04701024)** - The kit provides necessary hardware to convert the unit to operate in cooling cycle down to 0°F. Standard unit operation is 45°F.
- **Base Rail Hole Cover Kit (S1-1HC0101)** - The kit provides necessary hardware to close off openings in base rails to block off openings, that is, to prevent animal entrance.

* For additional kit numbers, refer to the price pages.

GUIDE SPECIFICATIONS

GENERAL

Units are manufactured by Ducted Systems in an ISO 9001 certified facility. Package units give you the flexibility and choice you need in today's market. These packaged cooling/heating air conditioners are designed for outdoor installation. Only utility and duct connections are required at the point of installation. The single-stage gas-fired heaters have stainless steel tubular heat exchangers and spark to burner ignition. They are available in natural gas with field conversion to propane.

DESCRIPTION

Units are factory-assembled, single packaged, Heat Pumps with Electric Cooling/Gas Heating units, designed for outdoor installation. They have built-in, equal size, field convertible duct connections for supply/return or horizontal supply/return. The units are factory wired, piped, charged with R-410A refrigerant, and factory tested prior to shipment. All unit wiring is both numbered and color coded. All models are rated in accordance with DOE and AHRI test procedures for both heating and cooling operation. Units are CSA listed and classified to ANSI Z21.47/CAN/ CSA 2.3 standards and UL 1995/CAN/CSA No. Z236-M90 standards.

- **Operating Efficiency** - All Heat Pump models are rated at 14.0 SEER, 11.0 EER, and 8.0 HSPF for heat pump cooling and heating operation. All models are rated at 81.0% AFUE for gas heating operation.
- **Low Operating Sound Level** - The upward air flow carries the normal operating noise up and away from the living area. The rigid top panel effectively isolates noise. The isolator mounted compressor and the rippled fins of the outdoor coil muffle the normal fan motor and compressor operating sounds. The unique formed base pan also aids in sound attenuation with its structural design. Sound ratings as tested under AHRI test procedures are less than 77 dbA for all models.

UNIT CABINET

The unit cabinet is a single-piece design, with drip edges and no-seam corners to provide optimum water integrity. The unit has a rigidly mounted outdoor coil guard to provide protection from objects and personnel after installation. The indoor blower section is insulated with foil-faced or foam insulation, fastened to prevent insulation from entering the air stream. Cabinet panels are separate and easily removable for servicing and maintenance. The unit is built on a formed design base pan, with embossments at critical points to add strength and rigidity and aid in minimizing sound. Full perimeter base rails are provided to ensure reliable transit of equipment and facilitate overhead rigging, allowing truck access and proper sealing on roof curb applications. Base rails are easily removable, when required to lower unit height. Filters are field installed, field provided, and accessible through a removable access door, sealed airtight. The unit's vertical discharge and return duct configuration is designed to fit between standard 24" O.C. beams without modification to the building structure, duct work, and base unit. The condensate pan is internally sloped and conforms to ASHRAE 62-89 self-draining standards, with 3/4" NPT female ridged mount connection.

- **Durable Finish** - The cabinet is made of G90 galvanized steel with a powder paint coating for appearance and protection. The pre-treated galvanized steel provides a better paint-to-steel bond, which resists corrosion and rust creep. The powder paint finish provides superior corrosion resistance (1000 hour salt spray tested).
- **On-Site Flexibility** - All model sizes use a compact design cabinet in one of two footprints. This provides installer flexibility for placing the proper capacity unit on curbs or pads with the smallest footprint after the internal load has been determined. Field convertible duct connections from side shot to down shot allow the installer to have greater flexibility with less inventory.
- **Attractive Appearance** - A single-piece top cover containing a top-discharge outdoor fan arrangement is used. This requires less square footage on installation and provides a wider variety of installations. The one-piece design adds greater water integrity. Rounded corners with water drip edges add to the attractive appearance and prevent water penetration.
- **Convertible Airflow Design** - The bottom duct openings are covered when they leave the factory, ready to be used for a side supply/side return application. If a bottom supply/bottom return application is required, remove the two panels from the bottom of the unit and place them in the side supply/side return duct openings. No panel cutting is required and no accessory panel is necessary. The convertible airflow design allows maximum field flexibility and minimum inventory.
- **Utility Connections Made Easy** - Electric utility access is provided through the bottom or the side of the unit. Utility connections must be made quickly and with a minimum amount of field labor. A field supplied and field installed electrical disconnect switch must be installed.
- **Easy Service Access** - Individual access panels are provided for access to all major components, such as compressors, indoor coils, the blower, the controls/gas heating section, and filters, making servicing easy. Removing these panels allows easy removal of the components, for example, the blower assembly, for maintenance and troubleshooting.
- **Top Discharge** - The top-discharge outdoor fan does not disrupt neighboring areas or dry out vegetation surrounding the unit. The warm air from the top mounted fan is blown up and away from the structure and any landscaping.
- **Outdoor Coil Grille** - All models utilize a stamped slotted design that provides superior impact protection against small objects during transit and after installation.

Indoor Blower Assembly - The fan is a direct drive design. The blower wheel is of the double-inlet type with forward-curved blades, dynamically balanced to operate smoothly throughout the entire range of operation. The airflow design is constant air volume. Bearings are sealed and permanently lubricated for longer life and no maintenance. The fan assembly is a slide-out design for easy removal and cleaning. Indoor blower motors are equipped with a standard high-efficiency brushless DC motor (constant torque), also known as a standard ECM motor.

Outdoor Fan Assembly - The outdoor fan is of the direct-driven propeller type, discharges air vertically, has aluminum blades riveted to a corrosion resistant steel spider bracket, and is statically balanced for smooth operation. The outdoor fan motor is totally enclosed with permanently lubricated bearings and internally protected against overload conditions.

REFRIGERANT COMPONENTS

- **Protected Compressor** - The compressor is a fully hermetic type, direct drive compressor, which is internally protected against high pressure and temperature. This is done by the simultaneous operation of a high pressure internal relief valve and a temperature sensor, which protects the compressor if undesirable operating conditions occur. The hermetic motor is suction gas cooled and has a voltage range of +/- 10% of the unit nameplate voltage. Compressors have internal isolation and sound muffling to minimize vibration and noise, and are externally isolated on a dedicated, independent mounting.
- **Indoor Coils** - Indoor coils have a direct expansion, draw through design, and have aluminum plate fins mechanically bonded to seamless internally-enhanced tin-coated copper tubes with all joints brazed.
- **Condensate Pan** - A corrosion-resistant, long-lasting, water-tight pan is positioned below the indoor coil to collect and drain all condensate, preventing build-up of stagnant condensate. The condensate pan conforms to ASHRAE 62-89 standards (Ventilation for Acceptable Indoor Air Quality).
- **Condensate Drain** - The 3/4 inch NPT female connection is rigidly mounted to ensure proper fit and leak tight seal.
- **Outdoor Coils** - Outdoor coils have aluminum plate fins mechanically bonded to seamless internally-enhanced copper tubes with all joints brazed, and have a draw through design.

Refrigerant Circuit and Refrigerant Safety Components include the following:

- Thermal expansion devices (TXVs) that are factory mounted and provided
- Filter/strainer to eliminate any foreign matter
- Reversing valves to control refrigerant flow

GAS HEATING SECTION

The heat exchanger and exhaust system are constructed of corrosion-resistant materials and designed with induced draft combustion with post purge logic and a redundant main gas valve. The heat exchanger is of the tubular type, constructed of stainless steel for corrosion resistance and allowing a minimum mixed air entering temperature of 40°F. Burners are of the in-shot type, constructed of aluminumized steel. All gas piping enters the unit cabinet at a single location through either the side or bottom, without any field modifications. An integrated control board provides timed control of indoor fan functionality and burner ignition. The heating section is provided with the following minimum protection:

- a. Primary high-temperature limit switch
- b. Induced draft pressure switch
- c. Flame roll out switch(s) (manual reset)
- d. Flame proving controls

All gas heat models meet the California requirement for emissions of less than 40 ng/J (California requirement on single phase models only).

CONTROLS

- **Simple Control Circuit** - Field thermostat wiring connects to color coded leads using twist on wire connections. Cooling controls use contactor and relays for simple application and troubleshooting. Mate-n-lock plug connectors are used. Heating controls consist of a direct spark ignition control and demand defrost heat pump control. The electrical control box is not located in the compressor compartment. The controls are mounted to allow the separate access panel to be removed for troubleshooting and maintenance without affecting the normal system operating pressures. All wiring internal to the unit is color/number coded.
- **Pressure Switches** - A high pressure switch is standard in all units. When abnormal conditions are sensed through the pressure switch, the unit locks out, preventing any further operation until it is reset or the problem is corrected.
- **Factory Testing** - Installation time and costs are reduced by easy power and control wiring connections. All units are completely wired, charged with R-410A, and tested prior to shipment. Test stations using a state-of-the-art computerized process system are used to ensure product quality. Refrigerant charge and component part numbers are verified via computer bar code scans during assembly. Vital run test statistics such as system pressure, motor currents, air velocity and temperature, unit vibration, and gas system safeties are monitored and recorded by the system to ensure unit performance. This data can be provided by serial number tracking if requested.

Spark to Burner Ignition - No pilot assembly is required, providing more consistent ignition in gas heating mode. This ignition is highly reliable and durable and eliminates nuisance lockouts.

PHYSICAL DATA

5127525-CTG-F-0819

MODELS	PHG4A24		PHG4A30		PHG4B36		PHG4B42		PHG4B48			PHG4B60		
NOMINAL TONNAGE	2.0		2.5		3.0		3.5		4.0			5.0		
COMPONENT														
AHRI Cooling Performance														
Gross Capacity @ AHRI A point (MBH)	24.1		30.1		36.4		42.3		48.2			59.9		
AHRI net capacity (MBH)	23.8		29.6		35.8		41.5		47.0			58.0		
EER	11.0		11.0		11.0		11.0		11.0			11.0		
SEER	14.0		14.0		14.0		14.0		14.0			14.0		
Nominal CFM	800		1000		1200		1400		1600			2000		
System power (kW)	1.8		2.2		2.8		3.2		3.7			4.7		
Refrigerant type	R410A		R410A		R410A		R410A		R410A			R410A		
Refrigerant charge (lb-oz)	8-5		9-8		11-13		13-0		12-13			15-8		
AHRI Heat Pump Heating Performance														
47 F Capacity Rating (MBH)	22.0		27.2		33.8		38.0		45.5			56.0		
System Power (kW/COP)	3.7		3.6		3.6		3.6		3.7			3.6		
17 F Capacity Rating (MBH)	12.0		14.8		19.6		22.0		25.4			31.7		
HSPF (BTU/Watts-hr.)	8.0		8.0		8.0		8.0		8.0			8.0		
AHRI Gas Heat Performance														
Heating model	50	75	50	75	65	100	65	100	65	100	125	65	100	125
Heat input (KBTU)	50.0	75.0	50.0	75.0	65.0	100.0	65.0	100.0	65.0	100.0	125.0	65.0	100.0	125.0
Heat output (KBTU)	40	60	40	60	52	80	52	80	52	80	100	52	80	100
AFUE %	81.0	81.0	81.0	81.0	81.0	81.0	81.0	81.0	81.0	81.0	81.0	81.0	81.0	81.0
No. burners	2	3	2	3	2	3	2	3	2	3	4	2	3	4
No. stages	1	1	1	1	1	1	1	1	1	1	1	1	1	1
Temperature Rise Range (°F)	40-70		40-70		40-70		40-70		40-70			40-70		
Max. Static Pressure WC	0.5		0.5		0.5		0.5		0.5			0.5		
Max. Outlet Air Temp. (°F)	180		180		180		180		180			180		
Gas piping connection (inch)	1/2		1/2		1/2		1/2		1/2			1/2		
Dimensions (inches)														
Length	51-1/4		51-1/4		51-1/4		51-1/4		51-1/4			51-1/4		
Width	35-3/4		35-3/4		45-3/4		45-3/4		45-3/4			45-3/4		
Height	47		49		49		49		53			55		
Operating weight (lb)	394	404	449	453	498	505	532	534	551	559	564	577	581	588
Compressors														
Type	Scroll		Scroll		Scroll		Scroll		Scroll			Scroll		
Outdoor Coil Data														
Face area (Sq Ft)	15.1		16.9		19.4		19.4		23.8			26.3		
Rows	2		2		2		2		2			2		
Fins per inch	22		22		22		22		22			22		
Tube diameter	3/8		3/8		3/8		3/8		3/8			3/8		
Circuitry Type	Interlaced		Interlaced		Interlaced		Interlaced		Interlaced			Interlaced		
Refrigerant Control	TXV		TXV		TXV		TXV		TXV			TXV		
Indoor Coil Data														
Face area (Sq Ft)	4.6		4.6		TXV		6.3		6.3			6.3		
Rows	3		3		3		3		3			4		
Fins per inch	16		16		16		16		16			16		
Tube diameter	3/8		3/8		3/8		3/8		3/8			3/8		
Circuitry Type	Interlaced		Interlaced		Interlaced		Interlaced		Interlaced			Interlaced		
Refrigerant control	TXV		TXV		TXV		TXV		TXV			TXV		
Outdoor Fan Data														
Fan diameter (Inches)	24		24		26		26		26			26		
Type	Prop		Prop		Prop		Prop		Prop			Prop		
Drive type	Direct		Direct		Direct		Direct		Direct			Direct		
No. speeds	1		1		1		1		1			1		
Motor HP each	1/10		1/8		1/3		1/3		1/3			1/3		
RPM	850		850		850		850		850			850		
Nominal total CFM	2400		2400		3200		3200		4200			4200		
Direct Drive Indoor Fan Data														
Fan Size (Inches)	11 x 8		11 x 8		11 x 10		11 x 10		11 x 10			11 x 10		
Type	Centrifugal		Centrifugal		Centrifugal		Centrifugal		Centrifugal			Centrifugal		
Motor HP each	1/3	1/2	1/3	1/2	1/2	3/4	3/4	3/4	3/4	3/4	3/4	3/4	3/4	1
RPM	1200 Max		1200 Max		1200 Max		1200 Max		1200 Max			1200 Max		
Frame size	48		48		48		48		48			48		
Filters														
Filter Size	A		A		B		B		B			B		
Quantity - Size	Field-supplied external filters must be sized so as not to exceed 300 FPM air velocity through disposable filters. For internal filter use, a filter rack kit is available. Consult the instructions supplied with that kit for replacement filter sizes. Filter sizes: A=20x20, B=20x30.													

COOLING PERFORMANCE DATA - 2 TON																
PACKAGED UNIT MODEL NO.		PHG4A24														
CONDENSER ENTERING AIR TEMPERATURE	ID CFM	600					800					1000				
		80	80	75	80	80	80	80	75	80	80	80	80	75	80	80
		57	62	62	67	72	57	62	62	67	72	57	62	62	67	72
55 / 45	T.C.	24.9	28.3	28.3	31.8	34.8	28.3	30.6	31.0	34.5	36.9	31.6	32.8	33.8	37.1	39.0
	S.C.	23.5	19.9	18.0	17.8	15.0	26.5	23.4	20.7	20.2	16.1	29.5	26.8	23.4	22.6	17.1
	K.W.	0.98	0.98	0.98	0.98	0.97	1.03	1.03	1.03	1.03	1.02	1.08	1.08	1.08	1.08	1.07
65 / 55	T.C.	24.2	26.9	26.9	30.0	33.1	27.2	29.0	29.2	32.3	35.2	30.2	31.2	31.4	34.6	37.3
	S.C.	22.5	19.2	17.0	16.9	14.1	25.3	22.6	19.6	19.4	15.4	28.1	26.0	22.2	22.0	16.8
	K.W.	1.10	1.09	1.08	1.09	1.08	1.15	1.15	1.14	1.14	1.14	1.20	1.20	1.19	1.19	1.19
75 / 63	T.C.	23.4	25.4	25.5	28.2	31.5	26.1	27.5	27.3	30.1	33.6	28.8	29.5	29.1	32.0	35.6
	S.C.	21.5	18.5	16.1	16.0	13.2	24.2	21.9	18.5	18.7	14.8	26.8	25.2	21.0	21.4	16.4
	K.W.	1.21	1.21	1.19	1.20	1.20	1.27	1.26	1.25	1.25	1.25	1.32	1.31	1.31	1.31	1.31
85 / 69	T.C.	22.3	23.5	23.7	26.4	29.5	24.7	25.3	25.2	28.2	31.4	27.1	27.0	26.7	29.9	33.3
	S.C.	20.4	17.7	15.2	15.1	12.4	22.8	20.7	17.4	17.6	14.0	25.1	23.7	19.6	20.2	15.5
	K.W.	1.36	1.35	1.34	1.35	1.35	1.41	1.41	1.40	1.40	1.40	1.47	1.46	1.45	1.45	1.45
95 / 75	T.C.	21.2	21.7	21.9	24.6	27.5	23.4	23.1	23.1	26.2	29.2	25.5	24.5	24.4	27.8	30.9
	S.C.	19.4	16.8	14.4	14.3	11.6	21.4	19.5	16.3	16.6	13.1	23.4	22.1	18.2	18.9	14.7
	K.W.	1.51	1.50	1.49	1.50	1.50	1.56	1.55	1.54	1.55	1.55	1.61	1.60	1.59	1.60	1.60
105 / 83	T.C.	19.3	19.5	19.7	22.5	24.7	20.9	20.8	20.6	23.5	26.2	22.5	22.1	21.6	24.4	27.7
	S.C.	17.8	15.9	13.2	13.4	10.5	19.4	18.2	15.2	15.5	11.9	21.0	20.4	17.1	17.6	13.3
	K.W.	1.71	1.71	1.70	1.71	1.71	1.76	1.76	1.75	1.76	1.76	1.82	1.81	1.81	1.81	1.81
115 / 89	T.C.	17.4	17.4	17.5	20.5	22.1	18.6	18.6	18.2	20.8	23.3	19.7	19.8	18.9	21.2	24.6
	S.C.	16.2	15.1	12.2	12.5	9.5	17.5	16.9	14.1	14.4	10.7	18.7	18.8	16.1	16.2	11.9
	K.W.	1.91	1.91	1.90	1.91	1.91	1.96	1.96	1.96	1.96	1.96	2.01	2.02	2.01	2.01	2.01
125 / 95	T.C.	15.6	15.3	15.4	18.4	19.4	16.2	16.4	15.8	18.2	20.4	16.8	17.5	16.2	18.0	21.5
	S.C.	14.7	14.3	11.1	11.6	8.5	15.5	15.7	13.0	13.2	9.5	16.4	17.1	15.0	14.9	10.5
	K.W.	2.11	2.12	2.11	2.11	2.11	2.16	2.17	2.16	2.16	2.16	2.21	2.22	2.22	2.21	2.21

COOLING PERFORMANCE DATA - 2.5 TON																
PACKAGED UNIT MODEL NO.		PHG4A30														
CONDENSER ENTERING AIR TEMPERATURE	ID CFM	800					1000					1200				
		80	80	75	80	80	80	80	75	80	80	80	80	75	80	80
		57	62	62	67	72	57	62	62	67	72	57	62	62	67	72
55 / 45	T.C.	30.3	33.5	33.8	37.2	42.9	32.8	35.3	35.8	39.4	45.4	35.3	37.2	37.8	41.6	47.9
	S.C.	29.3	26.1	22.5	22.6	18.8	32.2	28.9	24.8	24.4	20.1	35.1	31.7	27.1	26.2	21.5
	K.W.	1.50	1.50	1.50	1.50	1.51	1.50	1.50	1.50	1.50	1.51	1.50	1.50	1.51	1.51	1.51
65 / 55	T.C.	29.0	31.7	31.8	35.6	39.8	31.2	33.5	33.7	37.6	42.7	33.4	35.4	35.5	39.6	45.5
	S.C.	28.3	25.3	21.5	21.7	17.4	30.7	28.3	23.8	23.9	19.1	33.2	31.4	26.1	26.1	20.9
	K.W.	1.66	1.66	1.66	1.67	1.67	1.66	1.66	1.66	1.67	1.67	1.66	1.66	1.67	1.67	1.68
75 / 63	T.C.	27.6	29.9	29.9	34.0	36.8	29.6	31.7	31.5	35.8	40.0	31.5	33.6	33.2	37.6	43.2
	S.C.	27.3	24.5	20.5	20.7	16.0	29.3	27.8	22.8	23.4	18.1	31.3	31.1	25.2	26.1	20.3
	K.W.	1.82	1.83	1.82	1.84	1.84	1.82	1.83	1.82	1.84	1.84	1.83	1.83	1.83	1.84	1.85
85 / 69	T.C.	25.6	28.1	27.5	31.6	35.0	27.4	29.5	28.9	33.1	37.4	29.1	30.9	30.3	34.7	39.8
	S.C.	25.4	23.3	19.5	19.8	15.3	27.1	26.4	21.8	22.3	17.2	28.9	29.5	24.2	24.8	19.1
	K.W.	2.02	2.03	2.02	2.04	2.04	2.03	2.03	2.03	2.04	2.05	2.03	2.03	2.03	2.04	2.05
95 / 75	T.C.	23.6	26.4	25.2	29.2	33.2	25.2	27.3	26.3	30.5	34.8	26.7	28.1	27.4	31.8	36.5
	S.C.	23.4	22.1	18.6	18.9	14.7	25.0	25.0	20.8	21.2	16.3	26.5	27.9	23.1	23.5	17.9
	K.W.	2.23	2.23	2.23	2.24	2.25	2.23	2.23	2.23	2.24	2.25	2.24	2.24	2.23	2.24	2.25
105 / 83	T.C.	21.1	22.9	22.1	26.0	29.6	22.6	23.8	22.8	27.1	30.8	24.0	24.6	23.6	28.2	32.1
	S.C.	21.0	20.1	16.7	17.3	13.4	22.4	22.2	18.7	19.4	14.7	23.8	24.4	20.7	21.5	16.0
	K.W.	2.52	2.51	2.51	2.53	2.54	2.52	2.52	2.51	2.53	2.54	2.53	2.53	2.51	2.53	2.54
115 / 89	T.C.	18.7	19.6	19.0	22.8	26.1	20.0	20.4	19.4	23.7	27.0	21.3	21.1	19.9	24.6	27.9
	S.C.	18.6	18.1	14.9	15.7	12.2	19.9	19.5	16.6	17.6	13.2	21.2	21.0	18.4	19.6	14.2
	K.W.	2.80	2.79	2.79	2.80	2.81	2.80	2.80	2.79	2.80	2.81	2.81	2.80	2.79	2.80	2.81
125 / 95	T.C.	16.3	16.2	16.0	19.7	22.6	17.5	16.9	16.1	20.4	23.1	18.7	17.7	16.1	21.1	23.6
	S.C.	16.2	16.1	13.1	14.2	10.9	17.4	16.8	14.6	15.9	11.6	18.6	17.5	16.0	17.6	12.3
	K.W.	3.08	3.07	3.07	3.08	3.09	3.08	3.07	3.07	3.08	3.09	3.09	3.08	3.07	3.08	3.09

COOLING PERFORMANCE DATA - 3 TON																
PACKAGED UNIT MODEL NO.		PHG4B36														
CONDENSER ENTERING AIR TEMPERATURE	ID CFM	1000					1200					1400				
	IDDB	80	80	75	80	80	80	80	75	80	80	80	80	80	80	80
	IDWB	57	62	62	67	72	57	62	62	67	72	57	62	62	67	72
55 / 45	T.C.	40.4	43.9	43.9	47.3	46.7	43.3	45.1	45.4	47.7	47.3	46.2	46.2	46.8	48.2	47.8
	S.C.	40.0	34.9	30.5	29.3	22.4	42.9	40.4	32.6	31.2	23.3	45.9	45.9	34.6	33.0	24.3
	K.W.	1.97	1.98	1.98	1.98	1.98	2.06	2.07	2.07	2.07	2.07	2.16	2.16	2.16	2.16	2.16
65 / 55	T.C.	37.9	41.2	41.4	45.1	47.2	40.4	42.4	42.6	46.0	47.8	42.8	43.7	43.8	46.9	48.5
	S.C.	37.9	33.7	29.1	28.4	22.3	40.4	38.1	32.7	30.6	23.5	42.8	42.5	36.4	32.7	24.7
	K.W.	2.17	2.18	2.17	2.18	2.18	2.26	2.27	2.27	2.28	2.28	2.36	2.36	2.37	2.37	2.37
75 / 63	T.C.	35.4	38.5	38.9	42.8	47.6	37.5	39.8	39.8	44.2	48.4	39.5	41.1	40.7	45.7	49.1
	S.C.	35.4	32.5	27.6	27.4	22.1	37.5	35.7	32.9	29.9	23.7	39.5	39.0	38.2	32.5	25.2
	K.W.	2.36	2.39	2.36	2.39	2.39	2.46	2.48	2.47	2.48	2.48	2.56	2.57	2.58	2.58	2.58
85 / 69	T.C.	33.1	35.4	35.8	39.7	44.4	34.7	36.5	36.6	40.7	45.2	36.4	37.5	37.4	41.6	46.0
	S.C.	33.1	30.8	26.1	25.9	20.7	34.7	34.0	30.0	28.2	22.3	36.4	37.1	33.9	30.6	23.9
	K.W.	2.63	2.65	2.63	2.65	2.65	2.72	2.74	2.73	2.74	2.74	2.81	2.83	2.83	2.83	2.83
95 / 75	T.C.	30.7	32.2	32.7	36.6	41.1	32.0	33.1	33.4	37.1	42.1	33.4	33.9	34.1	37.6	43.0
	S.C.	30.7	29.1	24.6	24.3	19.4	32.0	32.2	27.1	26.5	21.0	33.4	33.9	29.6	28.7	22.6
	K.W.	2.89	2.91	2.89	2.91	2.91	2.98	3.00	2.98	3.00	3.00	3.07	3.09	3.08	3.09	3.09
105 / 83	T.C.	27.8	28.4	28.7	32.2	36.6	28.8	29.1	29.0	32.3	37.1	29.8	29.7	29.3	32.5	37.5
	S.C.	27.8	26.7	22.7	22.5	17.6	28.8	28.8	24.6	24.6	19.0	29.8	29.7	26.5	26.8	20.5
	K.W.	3.26	3.28	3.27	3.28	3.28	3.35	3.37	3.36	3.37	3.37	3.44	3.46	3.45	3.46	3.46
115 / 89	T.C.	25.1	24.8	24.9	27.9	32.3	25.7	25.2	24.7	27.7	32.2	26.4	25.6	24.5	27.4	32.1
	S.C.	25.1	24.3	20.9	20.7	15.8	25.7	25.2	22.2	22.8	17.1	26.4	25.6	23.6	24.9	18.5
	K.W.	3.63	3.64	3.63	3.63	3.64	3.72	3.73	3.73	3.72	3.73	3.81	3.82	3.82	3.81	3.82
125 / 95	T.C.	22.3	21.1	21.1	23.7	27.9	22.6	21.3	20.5	23.0	27.3	22.9	21.5	19.8	22.4	26.8
	S.C.	22.3	21.1	19.0	18.9	14.1	22.6	21.3	19.8	21.0	15.3	22.9	21.5	19.8	22.4	16.4
	K.W.	3.99	4.00	4.00	3.99	4.00	4.08	4.09	4.09	4.08	4.09	4.17	4.18	4.18	4.17	4.18

COOLING PERFORMANCE DATA - 3.5 TON																	
PACKAGED UNIT MODEL NO.		PHG4B42															
CONDENSER ENTERING AIR TEMPERATURE	ID CFM	1200					1400					1600					
	IDDB	80	80	75	80	80	80	80	75	80	80	80	80	80	75	80	80
	IDWB	57	62	62	67	72	57	62	62	67	72	57	62	62	67	72	
55 / 45	T.C.	45.8	50.4	50.3	53.3	55.3	47.6	51.3	51.2	54.1	56.6	49.5	52.3	52.1	54.9	57.9	
	S.C.	45.8	40.4	34.5	33.0	25.6	47.6	42.5	36.2	34.4	26.5	49.5	44.6	37.9	35.9	27.4	
	K.W.	2.26	2.27	2.28	2.28	2.28	2.37	2.37	2.37	2.38	2.38	2.47	2.47	2.46	2.47	2.47	
65 / 55	T.C.	43.1	47.4	47.8	52.0	55.3	44.8	48.6	48.7	52.9	56.2	46.4	49.8	49.7	53.9	57.0	
	S.C.	43.1	39.3	33.5	32.9	25.6	44.8	42.1	35.8	34.9	26.7	46.4	45.0	38.0	36.9	27.8	
	K.W.	2.49	2.50	2.51	2.51	2.52	2.60	2.60	2.60	2.61	2.62	2.70	2.69	2.69	2.71	2.71	
75 / 63	T.C.	40.3	44.4	45.3	50.7	55.4	41.9	45.8	46.3	51.8	55.8	43.4	47.3	47.3	52.9	56.2	
	S.C.	40.3	38.2	32.6	32.7	25.5	41.9	41.8	35.3	35.3	26.8	43.4	45.4	38.1	37.9	28.2	
	K.W.	2.72	2.73	2.73	2.74	2.76	2.82	2.82	2.82	2.85	2.86	2.93	2.92	2.92	2.95	2.95	
85 / 69	T.C.	37.1	40.6	41.2	46.5	51.5	38.5	41.6	41.9	47.2	52.2	39.9	42.7	42.6	47.9	52.9	
	S.C.	37.1	36.1	30.4	30.7	24.0	38.5	39.1	33.0	33.0	25.4	39.9	42.0	35.5	35.4	26.7	
	K.W.	3.02	3.02	3.03	3.04	3.05	3.12	3.12	3.12	3.14	3.15	3.22	3.22	3.22	3.24	3.25	
95 / 75	T.C.	34.0	36.8	37.2	42.4	47.6	35.2	37.5	37.6	42.7	48.6	36.5	38.1	38.0	43.0	49.7	
	S.C.	34.0	34.1	28.3	28.7	22.5	35.2	36.4	30.6	30.8	23.9	36.5	38.1	32.9	32.9	25.3	
	K.W.	3.31	3.31	3.33	3.35	3.35	3.41	3.41	3.42	3.44	3.45	3.51	3.51	3.51	3.53	3.55	
105 / 83	T.C.	30.8	32.1	32.0	37.2	42.4	32.0	33.1	32.1	37.1	42.8	33.3	34.1	32.2	36.9	43.2	
	S.C.	30.8	30.4	26.1	26.6	20.4	32.0	32.5	27.5	28.5	21.7	33.3	34.1	29.0	30.4	23.1	
	K.W.	3.73	3.73	3.74	3.76	3.76	3.83	3.83	3.83	3.85	3.86	3.93	3.93	3.92	3.95	3.96	
115 / 89	T.C.	27.7	27.5	27.0	32.2	37.4	28.9	28.8	26.8	31.6	37.1	30.1	30.1	26.6	31.0	36.9	
	S.C.	27.7	26.9	24.0	24.7	18.4	28.9	28.7	24.5	26.3	19.7	30.1	30.1	25.1	28.0	20.9	
	K.W.	4.13	4.14	4.14	4.16	4.17	4.23	4.24	4.23	4.25	4.26	4.33	4.34	4.32	4.35	4.36	
125 / 95	T.C.	24.6	23.0	21.9	27.1	32.3	25.8	24.6	21.5	26.1	31.5	27.0	26.2	21.0	25.1	30.6	
	S.C.	24.6	23.0	21.8	22.7	16.5	25.8	24.6	21.5	24.1	17.6	27.0	26.2	21.0	25.1	18.7	
	K.W.	4.53	4.54	4.53	4.56	4.58	4.63	4.64	4.63	4.65	4.66	4.73	4.74	4.72	4.75	4.75	

COOLING PERFORMANCE DATA - 4 TON																	
PACKAGED UNIT MODEL NO.		PHG4B48															
CONDENSER ENTERING AIR TEMPERATURE	ID CFM	1400					1600					1800					
		IDDB	80	80	75	80	80	80	80	75	80	80	80	80	75	80	80
		IDWB	57	62	62	67	72	57	62	62	67	72	57	62	62	67	72
55 / 45	T.C.	48.0	51.3	52.4	56.5	64.4	50.6	53.7	54.5	60.0	66.5	53.1	56.1	56.7	63.6	68.5	
	S.C.	48.0	44.1	37.9	40.8	33.6	50.6	47.6	40.5	42.6	35.0	53.1	51.0	43.2	44.3	36.4	
	K.W.	2.63	2.64	2.63	2.66	2.70	2.77	2.77	2.77	2.80	2.82	2.91	2.90	2.90	2.93	2.95	
65 / 55	T.C.	45.0	48.1	48.9	54.0	60.8	47.3	50.1	50.9	56.8	62.7	49.7	52.0	53.0	59.5	64.7	
	S.C.	45.0	41.5	35.6	37.5	31.0	47.3	44.8	38.1	39.6	32.6	49.7	48.0	40.6	41.7	34.2	
	K.W.	2.90	2.92	2.90	2.94	2.96	3.03	3.05	3.03	3.07	3.09	3.17	3.17	3.16	3.21	3.22	
75 / 63	T.C.	42.0	44.9	45.4	51.6	57.2	44.1	46.4	47.3	53.5	59.0	46.2	47.9	49.3	55.4	60.8	
	S.C.	42.0	38.9	33.3	34.2	28.4	44.1	41.9	35.7	36.6	30.1	46.2	45.0	38.0	39.0	31.9	
	K.W.	3.16	3.21	3.16	3.22	3.22	3.30	3.32	3.30	3.35	3.35	3.43	3.44	3.43	3.48	3.49	
85 / 69	T.C.	39.3	41.4	41.9	48.2	53.7	41.1	42.8	43.5	49.9	55.3	42.9	44.1	45.2	51.7	56.8	
	S.C.	39.3	36.4	31.0	32.0	26.1	41.1	39.4	33.2	34.3	27.7	42.9	42.4	35.5	36.6	29.4	
	K.W.	3.53	3.56	3.52	3.57	3.58	3.66	3.68	3.65	3.70	3.72	3.79	3.81	3.79	3.84	3.85	
95 / 75	T.C.	36.6	37.9	38.5	44.8	50.1	38.1	39.1	39.7	46.4	51.5	39.7	40.4	41.0	48.0	52.9	
	S.C.	36.6	34.0	28.6	29.8	23.8	38.1	36.9	30.8	32.0	25.3	39.7	39.8	33.0	34.2	26.9	
	K.W.	3.91	3.91	3.87	3.93	3.95	4.03	4.04	4.01	4.06	4.08	4.16	4.17	4.15	4.19	4.20	
105 / 83	T.C.	33.2	34.2	34.7	41.0	46.0	34.4	35.4	35.9	42.2	47.3	35.7	36.5	37.0	43.4	48.6	
	S.C.	33.2	32.3	26.9	27.7	21.9	34.4	34.8	28.9	29.7	23.4	35.7	36.5	31.0	31.7	24.9	
	K.W.	4.40	4.40	4.38	4.43	4.44	4.53	4.53	4.51	4.56	4.57	4.66	4.66	4.64	4.69	4.70	
115 / 89	T.C.	29.9	30.7	31.1	37.3	42.1	30.8	31.7	32.1	38.1	43.3	31.8	32.8	33.1	38.9	44.4	
	S.C.	29.9	30.6	25.2	25.6	20.1	30.8	31.7	27.1	27.5	21.5	31.8	32.8	29.0	29.4	22.9	
	K.W.	4.89	4.89	4.87	4.91	4.92	5.02	5.01	5.00	5.04	5.05	5.15	5.14	5.12	5.17	5.18	
125 / 95	T.C.	26.5	27.1	27.5	33.6	38.2	27.2	28.1	28.3	34.0	39.2	27.9	29.0	29.1	34.4	40.3	
	S.C.	26.5	27.1	23.5	23.6	18.3	27.2	28.1	25.2	25.3	19.7	27.9	29.0	27.0	27.1	21.0	
	K.W.	5.37	5.37	5.36	5.39	5.40	5.50	5.49	5.48	5.52	5.53	5.64	5.62	5.60	5.65	5.66	

COOLING PERFORMANCE DATA - 5 TON																
PACKAGED UNIT MODEL NO.		PHG4B60														
CONDENSER ENTERING AIR TEMPERATURE	ID CFM	1600					1400					1200				
		IDDB	80	80	75	80	80	80	75	80	80	80	80	75	80	80
		IDWB	57	62	62	67	72	57	62	62	67	72	57	62	62	67
55 / 45	T.C.	61.5	74.6	68.4	68.6	81.4	65.3	74.6	70.4	70.6	80.6	69.1	74.7	72.3	72.6	79.7
	S.C.	61.5	46.4	47.0	55.3	37.3	65.3	49.2	50.6	60.0	38.1	69.1	52.1	54.2	64.6	38.9
	K.W.	3.37	3.44	3.40	3.41	3.45	3.54	3.59	3.56	3.57	3.61	3.72	3.74	3.72	3.73	3.76
65 / 55	T.C.	58.9	66.6	64.2	67.4	77.8	62.3	64.4	65.8	69.2	78.2	65.6	62.1	67.4	71.1	78.5
	S.C.	58.9	48.4	45.0	49.0	36.9	62.3	48.6	48.5	53.0	37.8	65.6	48.7	52.0	57.1	38.8
	K.W.	3.69	3.75	3.74	3.77	3.82	3.87	4.06	3.90	3.93	3.98	4.05	4.37	4.06	4.10	4.14
75 / 63	T.C.	56.3	58.7	60.0	66.2	74.3	59.2	54.1	61.2	67.8	75.8	62.1	49.5	62.5	69.5	77.3
	S.C.	56.3	50.4	42.9	42.6	36.5	59.2	47.9	46.4	46.1	37.6	62.1	45.4	49.8	49.5	38.7
	K.W.	4.01	4.06	4.09	4.14	4.18	4.20	4.53	4.25	4.30	4.35	4.39	5.01	4.41	4.47	4.52
85 / 69	T.C.	52.5	54.1	55.0	61.5	69.1	55.1	52.4	56.2	62.7	70.5	57.8	50.6	57.4	63.9	72.0
	S.C.	52.5	47.9	40.8	40.5	33.4	55.1	48.3	44.1	43.8	34.8	57.8	48.6	47.3	47.1	36.2
	K.W.	4.49	4.53	4.54	4.60	4.64	4.67	4.85	4.70	4.76	4.81	4.85	5.17	4.87	4.93	4.97
95 / 75	T.C.	48.6	49.5	50.0	56.7	63.8	51.1	50.6	51.2	57.5	65.3	53.5	51.7	52.4	58.3	66.7
	S.C.	48.6	45.4	38.8	38.4	30.2	51.1	48.6	41.8	41.6	32.0	53.5	51.7	44.8	44.8	33.8
	K.W.	4.97	5.01	4.99	5.05	5.10	5.14	5.17	5.15	5.22	5.26	5.31	5.33	5.32	5.39	5.42
105 / 83	T.C.	44.5	44.3	44.1	50.1	57.4	46.5	45.1	44.7	50.2	58.2	48.6	46.0	45.4	50.3	59.1
	S.C.	44.5	41.6	35.9	36.5	27.7	46.5	43.9	38.2	39.0	29.4	48.6	46.0	40.4	41.4	31.1
	K.W.	5.66	5.68	5.66	5.71	5.75	5.83	5.84	5.82	5.88	5.91	5.99	6.00	5.99	6.04	6.07
115 / 89	T.C.	40.5	39.2	38.4	43.6	51.1	42.1	39.9	38.5	43.0	51.4	43.8	40.5	38.6	42.5	51.7
	S.C.	40.5	37.9	33.2	34.6	25.2	42.1	39.3	34.7	36.4	26.9	43.8	40.5	36.2	38.1	28.5
	K.W.	6.33	6.34	6.31	6.35	6.39	6.49	6.50	6.47	6.52	6.55	6.66	6.66	6.63	6.68	6.71
125 / 95	T.C.	36.5	34.1	32.7	37.1	44.9	37.7	34.6	32.3	35.9	44.6	39.0	35.0	31.8	34.8	44.3
	S.C.	36.5	34.1	30.4	32.8	22.8	37.7	34.6	31.2	33.8	24.4	39.0	35.0	31.8	34.8	25.9
	K.W.	7.00	6.99	6.97	6.99	7.02	7.16	7.15	7.12	7.16	7.18	7.32	7.31	7.28	7.32	7.34

HEATING PERFORMANCE DATA - 2 TON										
PACKAGED UNIT MODEL NO		PHG4A24								
AIR TEMP. ENTERING OUTDOOR UNIT	AIR TEMP. ENTERING INDOOR COIL	ID CFM								
		600			800			1000		
		MBH	COP	KW	MBH	COP	KW	MBH	COP	KW
60	60	28.1	4.56	1.80	29.3	5.06	1.69	30.5	5.63	1.58
	70	26.7	3.92	1.99	27.8	4.34	1.87	29.0	4.82	1.76
	80	25.3	3.39	2.18	26.4	3.75	2.05	27.5	4.16	1.93
47	60	23.4	4.00	1.71	24.1	4.31	1.63	24.9	4.66	1.56
	70	22.3	3.42	1.91	23.0	3.70	1.82	23.7	4.00	1.73
	80	21.3	2.96	2.10	21.9	3.20	2.00	22.5	3.46	1.90
40	60	20.7	3.61	1.67	21.4	3.87	1.61	22.0	4.16	1.54
	70	19.8	3.09	1.87	20.4	3.32	1.79	21.0	3.58	1.71
	80	18.8	2.66	2.06	19.4	2.87	1.97	20.0	3.10	1.88
30	60	17.1	3.08	1.62	17.6	3.28	1.57	18.2	3.48	1.53
	70	16.7	2.69	1.80	17.0	2.83	1.75	17.3	2.98	1.69
	80	16.2	2.38	1.99	16.3	2.47	1.93	16.4	2.57	1.86
17	60	13.6	2.57	1.54	13.9	2.65	1.52	14.1	2.75	1.50
	70	12.7	2.14	1.73	12.9	2.22	1.69	13.1	2.31	1.66
	80	11.8	1.80	1.91	12.0	1.87	1.87	12.2	1.95	1.82
10	60	12.2	2.36	1.51	12.1	2.37	1.49	12.1	2.38	1.48
	70	11.4	1.97	1.68	11.3	1.99	1.66	11.3	2.01	1.63
	80	10.5	1.65	1.86	10.4	1.67	1.82	10.4	1.70	1.79

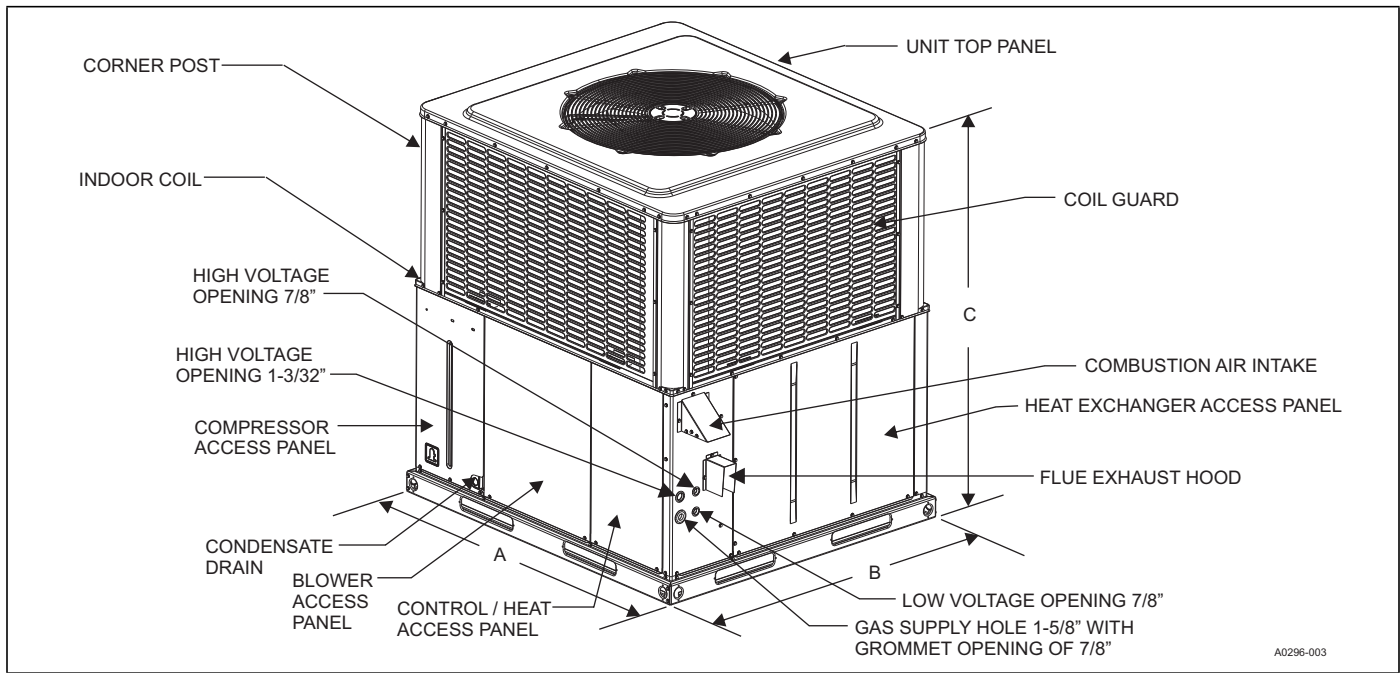
HEATING PERFORMANCE DATA - 2.5 TON										
PACKAGED UNIT MODEL NO		PHG4A30								
AIR TEMP. ENTERING OUTDOOR UNIT	AIR TEMP. ENTERING INDOOR COIL	ID CFM								
		800			1000			1200		
		MBH	COP	KW	MBH	COP	KW	MBH	COP	KW
60	60	34.6	4.82	2.10	35.6	5.05	2.06	36.6	5.29	2.02
	70	33.3	4.19	2.32	34.2	4.40	2.27	35.0	4.62	2.22
	80	32.0	3.67	2.55	32.8	3.86	2.48	33.5	4.05	2.41
47	60	29.1	4.13	2.06	29.6	4.27	2.03	30.1	4.41	1.99
	70	27.7	3.55	2.27	28.2	3.68	2.23	28.7	3.81	2.20
	80	26.2	3.07	2.49	26.7	3.19	2.44	27.2	3.31	2.40
40	60	25.5	3.69	2.02	26.1	3.82	2.00	26.7	3.95	1.97
	70	24.3	3.15	2.25	24.8	3.27	2.21	25.3	3.39	2.18
	80	23.0	2.71	2.48	23.5	2.82	2.43	23.9	2.93	2.38
30	60	21.2	3.17	1.95	21.4	3.22	1.94	21.6	3.26	1.93
	70	20.3	2.74	2.16	20.5	2.78	2.14	20.7	2.83	2.13
	80	19.3	2.38	2.37	19.5	2.42	2.35	19.7	2.47	2.32
17	60	16.3	2.55	1.86	16.1	2.51	1.87	15.9	2.47	1.88
	70	14.3	2.00	2.10	14.5	2.03	2.08	14.5	2.06	2.06
	80	12.4	1.55	2.33	12.8	1.63	2.29	13.2	1.71	2.24
10	60	13.7	2.20	1.81	13.6	2.16	1.84	13.6	2.13	1.86
	70	12.7	1.84	2.01	12.5	1.81	2.03	12.4	1.77	2.04
	80	11.7	1.54	2.21	11.4	1.51	2.21	11.2	1.47	2.22

HEATING PERFORMANCE DATA - 3 TON										
PACKAGED UNIT MODEL NO		PHG4B36								
AIR TEMP. ENTERING OUTDOOR UNIT	AIR TEMP. ENTERING INDOOR COIL	ID CFM								
		1000			1200			1400		
		MBH	COP	KW	MBH	COP	KW	MBH	COP	KW
60	60	41.6	4.67	2.60	42.7	4.87	2.56	43.8	5.08	2.52
	70	39.9	4.08	2.86	40.9	4.25	2.81	41.9	4.42	2.77
	80	38.2	3.58	3.11	39.1	3.73	3.06	40.0	3.88	3.01
47	60	35.3	4.14	2.49	35.8	4.23	2.47	36.3	4.33	2.45
	70	33.8	3.59	2.75	34.2	3.67	2.72	34.7	3.76	2.69
	80	32.3	3.13	3.01	32.7	3.21	2.97	33.0	3.29	2.93
40	60	31.5	3.76	2.45	32.0	3.83	2.44	32.4	3.90	2.42
	70	30.1	3.26	2.70	30.5	3.33	2.68	31.0	3.40	2.66
	80	28.7	2.84	2.95	29.1	2.91	2.92	29.5	2.97	2.90
30	60	26.8	3.29	2.38	27.0	3.31	2.38	27.2	3.33	2.39
	70	25.3	2.82	2.62	25.6	2.85	2.62	25.8	2.88	2.62
	80	23.9	2.43	2.87	24.1	2.47	2.86	24.4	2.50	2.84
17	60	20.1	2.54	2.31	20.3	2.54	2.33	20.4	2.54	2.35
	70	18.7	2.16	2.52	18.4	2.11	2.54	18.0	2.06	2.56
	80	17.3	1.84	2.74	16.5	1.75	2.76	15.7	1.65	2.77
10	60	17.6	2.28	2.25	17.6	2.26	2.28	17.7	2.23	2.31
	70	16.1	1.90	2.48	16.3	1.89	2.50	16.4	1.89	2.52
	80	14.7	1.59	2.70	14.9	1.59	2.72	15.0	1.60	2.74

HEATING PERFORMANCE DATA - 3.5 TON										
PACKAGED UNIT MODEL NO		PHG4B42								
AIR TEMP. ENTERING OUTDOOR UNIT	AIR TEMP. ENTERING INDOOR COIL	ID CFM								
		1200			1400			1600		
		MBH	COP	KW	MBH	COP	KW	MBH	COP	KW
60	60	48.1	4.38	3.21	49.1	4.36	3.29	50.1	4.33	3.38
	70	46.0	3.84	3.50	46.9	3.83	3.58	47.8	3.82	3.65
	80	43.9	3.38	3.79	44.7	3.38	3.86	45.4	3.38	3.92
47	60	40.1	3.83	3.06	40.7	3.75	3.16	41.2	3.68	3.27
	70	38.0	3.32	3.34	38.5	3.27	3.44	39.0	3.22	3.54
	80	35.9	2.89	3.63	36.3	2.86	3.71	36.8	2.83	3.80
40	60	35.3	3.41	3.02	35.7	3.31	3.15	36.1	3.22	3.27
	70	33.2	2.90	3.35	33.4	2.82	3.46	33.6	2.75	3.57
	80	31.1	2.47	3.67	31.1	2.41	3.77	31.1	2.35	3.87
30	60	25.5	2.52	2.95	27.9	2.65	3.08	30.3	2.76	3.20
	70	25.8	2.32	3.24	26.4	2.30	3.36	27.0	2.27	3.47
	80	26.1	2.16	3.53	25.0	2.00	3.64	23.8	1.86	3.74
17	60	21.6	2.19	2.87	22.0	2.13	3.02	22.5	2.08	3.16
	70	20.0	1.86	3.14	19.8	1.76	3.28	19.6	1.68	3.41
	80	18.4	1.57	3.41	17.5	1.45	3.53	16.7	1.33	3.65
10	60	17.6	1.80	2.85	17.0	1.65	3.01	16.4	1.51	3.16
	70	16.7	1.58	3.09	16.0	1.44	3.24	15.3	1.31	3.38
	80	15.8	1.39	3.32	14.9	1.26	3.46	14.1	1.14	3.60

HEATING PERFORMANCE DATA - 4 TON										
PACKAGED UNIT MODEL NO		PHG4B48								
AIR TEMP. ENTERING OUTDOOR UNIT	AIR TEMP. ENTERING INDOOR COIL	ID CFM								
		1400			1600			1800		
		MBH	COP	KW	MBH	COP	KW	MBH	COP	KW
60	60	56.5	4.87	3.39	57.8	4.95	3.41	59.0	5.03	3.43
	70	54.9	4.29	3.74	56.0	4.37	3.74	57.0	4.46	3.74
	80	53.3	3.80	4.09	54.2	3.89	4.07	55.1	3.98	4.05
47	60	48.4	4.33	3.27	49.2	4.37	3.29	49.9	4.42	3.30
	70	46.7	3.77	3.62	47.4	3.82	3.62	48.1	3.87	3.63
	80	45.0	3.32	3.97	45.6	3.36	3.96	46.2	3.41	3.95
40	60	43.3	3.94	3.21	43.8	3.96	3.23	44.3	3.98	3.25
	70	40.5	3.36	3.52	41.7	3.44	3.55	42.9	3.51	3.57
	80	37.8	2.88	3.84	39.7	3.00	3.86	41.5	3.12	3.89
30	60	37.5	3.50	3.13	37.0	3.40	3.18	36.6	3.31	3.23
	70	35.2	2.93	3.51	34.7	2.88	3.52	34.2	2.83	3.53
	80	32.9	2.47	3.88	32.3	2.45	3.86	31.8	2.42	3.84
17	60	28.4	2.71	3.06	28.2	2.66	3.09	28.0	2.61	3.13
	70	27.2	2.33	3.41	27.0	2.30	3.43	26.9	2.27	3.46
	80	26.0	2.02	3.76	25.9	2.00	3.77	25.8	1.99	3.79
10	60	25.8	2.53	2.98	25.5	2.43	3.05	25.1	2.34	3.12
	70	24.1	2.13	3.30	24.0	2.09	3.36	24.0	2.05	3.41
	80	22.4	1.80	3.62	22.6	1.80	3.66	22.9	1.81	3.70

HEATING PERFORMANCE DATA - 5 TON										
PACKAGED UNIT MODEL NO		PHG4B60								
AIR TEMP. ENTERING OUTDOOR UNIT	AIR TEMP. ENTERING INDOOR COIL	ID CFM								
		1600			1800			2000		
		MBH	COP	KW	MBH	COP	KW	MBH	COP	KW
60	60	70.2	4.50	4.55	71.2	4.54	4.59	72.2	4.57	4.61
	70	67.6	3.94	5.01	68.4	3.98	5.03	69.1	4.02	5.03
	80	65.0	3.48	5.46	65.5	3.51	5.46	66.1	3.56	5.44
47	60	58.4	3.98	4.28	58.7	3.93	4.36	59.0	3.88	4.44
	70	56.3	3.46	4.76	56.5	3.44	4.80	56.8	3.42	4.86
	80	54.1	3.03	5.23	54.3	3.03	5.25	54.6	3.03	5.26
40	60	52.5	3.69	4.17	52.8	3.61	4.28	53.0	3.54	4.38
	70	49.8	3.15	4.63	50.4	3.13	4.71	51.1	3.13	4.78
	80	47.0	2.70	5.09	48.1	2.73	5.13	49.1	2.77	5.17
30	60	38.2	2.87	3.89	38.2	2.77	4.03	38.2	2.68	4.15
	70	39.5	2.63	4.38	37.9	2.49	4.46	36.3	2.35	4.51
	80	40.9	2.45	4.88	37.7	2.25	4.88	34.4	2.06	4.88
17	60	29.5	2.33	3.71	32.5	2.41	3.94	35.4	2.48	4.17
	70	27.6	1.92	4.19	30.5	2.04	4.36	33.4	2.16	4.53
	80	25.6	1.59	4.69	28.5	1.74	4.78	31.5	1.88	4.88
10	60	30.1	2.31	3.79	29.9	2.21	3.96	29.8	2.12	4.11
	70	28.4	1.98	4.19	28.2	1.90	4.32	28.0	1.83	4.46
	80	26.8	1.71	4.57	26.5	1.65	4.69	26.2	1.59	4.82



UNIT DIMENSIONS AND ACCESS LOCATIONS

Model	Dimensions		
	A	B	C
PHG4A24	51-1/4	35-3/4	47
PHG4A30	51-1/4	35-3/4	49
PHG4B36	51-1/4	45-3/4	49
PHG4B42	51-1/4	45-3/4	49
PHG4B48	51-1/4	45-3/4	53
PHG4B60	51-1/4	45-3/4	55

UNIT CLEARANCES^{1 2}

Direction	Distance (in.)	Direction	Distance (in.)
Top ³	36	Power Entry (Right Side)	36
Side Opposite Ducts	36	Left Side	24
Duct Panel	0	Bottom ⁴	1

1. A 1" clearance must be provided between any combustible material and the supply air duct work.
2. The products of combustion must not be allowed to accumulate within a confined space and recirculate.
3. Units must be installed outdoors. Overhanging structures or shrubs must not obstruct outdoor air discharge outlet.
4. Units may be installed on combustible materials made from wood or class A, B, or C roof covering materials only if factory base rails are left in place as shipped.

INDOOR BLOWER SPECIFICATIONS

Model	Motor				
	HP	RPM	EFF.	SF	Frame
PHG4A24	1/2	Variable	0.8	1.0	48
PHG4A30	1/2	Variable	0.8	1.0	48
PHG4B36	1/2	Variable	0.8	1.0	48
PHG4B42	3/4	Variable	0.8	1.0	48
PHG4B48	3/4	Variable	0.8	1.0	48
PHG4B60	1	Variable	0.8	1.0	48

SOUND PERFORMANCE - COOLING

Model (Tons)	Sound Rating ¹ dB (A)	Octave Band Centerline Frequency (Hz)						
		125	250	500	1000	2000	4000	8000
PHG4A24	72.4	61.8	60.5	63.1	62.5	57.1	51.8	44.0
PHG4A30	68.7	58.3	58.8	56.6	57.3	54.0	48.4	43.0
PHG4B36	73.2	61.8	63.2	60.5	64.4	58.9	53.4	45.9
PHG4B42	73.6	62.4	59.0	61.5	64.9	60.3	55.8	50.6
PHG4B48	74.0	62.0	62.0	60.9	64.7	60.1	56.6	49.2
PHG4B60	74.1	65.9	61.8	60.8	63.5	58.7	55.5	48.3

1. Rated in accordance with AHRI Standard 270

SOUND PERFORMANCE - HEATING

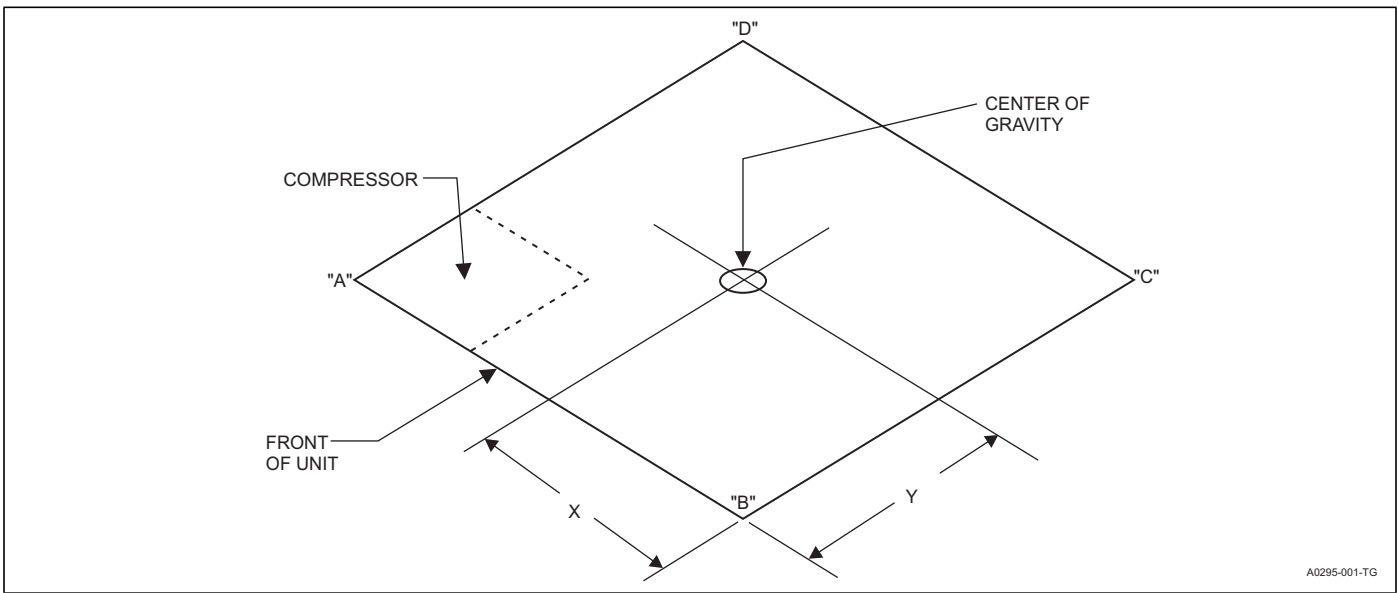
Model (Tons)	Sound Rating ¹ dB (A)	Octave Band Centerline Frequency (Hz)						
		125	250	500	1000	2000	4000	8000
PHG4A24	70.3	64.7	59.2	59.8	58.1	54.3	49.2	43.2
PHG4A30	69.0	57.5	58.0	58.0	63.8	53.2	47.6	49.7
PHG4B36	72.8	60.1	62.5	60.4	64.5	58.8	53.0	46.0
PHG4B42	73.6	62.4	58.3	61.5	65.7	59.7	54.4	47.9
PHG4B48	74.6	66.0	63.3	61.1	64.6	60.2	56.4	48.9
PHG4B60	73.7	61.6	59.4	60.5	63.6	58.7	55.1	51.4

1. Rated in accordance with AHRI Standard 270

ELECTRICAL DATA - PHG4

Model	Voltage	Compressor			OD Fan Motor	Supply Blower Motor	MCA ¹ (Amps)	Max Fuse ² / Breaker ³ Size (Amps)
		RLA	LRA	MCC	FLA	FLA		
24050	208/230-1-60	10.0	62.0	16.0	0.7	2.6	15.8	25
24075	208/230-1-60	10.0	62.0	16.0	0.7	3.8	17.0	25
30050	208/230-1-60	14.0	73.0	22.0	0.6	2.6	20.7	30
30075	208/230-1-60	14.0	73.0	22.0	0.6	3.8	21.9	35
36065	208/230-1-60	17.0	79.0	26.0	1.7	3.8	26.8	40
36100	208/230-1-60	17.0	79.0	26.0	1.7	5.4	28.4	45
42065, 42100	208/230-1-60	18.0	112.0	28.0	1.7	5.4	29.6	45
48065, 48100, 48125	208/230-1-60	22.0	117.0	34.0	1.7	5.4	34.6	50
60065, 60100, 60125	208/230-1-60	24.0	144.0	38.0	1.7	7.0	38.7	60

1. Minimum Circuit Ampacity
2. Maximum Over Current Protection per standard UL 1995
3. Fuse or HACR circuit breaker size field installed



WEIGHTS AND DIMENSIONS

Model	Weight (lb)		Center of Gravity		4 Point Load Location (lb)			
	Shipping	Operating	X	Y	A	B	C	D
PHG4A240502X1	399	394	28	15	131	101	86	76
PHG4A240752X1	409	404	28	15	135	103	86	80
PHG4A300502X1	454	449	28	15	155	108	96	90
PHG4A300752X1	458	453	28	15	161	102	90	100
PHG4B360652X1	503	498	29	14	176	122	104	96
PHG4B361002X1	510	505	29	14	178	123	109	95
PHG4B420652X1	537	532	29	14	190	132	112	98
PHG4B421002X1	539	534	29	14	191	133	109	101
PHG4B480652X1	556	551	28	14	199	137	106	109
PHG4B481002X1	564	559	28	14	194	141	117	107
PHG4B481252X1	569	564	29	14	193	146	126	99
PHG4B600652X1	582	577	29	14	199	151	127	100
PHG4B601002X1	586	581	28	14	201	152	123	105
PHG4B601252X1	593	588	27	15	202	151	125	110

AIRFLOW PERFORMANCE - SIDE DUCT APPLICATION

Model	Motor Speed	External Static Pressure (Inches WC)								
		0.1	0.2	0.3	0.4	0.5	0.6	0.7	0.8	1.0
		SCFM	SCFM	SCFM	SCFM	SCFM	SCFM	SCFM	SCFM	SCFM
PHG4A24050	Low (1)	732	667	624	567	517	470	415	369	277
	Low/Medium (2)	818	771	723	674	628	579	530	482	386
	Medium (3)	823	774	721	676	631	583	533	505	448
	Medium/High (4)	994	948	906	865	823	778	739	700	622
	High (5)	1148	1108	1071	1035	996	960	925	901	853
PHG4A24075	Low (1)	887	847	802	750	705	664	613	563	463
	Low/Medium (2)	978	941	898	850	803	759	713	667	575
	Medium (3)	1171	1114	1074	1039	993	949	906	864	780
	Medium/High (4)	1349	1297	1265	1224	1185	1146	1107	1063	975
	High (5)	1487	1462	1392	1331	1318	1281	1241	1201	1121
PHG4A30050	Low (1)	700	657	599	554	512	461	411	365	273
	Low/Medium (2)	906	868	825	779	735	692	650	608	524
	Medium (3)	992	951	911	868	826	787	747	712	642
	Medium/High (4)	1075	1032	1000	958	918	874	837	800	726
	High (5)	1136	1089	1053	1018	978	941	903	869	801
PHG4A30075	Low (1)	1076	1020	984	943	903	859	819	779	699
	Low/Medium (2)	1102	1048	1010	974	934	890	850	810	730
	Medium (3)	1191	1140	1112	1076	1038	1000	958	919	841
	Medium/High (4)	1201	1225	1187	1151	1118	1080	1041	1002	924
	High (5)	1370	1329	1283	1271	1209	1176	1143	1109	1041
PHG4B36065	Low (1)	1225	1174	1131	1090	1046	993	941	888	782
	Low/Medium (2)	1259	1209	1166	1126	1084	1032	980	928	824
	Medium (3)	1314	1271	1229	1186	1144	1097	1049	998	896
	Medium/High (4)	1348	1306	1259	1222	1179	1133	1086	1036	936
	High (5)	1506	1471	1403	1389	1345	1305	1262	1216	1124
PHG4B36100	Low (1)	1342	1302	1260	1217	1178	1134	1082	1034	938
	Low/Medium (2)	1425	1368	1332	1293	1251	1208	1163	1113	1013
	Medium (3)	1554	1503	1465	1423	1386	1346	1302	1257	1167
	Medium/High (4)	1658	1599	1588	1530	1495	1454	1414	1373	1291
	High (5)	1743	1697	1650	1604	1557	1511	1463	1418	1328
PHG4B42065	Low (1)	1315	1266	1229	1194	1156	1117	1080	1036	948
	Low/Medium (2)	1436	1382	1342	1304	1262	1220	1179	1131	1035
	Medium (3)	1458	1406	1365	1327	1286	1244	1203	1155	1059
	Medium/High (4)	1573	1523	1484	1445	1408	1367	1327	1279	1183
	High (5)	1743	1697	1650	1604	1557	1511	1463	1418	1328
PHG4B42100	Low (1)	1436	1382	1342	1304	1262	1220	1179	1131	1035
	Low/Medium (2)	1544	1492	1455	1416	1376	1336	1294	1248	1156
	Medium (3)	1573	1523	1484	1445	1408	1367	1327	1279	1183
	Medium/High (4)	1681	1640	1599	1557	1517	1478	1436	1393	1307
	High (5)	1743	1697	1650	1604	1557	1511	1463	1418	1328
PHG4B48065	Low (1)	1046	1009	980	946	915	878	844	779	649
	Low/Medium (2)	1295	1250	1213	1172	1133	1087	1045	964	802
	Medium (3)	1620	1564	1517	1466	1418	1360	1308	1206	1002
	Medium/High (4)	1798	1722	1669	1620	1572	1527	1480	1413	1280
	High (5)	2146	2085	2025	1960	1872	1862	1798	1735	1609
PHG4B48100	Low (1)	1620	1564	1517	1466	1418	1360	1308	1206	1002
	Low/Medium (2)	1694	1630	1580	1530	1482	1430	1380	1292	1116
	Medium (3)	1798	1722	1669	1620	1572	1527	1480	1413	1280
	Medium/High (4)	1835	1758	1703	1653	1604	1558	1511	1442	1304
	High (5)	2146	2085	2025	1960	1872	1862	1798	1735	1609

Continued on next page

AIRFLOW PERFORMANCE - SIDE DUCT APPLICATION (Continued)

Model	Motor Speed	External Static Pressure (Inches WC)								
		0.1	0.2	0.3	0.4	0.5	0.6	0.7	0.8	1.0
		SCFM	SCFM	SCFM	SCFM	SCFM	SCFM	SCFM	SCFM	SCFM
PHG4B48125	Low (1)	1620	1564	1517	1466	1418	1360	1308	1206	1002
	Low/Medium (2)	1798	1722	1669	1620	1572	1527	1480	1413	1280
	Medium (3)	1922	1863	1804	1754	1724	1658	1612	1559	1453
	Medium/High (4)	2001	1952	1890	1839	1820	1742	1696	1651	1561
	High (5)	2146	2085	2025	1960	1872	1862	1798	1735	1609
PHG4B60065	Low (1)	1073	1043	1009	988	963	941	917	892	842
	Low/Medium (2)	1329	1292	1250	1223	1192	1165	1136	1105	1043
	Medium (3)	2054	1998	1934	1890	1843	1801	1757	1710	1616
	Medium/High (4)	2195	2144	2098	2049	2003	1955	1883	1868	1838
	High (5)	2445	2388	2306	2293	2235	2178	2129	2077	1973
PHG4B60100	Low (1)	1730	1682	1628	1592	1552	1517	1479	1439	1359
	Low/Medium (2)	1858	1807	1749	1710	1667	1629	1589	1546	1460
	Medium (3)	2054	1998	1934	1890	1843	1801	1757	1710	1616
	Medium/High (4)	2195	2144	2098	2049	2003	1955	1883	1868	1838
	High (5)	2445	2388	2306	2293	2235	2178	2129	2077	1973
PHG4B60125	Low (1)	2063	2008	1943	1899	1851	1809	1763	1717	1625
	Low/Medium (2)	2130	2084	2032	1983	1927	1951	1860	1815	1725
	Medium (3)	2195	2144	2098	2049	2003	1955	1883	1868	1838
	Medium/High (4)	2275	2252	2169	2154	2112	2065	1989	1976	1950
	High (5)	2445	2388	2306	2293	2235	2178	2129	2077	1973

1. Airflow tested with dry coil conditions, without air filters, at 230 volts
2. Applications above 0.8" w.c. external static pressure are not recommended.
3. Brushless DC high efficiency standard ECM blower motor used for all indoor blower assemblies.
4. Minimal variations in airflow performance data results from operating at 208 volts. Data above may be used in those cases.
5. Heating applications tested at 0.50" w.c. esp, and cooling applications tested at 0.30" w.c. esp per standards.

AIRFLOW PERFORMANCE - BOTTOM DUCT APPLICATION

Model	Motor Speed	External Static Pressure (Inches WC)								
		0.1	0.2	0.3	0.4	0.5	0.6	0.7	0.8	1.0
		SCFM	SCFM	SCFM	SCFM	SCFM	SCFM	SCFM	SCFM	SCFM
PHG4A24050	Low (1)	754	710	665	611	560	491	445	391	283
	Low/Medium (2)	867	815	773	720	677	622	559	505	397
	Medium (3)	951	908	868	828	781	735	686	631	521
	Medium/High (4)	1024	982	942	902	861	817	775	721	613
	High (5)	1204	1159	1121	1085	1051	1013	975	938	864
PHG4A24075	Low (1)	899	869	827	782	734	685	630	575	465
	Low/Medium (2)	1033	960	924	879	834	787	735	685	585
	Medium (3)	1186	1133	1095	1056	1016	975	935	891	803
	Medium/High (4)	1357	1322	1284	1248	1211	1174	1127	1087	1007
	High (5)	1480	1439	1404	1367	1369	1299	1264	1226	1150
PHG4A30050	Low (1)	726	676	622	575	520	467	410	376	308
	Low/Medium (2)	928	886	841	795	745	706	658	607	505
	Medium (3)	1021	983	942	900	855	811	770	729	647
	Medium/High (4)	1109	1071	1029	995	949	908	864	826	750
	High (5)	1170	1134	1096	1061	1020	978	938	899	821
PHG4A30075	Low (1)	1076	1042	1009	969	930	890	849	808	726
	Low/Medium (2)	1104	1063	1025	987	947	908	869	830	752
	Medium (3)	1205	1170	1136	1098	1060	1025	985	943	859
	Medium/High (4)	1285	1251	1213	1179	1141	1104	1065	1027	951
	High (5)	1406	1375	1341	1306	1271	1236	1198	1163	1093

Continued on next page

AIRFLOW PERFORMANCE - BOTTOM DUCT APPLICATION (Continued)

Model	Motor Speed	External Static Pressure (Inches WC)								
		0.1	0.2	0.3	0.4	0.5	0.6	0.7	0.8	1.0
		SCFM	SCFM	SCFM	SCFM	SCFM	SCFM	SCFM	SCFM	SCFM
PHG4B36065	Low (1)	1231	1186	1146	1103	1069	1030	977	912	781
	Low/Medium (2)	1270	1225	1189	1140	1098	1046	1008	960	866
	Medium (3)	1317	1286	1245	1198	1151	1110	1064	1024	943
	Medium/High (4)	1358	1317	1275	1238	1197	1148	1105	1057	961
	High (5)	1517	1475	1447	1400	1357	1318	1275	1232	1146
PHG4B36100	Low (1)	1340	1299	1264	1224	1182	1182	1097	1049	953
	Low/Medium (2)	1409	1368	1334	1291	1253	1201	1173	1128	1038
	Medium (3)	1527	1492	1470	1419	1385	1343	1299	1250	1152
	Medium/High (4)	1663	1585	1594	1601	1521	1480	1440	1400	1320
	High (5)	1711	1677	1643	1600	1560	1503	1466	1425	1343
PHG4B42065	Low (1)	1332	1295	1263	1222	1185	1148	1110	1063	967
	Low/Medium (2)	1457	1419	1376	1340	1299	1253	1215	1160	1051
	Medium (3)	1451	1412	1371	1339	1296	1257	1211	1165	1072
	Medium/High (4)	1568	1524	1491	1464	1425	1383	1345	1296	1200
	High (5)	1711	1677	1643	1600	1560	1503	1466	1425	1343
PHG4B42100	Low (1)	1455	1414	1379	1335	1294	1254	1212	1160	1056
	Low/Medium (2)	1566	1532	1492	1455	1416	1372	1333	1280	1174
	Medium (3)	1565	1530	1491	1458	1419	1381	1336	1290	1198
	Medium/High (4)	1675	1641	1606	1578	1535	1495	1455	1412	1326
	High (5)	1711	1677	1643	1600	1560	1503	1466	1425	1343
PHG4B48065	Low (1)	1032	999	970	938	910	879	843	808	737
	Low/Medium (2)	1272	1236	1204	1165	1129	1081	1037	968	829
	Medium (3)	1611	1574	1518	1494	1439	1405	1357	1266	1083
	Medium/High (4)	1892	1777	1771	1701	1639	1617	1565	1489	1336
	High (5)	2131	2058	1998	1949	1892	1840	1788	1728	1608
PHG4B48100	Low (1)	1598	1548	1502	1454	1410	1362	1307	1251	1139
	Low/Medium (2)	1663	1612	1568	1522	1476	1422	1370	1297	1152
	Medium (3)	1789	1733	1670	1650	1596	1578	1535	1483	1379
	Medium/High (4)	1931	1814	1808	1736	1673	1650	1597	1519	1362
	High (5)	2131	2058	1998	1949	1892	1840	1788	1728	1608
PHG4B48125	Low (1)	1598	1548	1502	1454	1410	1362	1307	1251	1139
	Low/Medium (2)	1766	1703	1656	1611	1566	1518	1469	1419	1319
	Medium (3)	1912	1875	1805	1787	1750	1713	1672	1636	1564
	Medium/High (4)	2105	2014	2006	1931	1898	1845	1793	1739	1631
	High (5)	2131	2058	1998	1949	1892	1840	1788	1728	1608
PHG4B60065	Low (1)	1026	999	989	950	907	907	886	862	816
	Low/Medium (2)	1263	1230	1192	1165	1167	1101	1099	1071	1015
	Medium (3)	1987	1933	1861	1817	1820	1715	1725	1651	1504
	Medium/High (4)	2114	2050	2047	1974	1899	1889	1920	1866	1758
	High (5)	2369	2308	2249	2183	2126	2088	2034	1990	1902
PHG4B60100	Low (1)	1655	1612	1596	1531	1461	1462	1429	1391	1316
	Low/Medium (2)	1766	1720	1667	1629	1632	1539	1537	1498	1421
	Medium (3)	1987	1933	1861	1817	1820	1715	1725	1651	1504
	Medium/High (4)	2114	2050	2047	1974	1899	1889	1920	1866	1758
	High (5)	2369	2308	2249	2183	2126	2088	2034	1990	1902
PHG4B60125	Low (1)	1973	1924	1905	1826	1743	1744	1703	1660	1574
	Low/Medium (2)	2024	1983	1937	1889	1886	1843	1799	1759	1679
	Medium (3)	2123	2075	2019	1970	1978	1862	1849	1804	1714
	Medium/High (4)	2191	2154	2117	2075	2002	1995	2028	1974	1866
	High (5)	2369	2308	2249	2183	2126	2088	2034	1990	1902

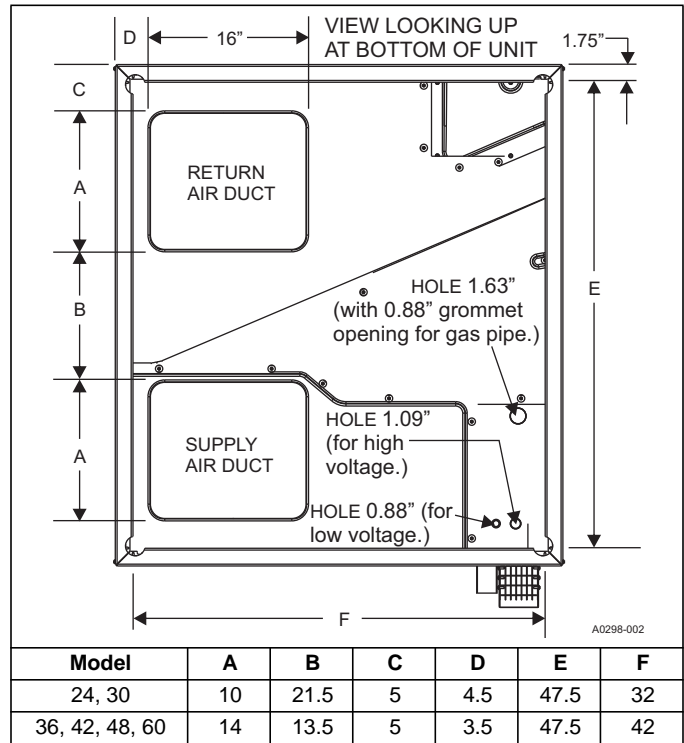
1. Airflow tested with dry coil conditions, without air filters, at 230 volts
2. Applications above 0.8" w.c. external static pressure are not recommended.
3. Brushless DC high efficiency standard ECM blower motor used for all indoor blower assemblies
4. Minimal variations in airflow performance data results from operating at 208 volts. Data above may be used in those cases.
5. Heating applications tested at 0.50" w.c. esp, and cooling applications tested at 0.30" w.c. esp per standards

ADDITIONAL STATIC RESISTANCE

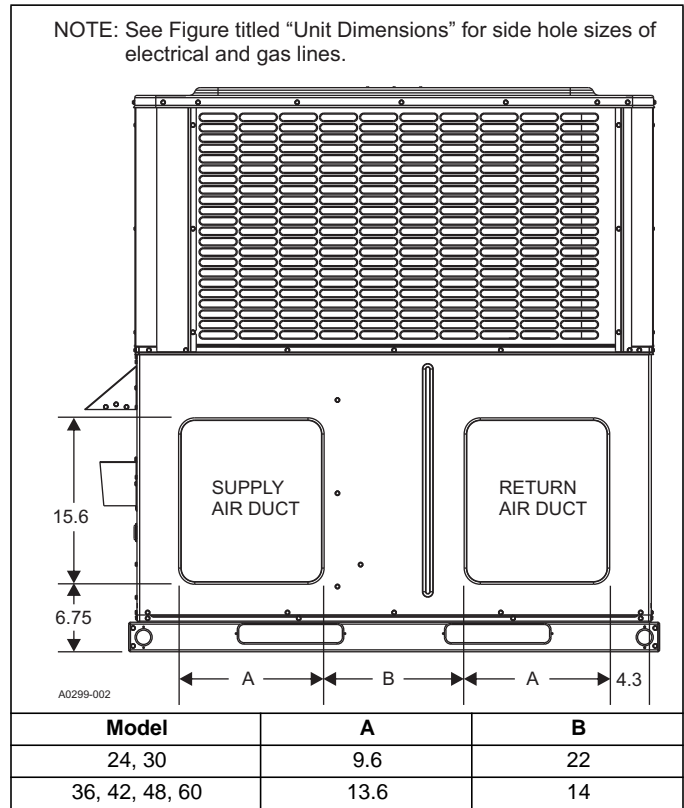
Size (Tons)	CFM	Wet Indoor Coil	Economizer ¹	Filter/Frame Kit
24 (2.0)	500	0.01	0.00	0.01
	600	0.01	0.00	0.02
	700	0.01	0.00	0.04
	800	0.02	0.01	0.06
	900	0.03	0.01	0.08
	1000	0.04	0.01	0.10
	1100	0.05	0.01	0.13
30 (2.5)	700	0.01	0.00	0.04
	800	0.02	0.01	0.06
	900	0.03	0.01	0.08
	1000	0.04	0.01	0.10
	1100	0.05	0.01	0.13
	1200	0.06	0.02	0.16
36 (3.0)	700	0.01	0.00	0.04
	800	0.02	0.01	0.06
	900	0.03	0.01	0.08
	1000	0.04	0.01	0.10
	1100	0.05	0.01	0.13
	1200	0.06	0.02	0.16
	1300	0.07	0.03	0.17
42 (3.5)	1100	0.02	0.02	0.04
	1200	0.03	0.02	0.04
	1300	0.04	0.02	0.05
	1400	0.05	0.03	0.05
	1500	0.06	0.04	0.06
	1600	0.07	0.04	0.07
	1700	0.07	0.04	0.08
	1800	0.08	0.04	0.09
	1900	0.09	0.05	0.10
	2000	0.09	0.05	0.11
	48 (4.0)	1100	0.02	0.02
1200		0.03	0.02	0.04
1300		0.04	0.02	0.05
1400		0.05	0.03	0.05
1500		0.06	0.04	0.06
1600		0.07	0.04	0.07
1700		0.07	0.04	0.08
1800		0.08	0.04	0.09
1900		0.09	0.05	0.10
2000		0.09	0.05	0.11
60 (5.0)	1100	0.02	0.02	0.04
	1200	0.03	0.02	0.04
	1300	0.04	0.02	0.05
	1400	0.05	0.03	0.05
	1500	0.06	0.04	0.06
	1600	0.07	0.04	0.07
	1700	0.07	0.04	0.08
	1800	0.08	0.04	0.09
	1900	0.09	0.05	0.10
	2000	0.09	0.05	0.11

1. The pressure drop through the economizer is greater for 100% outdoor air than for 100% return air. If the resistance of the return air duct is less than 0.25 IWG, the unit delivers less CFM during full economizer operation.
2. Filter pressure drop based on standard filter media tested at velocities not to exceed 300 ft/min.

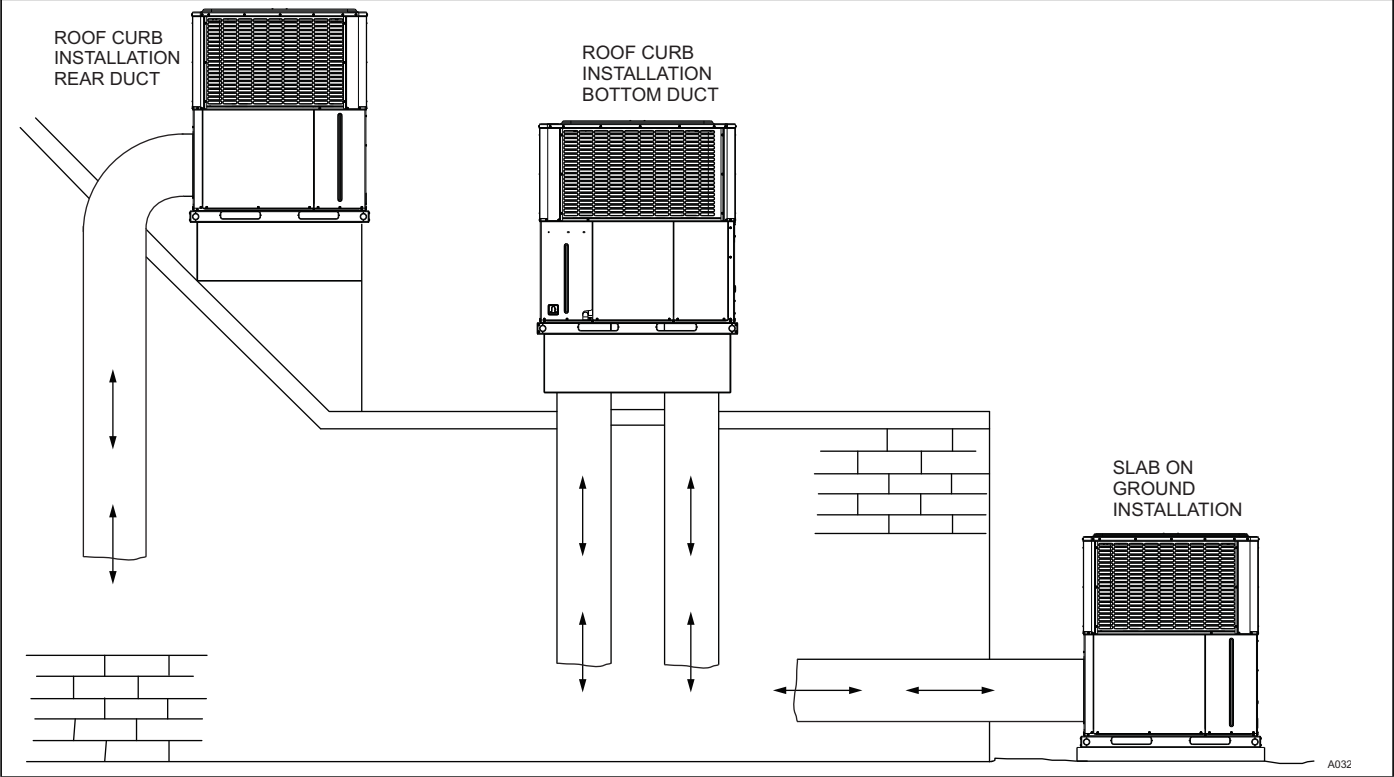
BOTTOM DUCT DIMENSIONS (Inches)



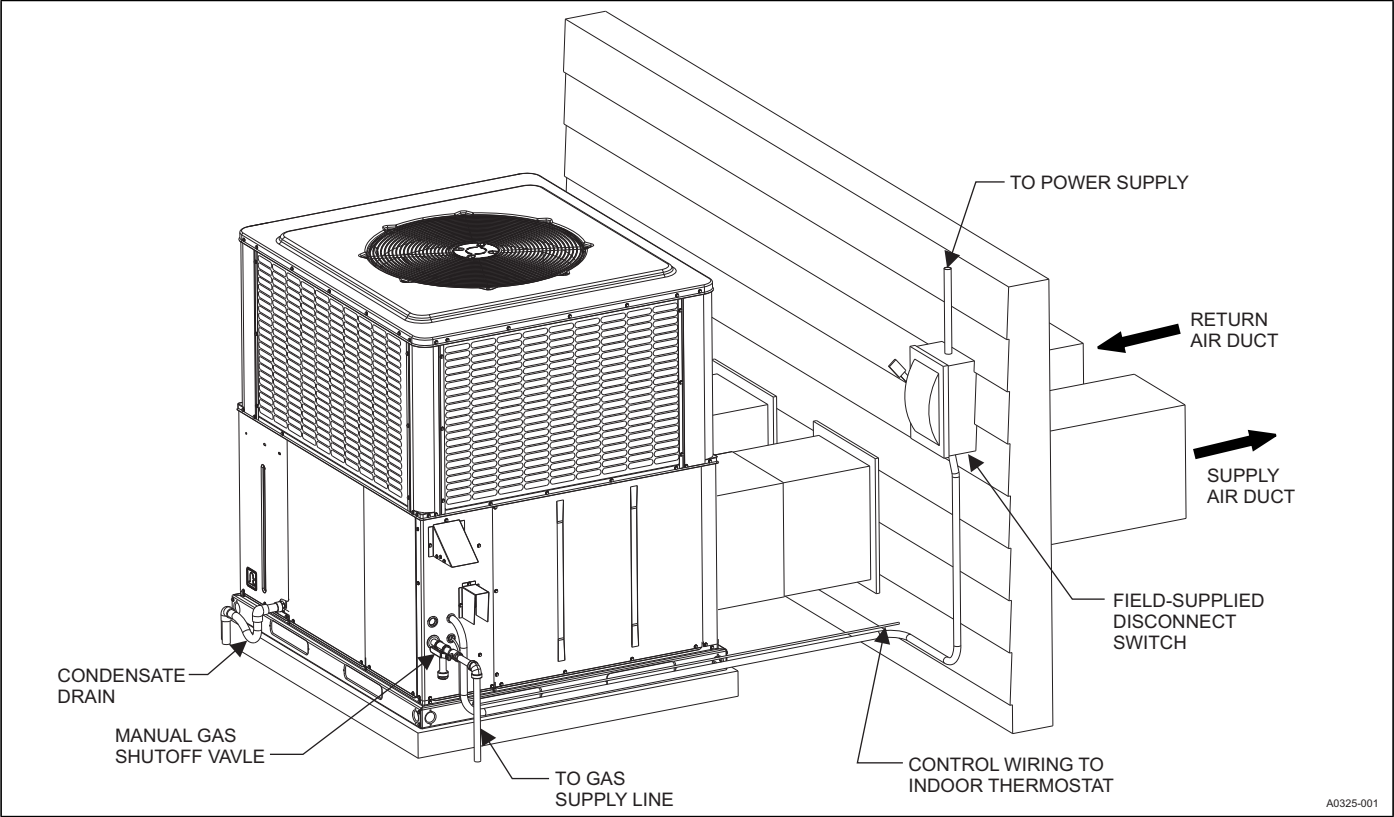
REAR DUCT DIMENSIONS (Inches)



UNIT TYPICAL DUCT APPLICATIONS



UNIT TYPICAL SLAB ON GROUND INSTALLATION



UNIT TYPICAL ROOF CURB INSTALLATION

